

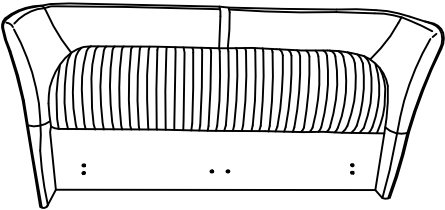
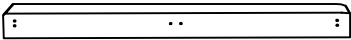


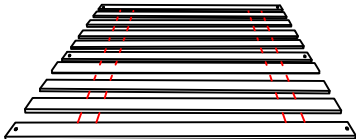
Assembly Instruction



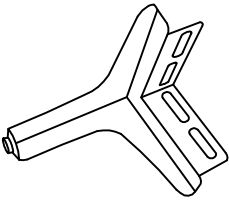



759-120

759-122

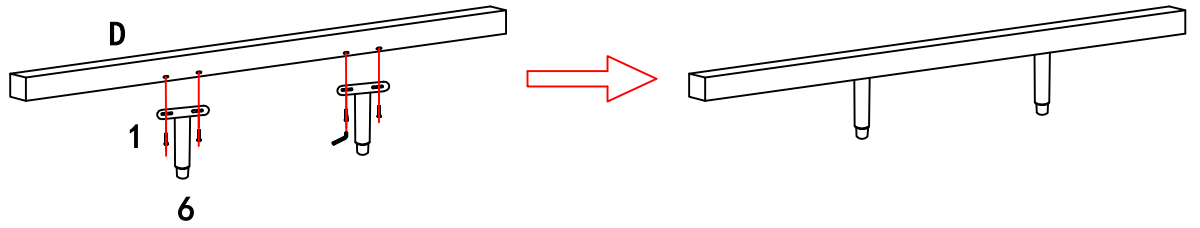
759-145

759-146

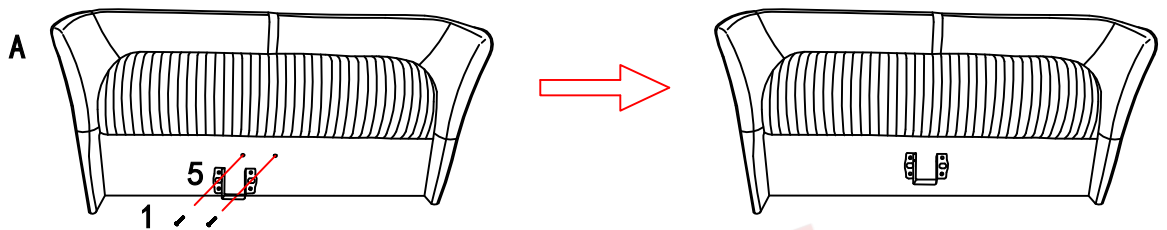
Number	Parts Identification	Quantities
A		1
B		1
C		2
D		1
E		1

Number	Hardware List	Quantities
1		40
2		8
3		2
4		4+2
5		2
6		2

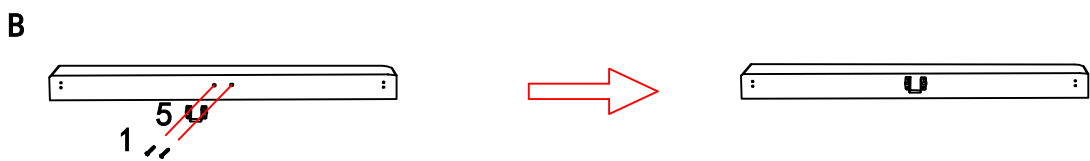
Step 1 :



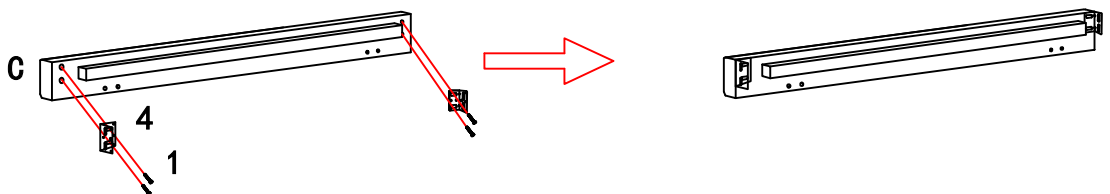
a: Use the Big Screw ① to secure the Adjustable support feet ⑥ to the Middle Slat[D].



b: Use the Big Screw ① to secure the U-shaped angle Bracket ⑤ to the Headboard[A](Location as in Pic)

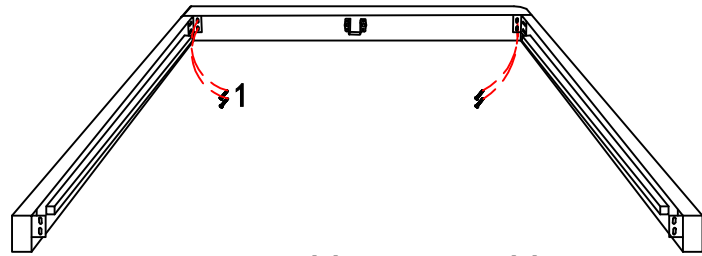


c: Use the Big Screw ① to secure the U-shaped angle Bracket ⑤ to the Footboard[B](Location as in Pic)



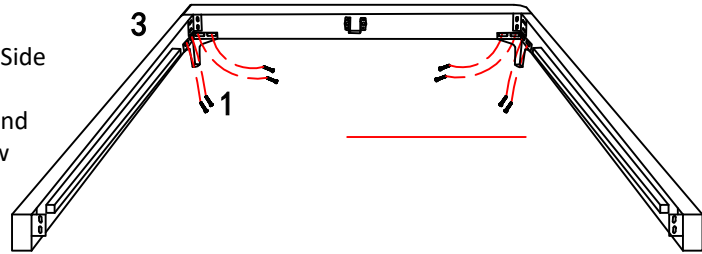
d: Use the Big Screw ① to secure the L-shaped angle Bracket ④ to the Side Rail[C](Location as in Pic)
Note that the long upper and lower adjustable slots in the L-shaped angle Bracket ④ are reserved for mounting Big Screw ① to properly align the Footboard[B] and the Side Rail[C].

Step 2:



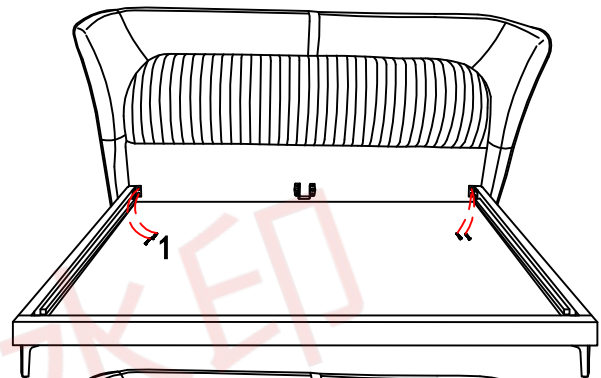
e: Secure the assembled Footboard [B] to the Side Rail [C] with Big Screw ①

f: Secure the Footboard & Side Rail Support ③ to the assembled footboard [B] and side rails [C] with Big Screw ①.

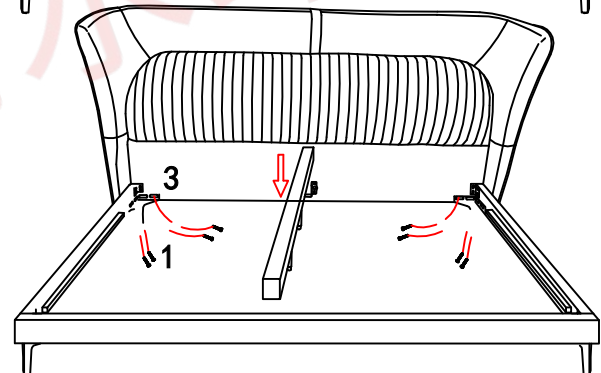


Step 3:

g: Secure the Side Rail [C] and Headboard [A] with Big Screw ①.



h: 1. Secure the Footboard & Side Rail Support ③ to the Headboard [A] and side rails [C] with Big Screw ①.



Step 4:

h: 2. Put the assembled Middle Slat [D] into the U-shaped angle Bracket ⑤ and lock it with 2 Small Screws ②.

i: Secure the Slat [F] (bandage secured) with Small Screws ②.

