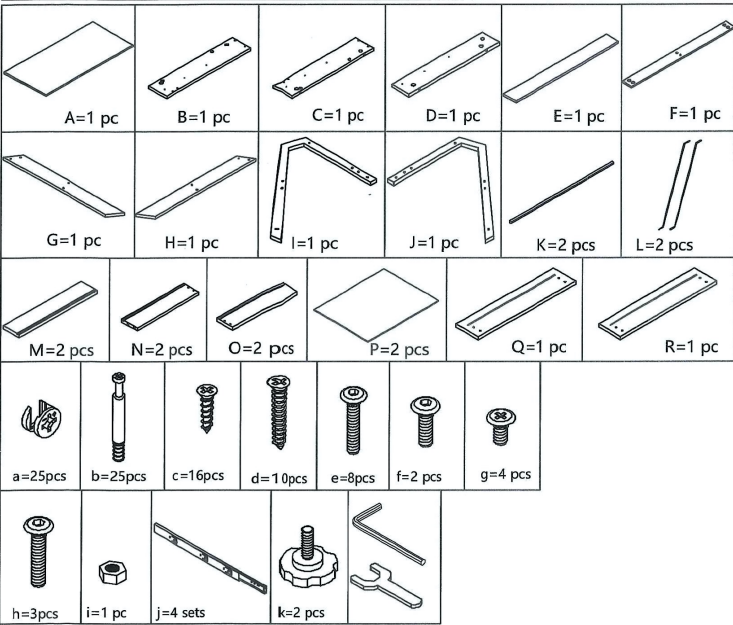


INSTRUCTION

Item:NCD1602

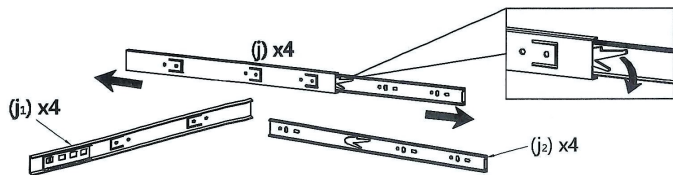


Parts & Hardware

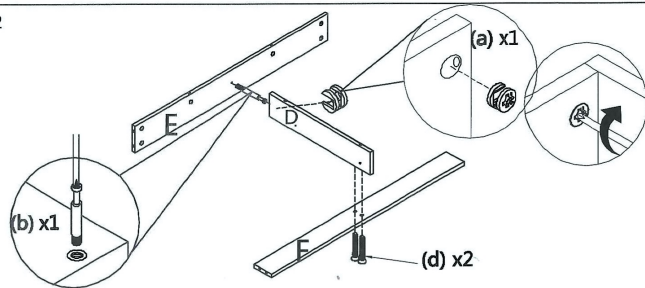


Assembly

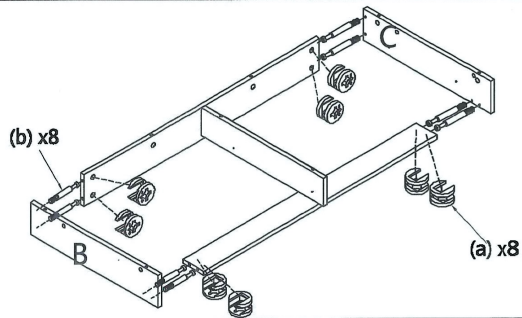
Step 1



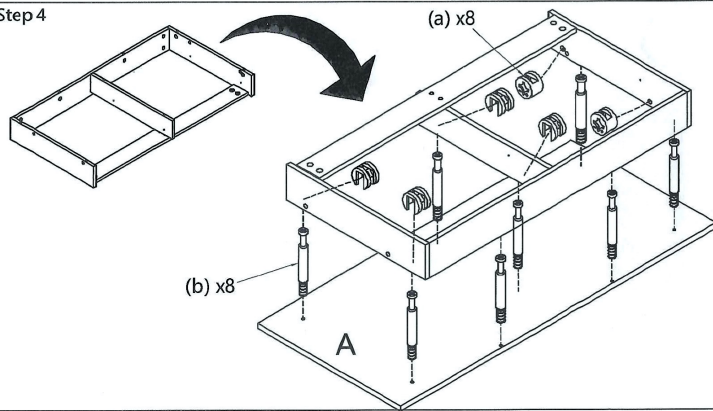
Step 2



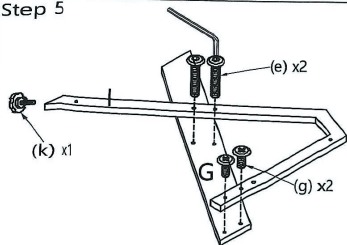
Step 3



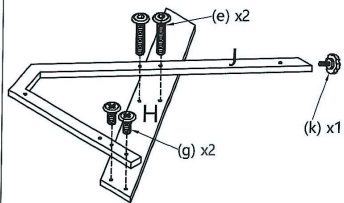
Step 4



Step 5

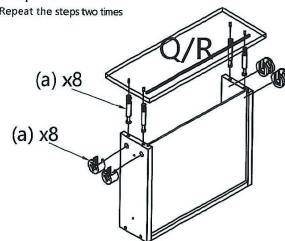


Step 6



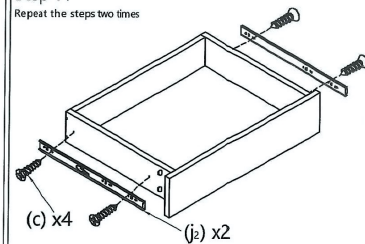
Step 10

Repeat the steps two times

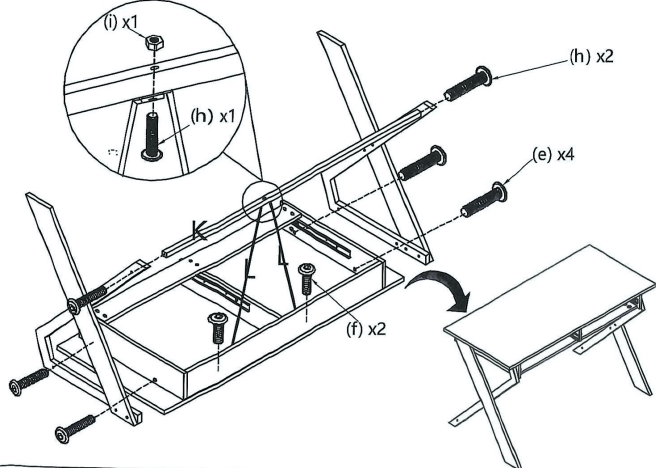


Step 11

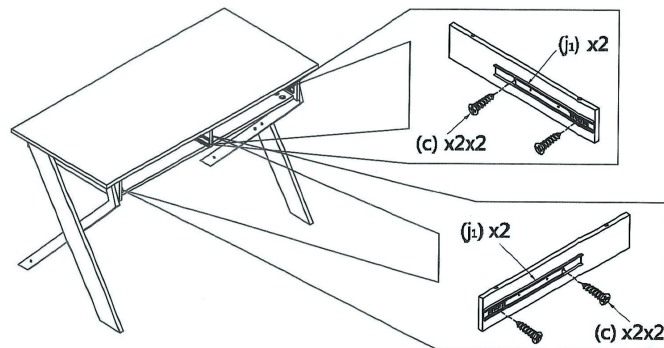
Repeat the steps two times



Step 7

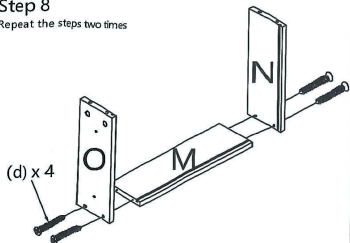


Step 12



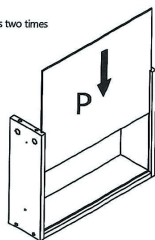
Step 8

Repeat the steps two times

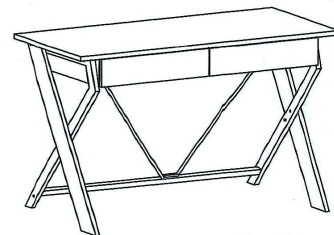
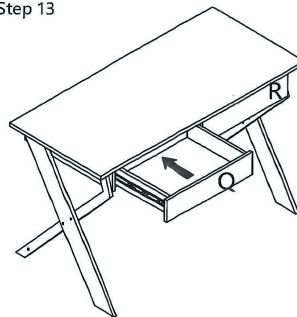


Step 9

Repeat the steps two times



Step 13



Complete