


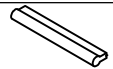
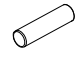
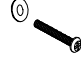






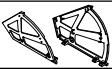
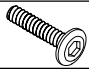




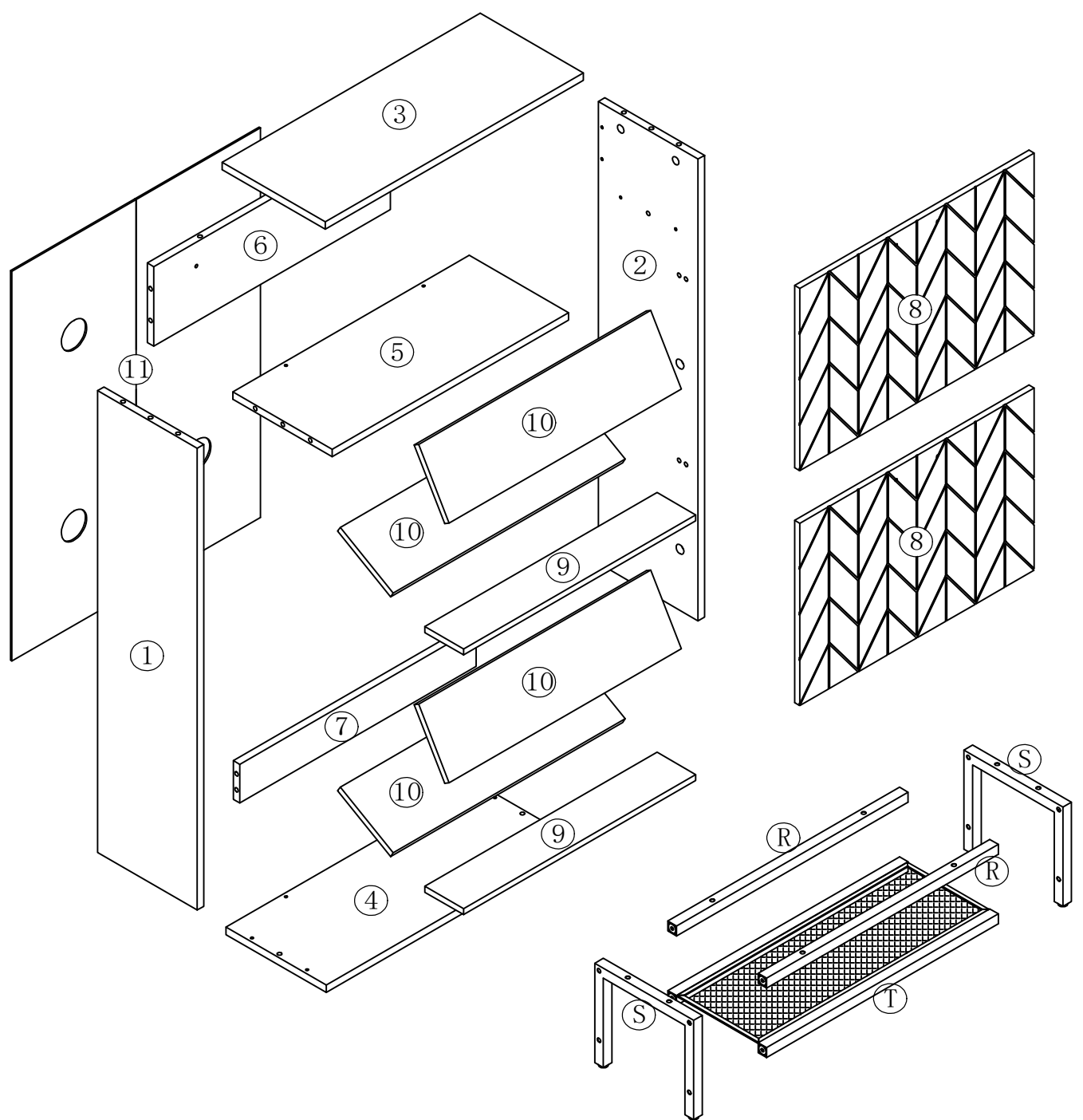


ASSEMBLY INSTRUCTION

HANA 116 Shoe rack

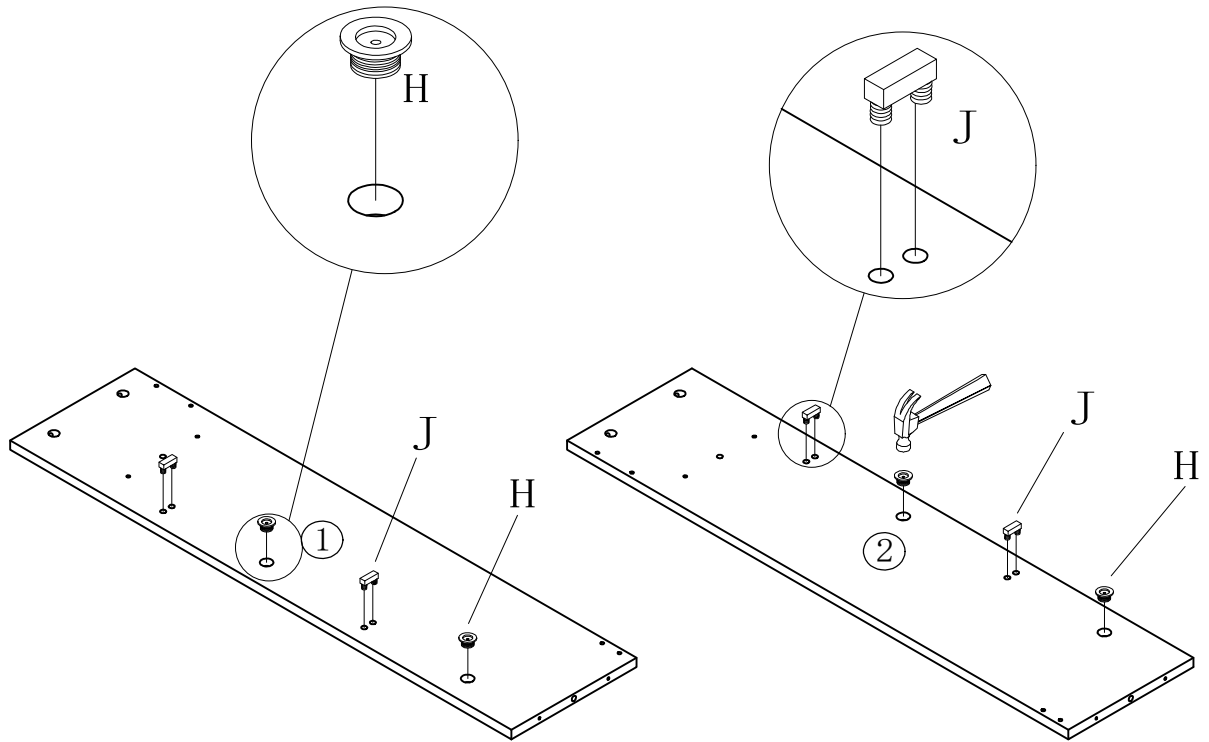
A		Ø 15x12	18	PCS	J			4	PCS
B		Ø 7x35	18	PCS	K		96MM	2	PCS
C		Ø 8x30	6	PCS	L		M4x18	4	PCS
D		Ø 4x40	8	PCS	M		Ø 4x45	2	PCS
E		Ø 3.5x14	16	PCS	N		Ø7.8x38	2	PCS
F		Ø 4x16	12	PCS	O		M6x30	8	PCS
G			2	SETS	P		M6x40	8	PCS
H		Ø 18	4	PCS	Q		16MM	16	PCS
I		Ø 12	4	PCS	U			1	PC



STEP 1

Hx4

Jx4



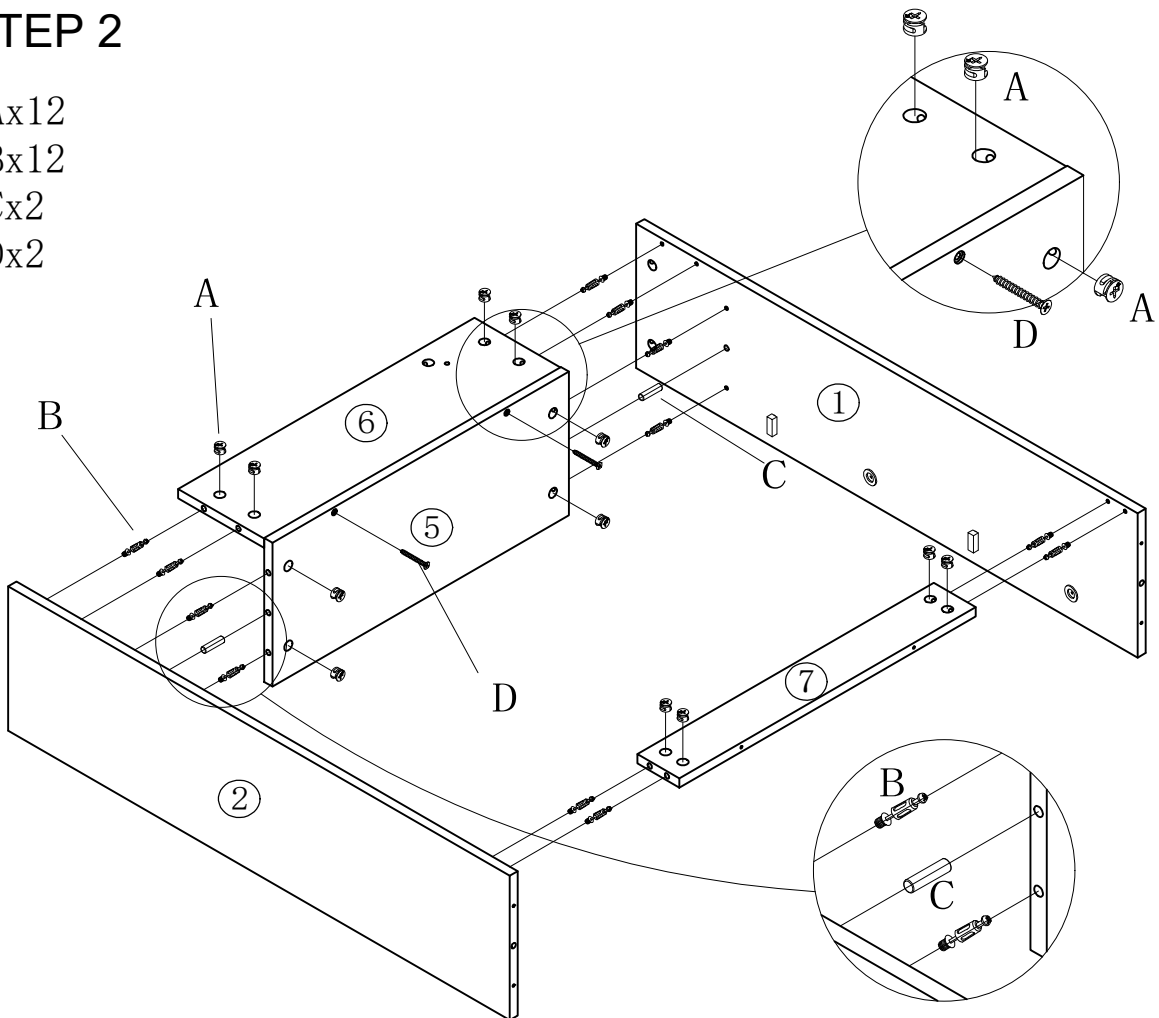
STEP 2

Ax12

Bx12

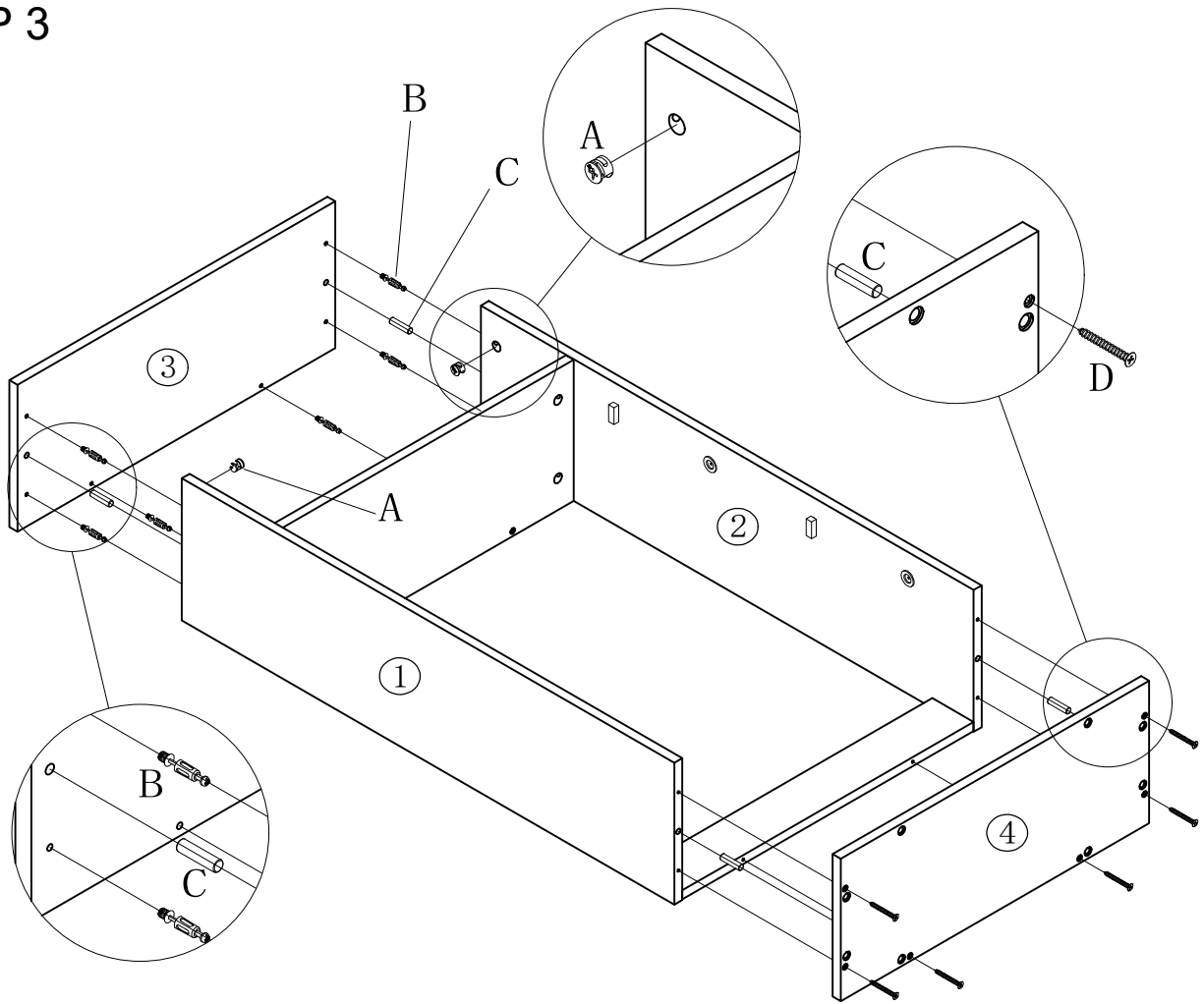
Cx2

Dx2



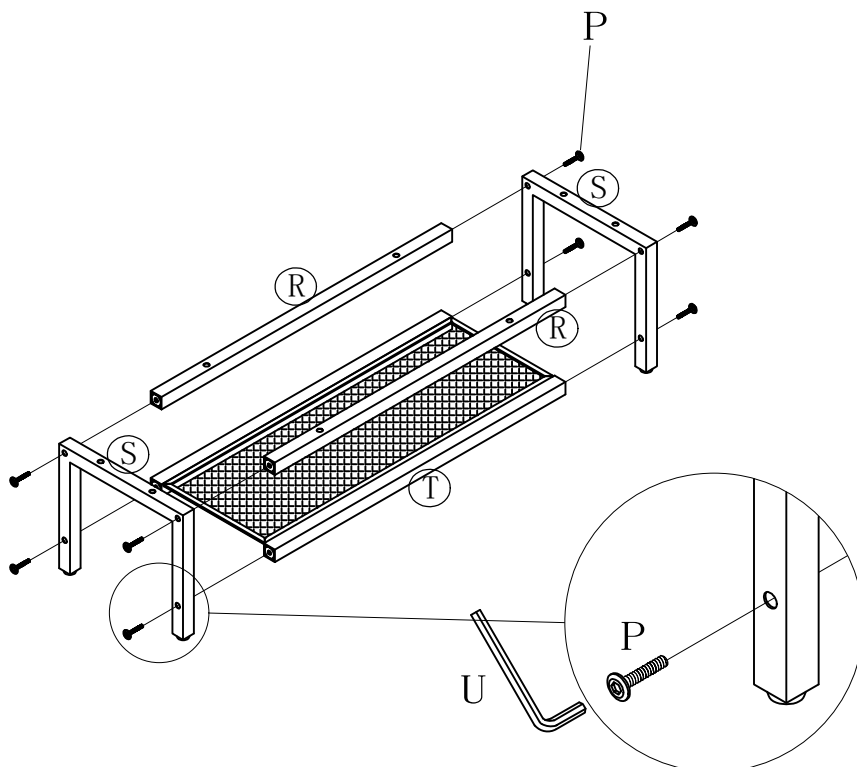
STEP 3

Ax4
Bx6
Cx4
Dx6



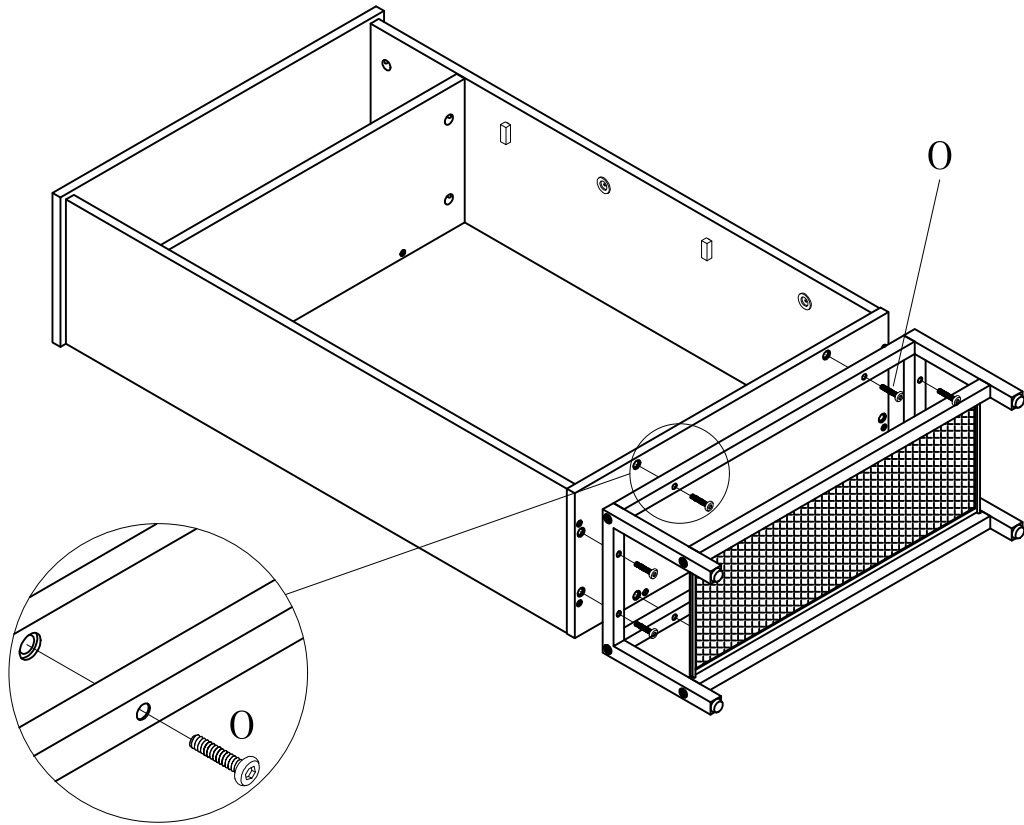
STEP 4

Px8
Sx2
Rx2
Tx1



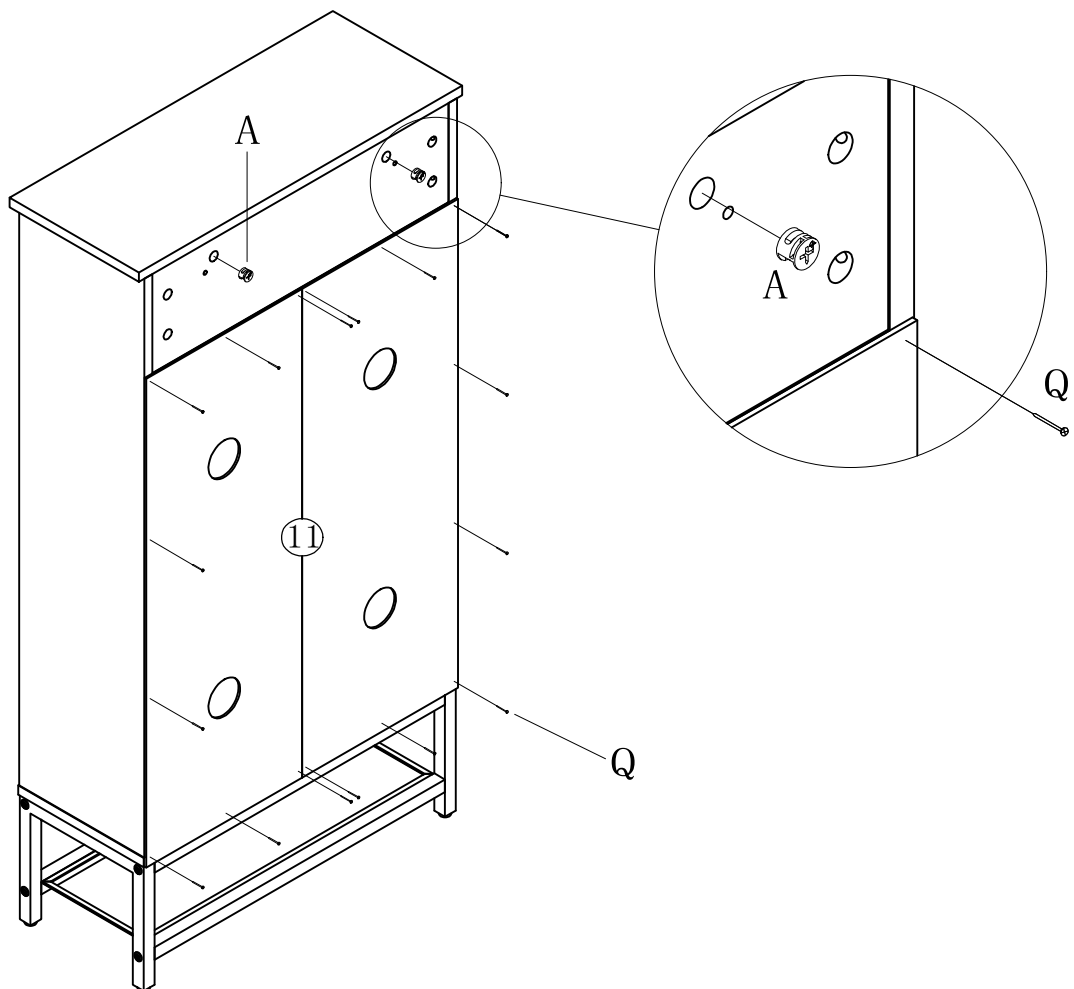
STEP 5

Ox8



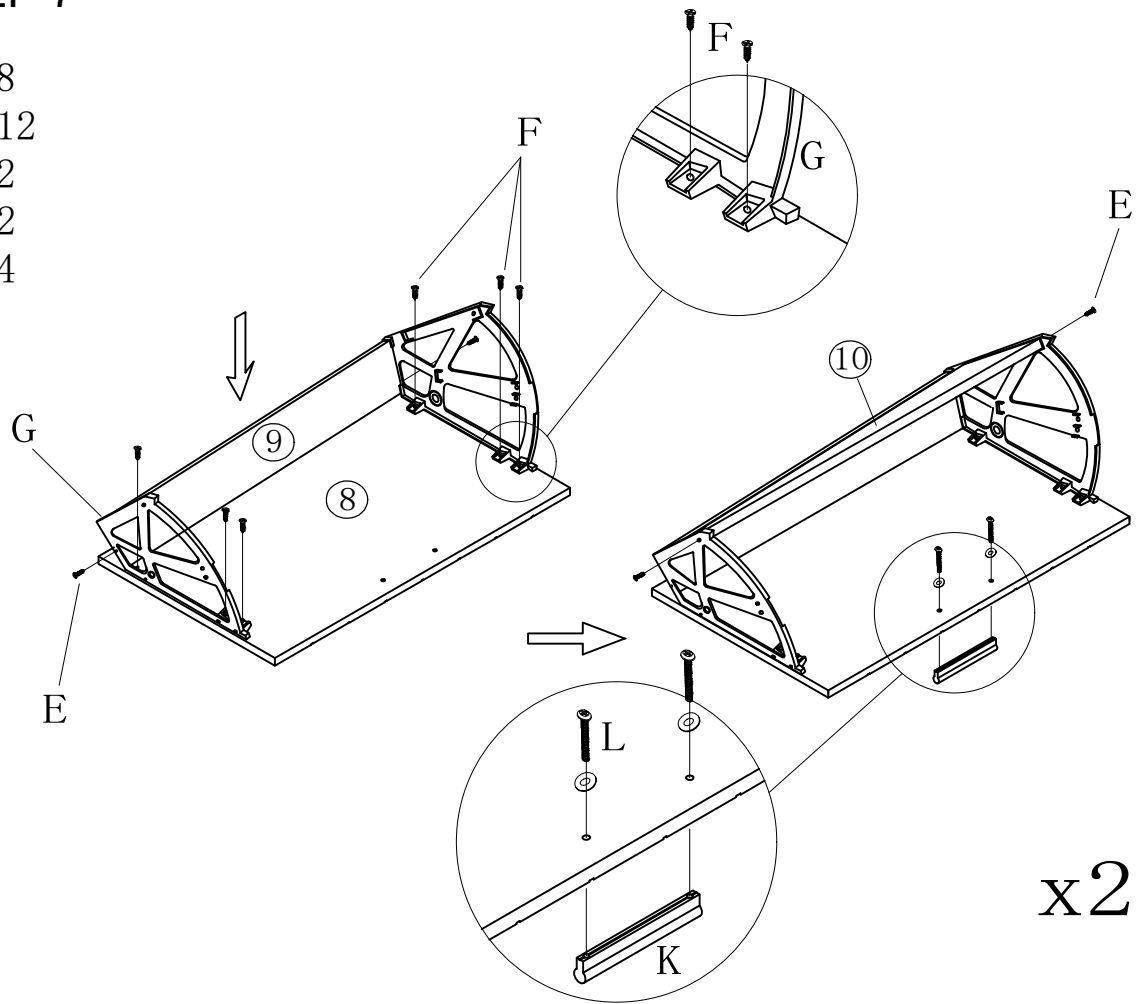
STEP 6

Ax2
Qx16



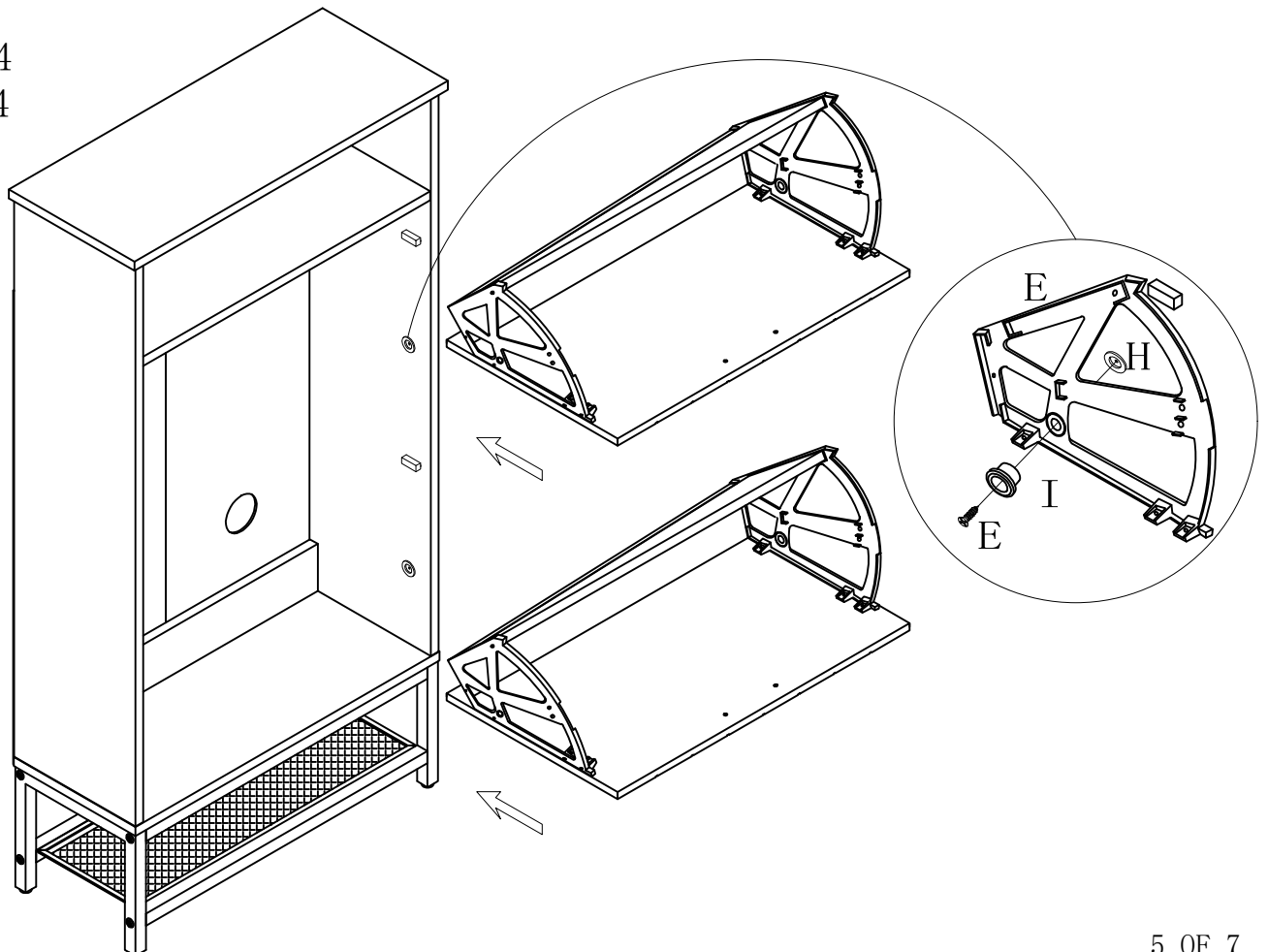
STEP 7

Ex8
Fx12
Gx2
Kx2
Lx4



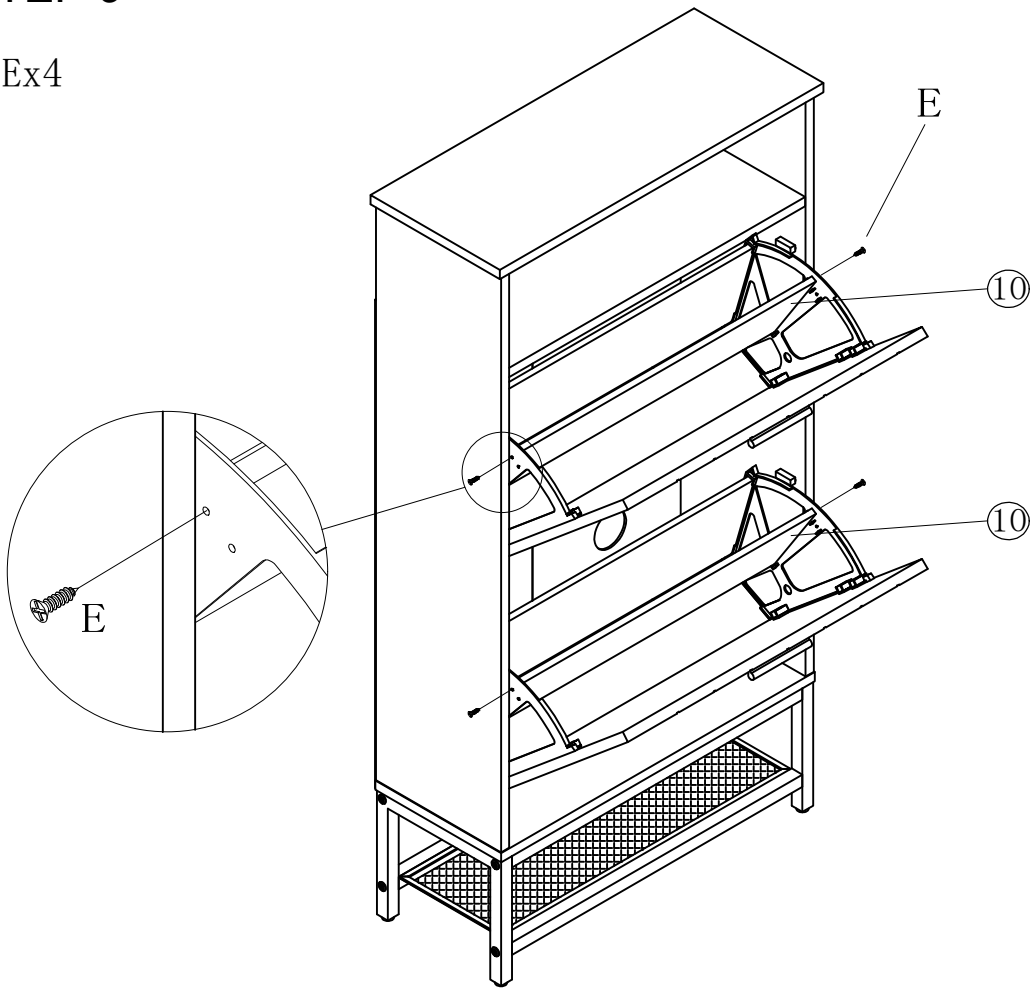
STEP 8

Ex4
Ix4



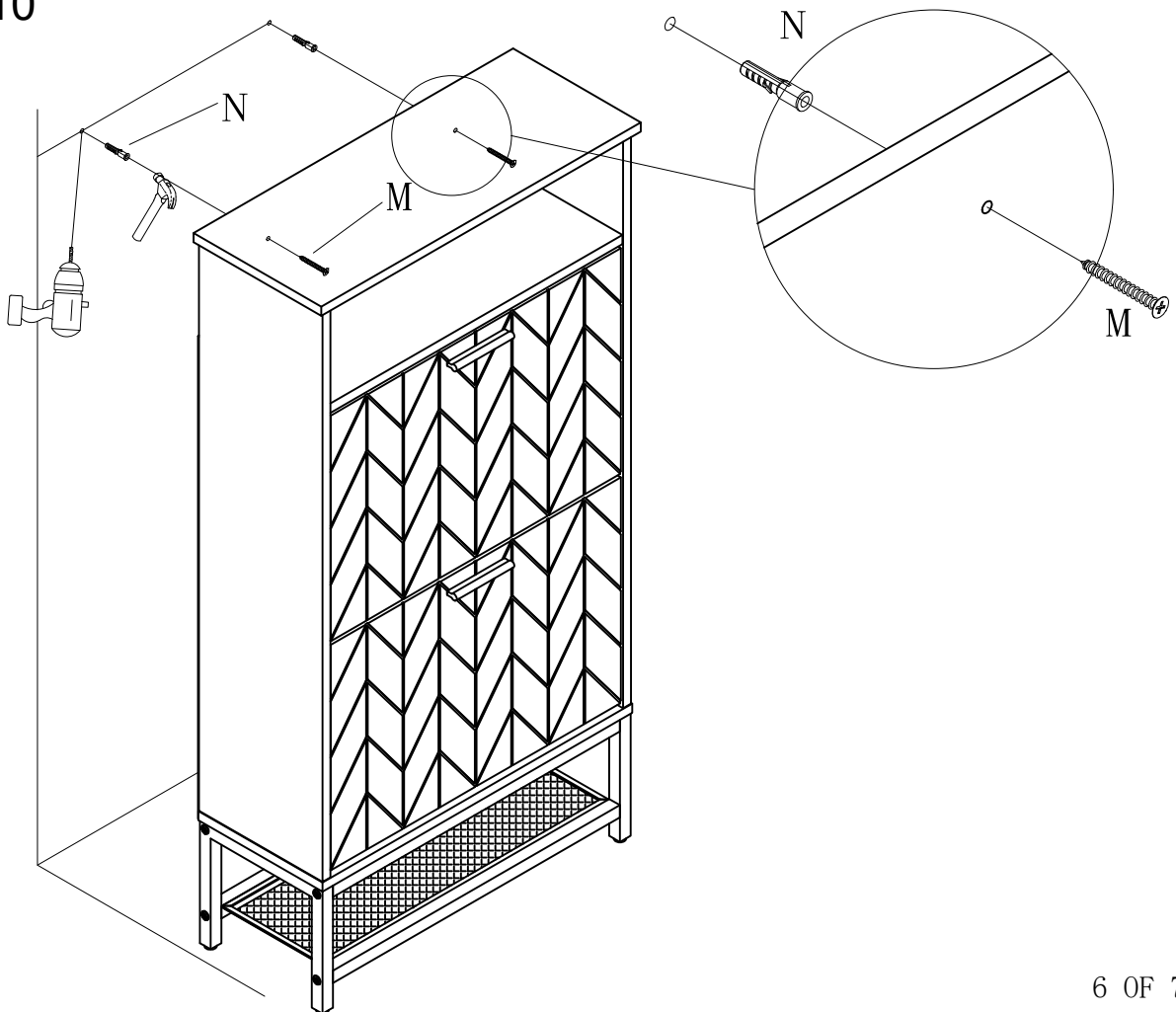
STEP 9

Ex4



STEP 10

Mx2
Nx2



FINISH

