




ASSEMBLY INSTRUCTIONS

MODEL :LWM(CV)18108SNB1

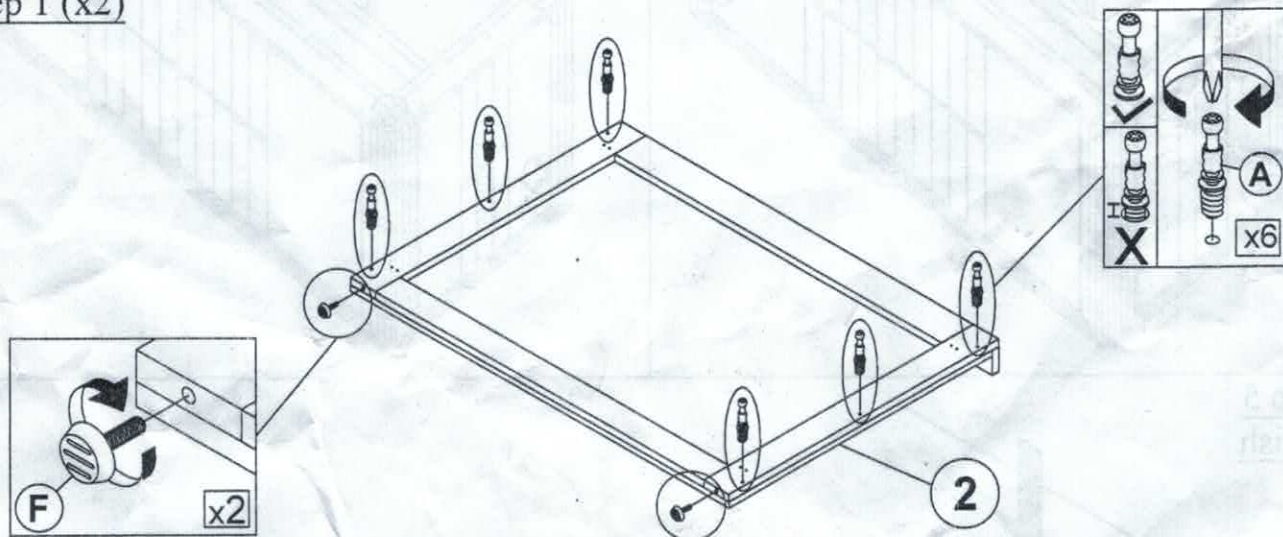


COMPLETE ASSEMBLY

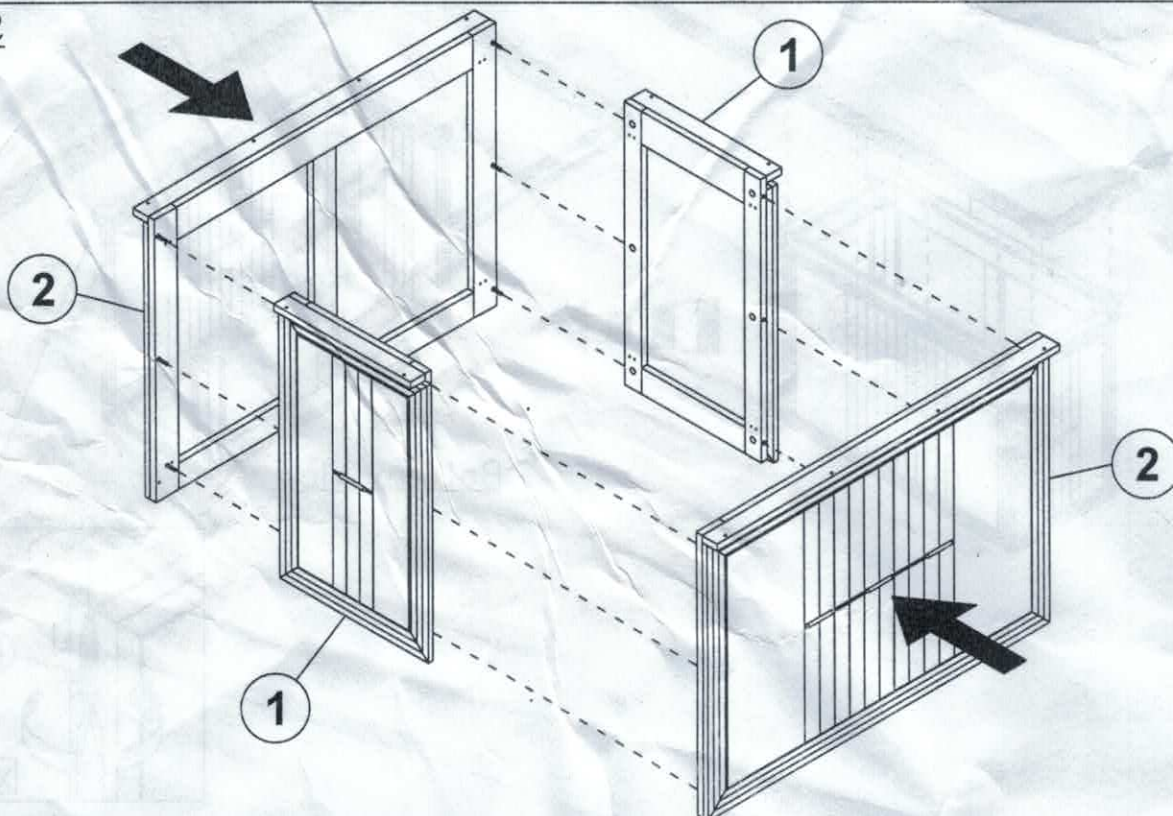
PART LIST		
NO	DESCRIPTION	QTY
1	Side Panel 	2pcs
2	Front Back panel 	2pcs
3	Table Top 	1pc

HARDWARE LIST		
NO	DESCRIPTION	QTY
A	Quick Fix Bolt 	12pcs
B	Quick Housing Ø15x12 	12pcs
C	CSK Screw M3.5 x 16 	32pcs
D	CSK Screw M4 x 30 	12pcs
E	L Bracket 	8pcs
F	Adjustable Leg 	4pcs

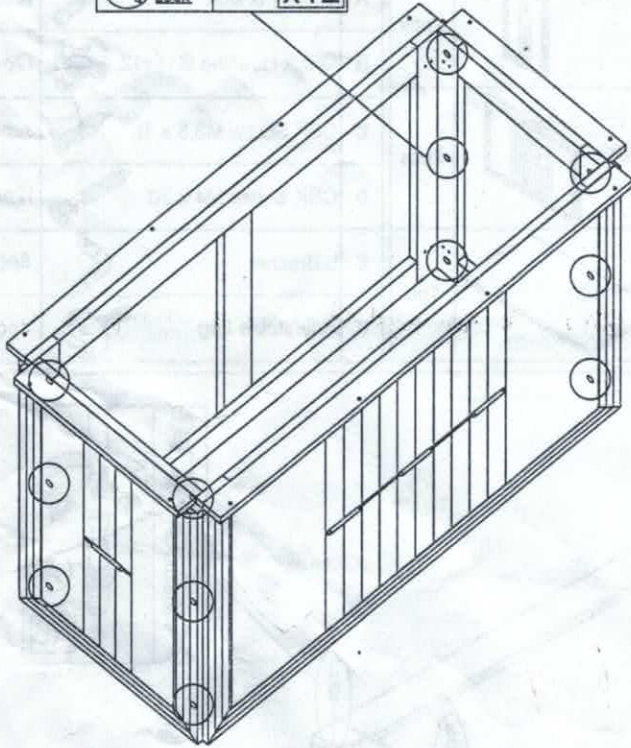
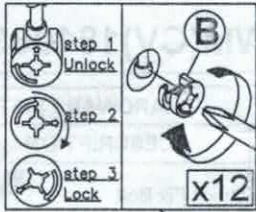
Step 1 (x2)



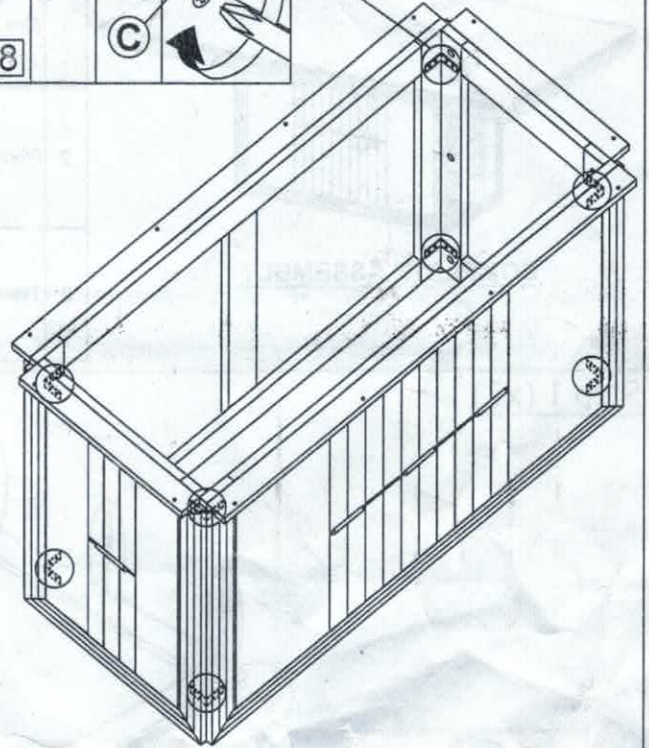
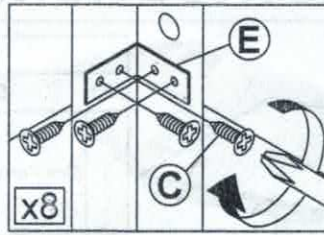
Step 2



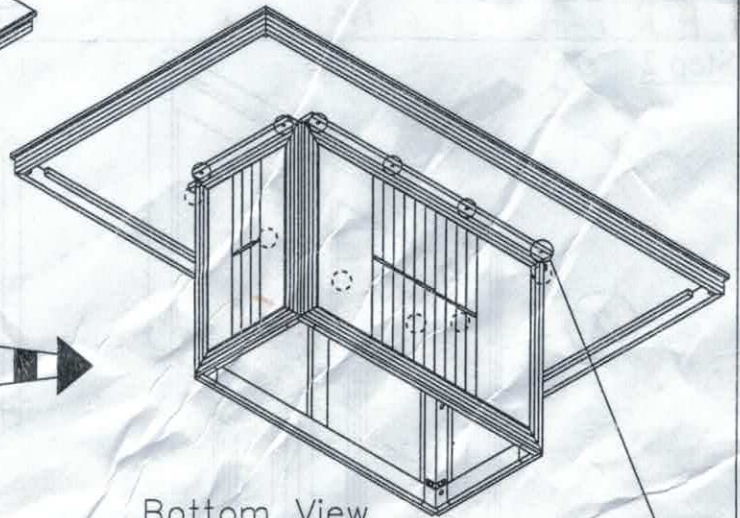
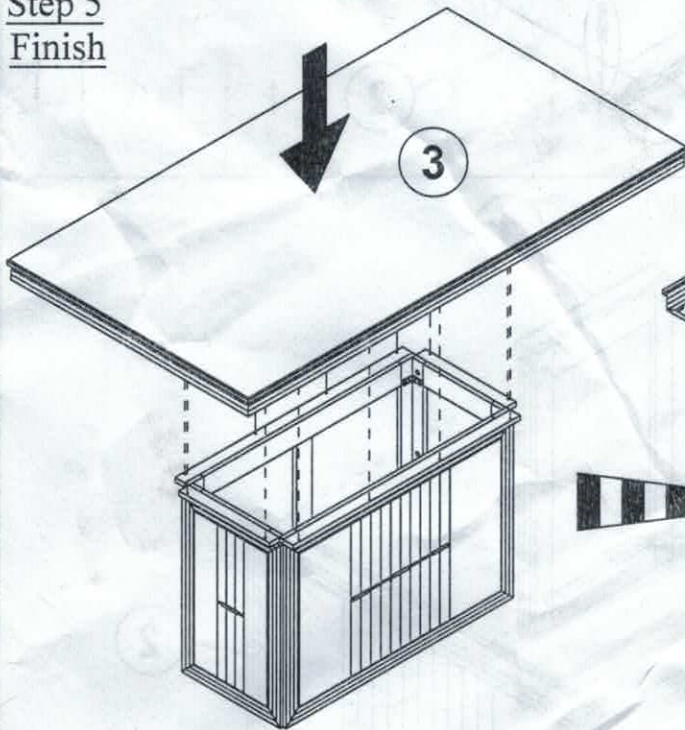
Step 3



Step 4



Step 5
Finish



Bottom View

