



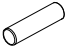


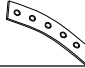



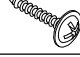

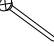


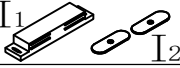
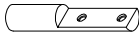





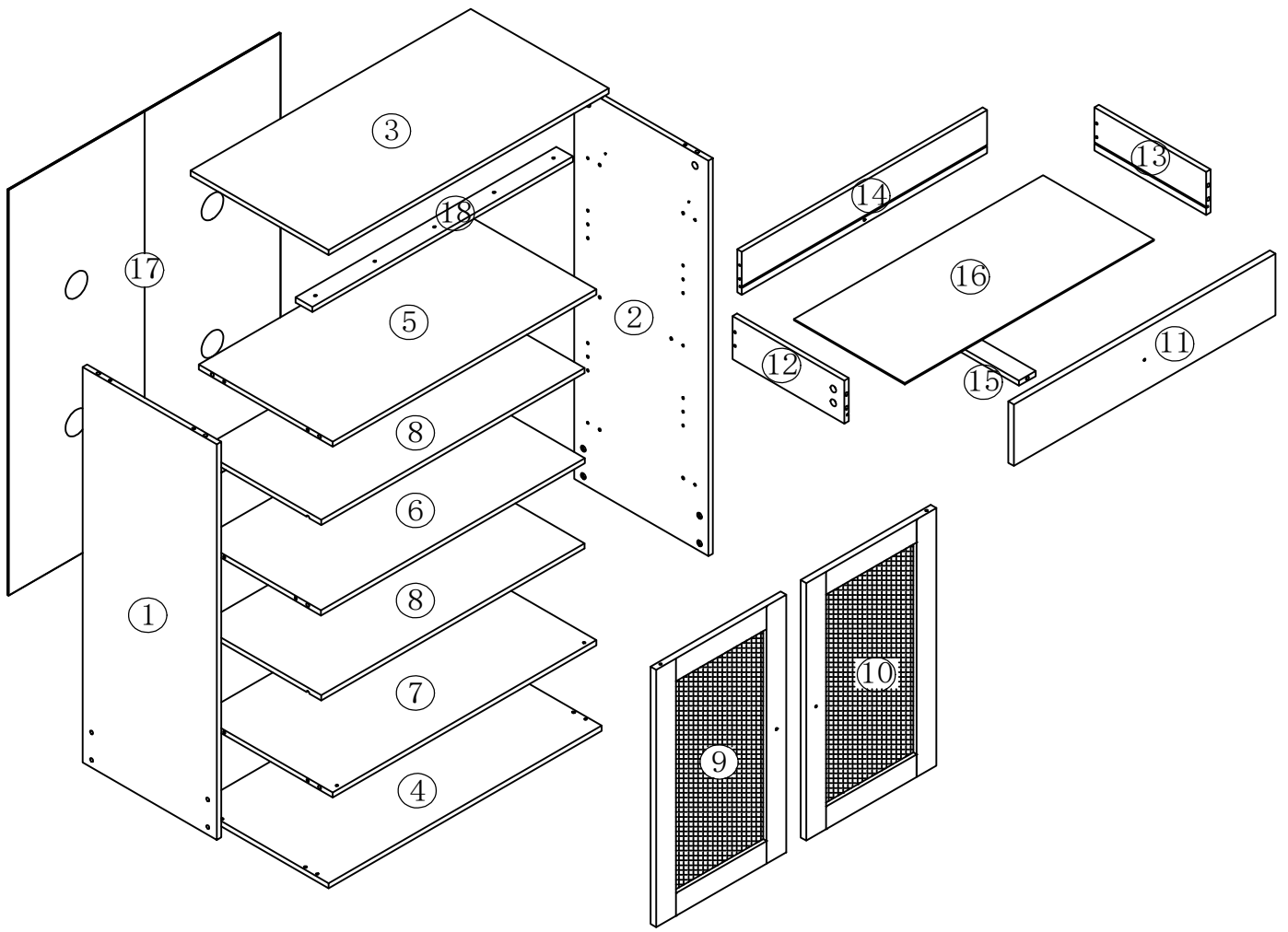


ASSEMBLY INSTRUCTION

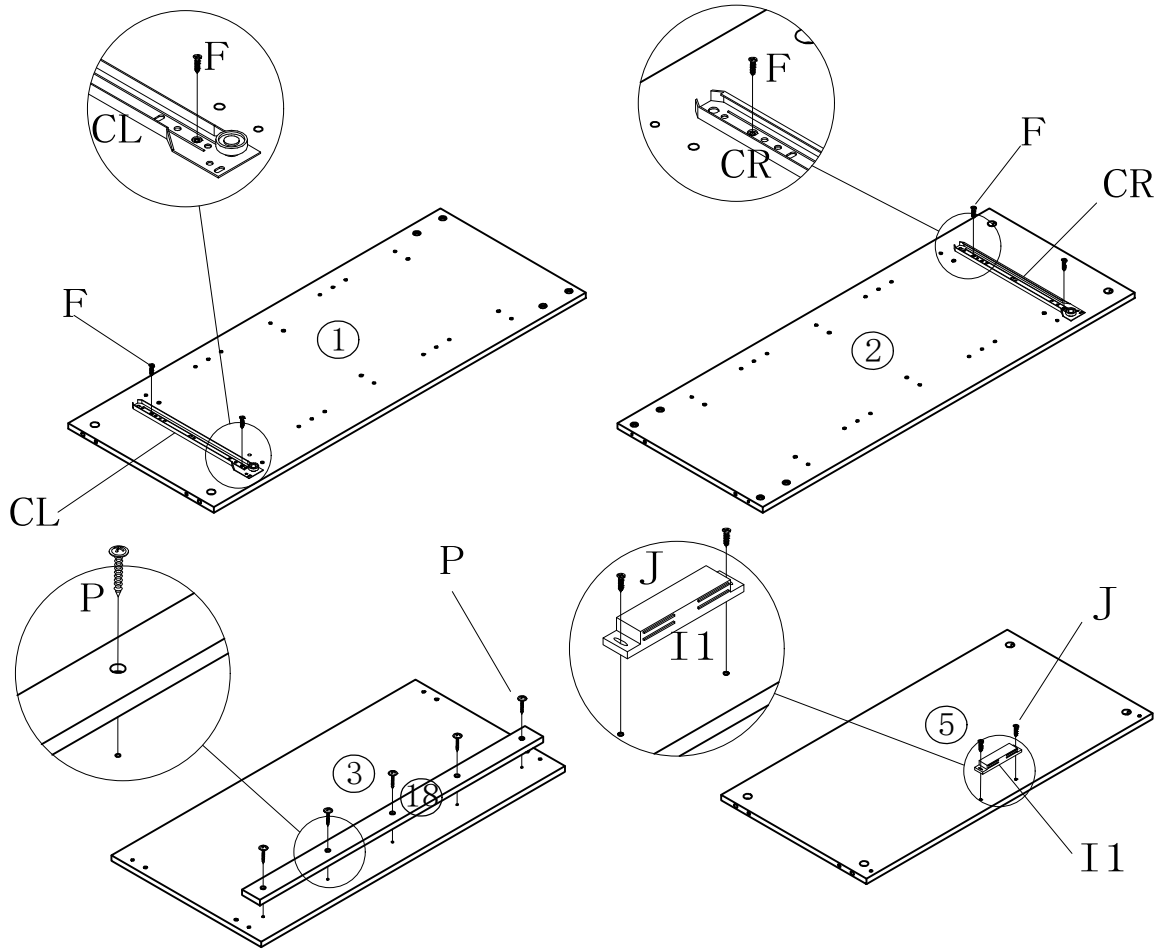
SORA 114 Shoe rack

A		Ø 15x9.5	21	PCS	K		Ø 3x12	2	PCS					
B		Ø 7x29	21	PCS	L			3	PCS					
C		Ø 6x30	20	PCS	M		M4x20	3	PCS					
D		Ø 4x40	11	PCS	N		180x20x3	2	PCS					
E			10	PCS	O		Ø7.8x38	2	PCS					
F		Ø 3.5x12	8	PCS	P		Ø 3.5x16	7	PCS					
G		M6x20	8	PCS	Q		16MM	18	PCS					
H			2	PCS	R			1	PC					
I			1	SET	S		Ø 35x190	4	PCS					
J		Ø 3.5x14	2	PCS	CL		DL		DR		CR	^{12"} 	1	SET



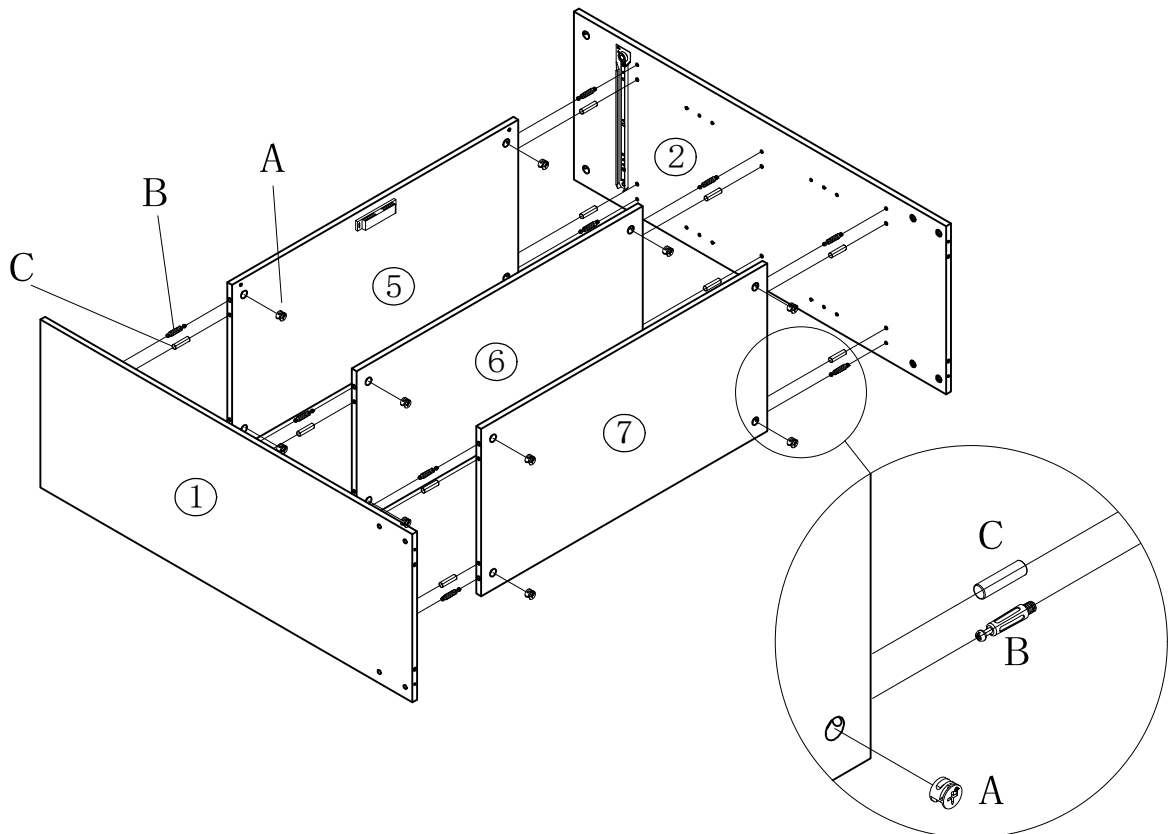
STEP 1

Fx4
I1x1
Jx2
Px5
CLx1
CRx1



STEP 2

Ax12
Bx12
Cx12



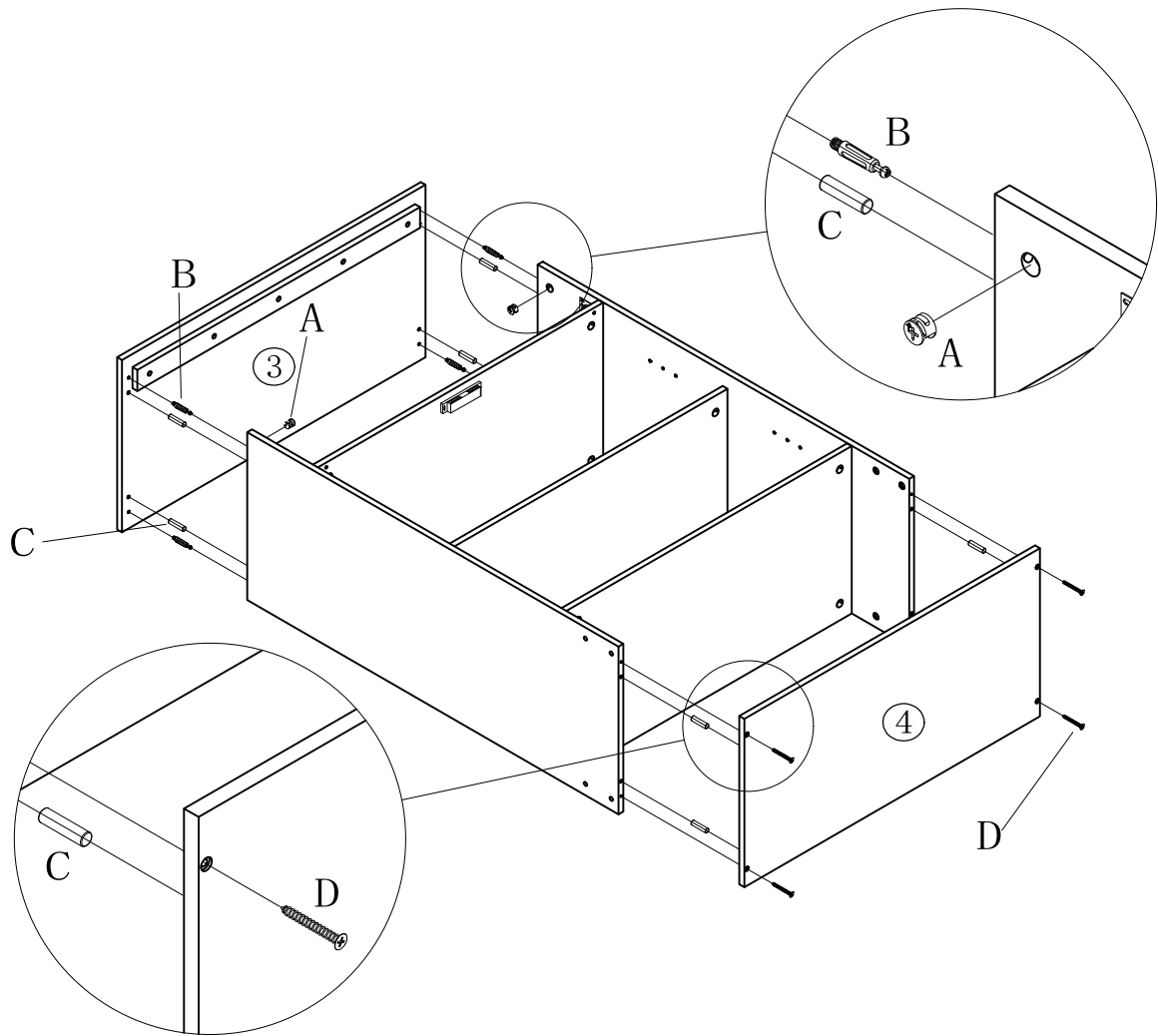
STEP 3

Ax4

Bx4

Cx8

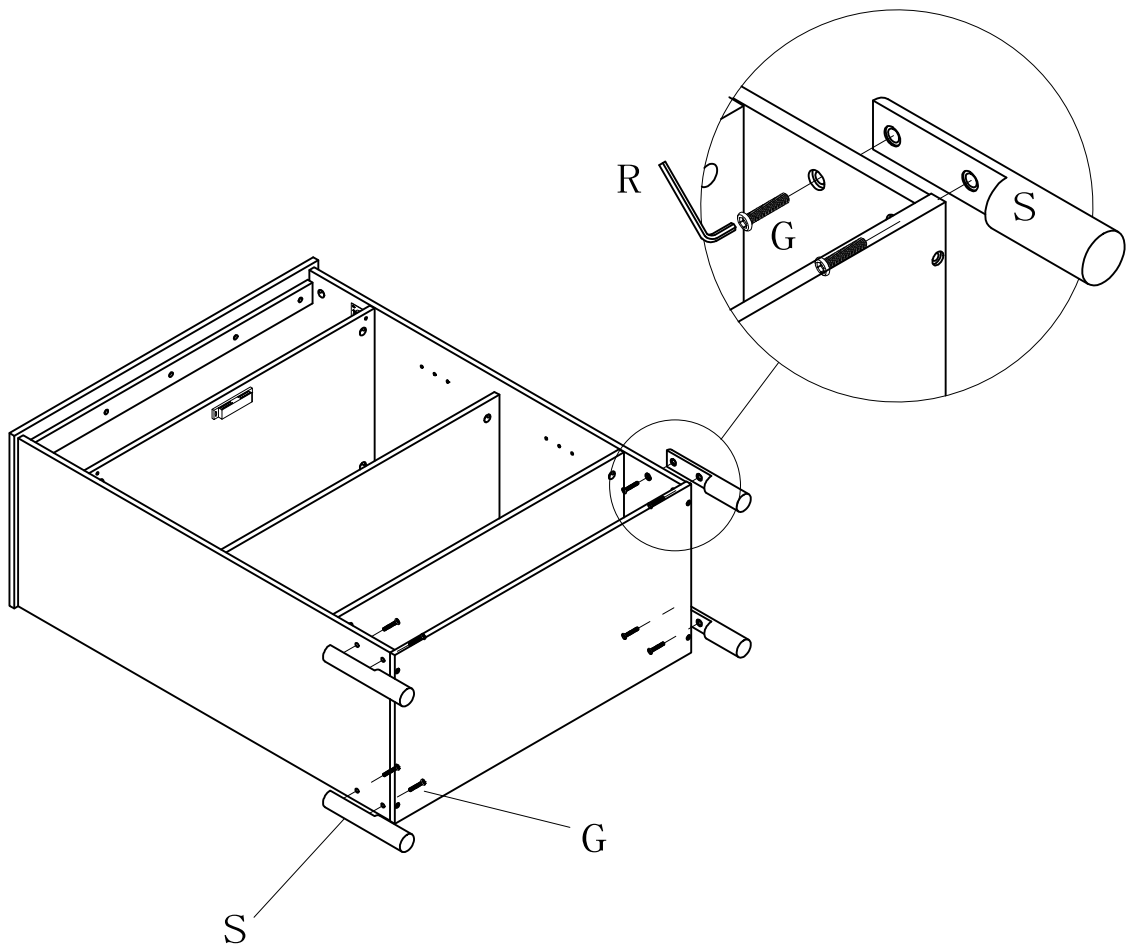
Dx4



STEP 4

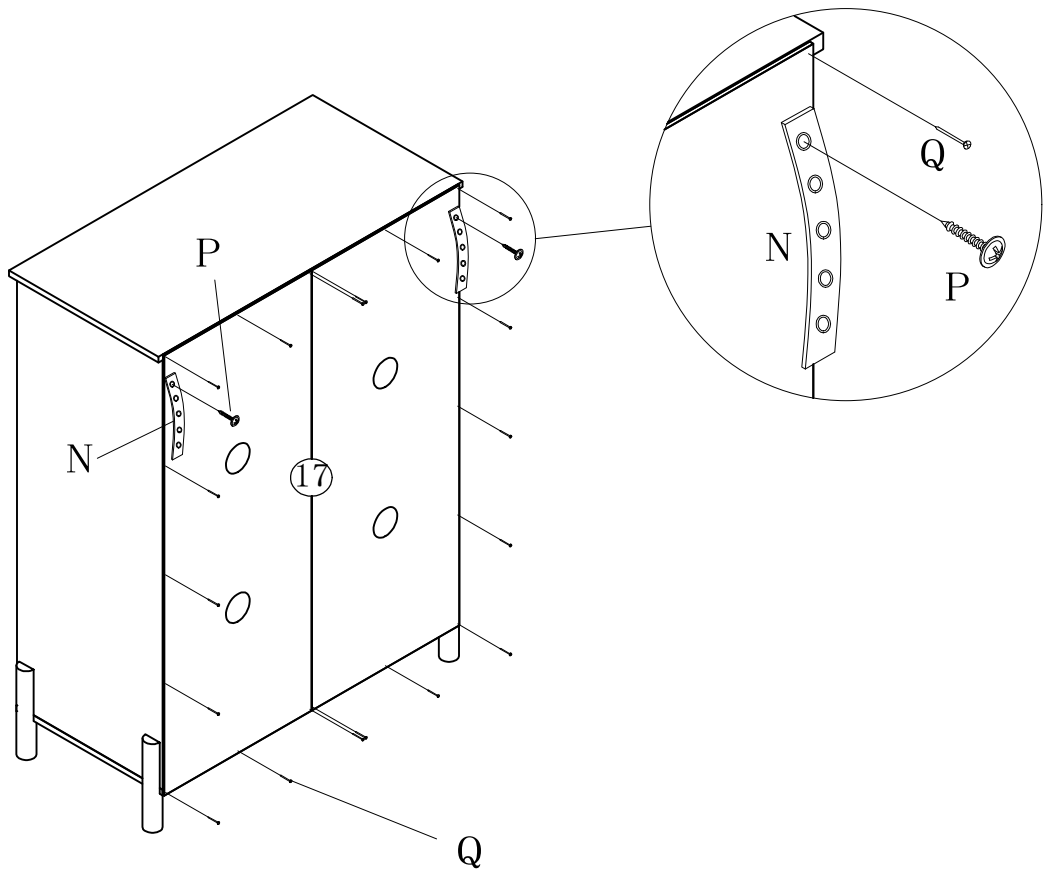
Gx8

Sx4



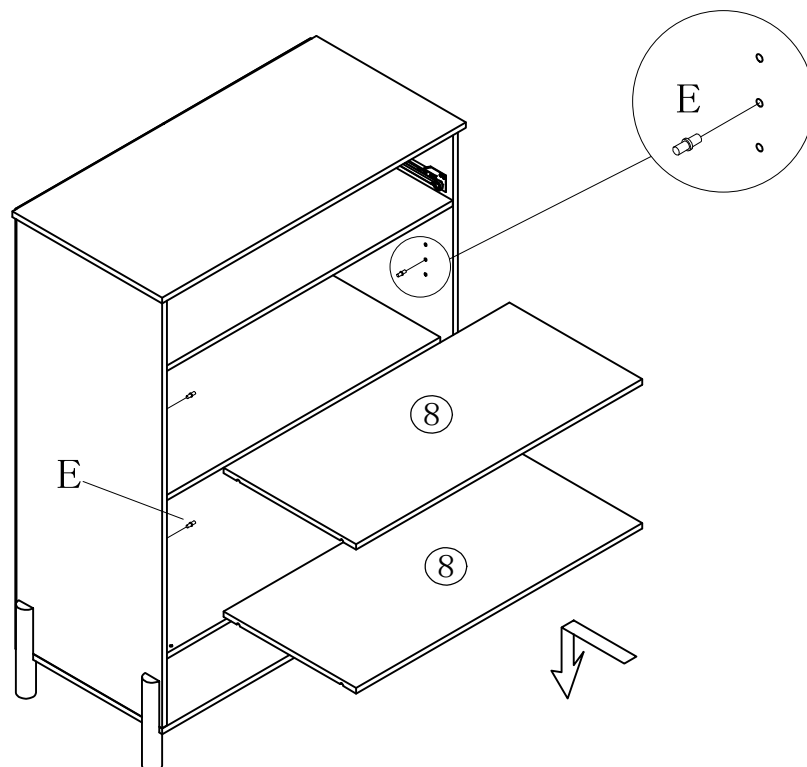
STEP 5

Nx2
Px2
Qx18



STEP 6

Ex8



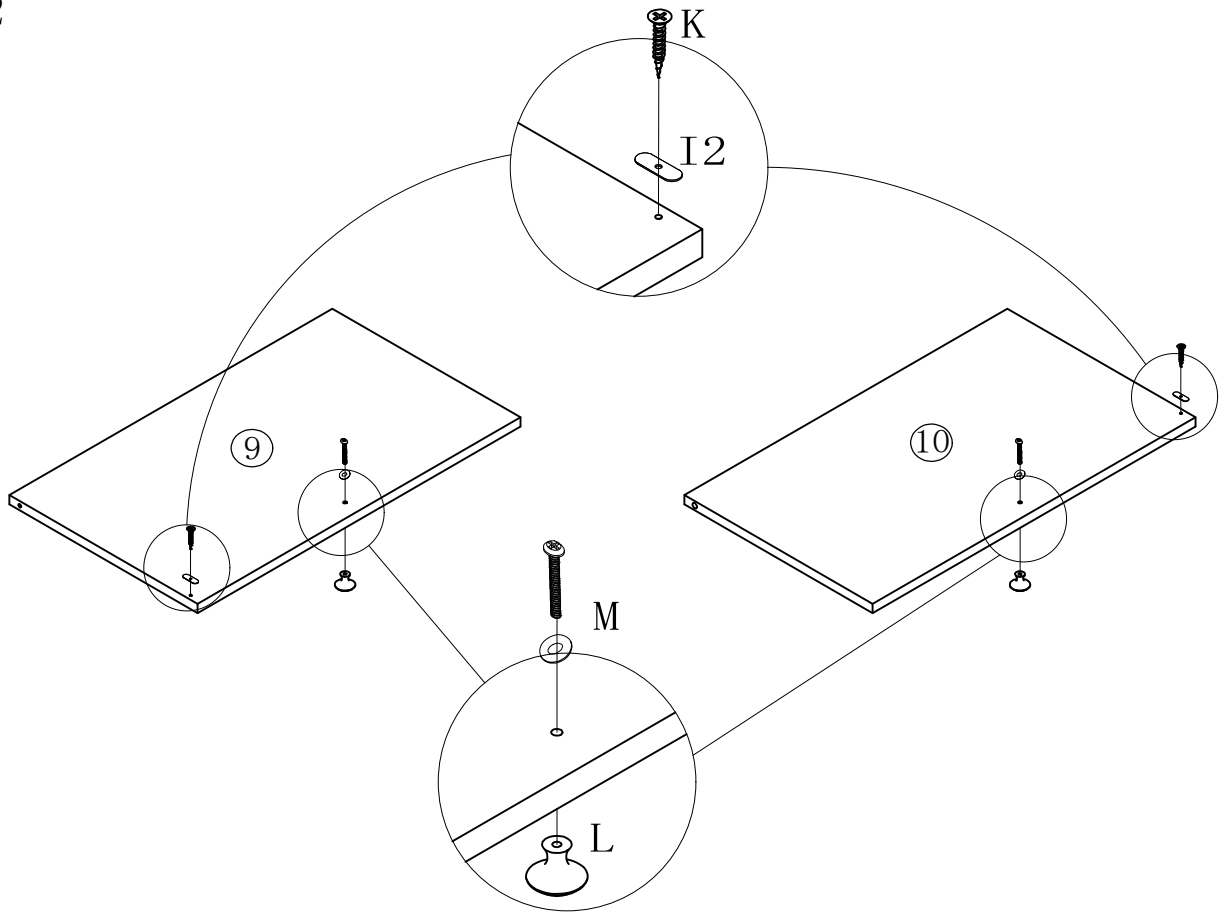
STEP 7

I2x2

Kx2

Lx2

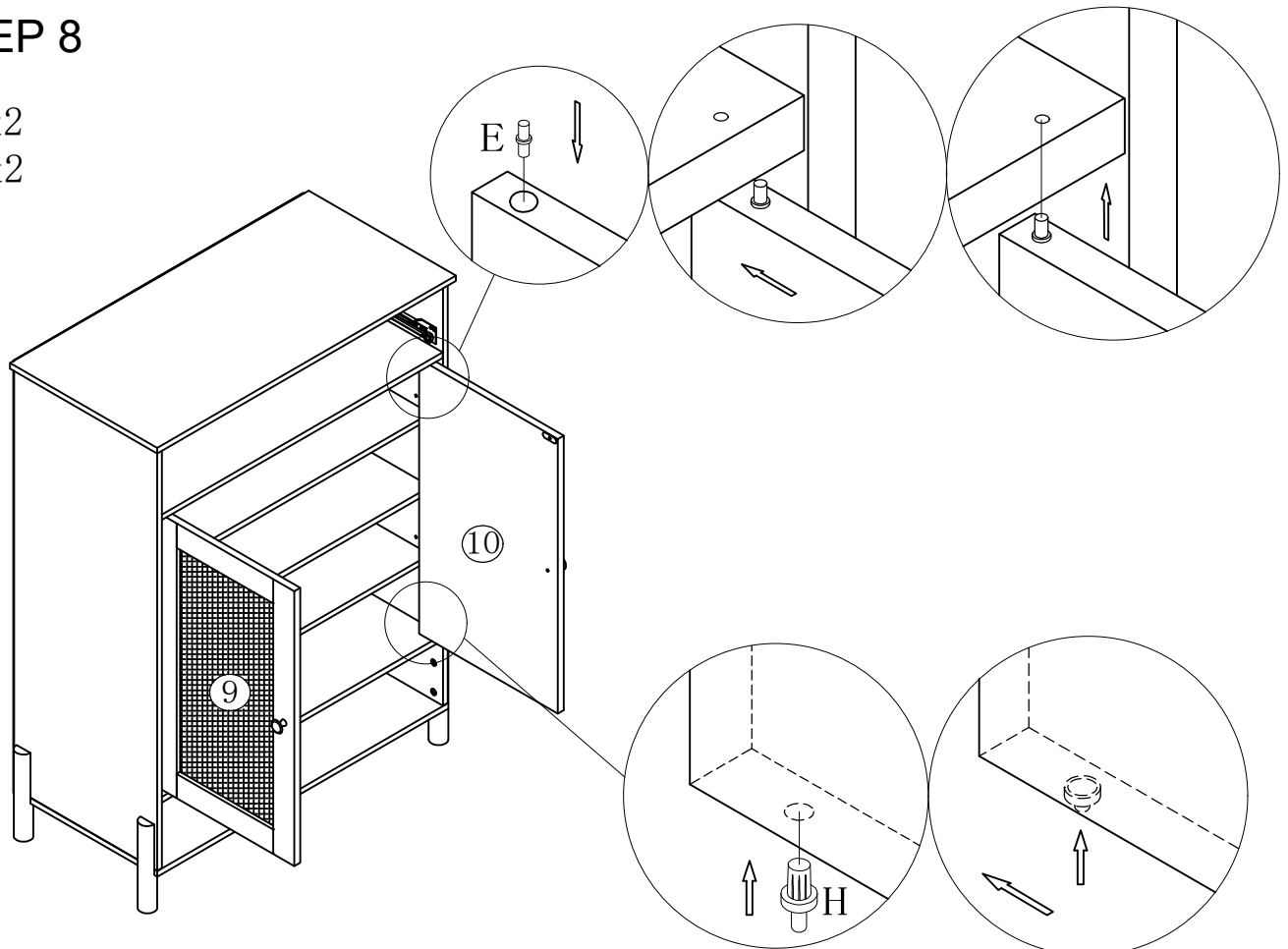
Mx2



STEP 8

Ex2

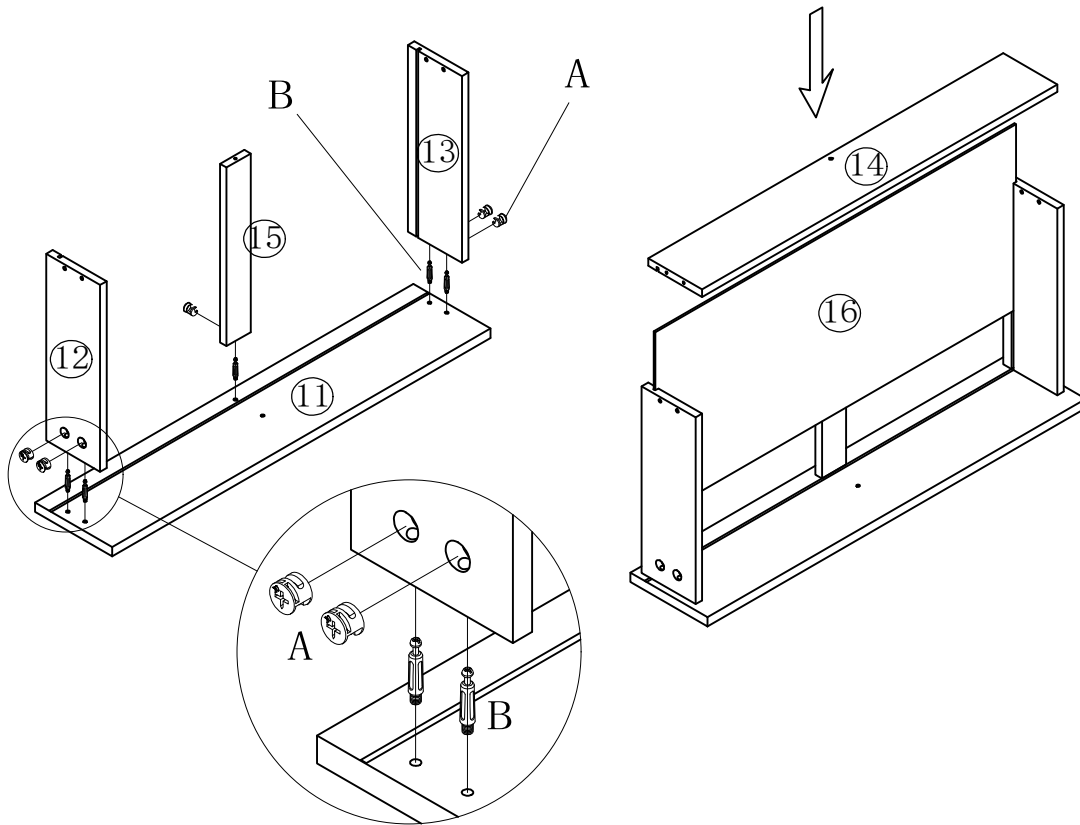
Hx2



STEP 9

Ax5

Bx5

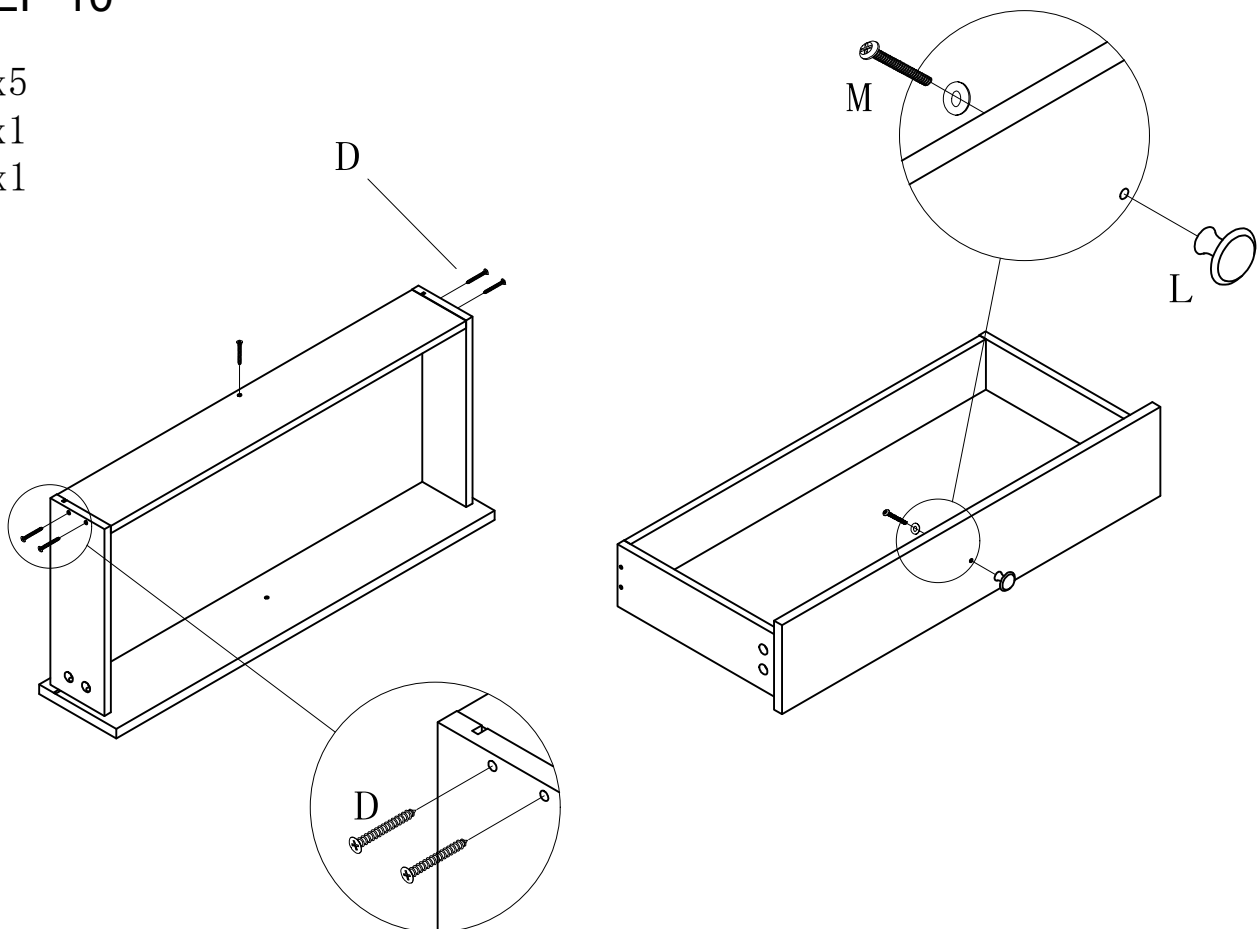


STEP 10

Dx5

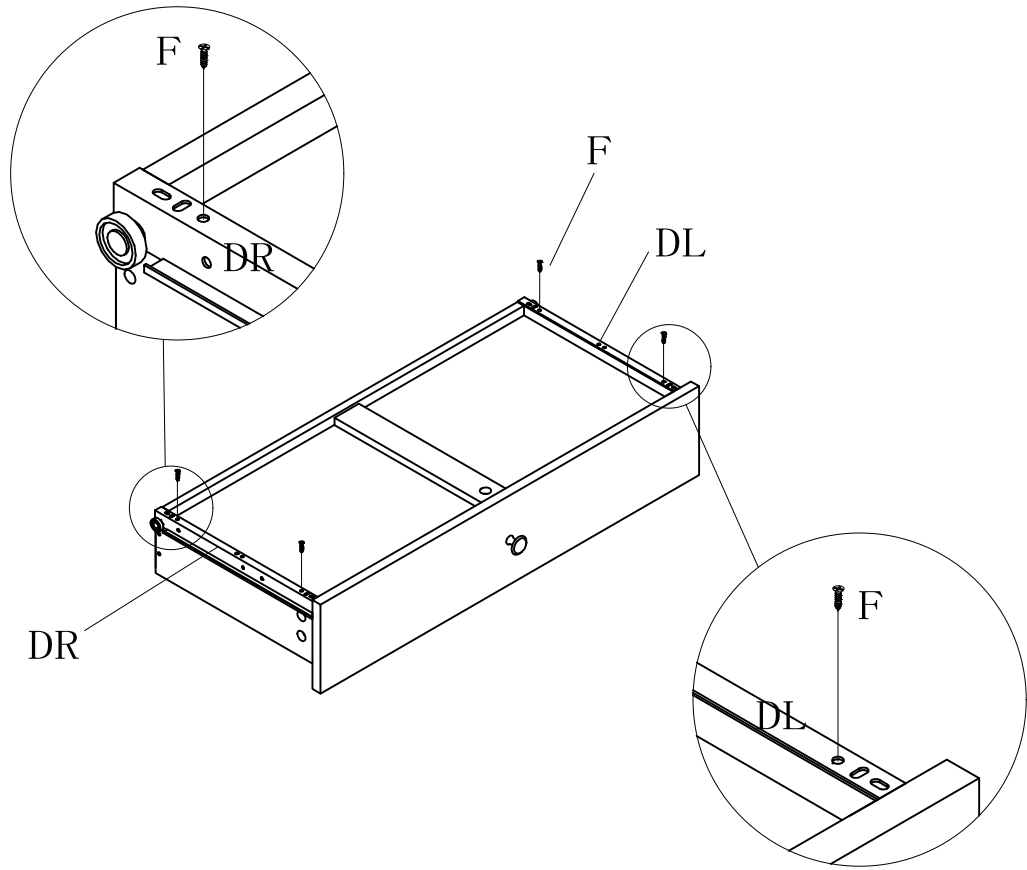
Lx1

Mx1

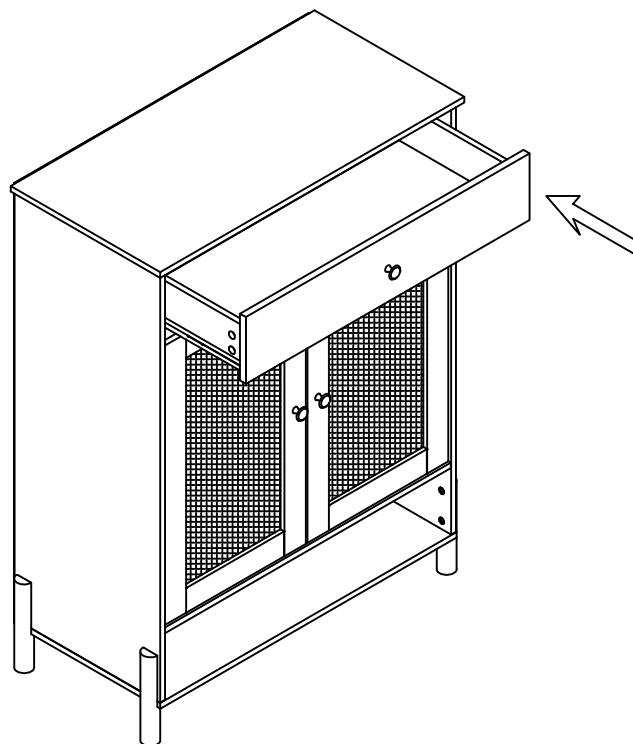


STEP 11

Fx4
DLx1
DRx1

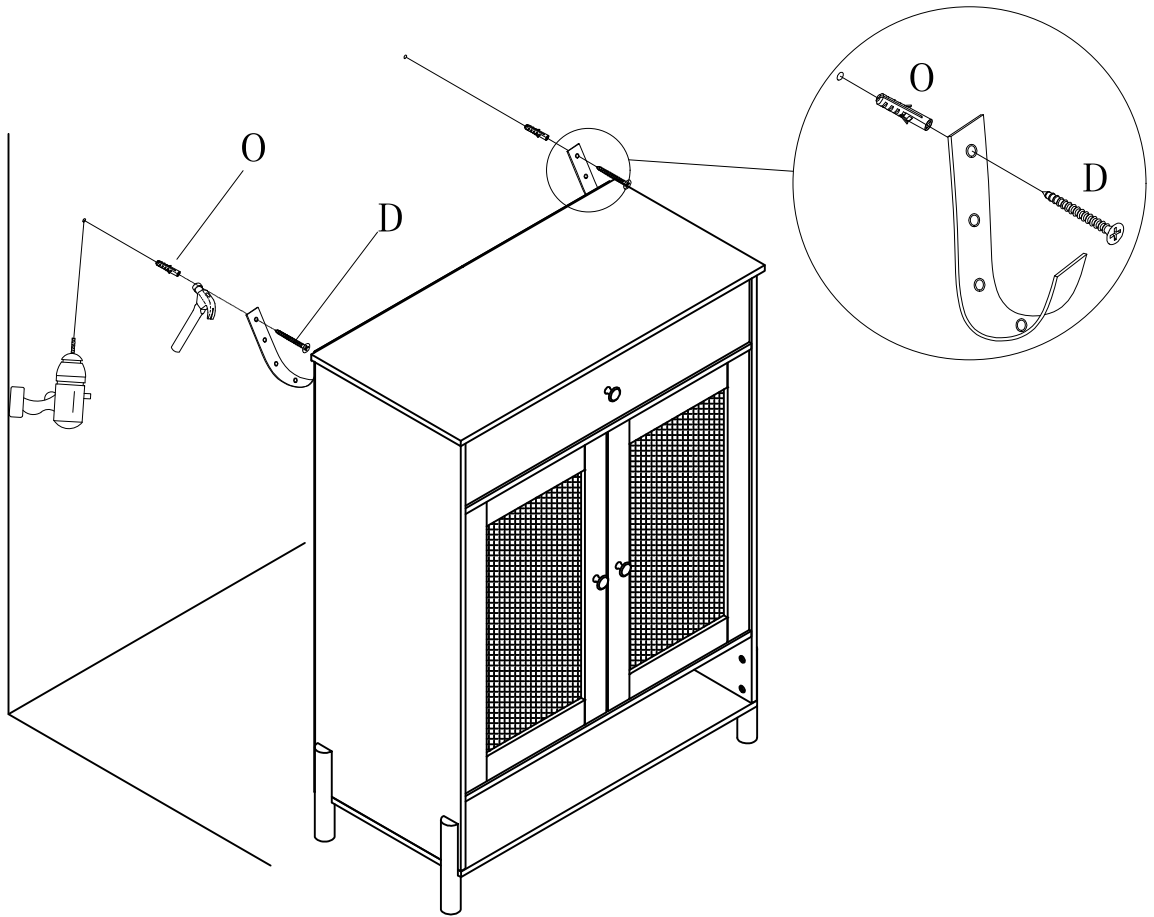


STEP 12



STEP 13

Dx2
Ox2



FINISH

