





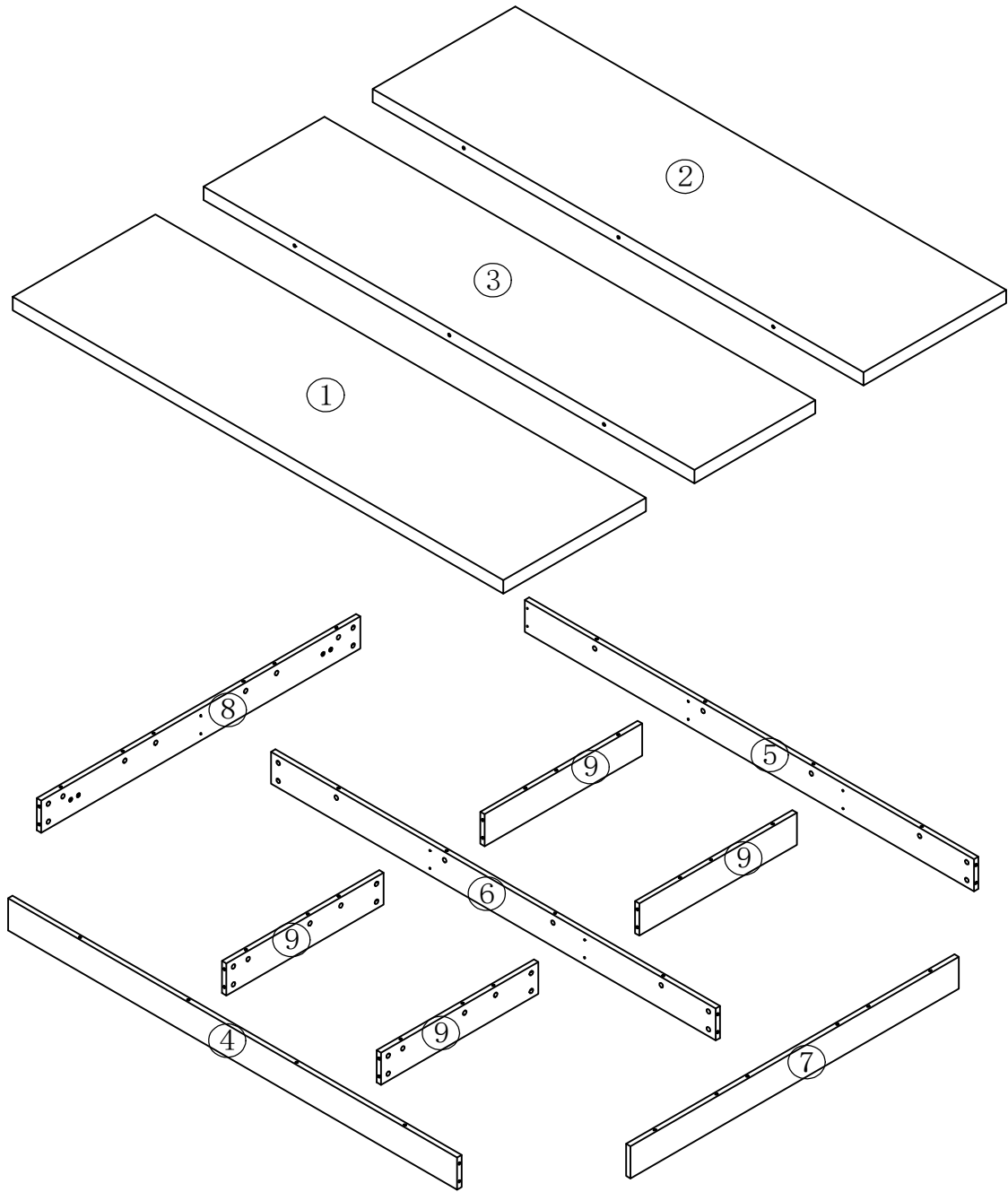


ASSEMBLY INSTRUCTION

YUKI King Size Bed

A		Ø 15x12	64	PCS	D		Ø 10x50	6	PCS
B		Ø 7x35	56	PCS	E		Ø 16	20	PCS
C		Ø 7x29	8	PCS	F		Ø 20	16	PCS

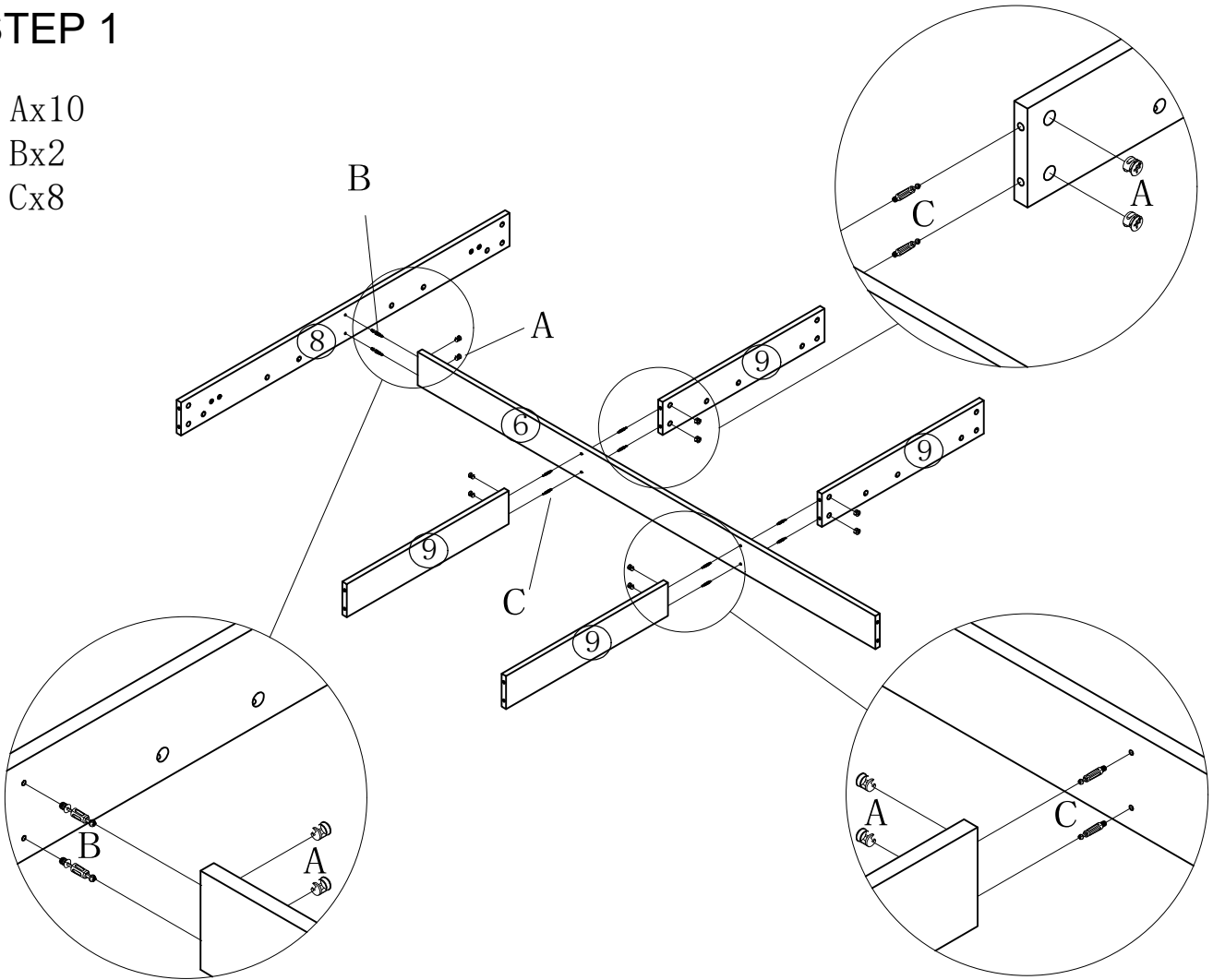


STEP 1

Ax10

Bx2

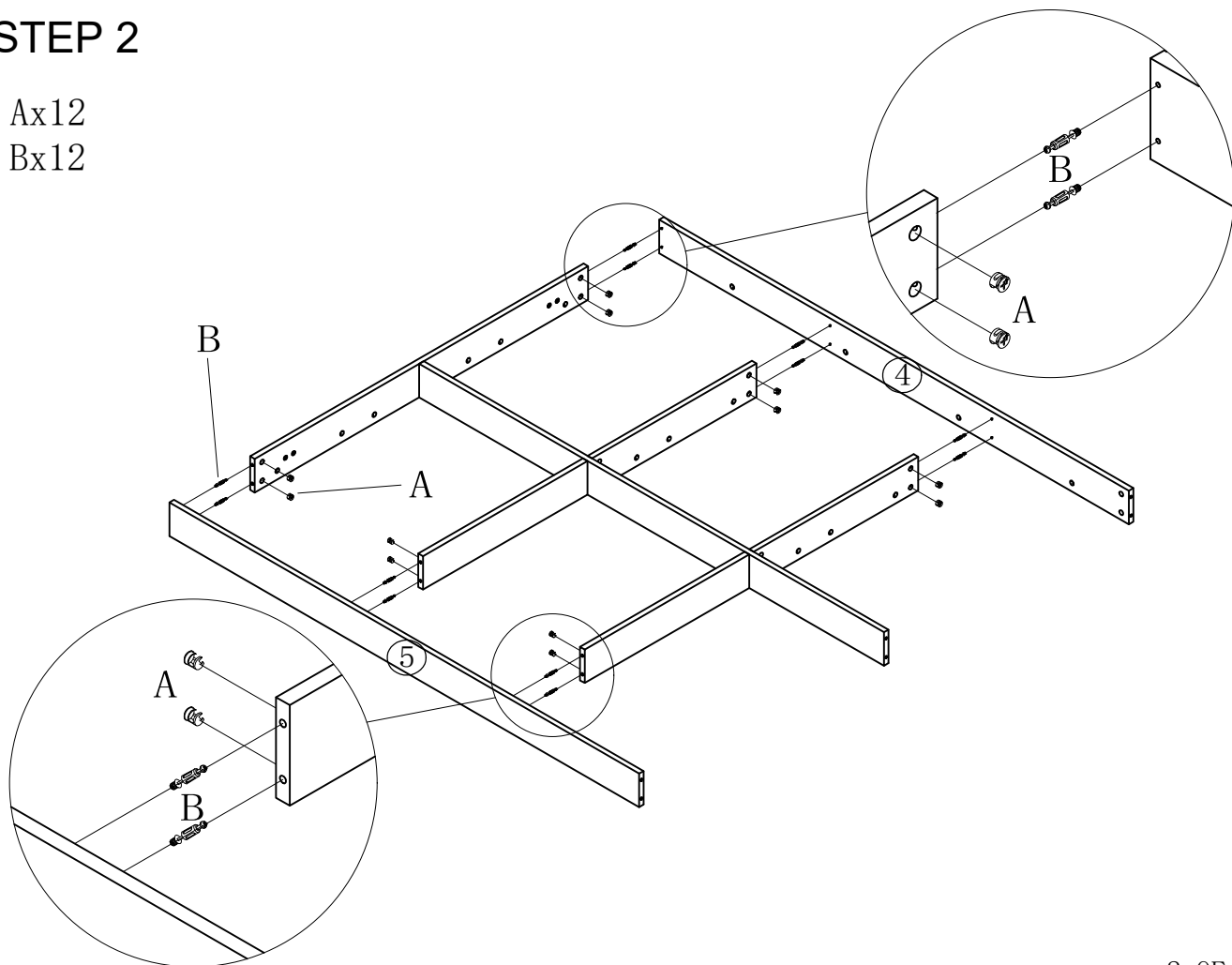
Cx8



STEP 2

Ax12

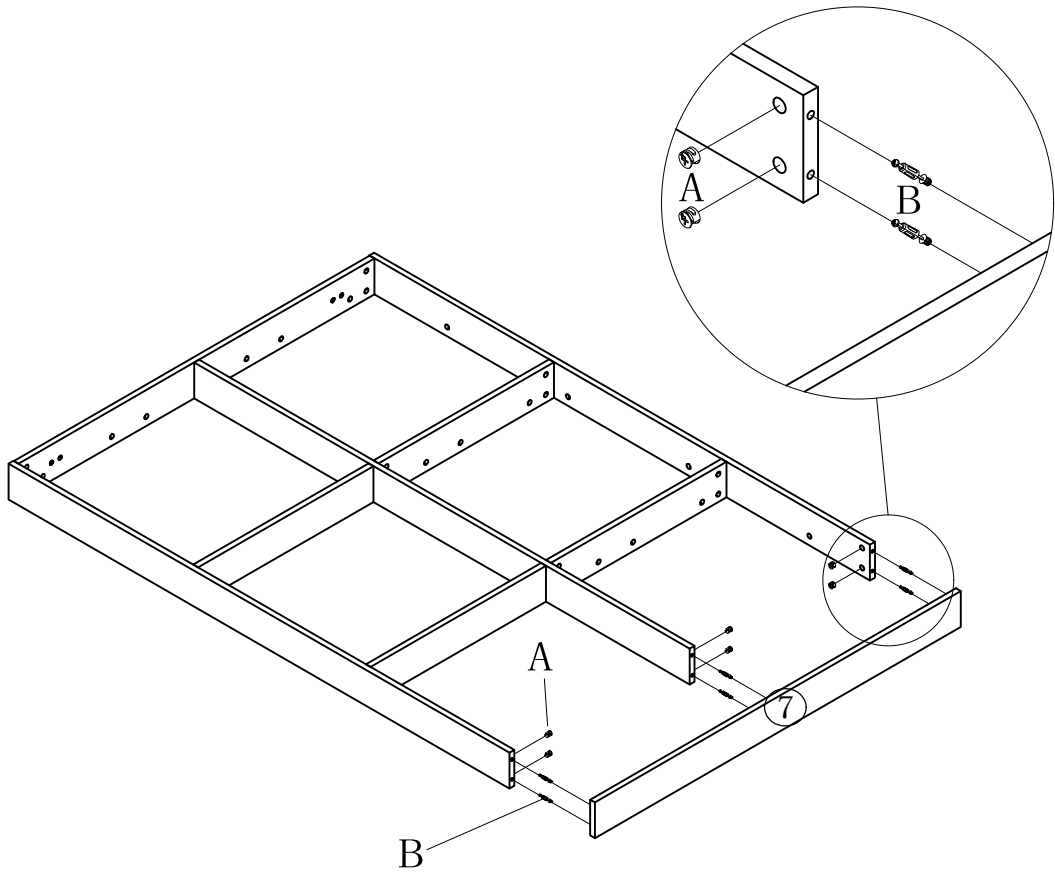
Bx12



STEP 3

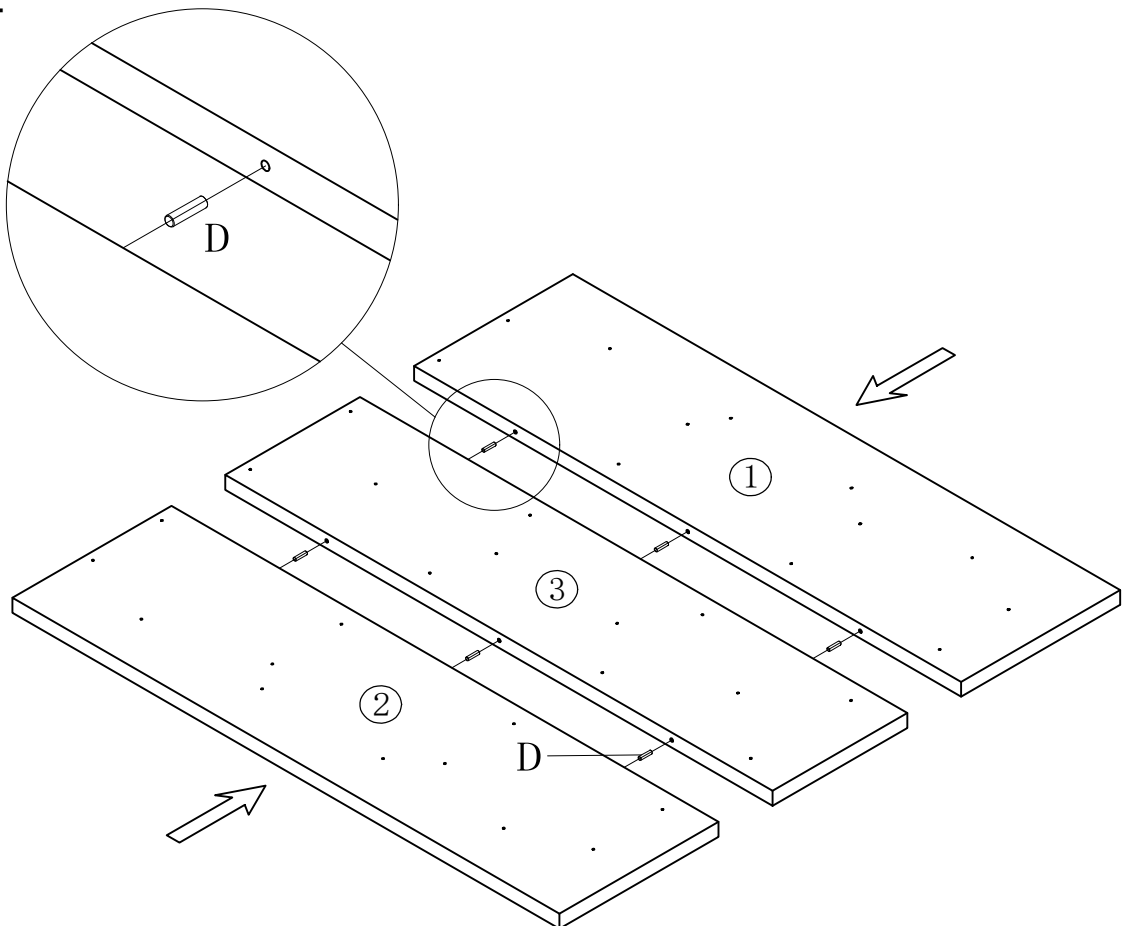
Ax6

Bx6



STEP 4

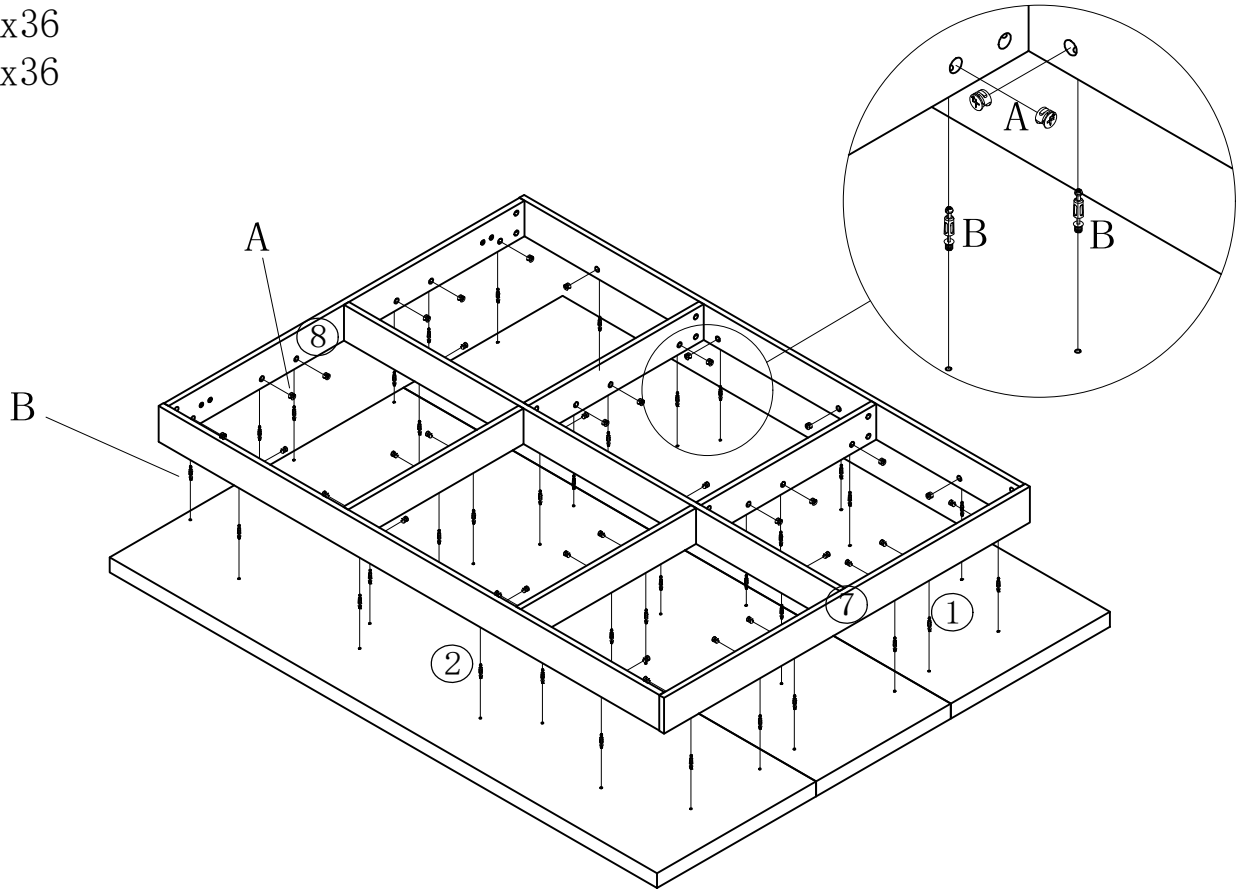
Dx6



STEP 5

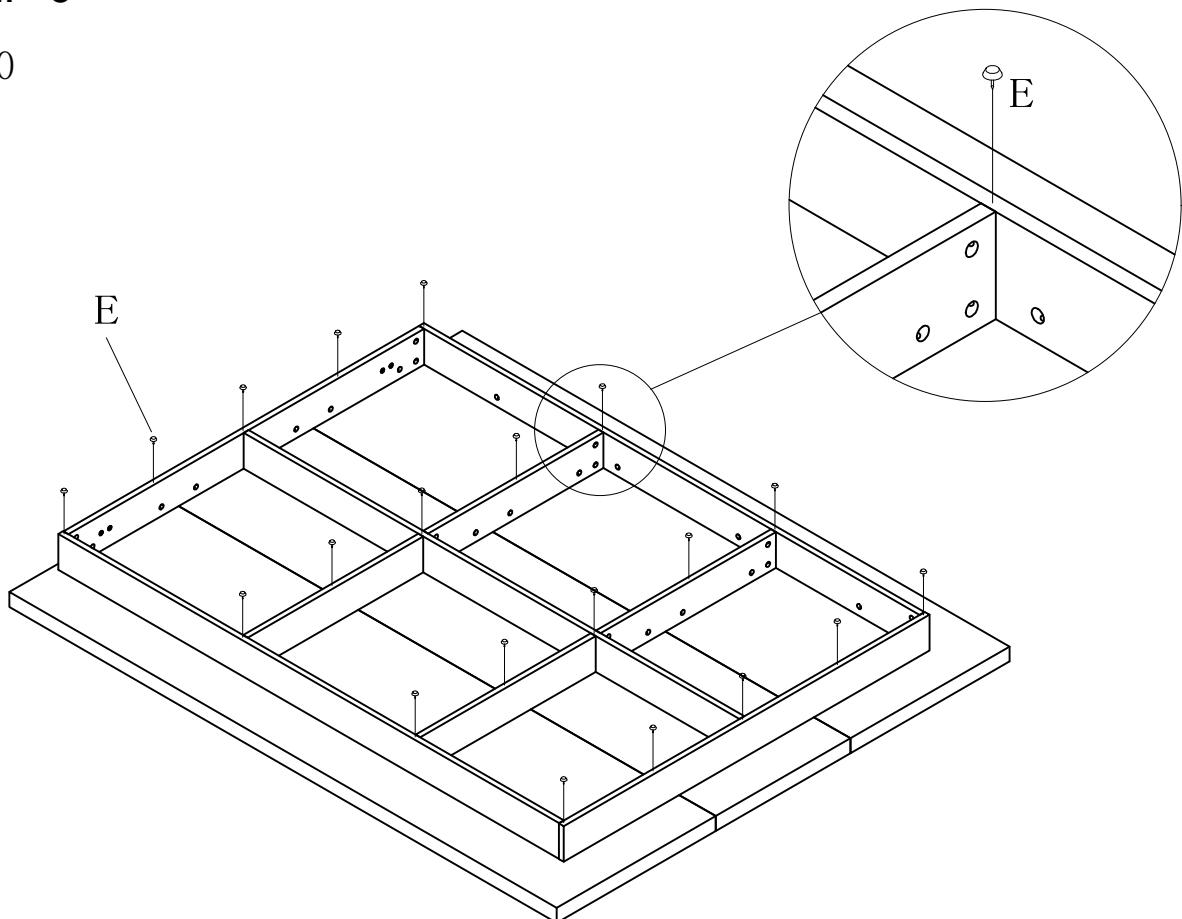
Ax36

Bx36



STEP 6

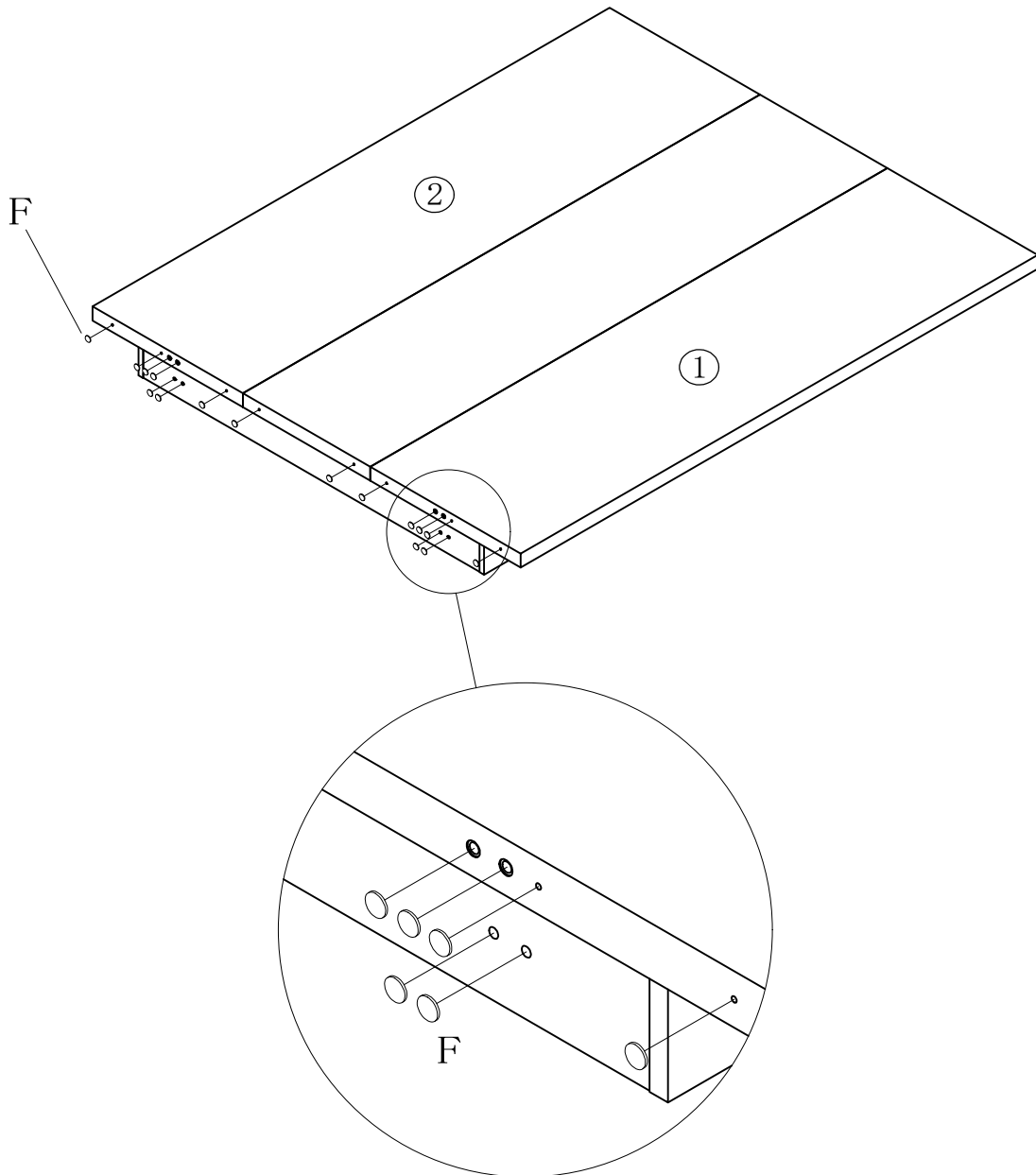
Ex20



STEP 7

This bed can be paired with different headboards. Holes here are for installing the headboard. If you don't need a headboard, please use stickers to cover them.

Fx16



FINISH

