

ASSEMBLY INSTRUCTION

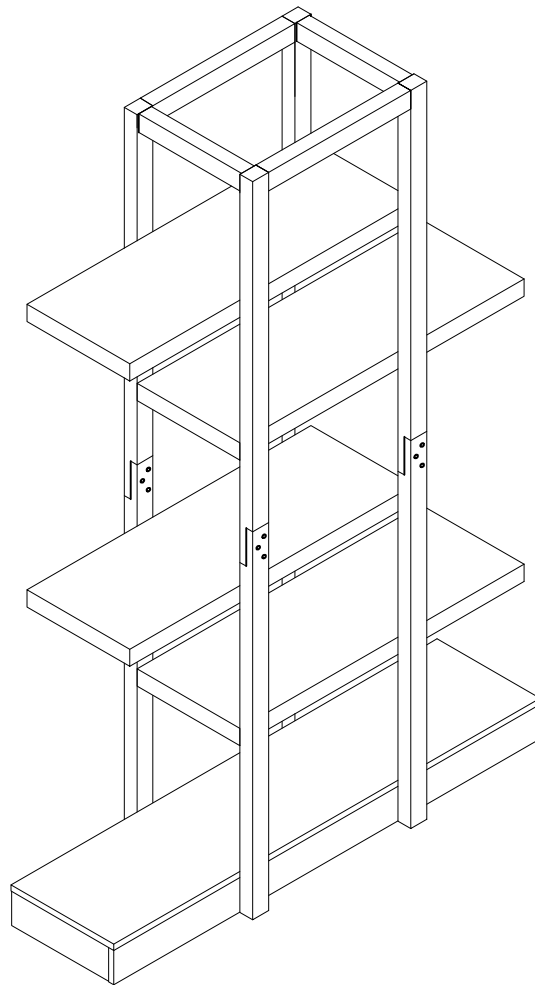
PLEASE READ BEFORE ASSEMBLING!

Tip #1: Make sure you've taken all the pieces and hardware out of its packaging before discarding the box.

Tip #2: Using page 2 and/or page 3 of instruction manual make sure all pieces and hardware are accounted for.

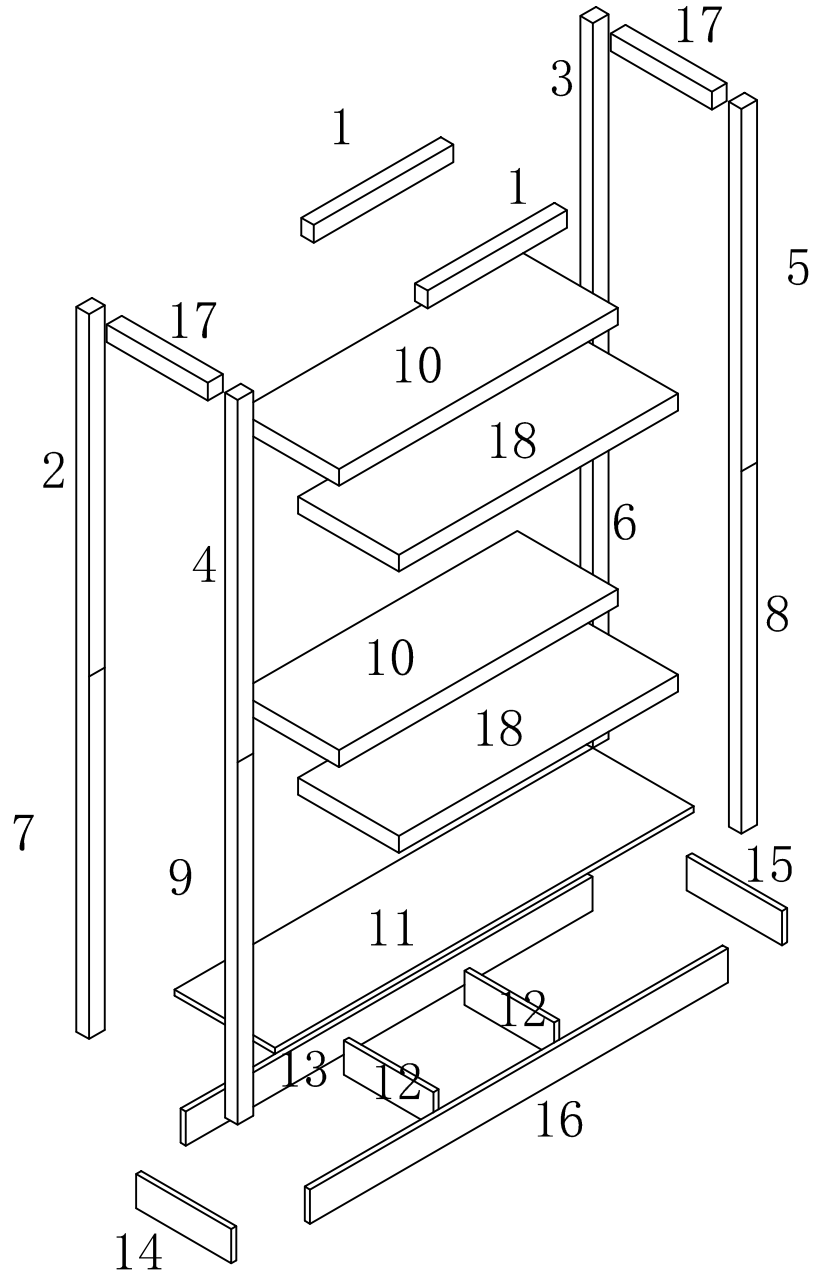
Tip #3: Read manual before assembling, it helps!

ITEM#: 11430



PARTS IDENTIFICATION









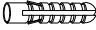
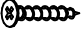



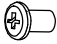
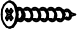
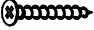




ITEM#: 11430



(1)	2pcs	(6)	1pc	(11)	1pc	(16)	1pc
(2)	1pc	(7)	1pc	(12)	2pcs	(17)	2pcs
(3)	1pc	(8)	1pc	(13)	1pc	(18)	2pcs
(4)	1pc	(9)	1pc	(14)	1pc		
(5)	1pc	(10)	2pcs	(15)	1pc		

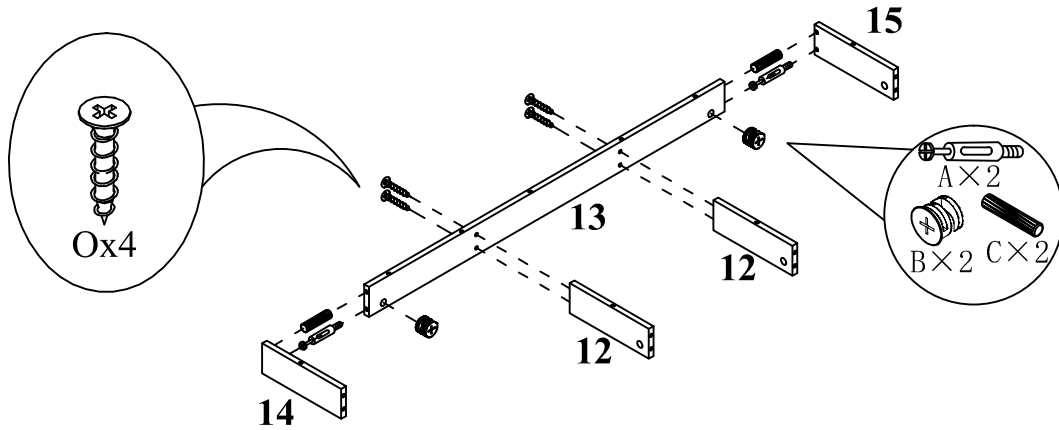
HARDWARE IDENTIFICATION

ITEM#: 11430

A		L=29mm	24PCS
B		Ø15mm	24PCS
C		Ø8x25mm	22PCS
D		Ø10x15mm	12PCS
E		Ø6x65mm	12PCS
F		M4mm	1PC
G		Ø18mm	40PCS
H		Ø6x25mm	16PCS
I		Ø8x40mm	1PC
J		Ø5x40mm	1PC
K		Ø4x25mm	1PC
L		200x12mm	1PC
M		Ø6x45mm	6PCS
N		Ø10x11mm	18PCS
O		Ø4x35mm	4PCS
P		Ø4x45mm	2PCS
Q		50x35x35mm	2PCS
R		Ø4x16mm	12PCS
S		Ø16mm	8PCS
T		Glue: For securing please apply to wood dowel first before inserting into panel	1PC

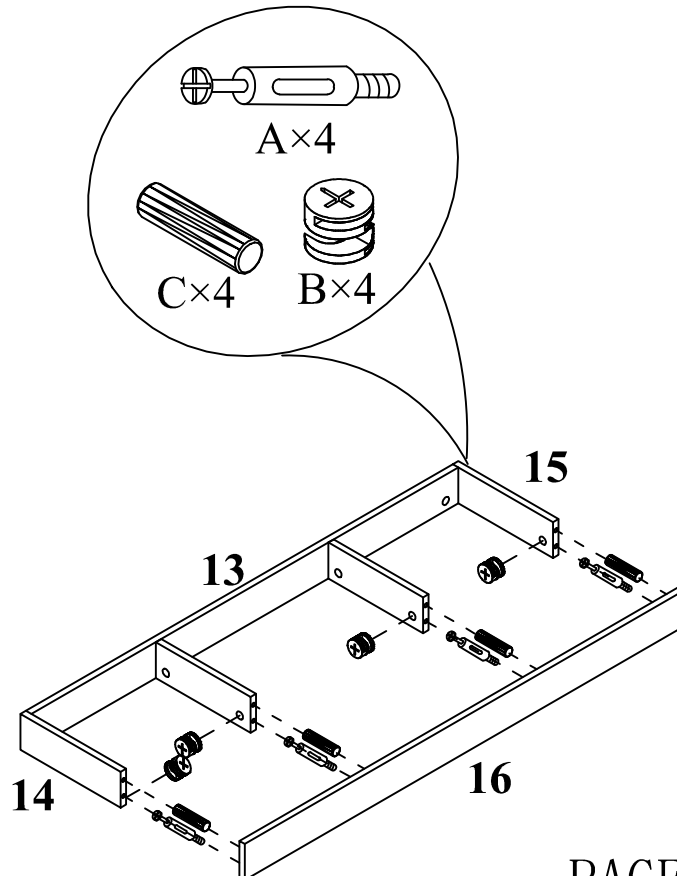
ASSEMBLY INSTRUCTION

ITEM#: 11430



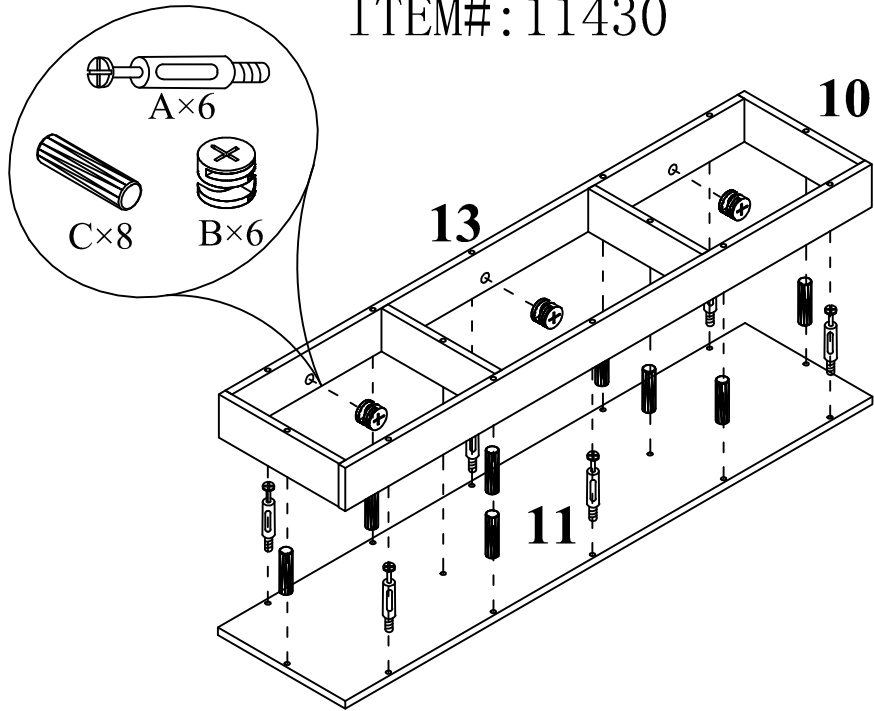
STEP1

STEP2



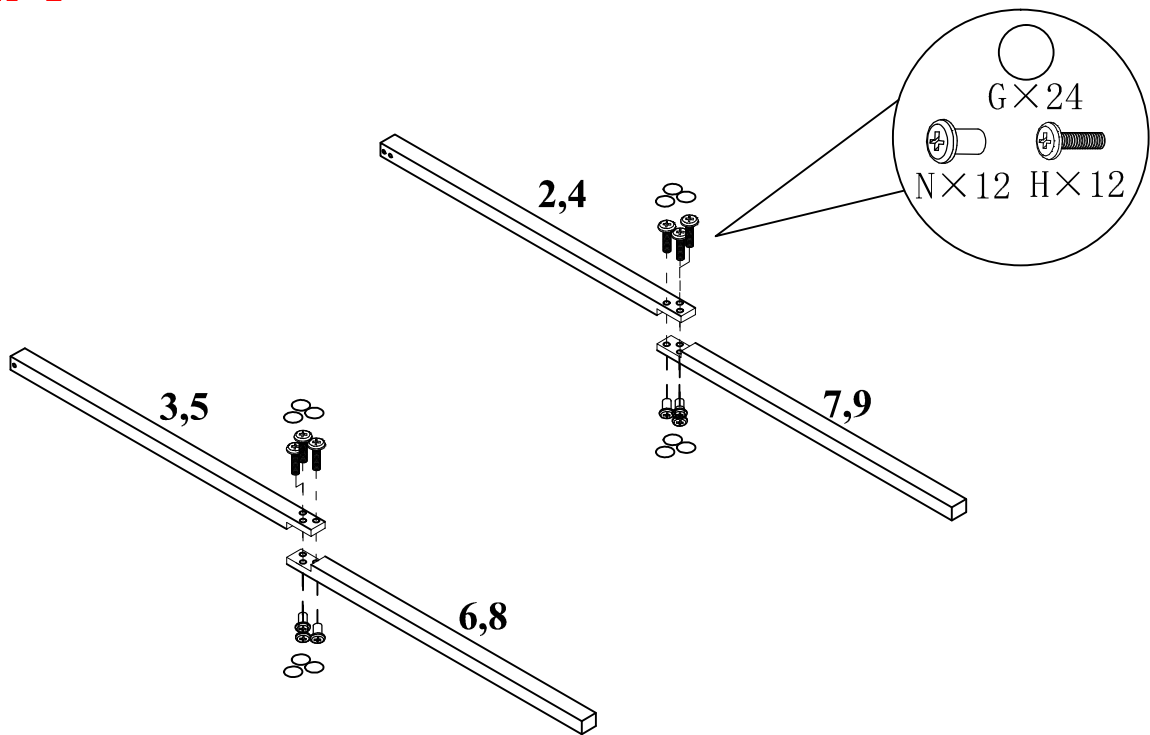
ASSEMBLY INSTRUCTION

ITEM#: 11430



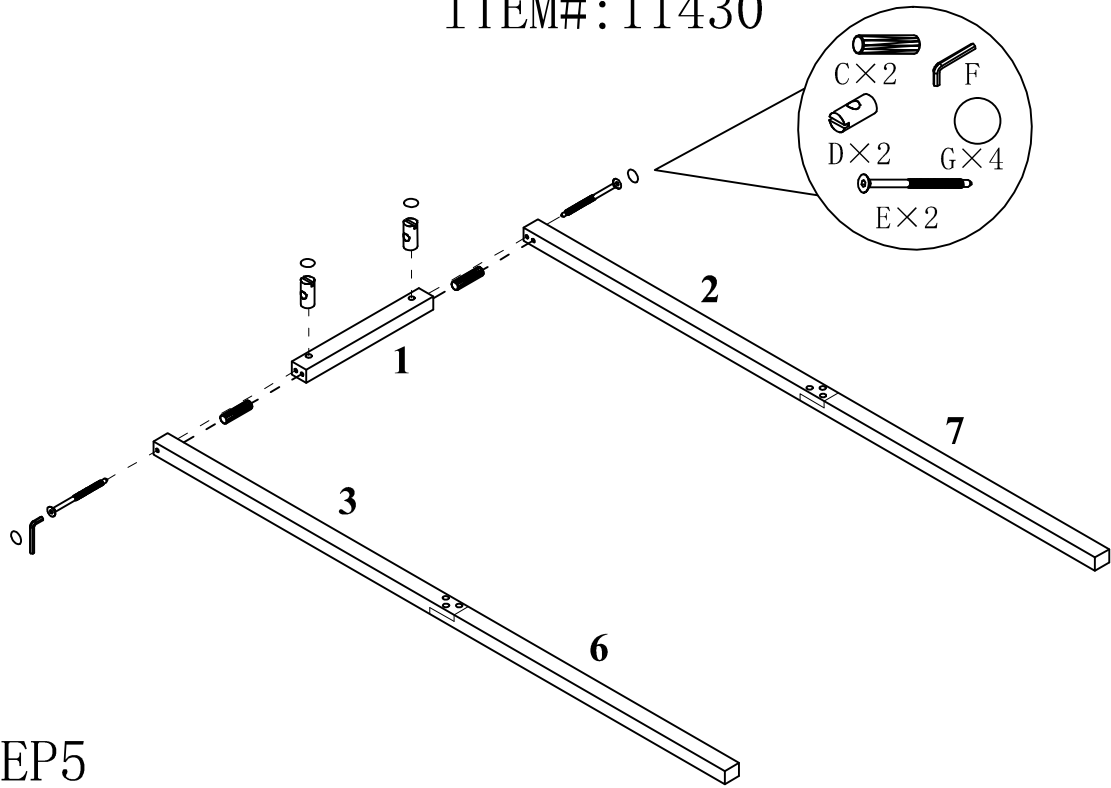
STEP3

STEP4



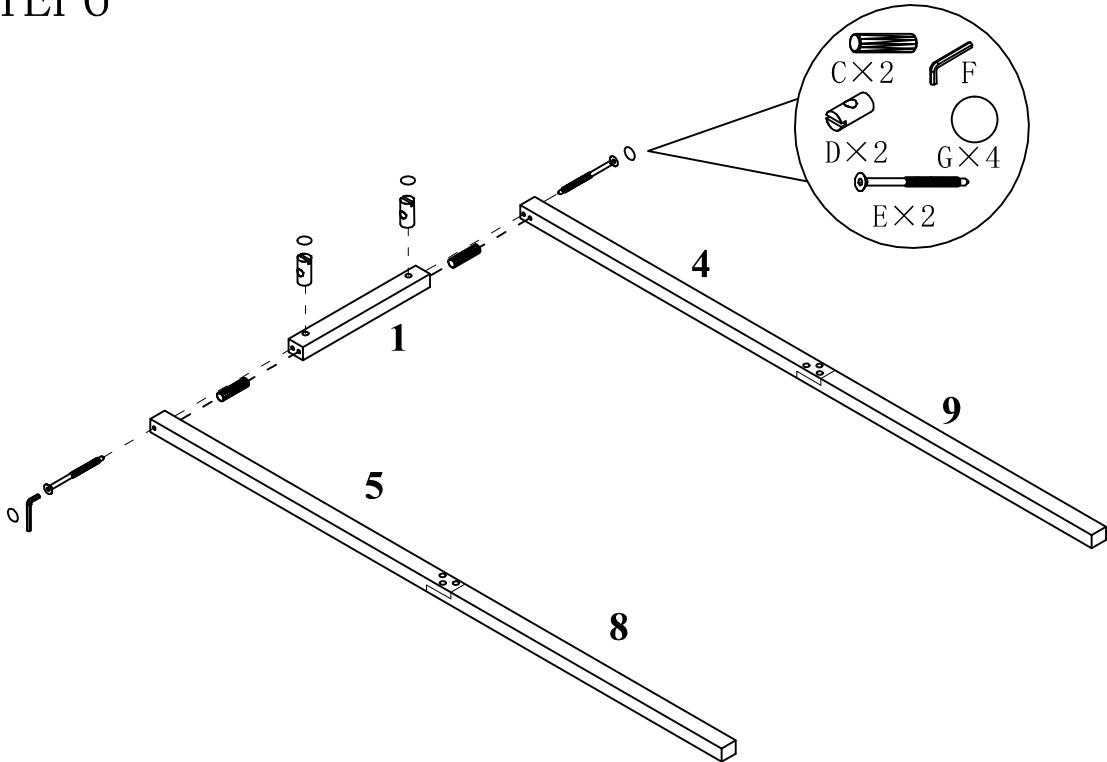
ASSEMBLY INSTRUCTION

ITEM#: 11430



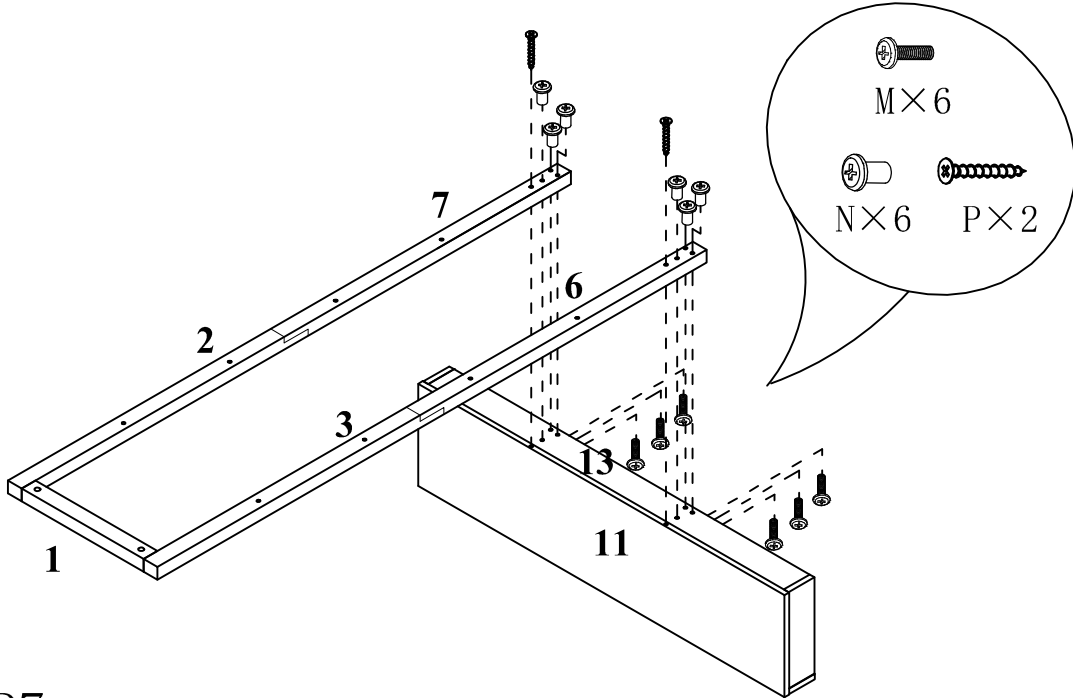
STEP5

STEP6



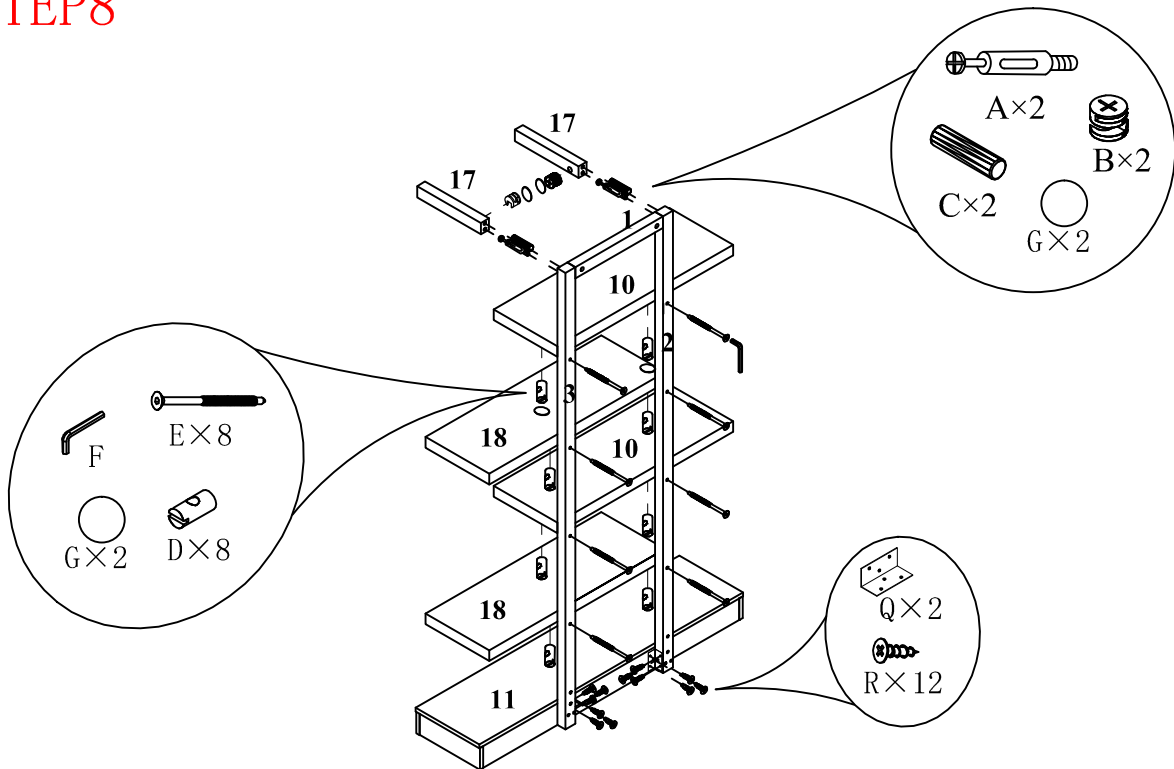
ASSEMBLY INSTRUCTION

ITEM#: 11430



STEP 7

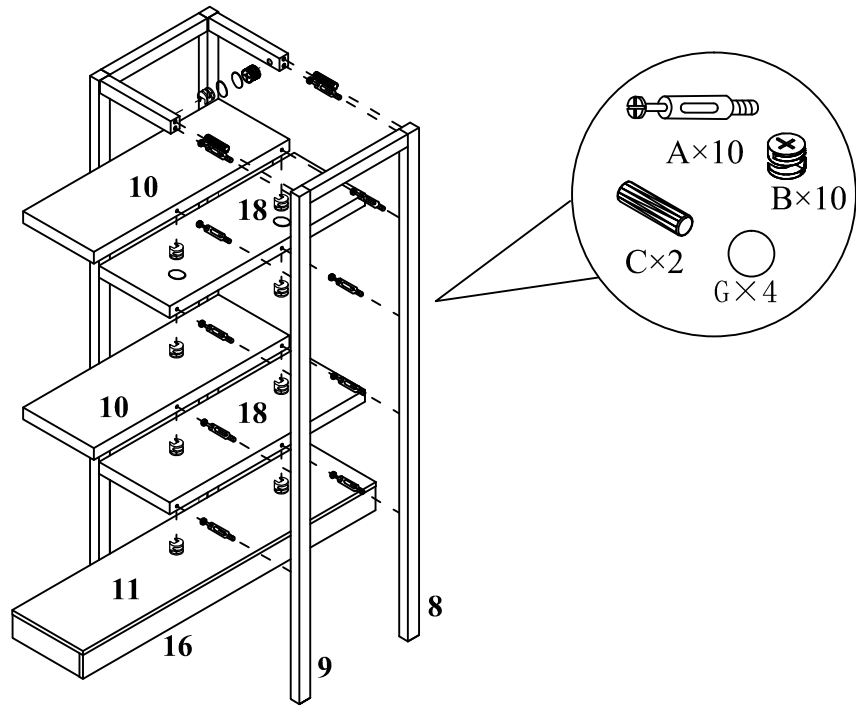
STEP 8



PAGE: 7 OF 9

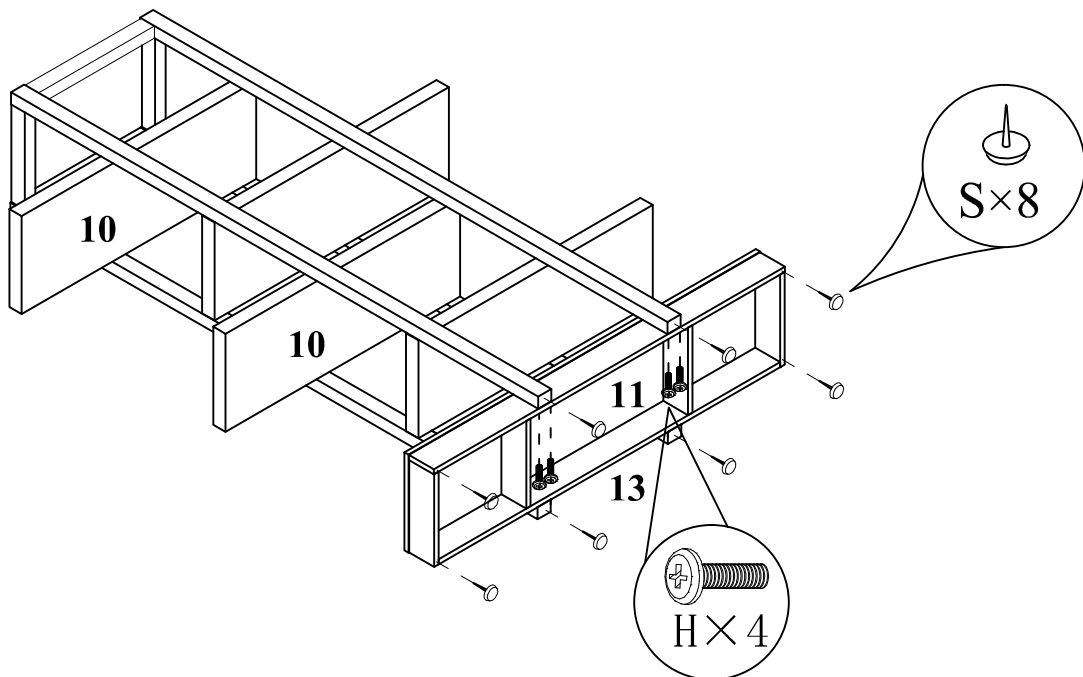
ASSEMBLY INSTRUCTION

ITEM#: 11430



STEP 9

STEP 10



PAGE: 8 OF 9

ASSEMBLY INSTRUCTION

ITEM#: 11430

STEP 11

