

ASSEMBLY INSTRUCTION

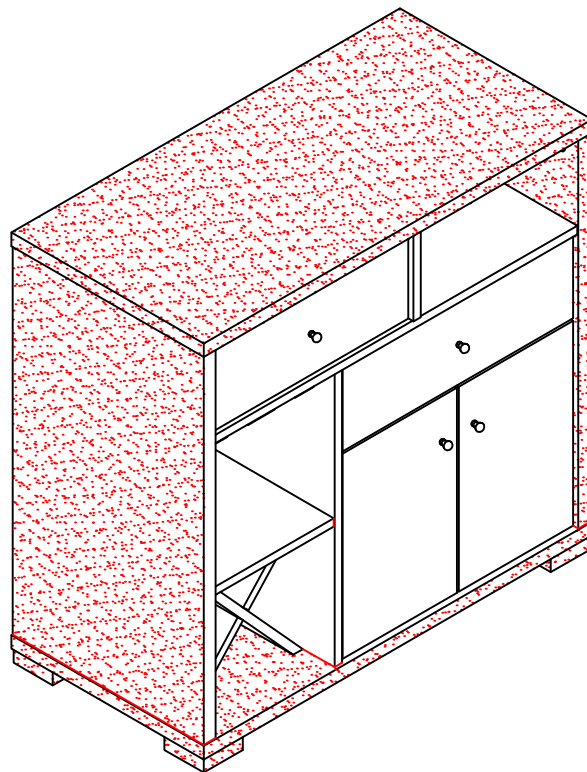
PLEASE READ BEFORE ASSEMBLING!

Tip #1: Make sure you've taken all the pieces and hardware out of its packaging before discarding the box.

Tip #2: Using page 2 and/or page 3 of instruction manual make sure all pieces and hardware are accounted for.

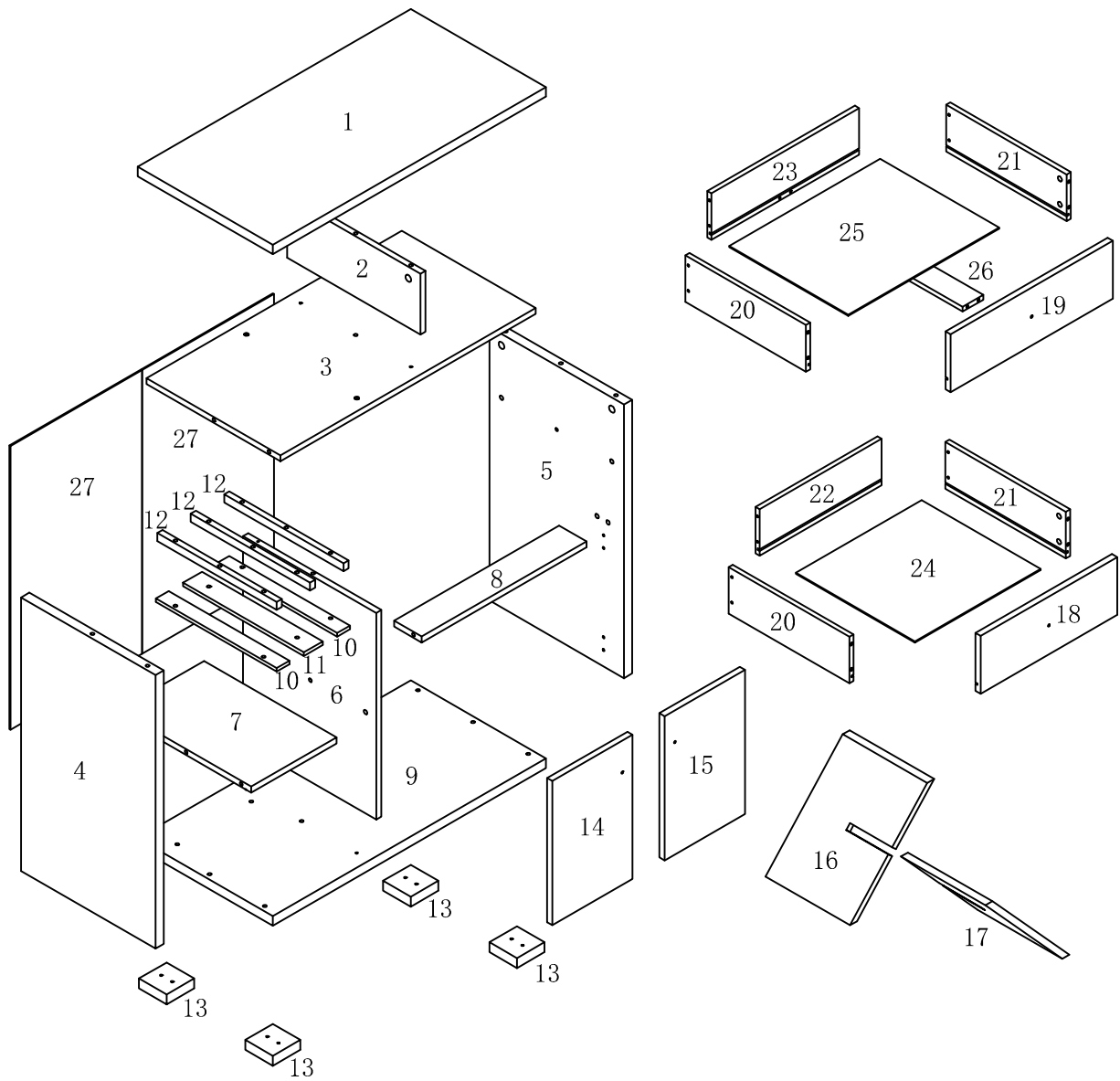
Tip #3: Read manual before assembling, it helps!

ITEM#: 171958 M202759



PARTS IDENTIFICATION

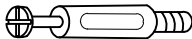


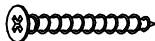











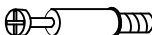




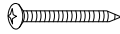
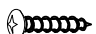

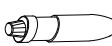
ITEM#: 171958 M202759



(1)	1pc	(8)	1pc	(15)	1pc	(22)	2pcs
(2)	1pc	(9)	1pc	(16)	1pc	(23)	1pc
(3)	1pc	(10)	2pcs	(17)	1pc	(24)	1pc
(4)	1pc	(11)	1pc	(18)	1pc	(25)	1pc
(5)	1pc	(12)	3pcs	(19)	1pc	(26)	1pc
(6)	1pc	(13)	4pcs	(20)	2pcs	(27)	2pcs
(7)	1pc	(14)	1pc	(21)	2pcs		

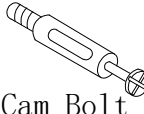

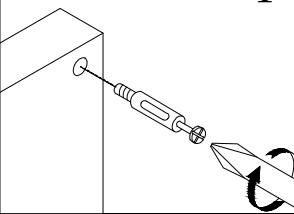
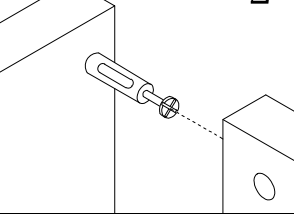
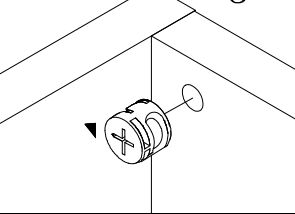
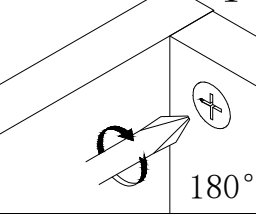
HARDWARE IDENTIFICATION

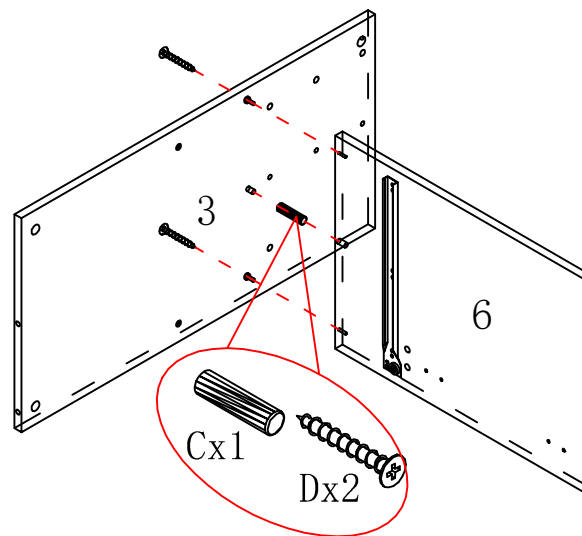
ITEM#: 171958 M202759

A		L29	18pcs
B		ϕ 15	18pcs
C		ϕ 8 x 25	17pcs
D		4 x 35	14pcs
E		ϕ 22 (BK)	2pcs
F		M7 x 48	4pcs
G		ϕ 8 x ϕ 16x2	4pcs
H			28pcs
I		ϕ 16	4pcs
J		M6 x 35	6pcs
K		301C	4pcs
L		ϕ 4 x 16	16pcs
M			4pcs
N		ϕ 4 x 22	4pcs
O		ϕ 4 x 30	10pcs
P		L20	8pcs
Q		ϕ 12	8pcs
R		ϕ 6 x 30	2pcs
S		ϕ 8x40	1pc
T		ϕ 12x12x1	2pcs
U		ϕ 5x40	1pc
V		ϕ 4x25	1pc
W		197 x 5 x 1	1pc
X		Glue: For securing please apply to wood dowel first before inserting into panel	1pc

ASSEMBLY INSTRUCTION

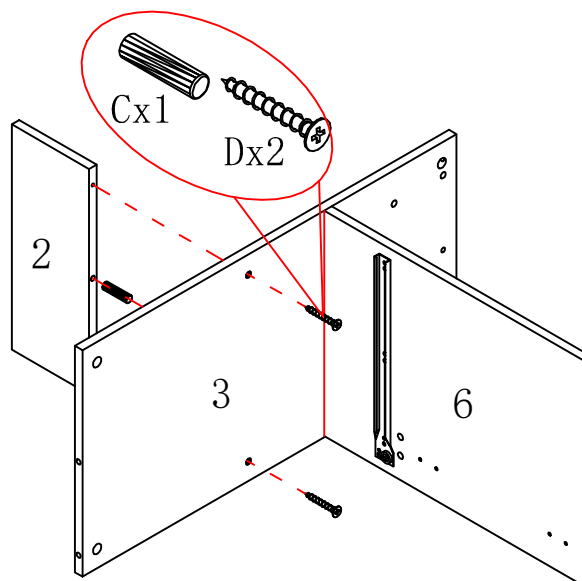
ITEM#: 171958 M202759

HOW TO	1	2	3	4
 Cam Bolt  Cam Lock				 180°
	1. Screw Cam Bolt into panel.	2. Insert Cam Bolt into bolt hole of joining panel.	3. Insert Cam Lock. arrow facing bolt.	4. Gently turn Cam Lock clockwise to lock position.



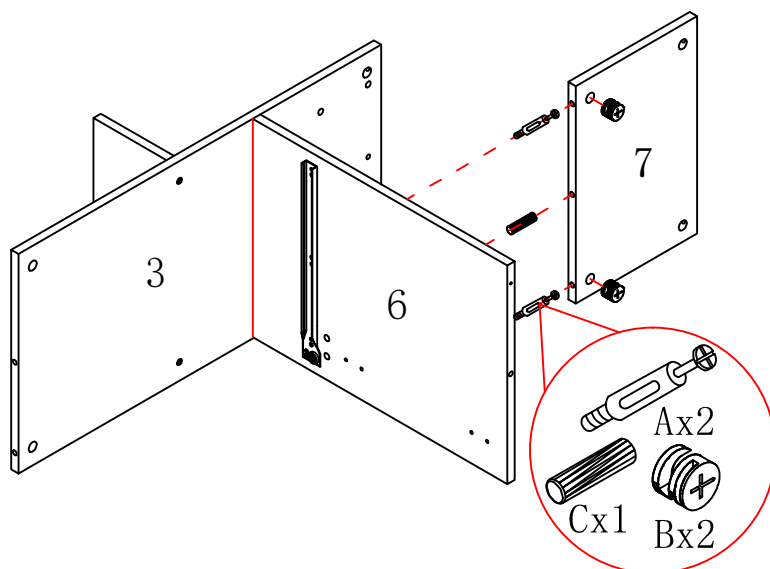
STEP 1

STEP 2



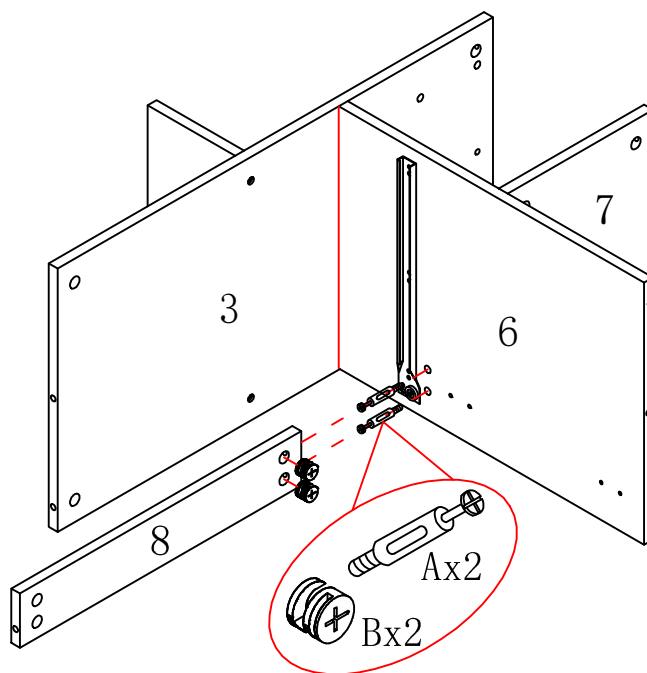
ASSEMBLY INSTRUCTION

ITEM#: 171958 M202759



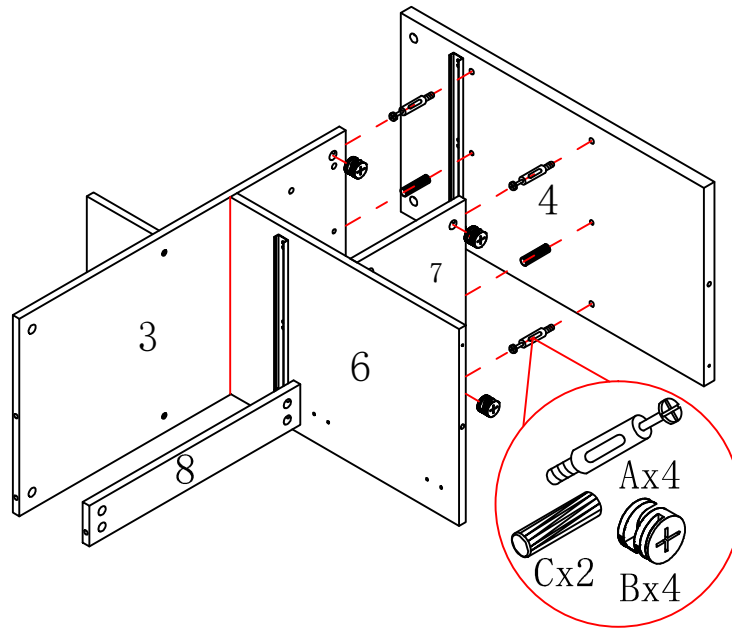
STEP3

STEP4



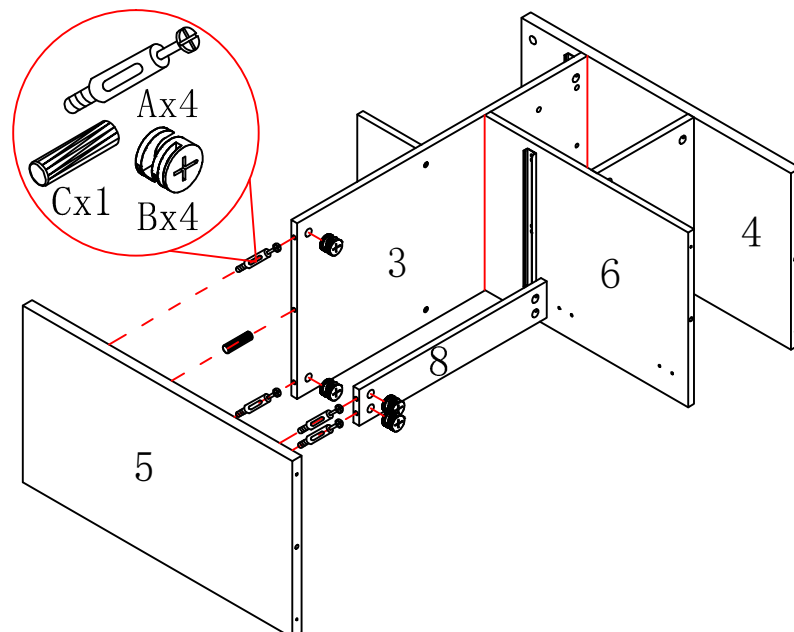
ASSEMBLY INSTRUCTION

ITEM#: 171958 M202759



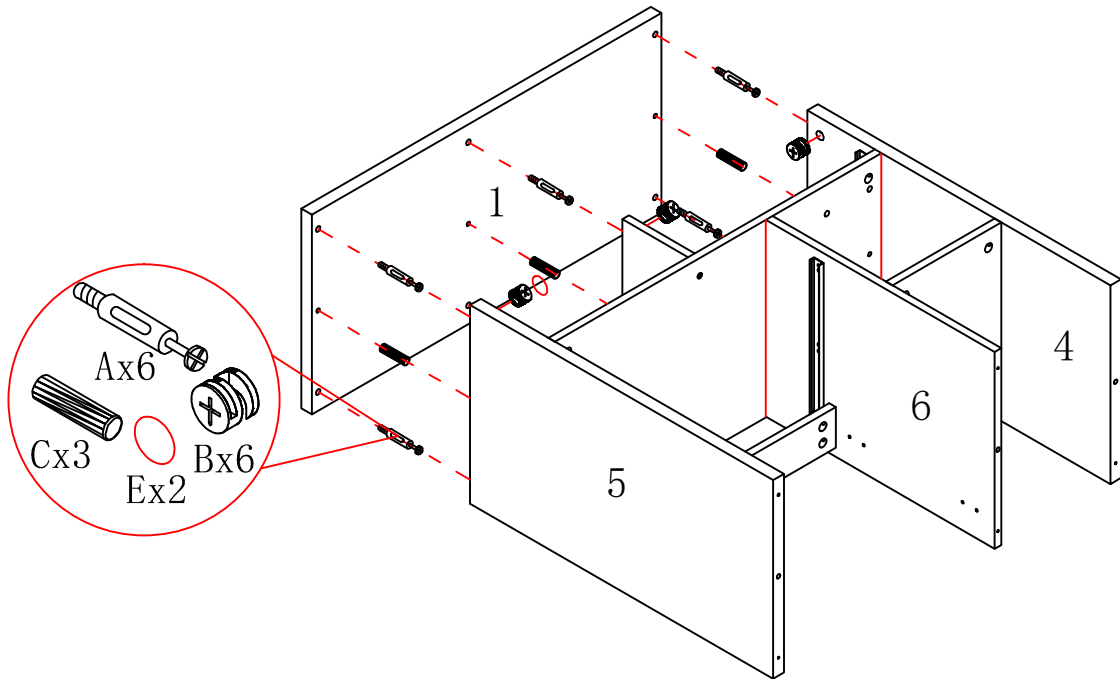
STEP5

STEP6



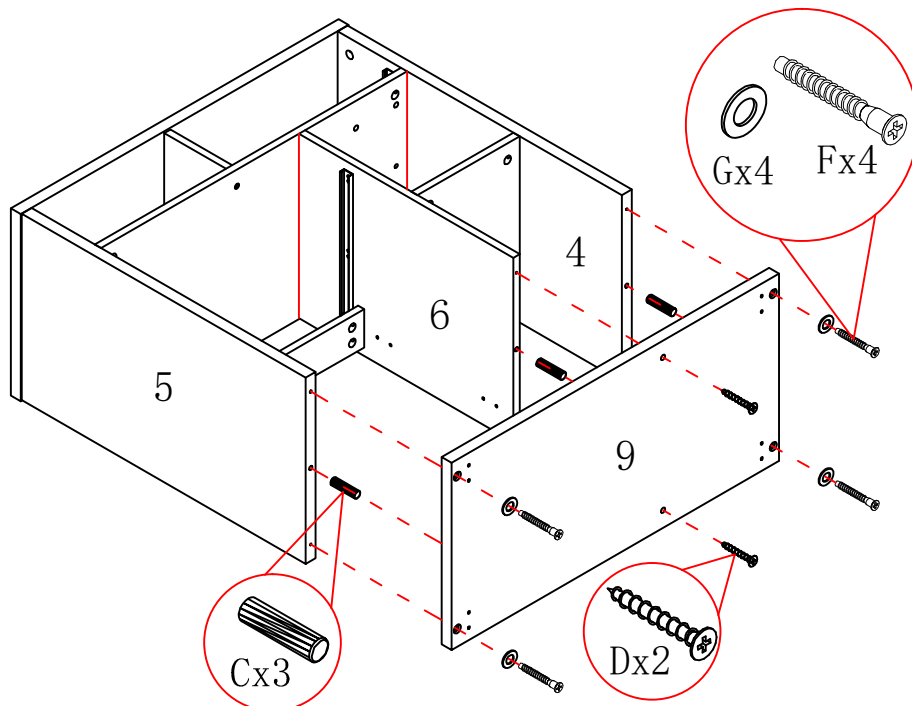
ASSEMBLY INSTRUCTION

ITEM#: 171958 M202759



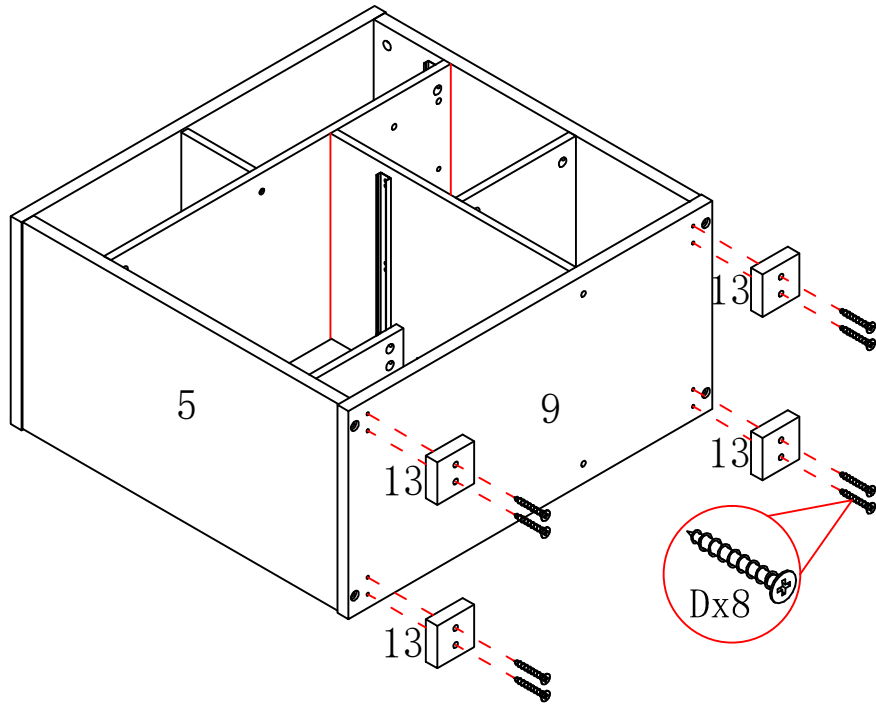
STEP7

STEP8



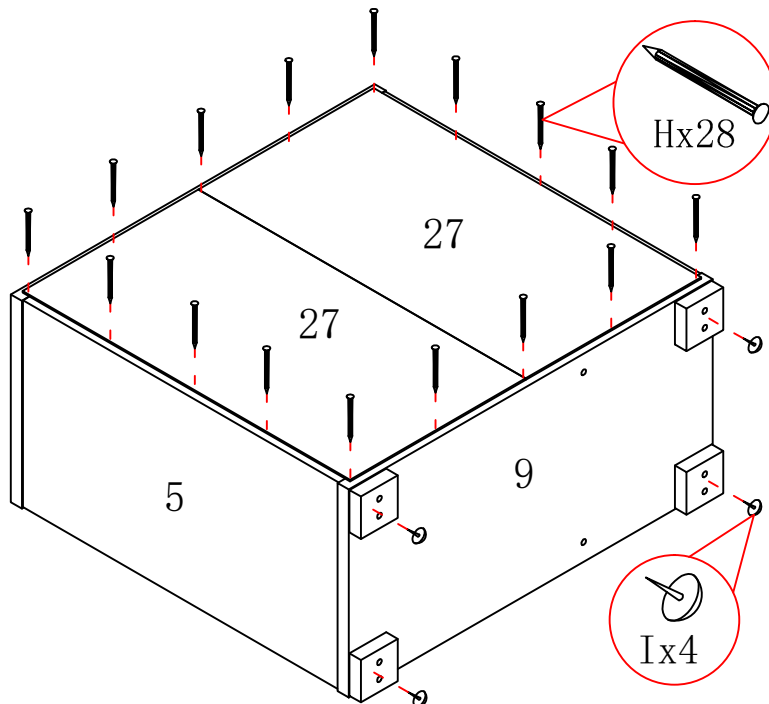
ASSEMBLY INSTRUCTION

ITEM#: 171958 M202759



STEP9

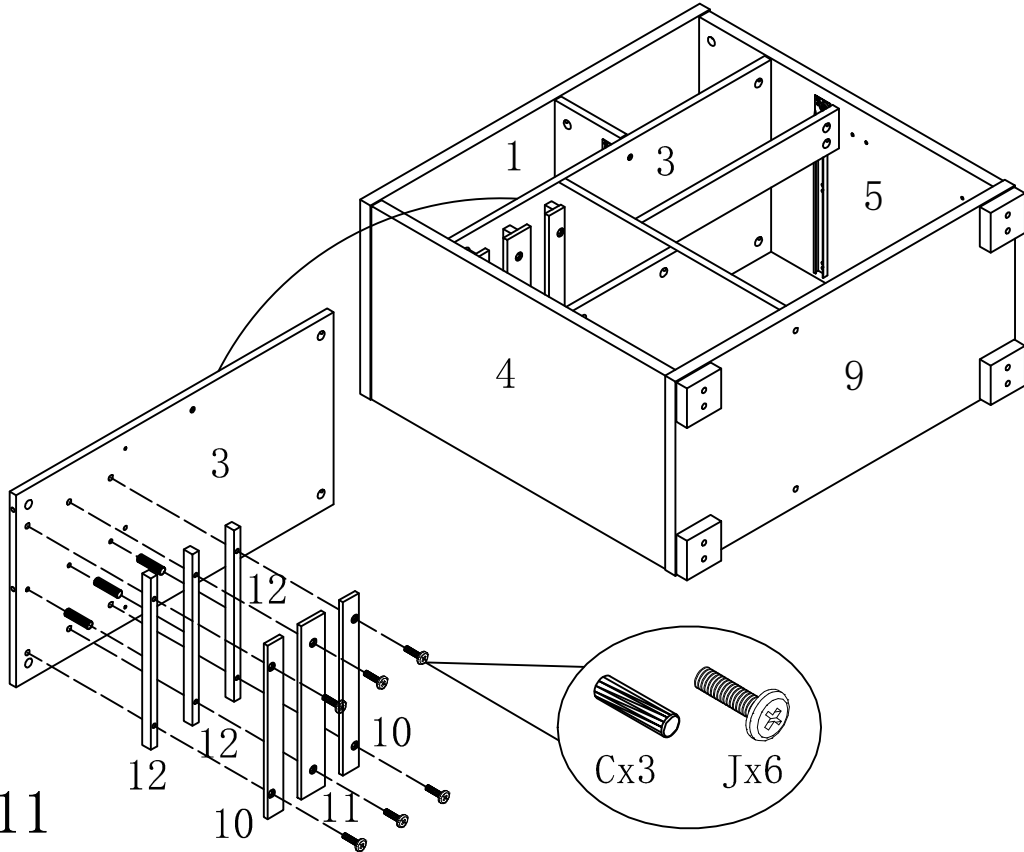
STEP10



PAGE:8 OF 15

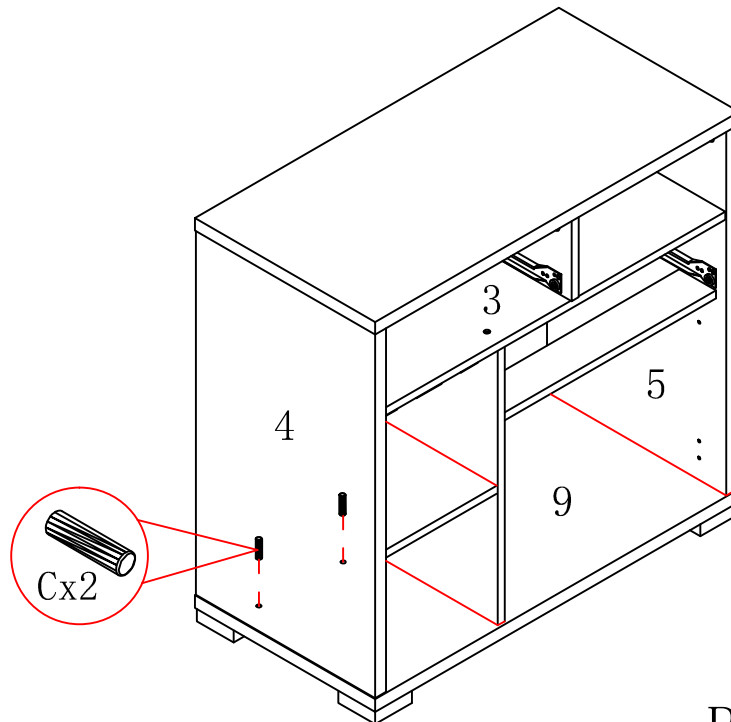
ASSEMBLY INSTRUCTION

ITEM#: 171958 M202759



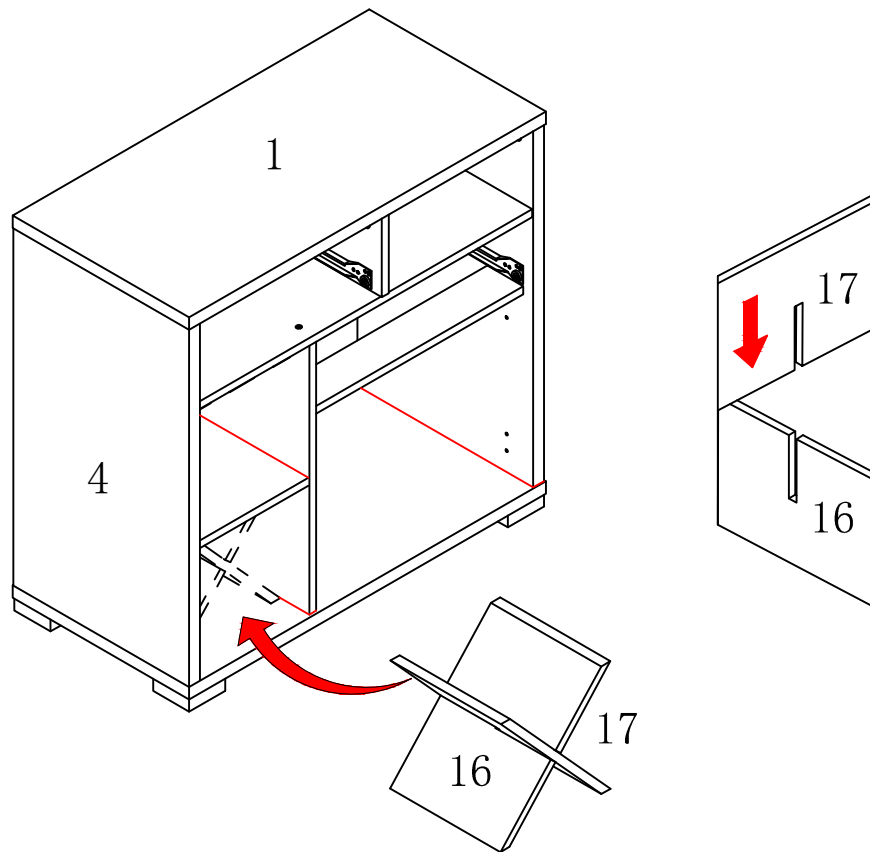
STEP 11

STEP 12



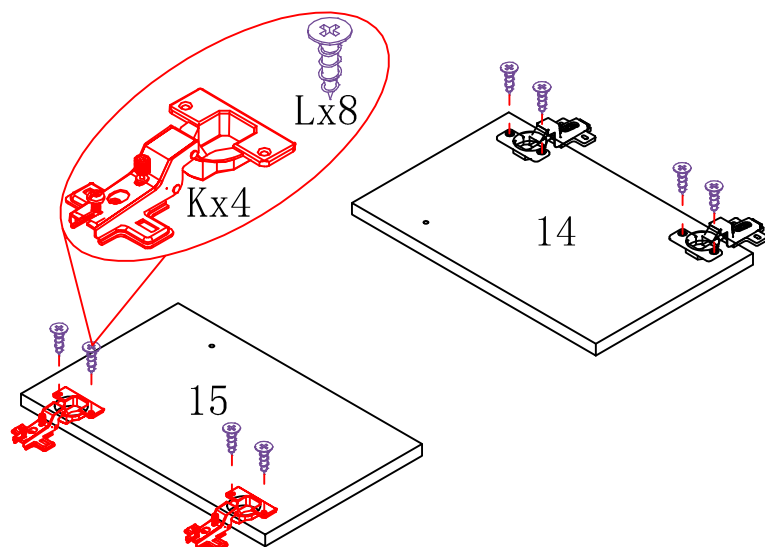
ASSEMBLY INSTRUCTION

ITEM#: 171958 M202759



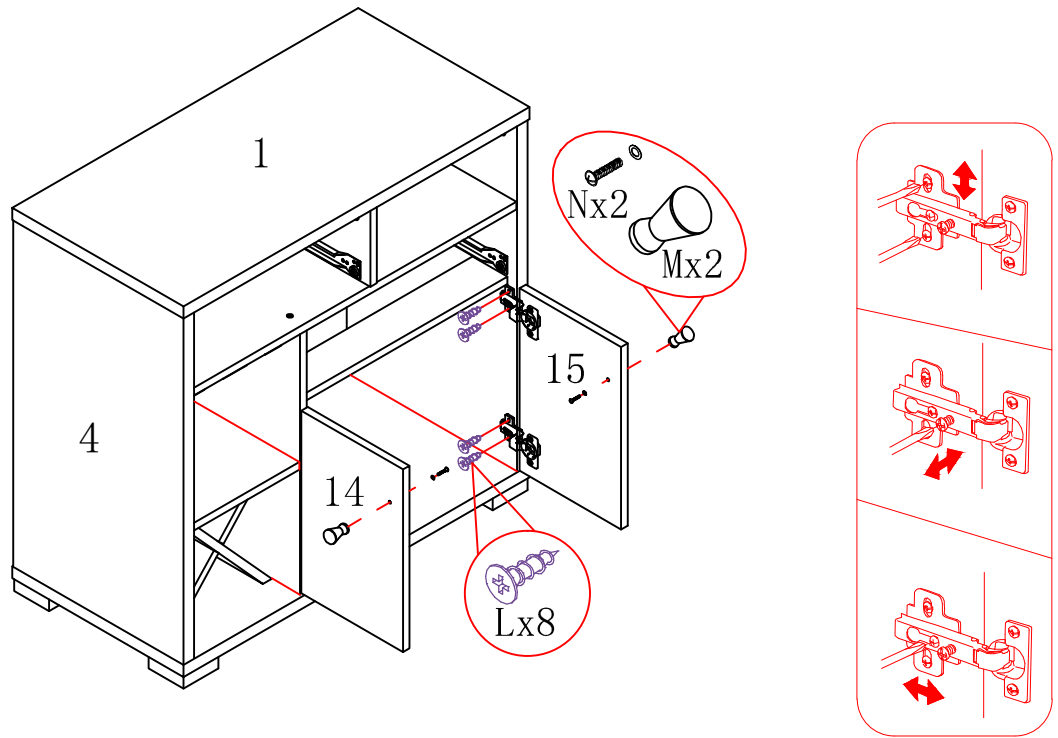
STEP13

STEP14



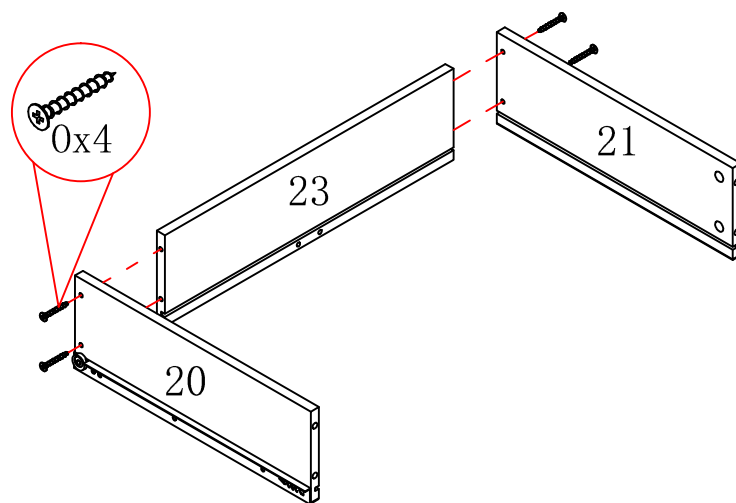
ASSEMBLY INSTRUCTION

ITEM#: 171958 M202759



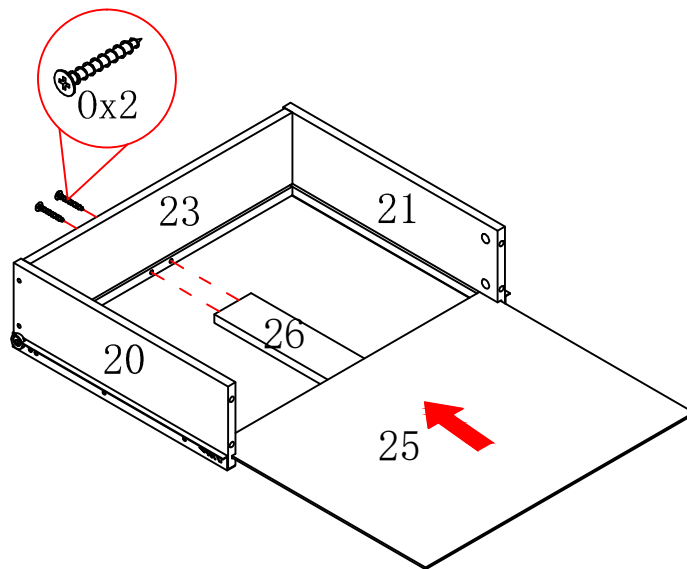
STEP 15

STEP 16



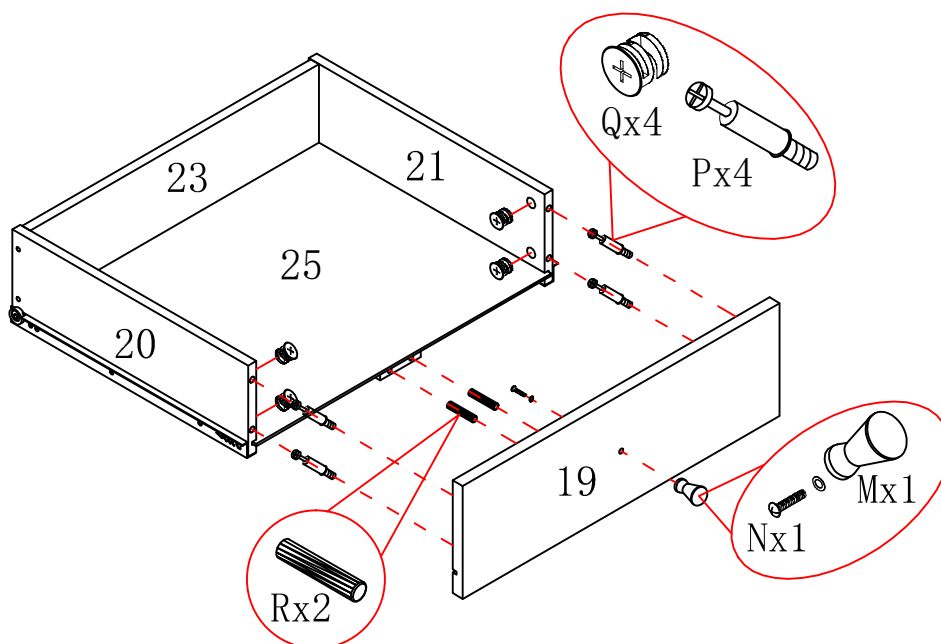
ASSEMBLY INSTRUCTION

ITEM#: 171958 M202759



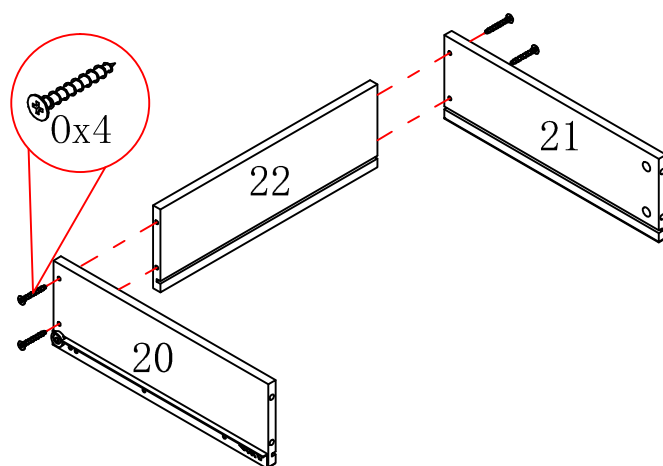
STEP17

STEP18



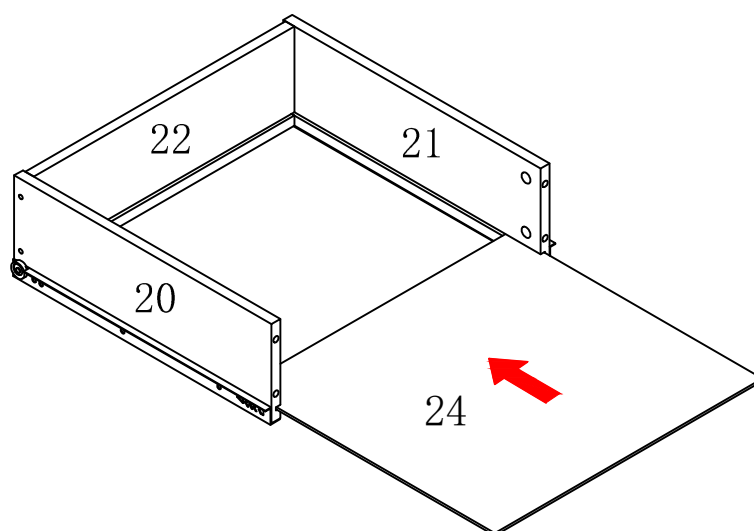
ASSEMBLY INSTRUCTION

ITEM#: 171958 M202759



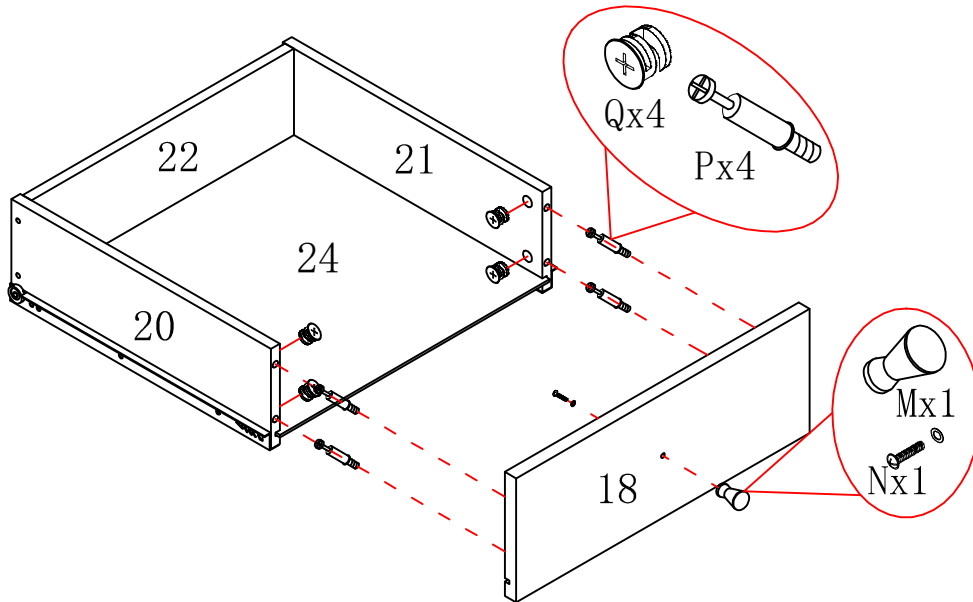
STEP19

STEP20



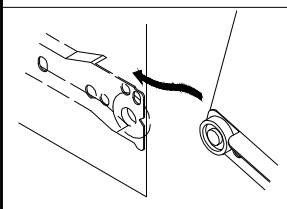
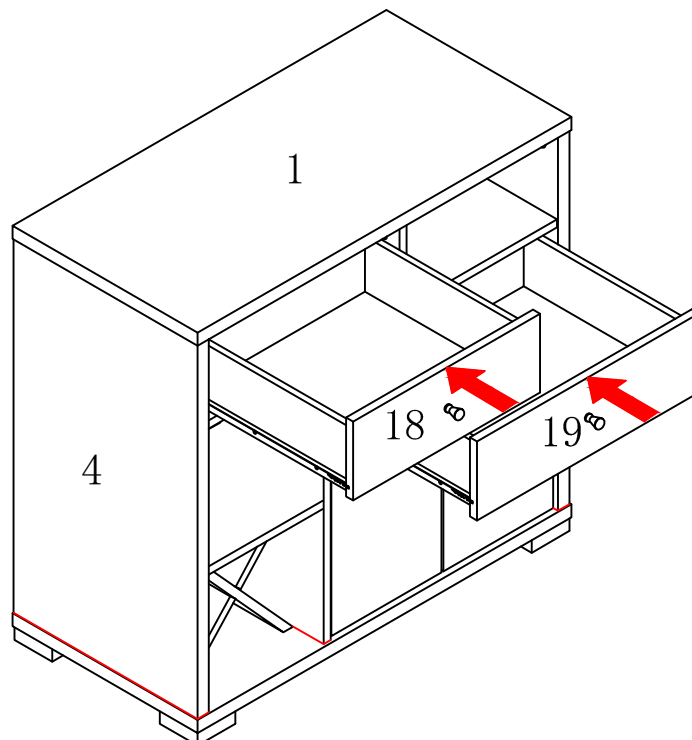
ASSEMBLY INSTRUCTION

ITEM#: 171958 M202759



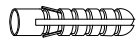
STEP21

STEP22

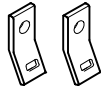


ANTI-TIPPING STRAP INSTRUCTION

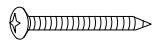
HARDWARE (INCLUDED) :



DRYWALL ANCHOR $\phi 8 \times 40$ X 1PC



METAL BRACKETS $12 \times 12 \times 1$ X 2PCS



DRYWALL SCREW $\phi 5 \times 40$ X 1PC

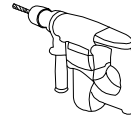


STRAP $197 \times 5 \times 1$ X 1PC



FLATHEAD SCREW $\phi 4 \times 25$ X 1PC

TOOLS NEEDED (NOT INCLUDED) :



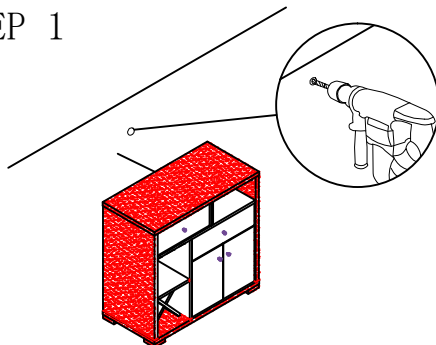
DRILL & DRILL BIT



LIGHT HAMMER

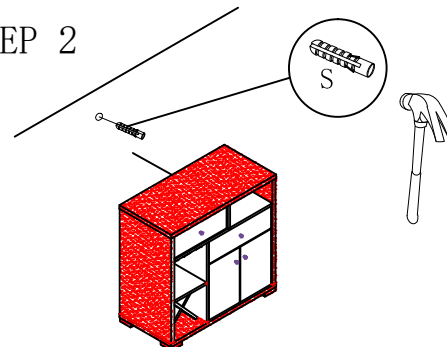
Note: Hardware included only compatible with standard drywalls.

STEP 1



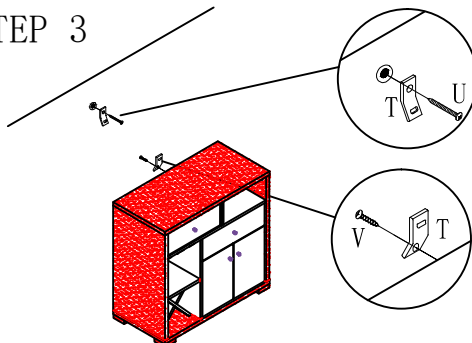
1. Find spot on wall 1" below top of item.
2. Using a drill bit slightly thinner than anchor, drill hole into drywall.

STEP 2



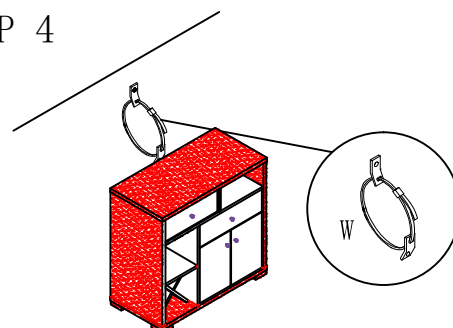
1. Use a light hammer to tap anchor into hole.
2. Anchor should fit snugly. If hole is too small, drill again to increase hole size. Do not force anchor into wall.

STEP 3



1. Insert drywall screw into metal bracket and into drywall anchor.
2. Insert flathead screw into second metal bracket and into back of item, along top edge.

STEP 4



1. Insert strap thru bracket attached to wall, then thru bracket on item, and into head of strap.
 2. pull lightly til strap stops.
- Assembly is complete.