

ASSEMBLY INSTRUCTION

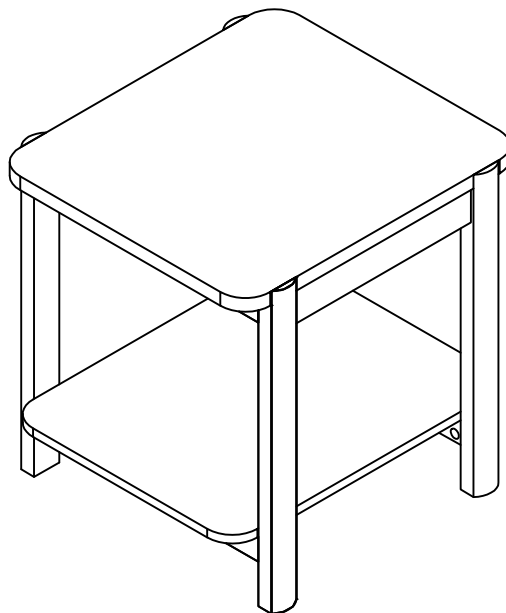
PLEASE READ BEFORE ASSEMBLING!

Tip #1: Make sure you've taken all the pieces and hardware out of its packaging before discarding the box.

Tip #2: Using page 2 and/or page 3 of instruction manual make sure all pieces and hardware are accounted for.

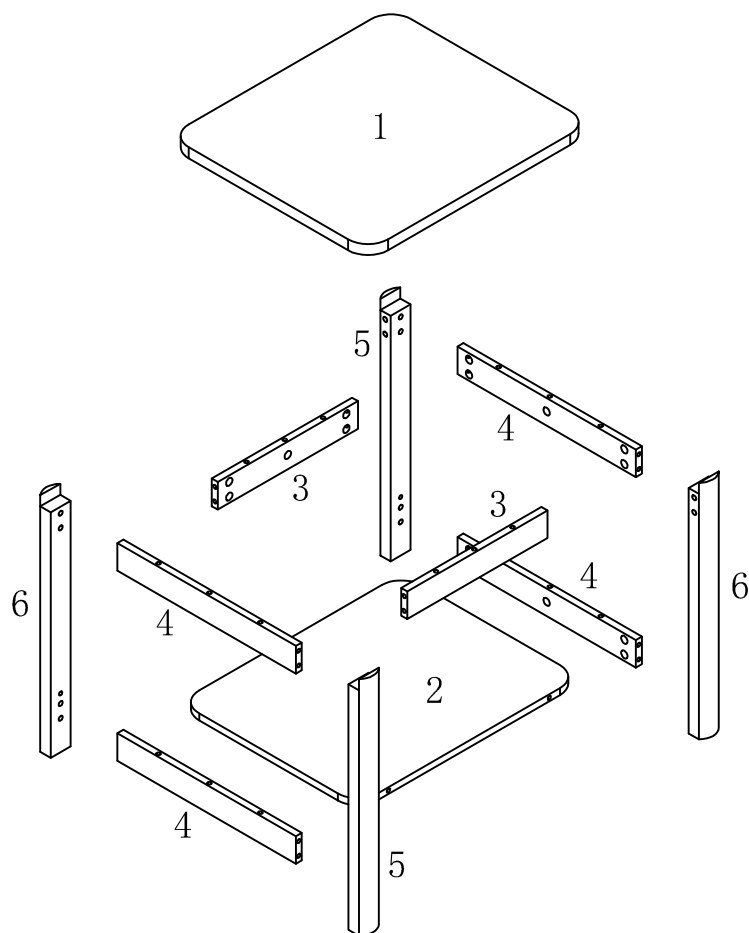
Tip #3: Read manual before assembling, it helps!

ITEM#:M202762



PARTS IDENTIFICATION




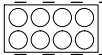

ITEM#:M202762

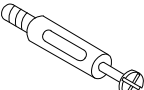

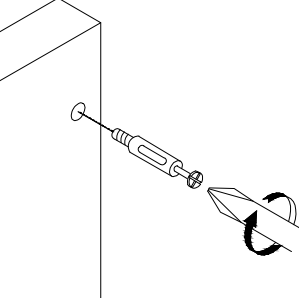
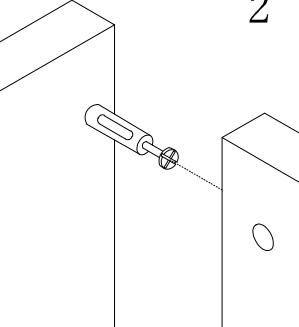
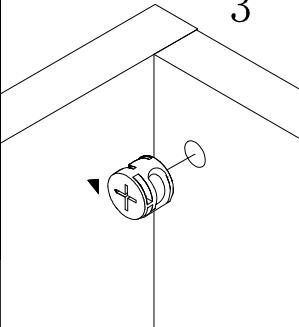
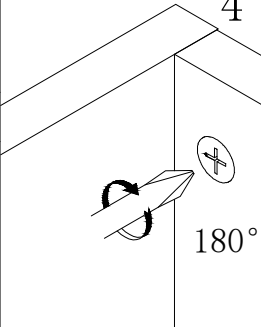


- | | |
|-----|------|
| (1) | 1pc |
| (2) | 1pc |
| (3) | 2pcs |
| (4) | 4pcs |
| (5) | 2pcs |
| (6) | 2pcs |

HARDWARE IDENTIFICATION

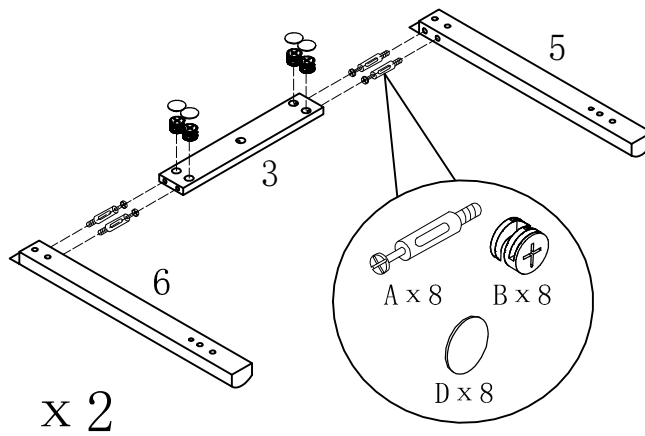
ITEM#:M202762

A		L29	30pcs
B		15	30pcs
C		8x25	16pcs
D		22	30pcs
E		16	4pcs

<p>HOW TO</p>  <p>Cam Bolt</p>  <p>Cam Lock</p>	<p>1</p> 	<p>2</p> 	<p>3</p> 	<p>4</p>  <p>180°</p>
	<p>1. Screw Cam Bolt into panel.</p>	<p>2. Insert Cam Bolt into bolt hole of joining panel.</p>	<p>3. Insert Cam Lock. arrow facing bolt.</p>	<p>4. Gently turn Cam Lock clockwise to lock position.</p>

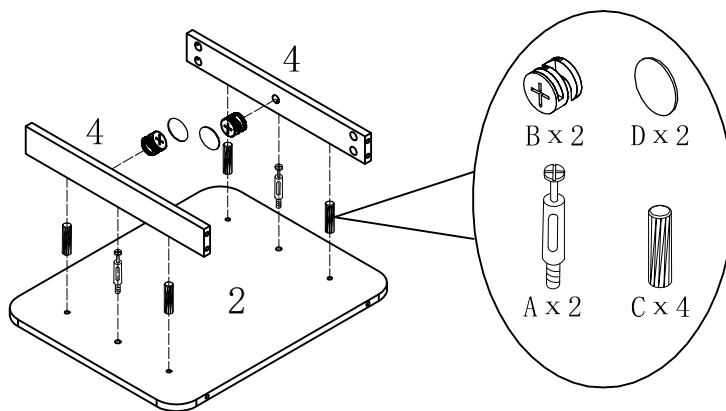
ASSEMBLY INSTRUCTION

ITEM#:M202762



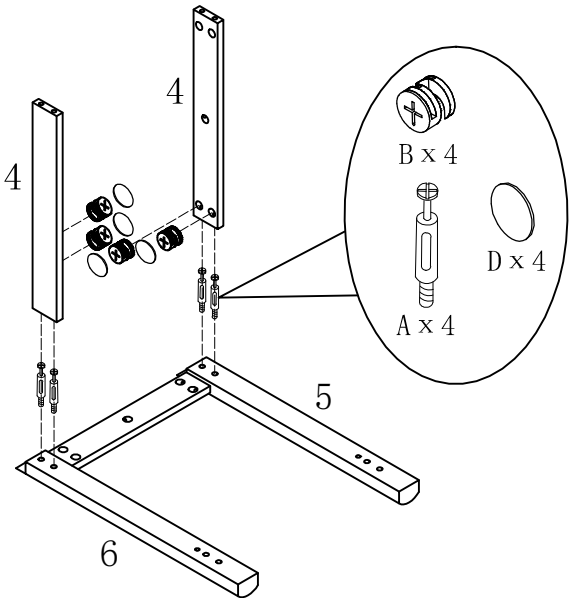
STEP1

STEP2



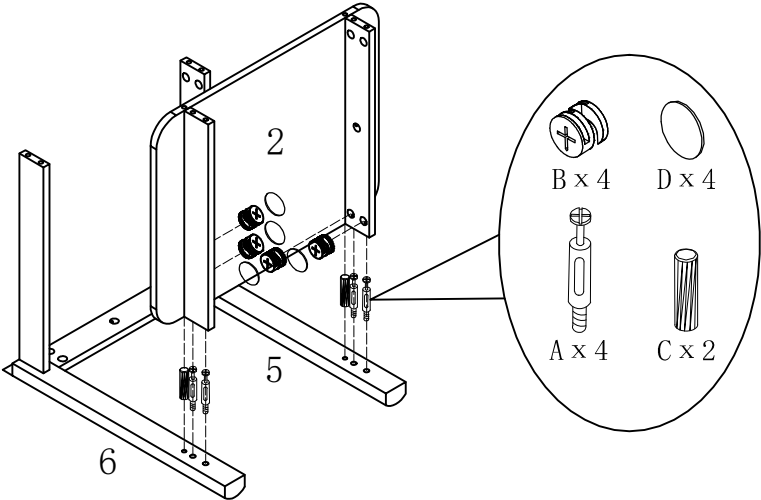
ASSEMBLY INSTRUCTION

ITEM#: M202762



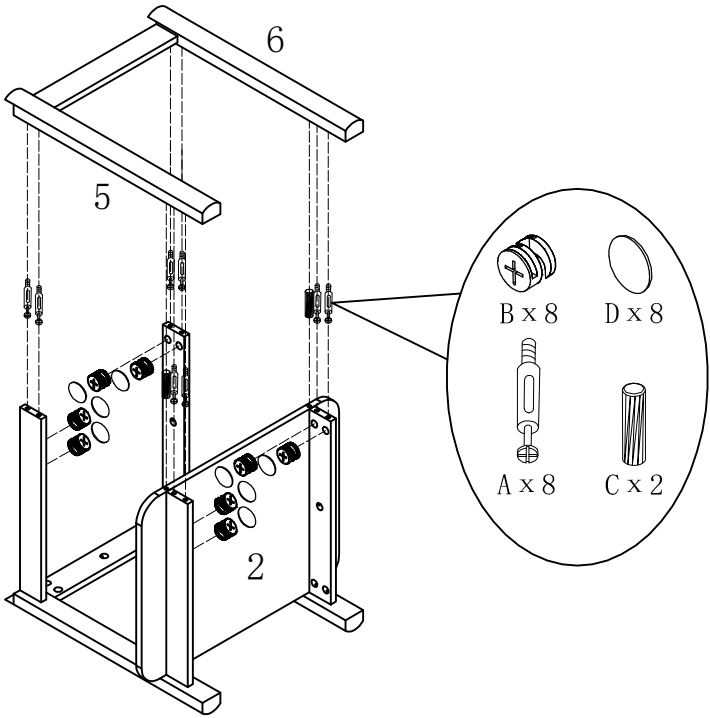
STEP3

STEP4



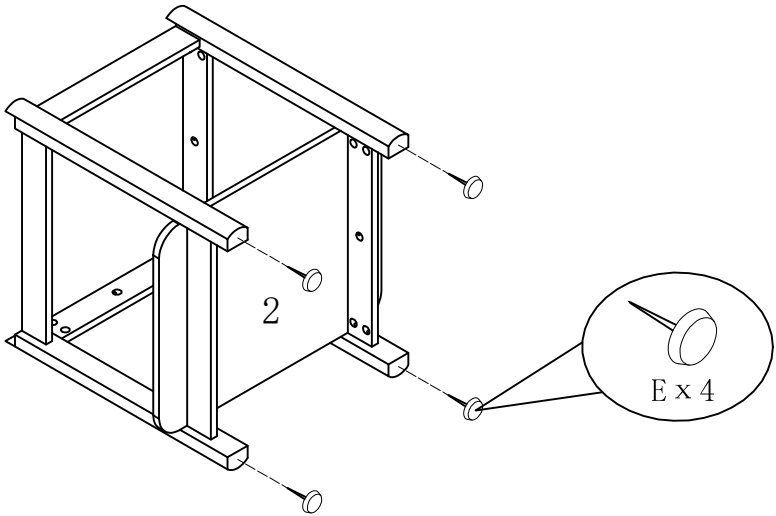
ASSEMBLY INSTRUCTION

ITEM#: M202762



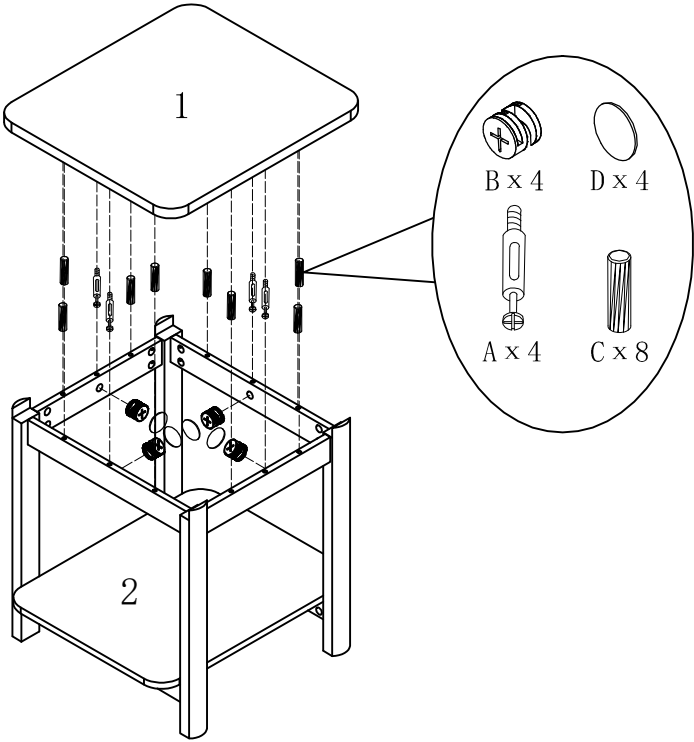
STEP5

STEP6



ASSEMBLY INSTRUCTION

ITEM#: M202762



STEP 7

STEP 8

