

ASSEMBLY INSTRUCTION

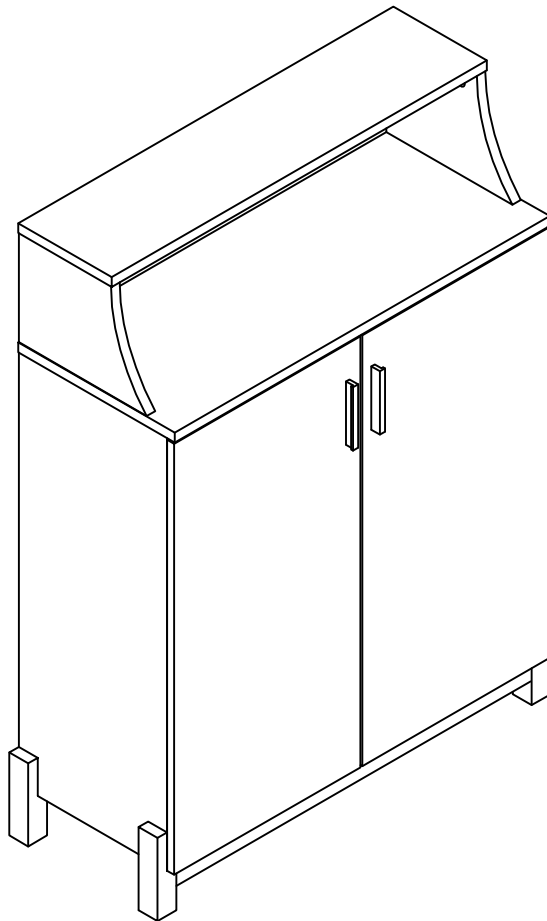
PLEASE READ BEFORE ASSEMBLING!

Tip #1: Make sure you've taken all the pieces and hardware out of its packaging before discarding the box.

Tip #2: Using page 2 and/or page 3 of instruction manual make sure all pieces and hardware are accounted for.

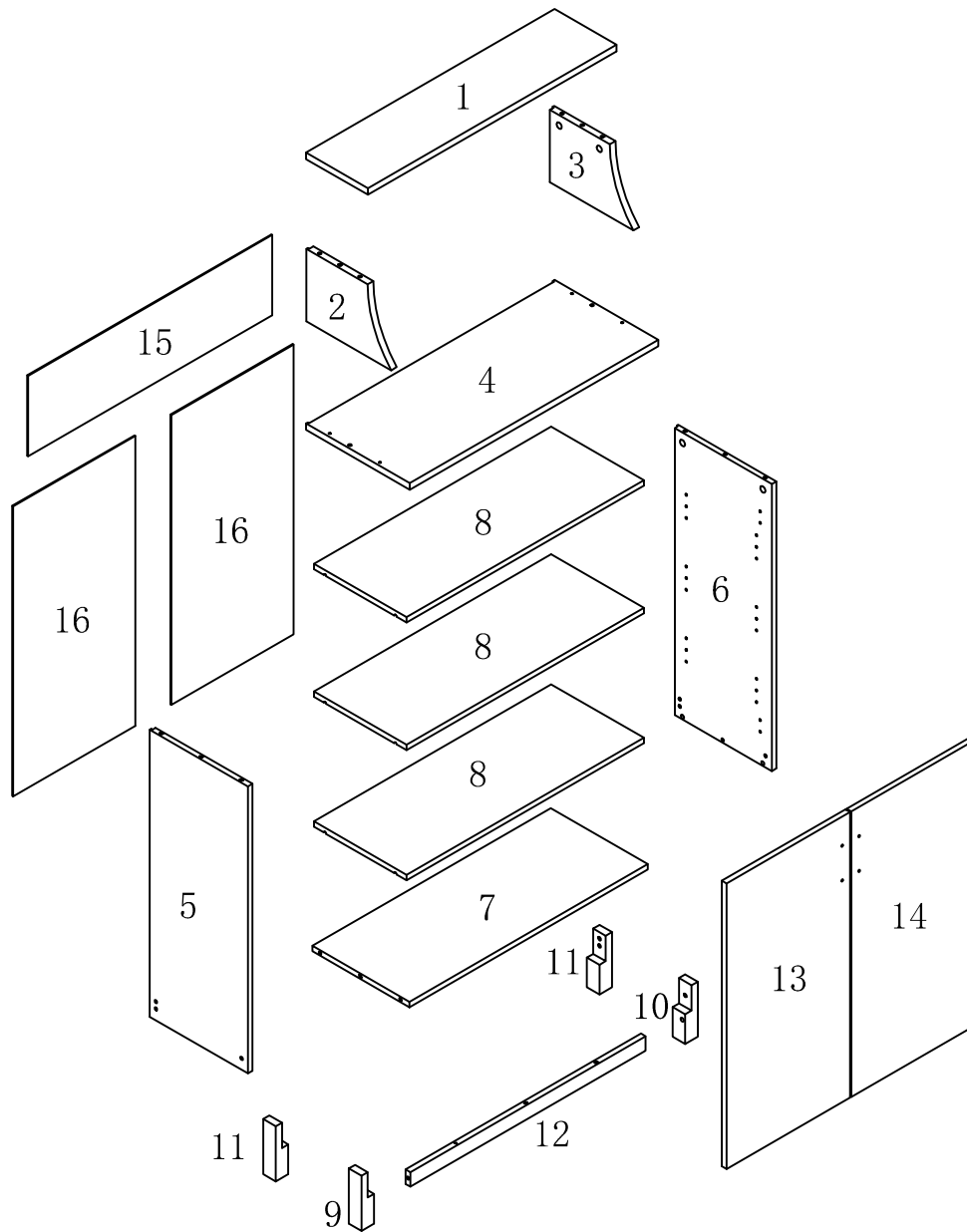
Tip #3: Read manual before assembling, it helps!

ITEM#: 182351



PARTS IDENTIFICATION





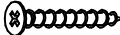





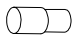


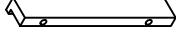







ITEM#: 182351



(1)	1pc	(9)	1pc
(2)	1pc	(10)	1pc
(3)	1pc	(11)	2pcs
(4)	1pc	(12)	1pc
(5)	1pc	(13)	1pc
(6)	1pc	(14)	1pc
(7)	1pc	(15)	1pc
(8)	3pcs	(16)	2pcs

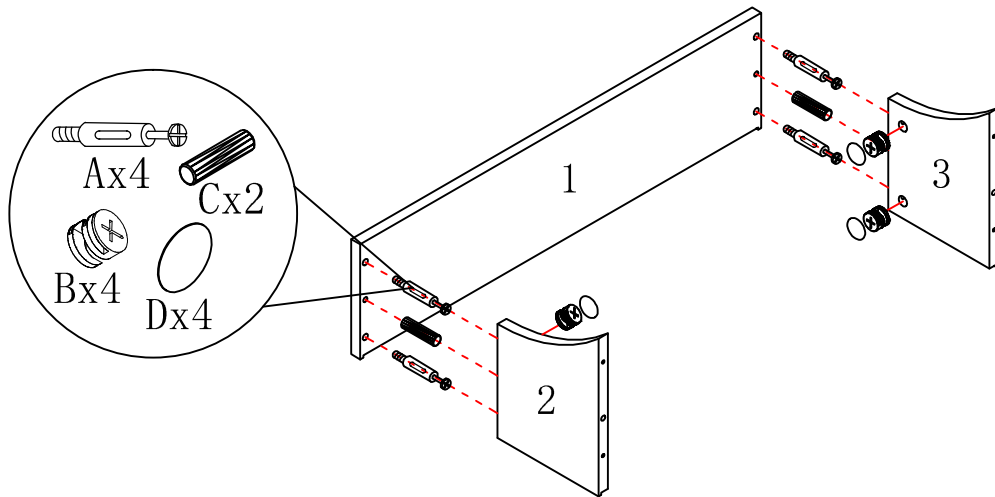
HARDWARE IDENTIFICATION

ITEM#: 182351

A		L29	16pcs
B		Φ 15	16pcs
C		Φ 8 x 25	9pcs
D		Φ 22	8pcs
E		4 x 40	4pcs
F		M6 x 25	6pcs
G		Φ 16	4pcs
H			36pcs
I			1pc
J		3 x 16	2pcs
K		5 x 15	12pcs
L		301A	4pcs
M		4 x 16	16pcs
N		96#	2pcs
O		4 x 22	4pcs
P		197×5×1	1pc
Q		12×12×1	2pcs
R		Φ4X25	1pc
S		Φ5X40	1pc
T		Φ8X40	1pc
U		Glue: For securing please apply to wood dowel first before inserting into panel	1pc

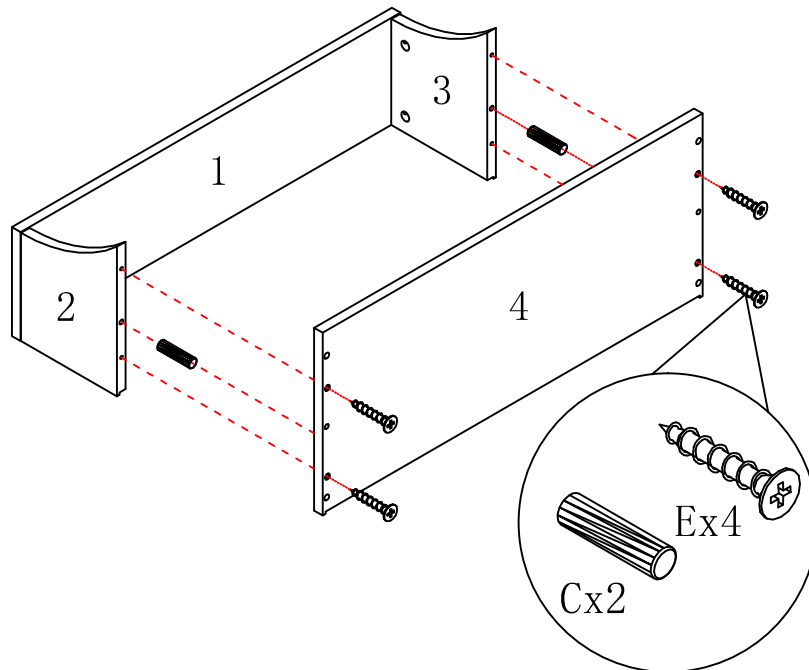
ASSEMBLY INSTRUCTION

ITEM#: 182351



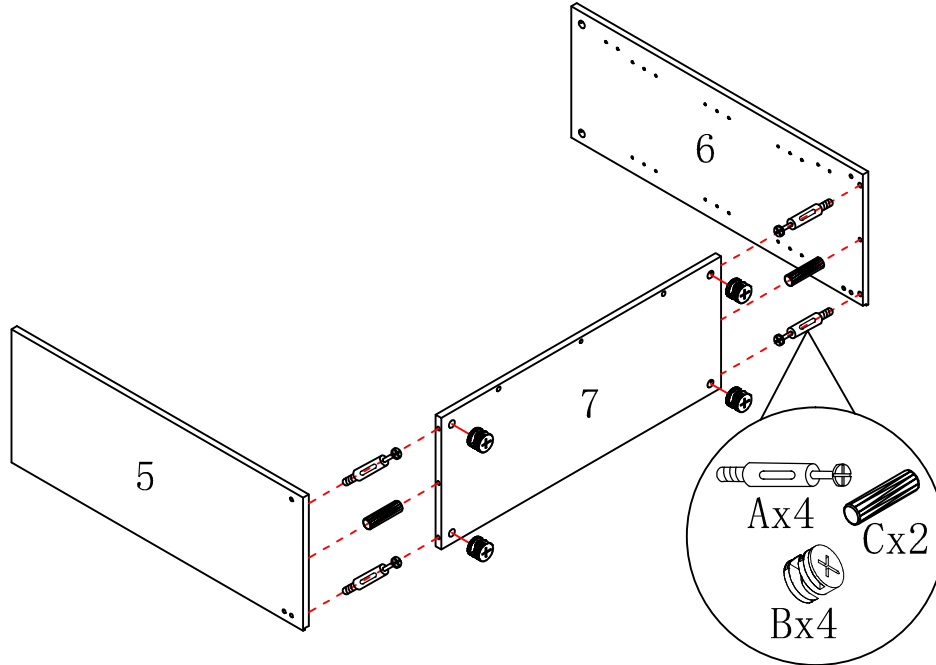
STEP 1

STEP 2



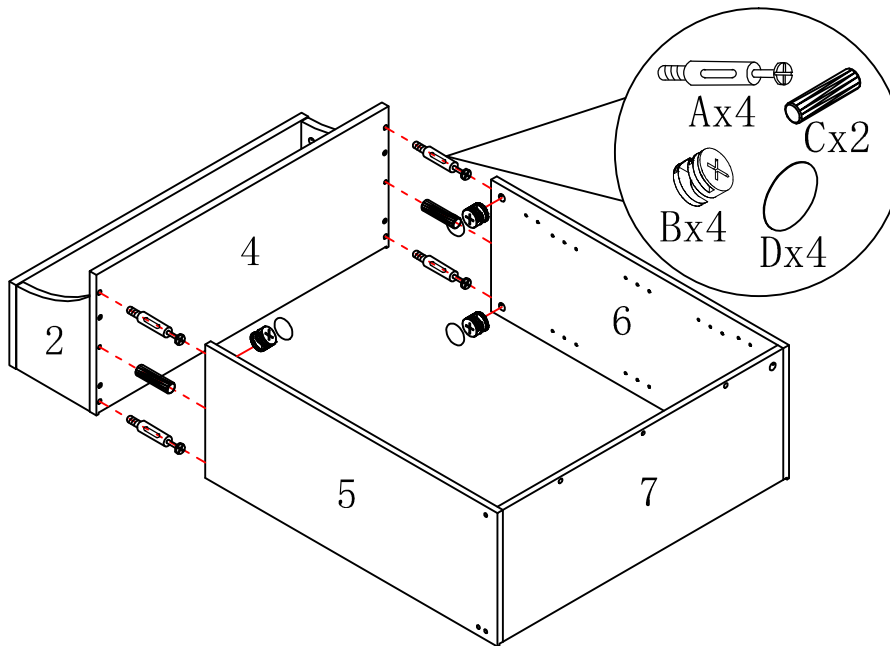
ASSEMBLY INSTRUCTION

ITEM#: 182351



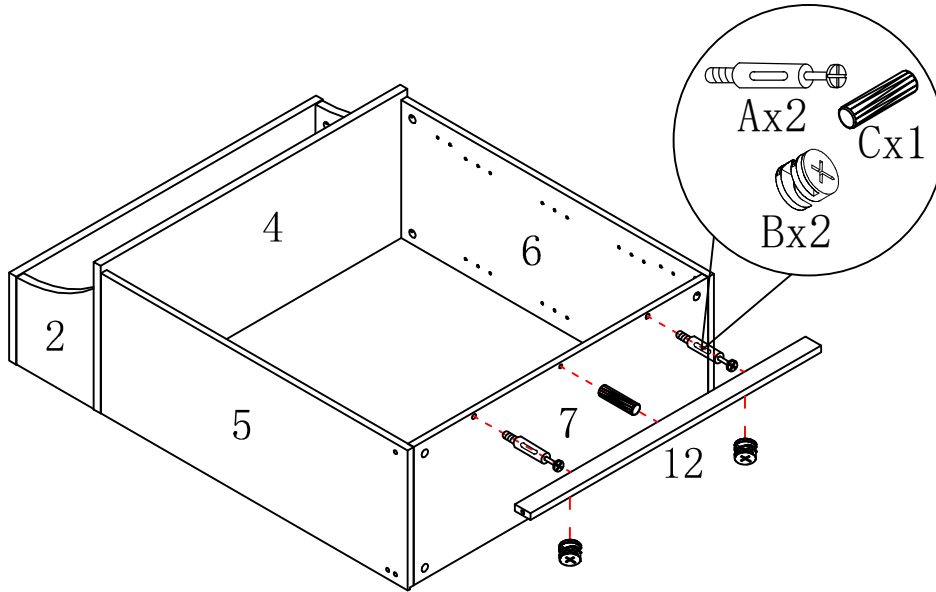
STEP3

STEP4



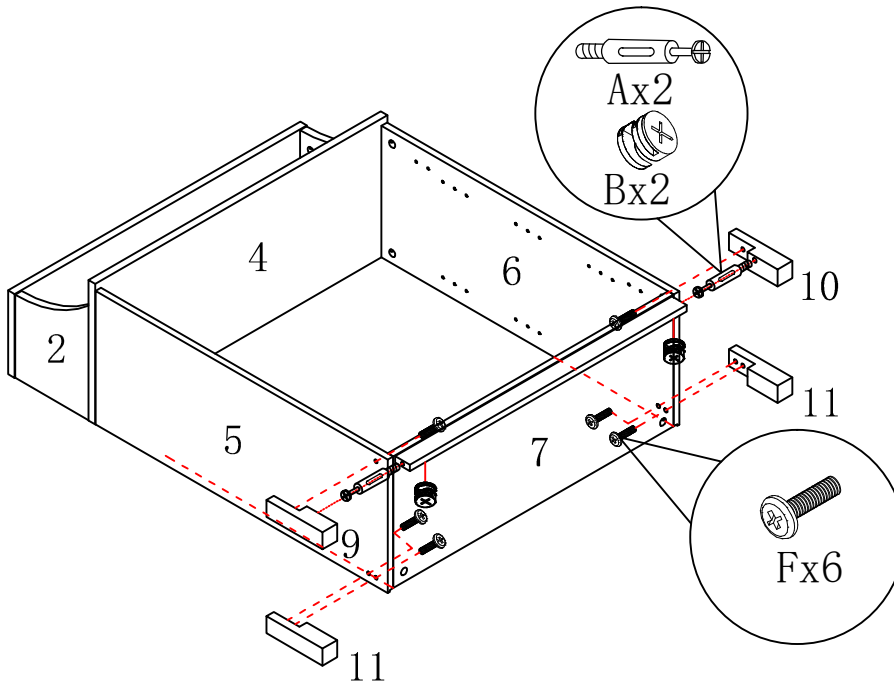
ASSEMBLY INSTRUCTION

ITEM#: 182351



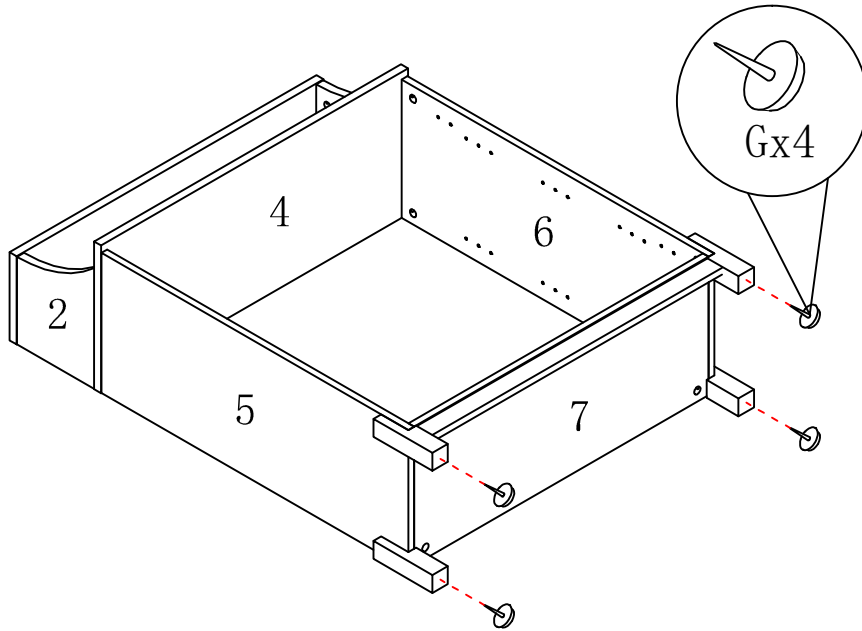
STEP5

STEP6



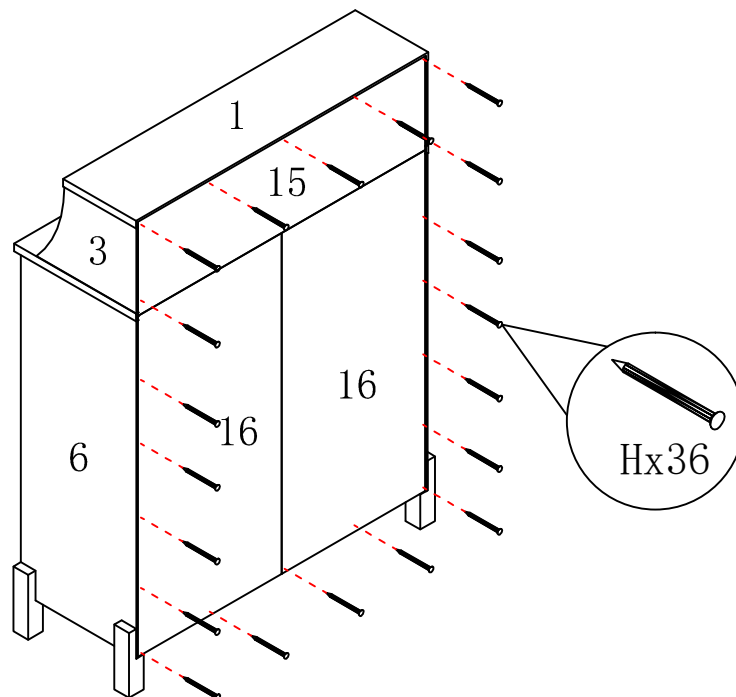
ASSEMBLY INSTRUCTION

ITEM#: 182351



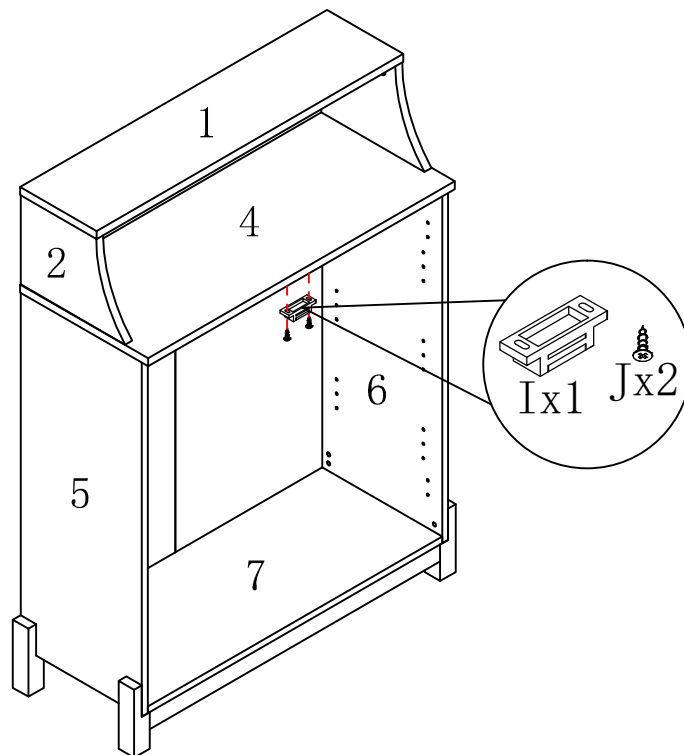
STEP7

STEP8



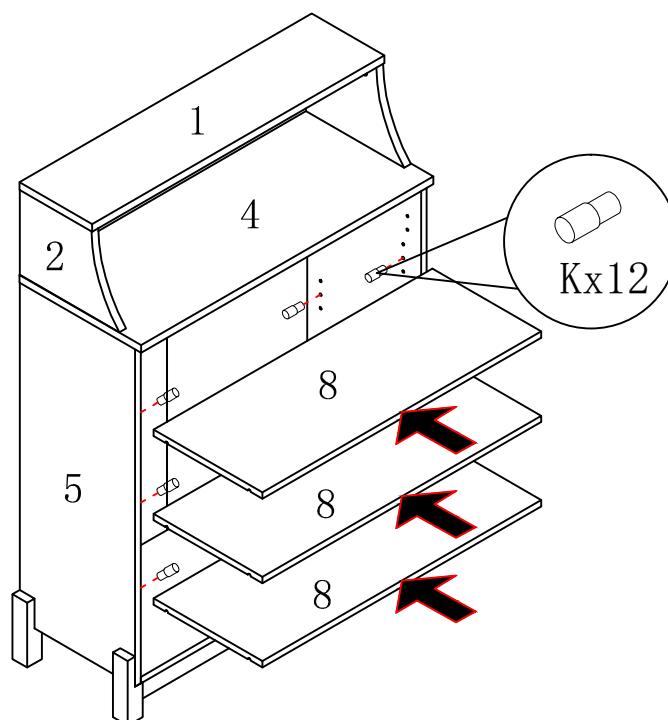
ASSEMBLY INSTRUCTION

ITEM#: 182351



STEP9

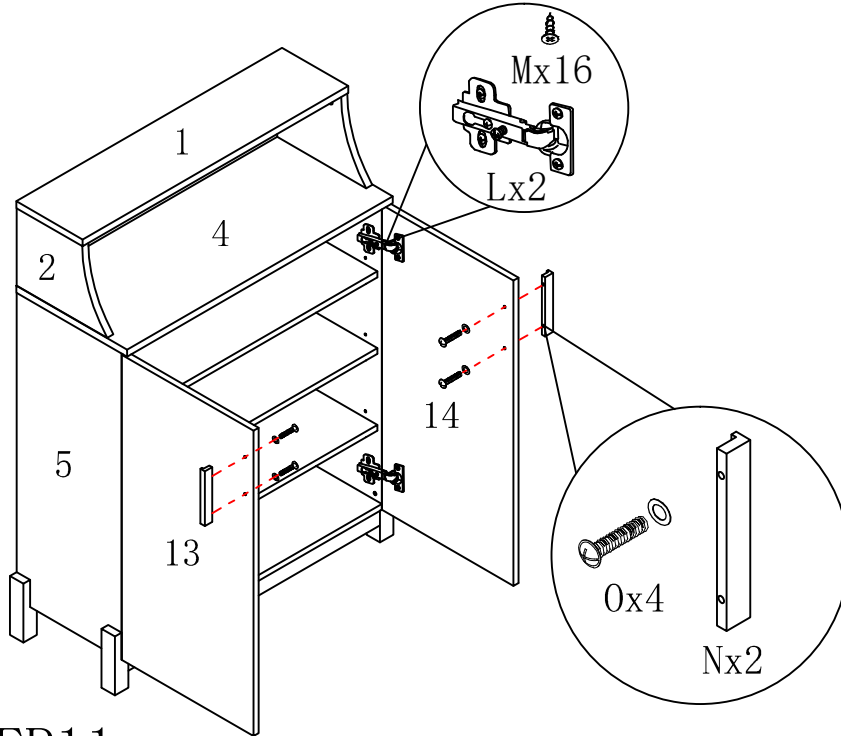
STEP10



PAGE:8 OF 10

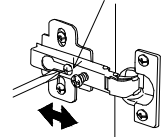
ASSEMBLY INSTRUCTION

ITEM#: 182351

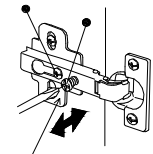
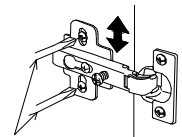


STEP 11

To adjust the door in or out, loosen this screw and push the door further in or push further out then retighten screws.

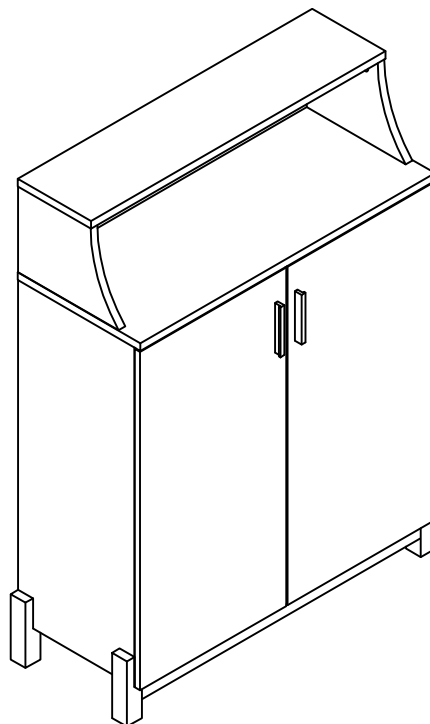


To adjust the door vertically, loosen the top and bottom screws, push the door up or down as necessary, then retighten screws.



To adjust the door left/right, turn this screw clockwise to move this corner of the door toward the frame, or counterclockwise to move door away from the frame.

STEP 12

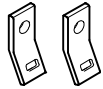


ANTI-TIPPING STRAP INSTRUCTION

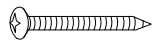
HARDWARE (INCLUDED) :



DRYWALL ANCHOR $\phi 8 \times 40$ X 1PC



METAL BRACKETS $12 \times 12 \times 1$ X 2PCS



DRYWALL SCREW $\phi 5 \times 40$ X 1PC

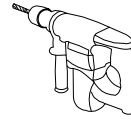


STRAP $197 \times 5 \times 1$ X 1PC



FLATHEAD SCREW $\phi 4 \times 25$ X 1PC

TOOLS NEEDED (NOT INCLUDED) :



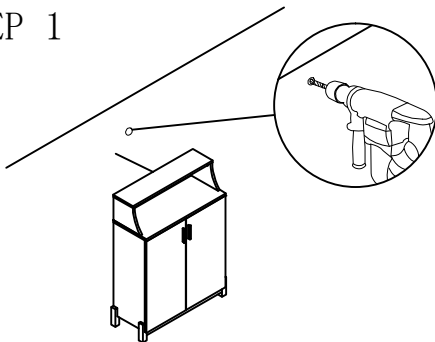
DRILL & DRILL BIT



LIGHT HAMMER

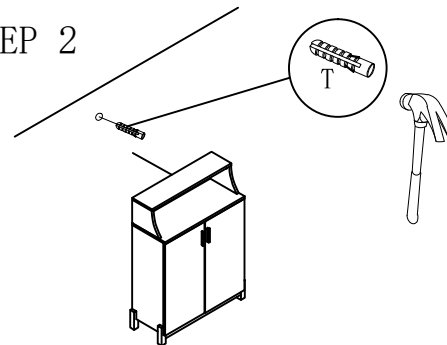
Note: Hardware included only compatible with standard drywalls.

STEP 1



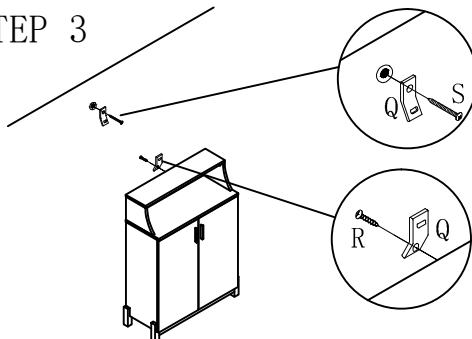
1. Find spot on wall 1" below top of item.
2. Using a drill bit slightly thinner than anchor, drill hole into drywall.

STEP 2



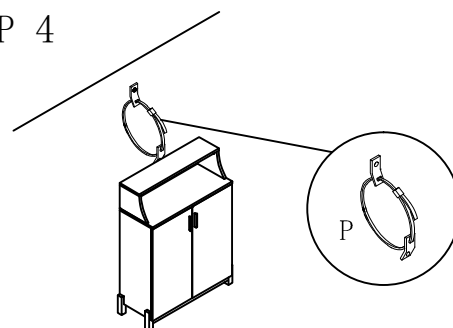
1. Use a light hammer to tap anchor into hole.
2. Anchor should fit snugly. If hole is too small, drill again to increase hole size. Do not force anchor into wall.

STEP 3



1. Insert drywall screw into metal bracket and into drywall anchor.
2. Insert flathead screw into second metal bracket and into back of item, along top edge.

STEP 4



1. Insert strap thru bracket attached to wall, then thru bracket on item, and into head of strap.
 2. pull lightly til strap stops.
- Assembly is complete.