

ASSEMBLY INSTRUCTIONS

MODEL : FBSPIR-186A

REVISION : B








ASSEMBLY TIPS :

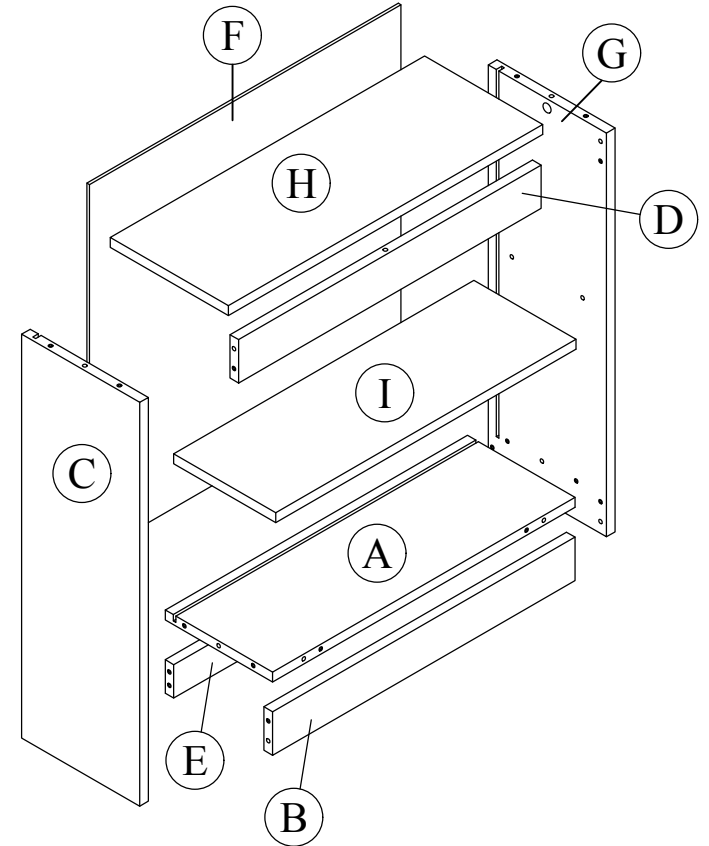
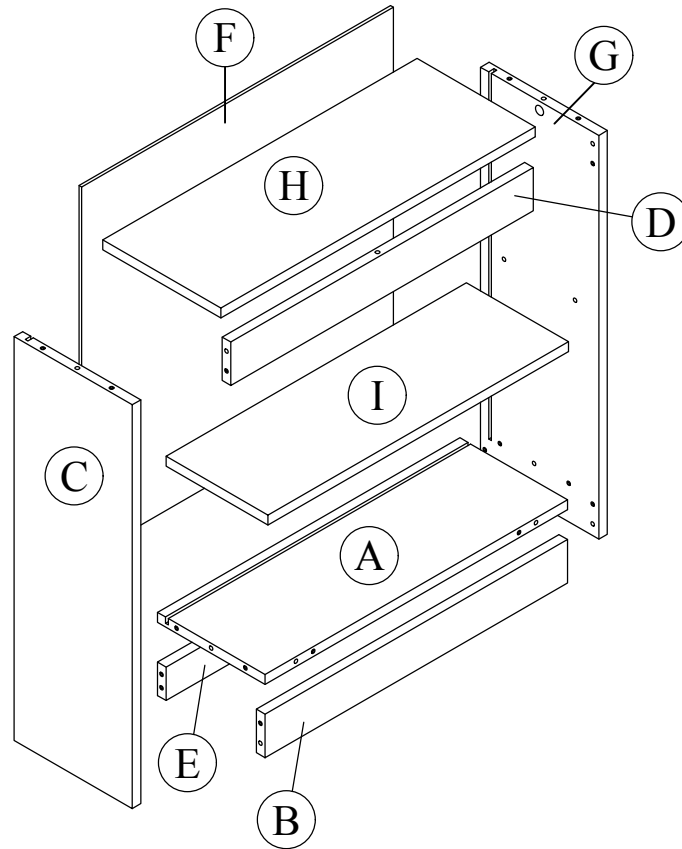
1. Remove hardware from box and sort by size.
2. Please check to see that all hardware and parts are present prior to start of assembly.
3. Please follow attached instructions in the same sequence as numbered to assure fast and easy assembly.

Component List (FOR 2 UNITS)

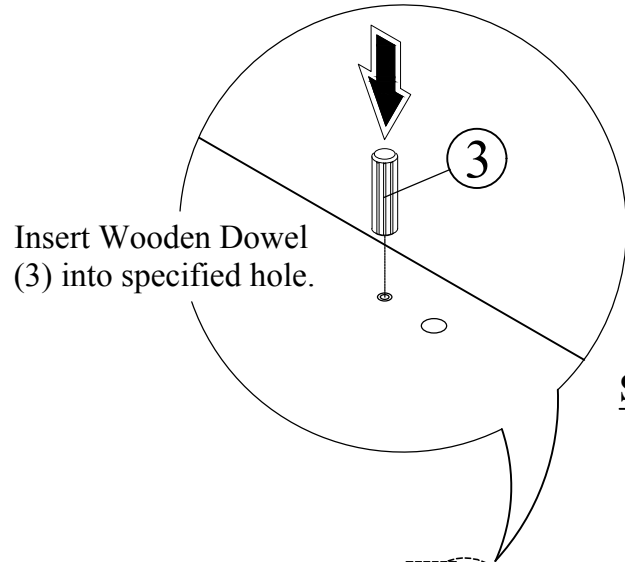
No	Descriptions	Qty
A	Bottom Panel	2
B	Bottom Rail (Front)	2
C	Side Panel (Left)	2
D	Top Rail	2
E	Bottom Rail (Back)	2
F	Back Panel	2
G	Side Panel (Right)	2
H	Top Panel	2
I	Adj. Shelf Panel	2

Hardware List (FOR 2 UNITS)

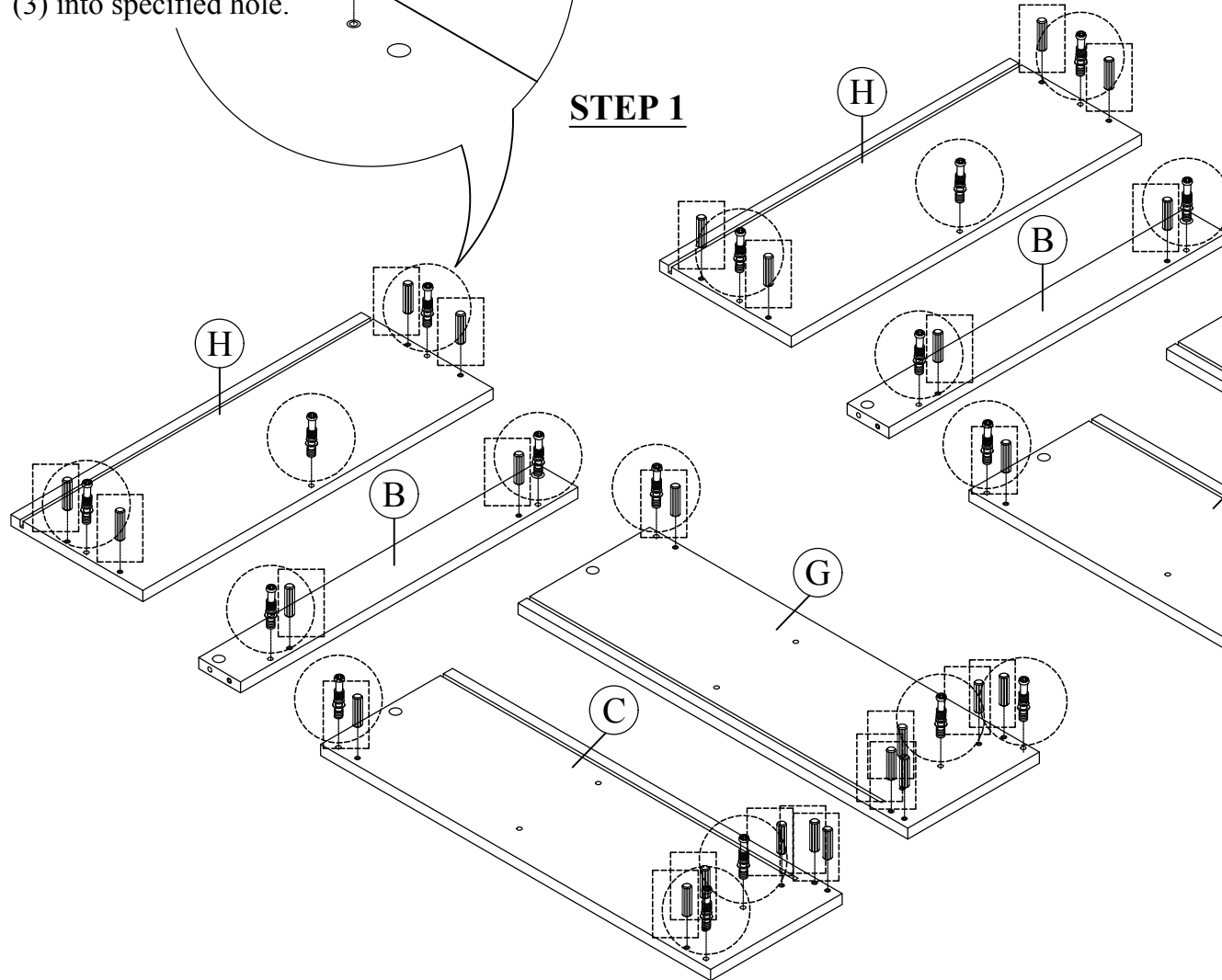
No	Descriptions	Qty
1	Camlock 	22
2	Camlock Screw 	22
3	Wooden Dowel 6mm x 30mm 	36
4	Shelf Bracket 	8
5	I Bracket 	4
6	PHCB Screw M4 x 16mm 	16
7	L Key M4 x 65mm 	1



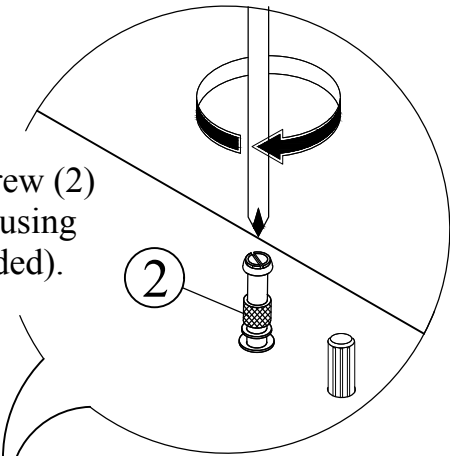
ASSEMBLY INSTRUCTIONS



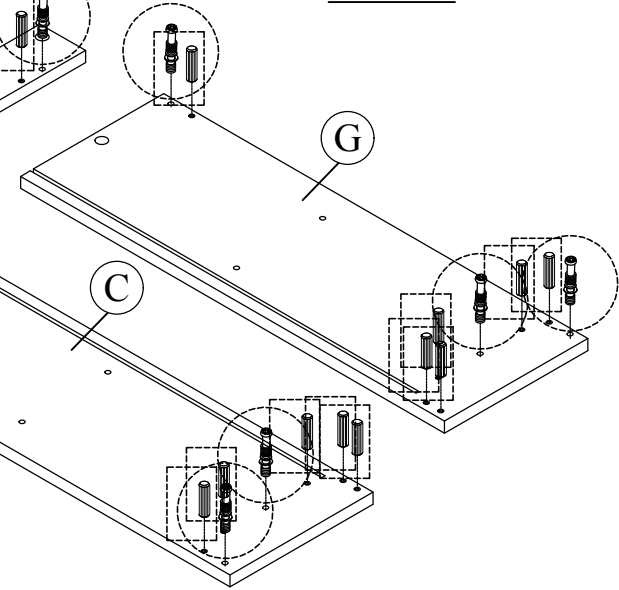
STEP 1



Screw the Camlock Screw (2) into specified holes by using Screwdriver (not provided).

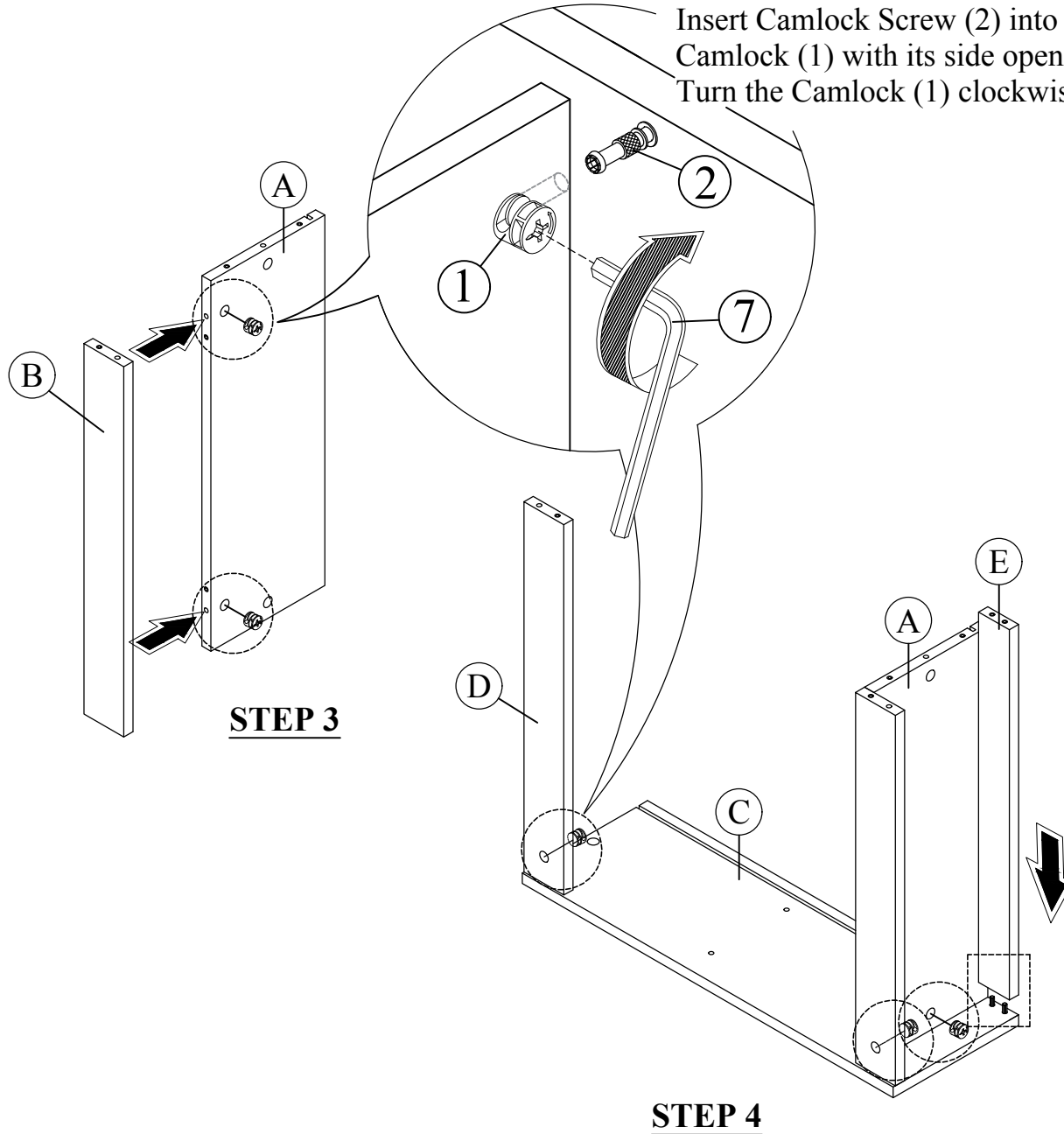


STEP 2

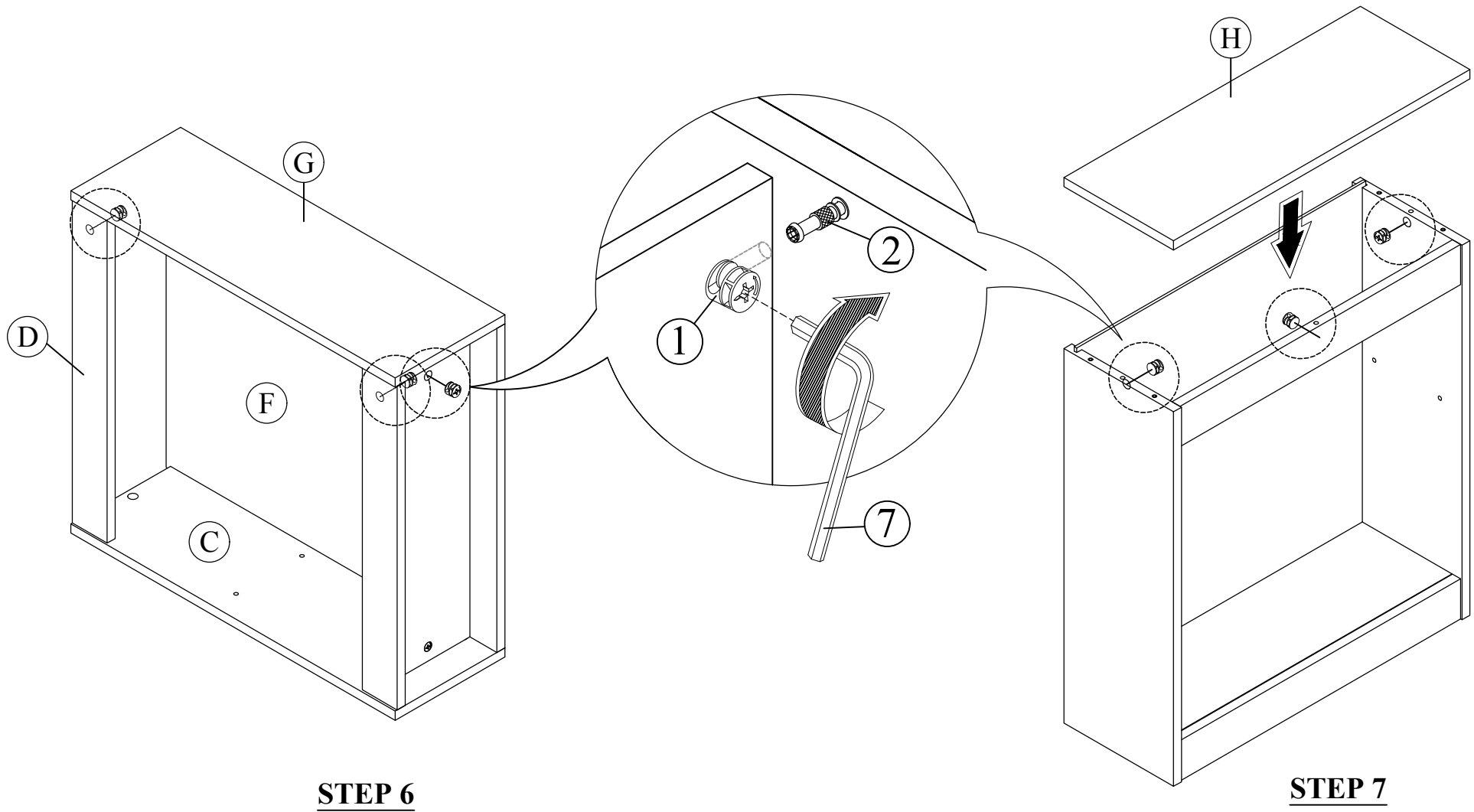


ASSEMBLY INSTRUCTIONS

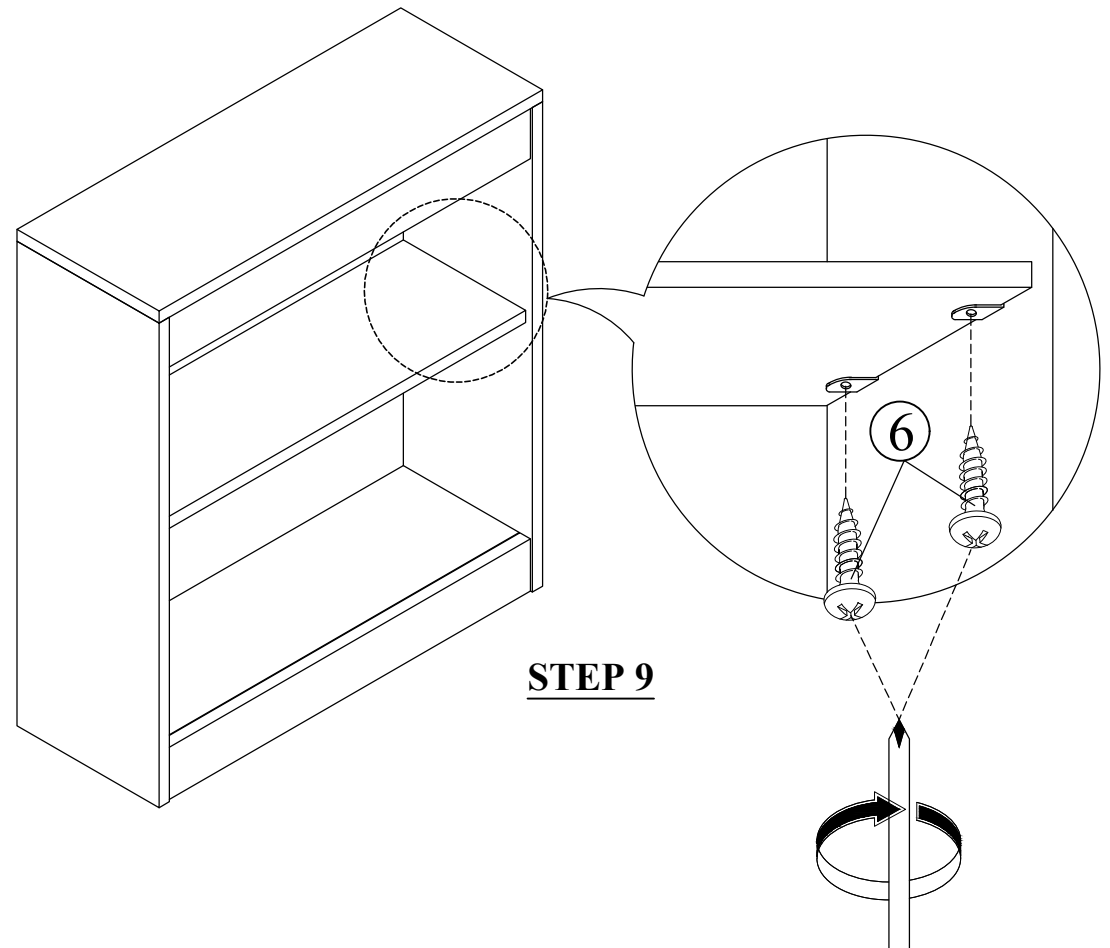
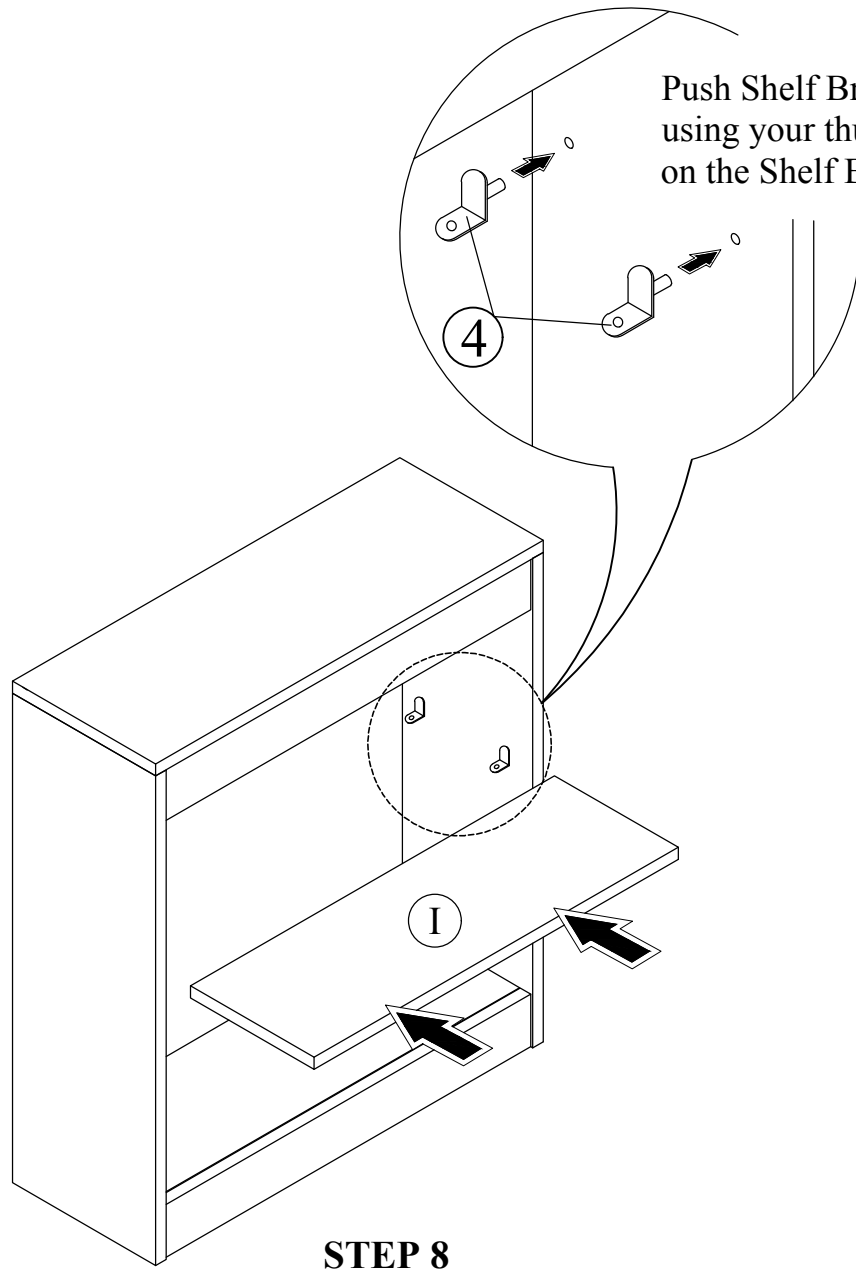
Insert Camlock Screw (2) into the bolt hole of joint panel. Align Camlock (1) with its side opening pointing to Camlock Screw (2). Turn the Camlock (1) clockwise until it will not turn any more.



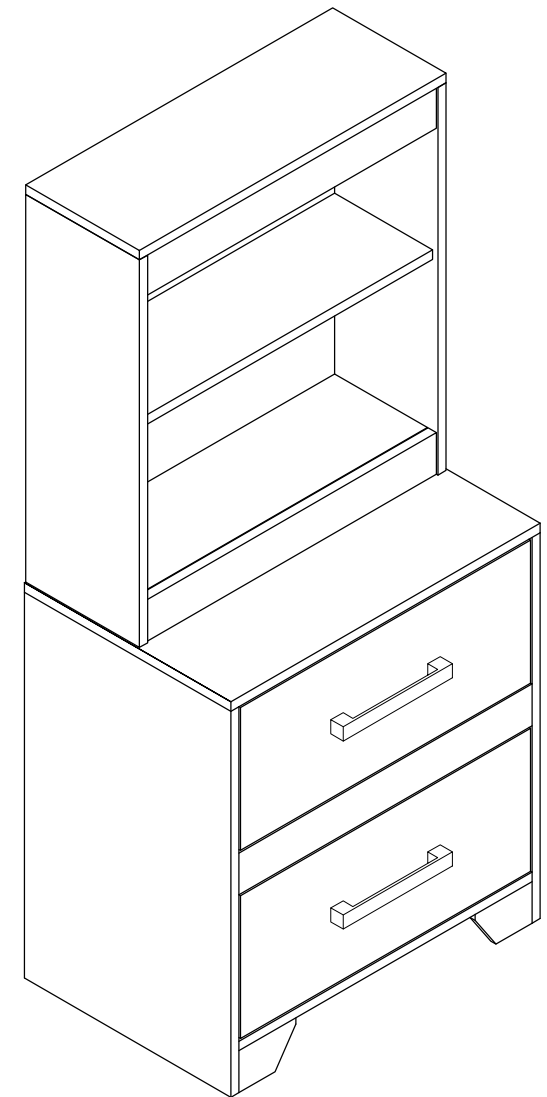
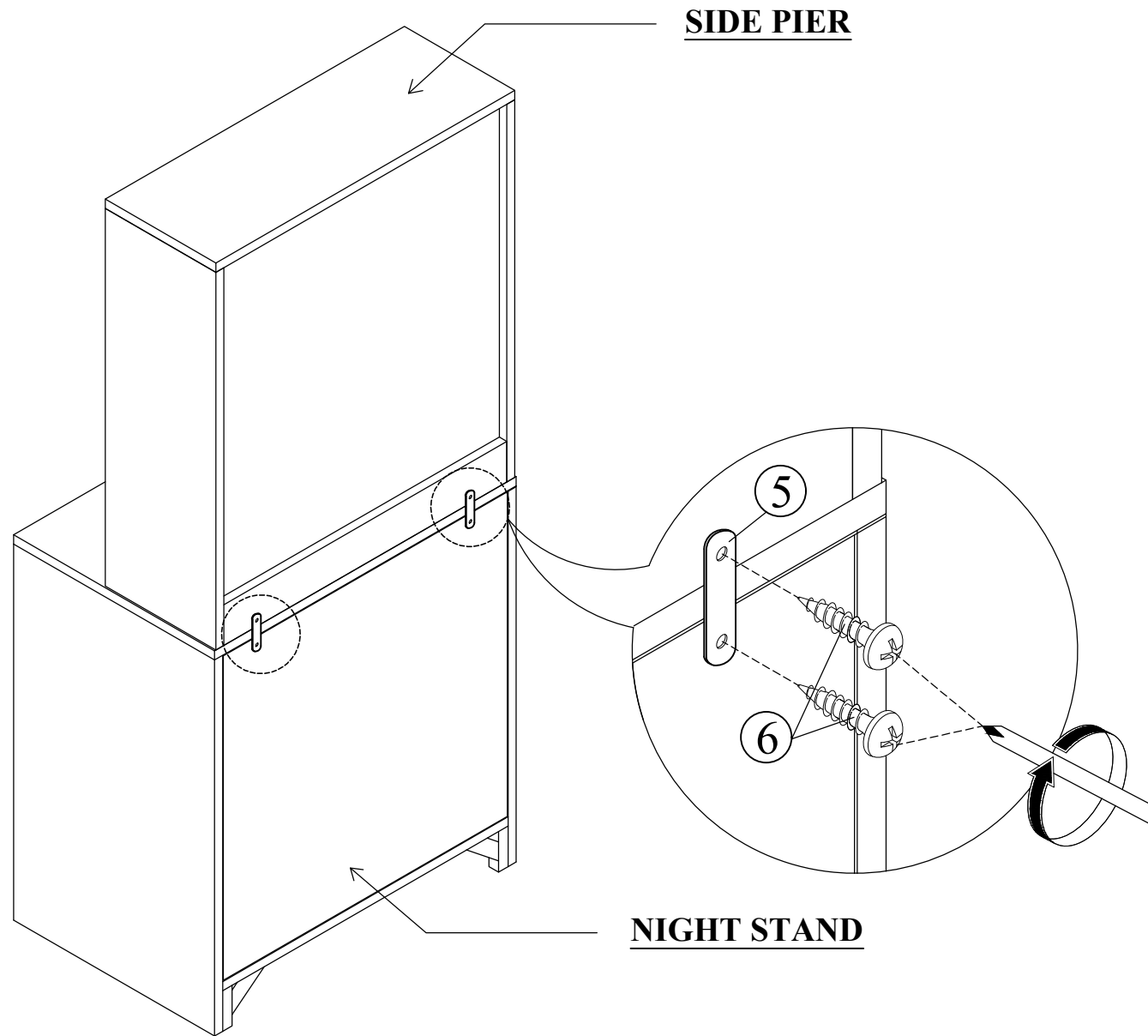
ASSEMBLY INSTRUCTIONS



ASSEMBLY INSTRUCTIONS


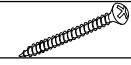




ASSEMBLY INSTRUCTIONS



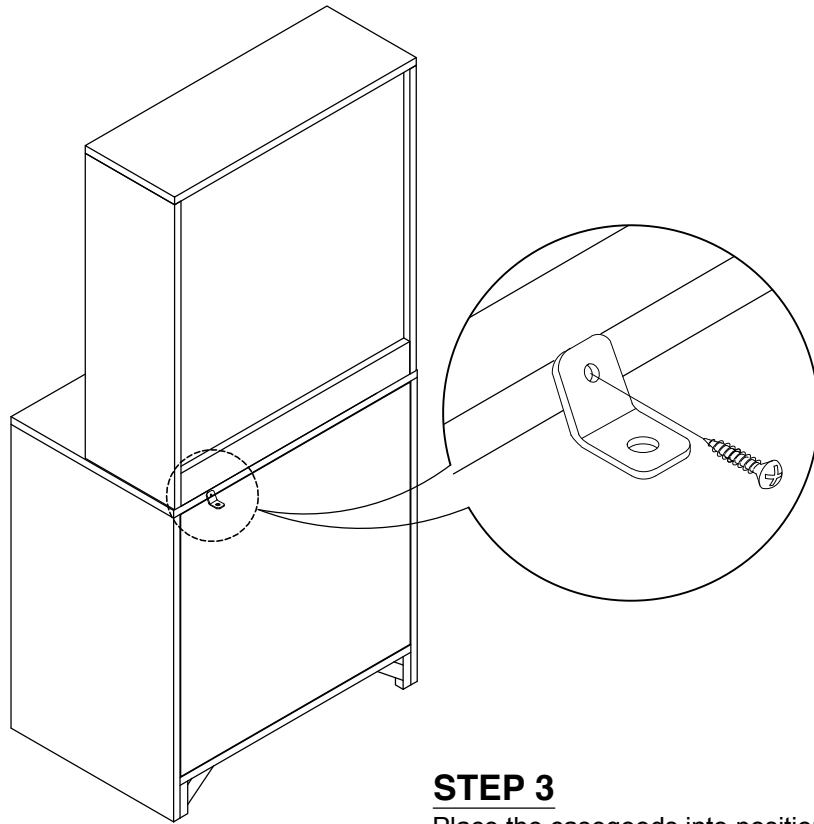
ASSEMBLY INSTRUCTIONS

ANTI-TIPPING KIT

No	Descriptions	Qty
1	Short screw 	1
2	Long screw 	1
3	Cable tie 	1
4	L Bracket 	2

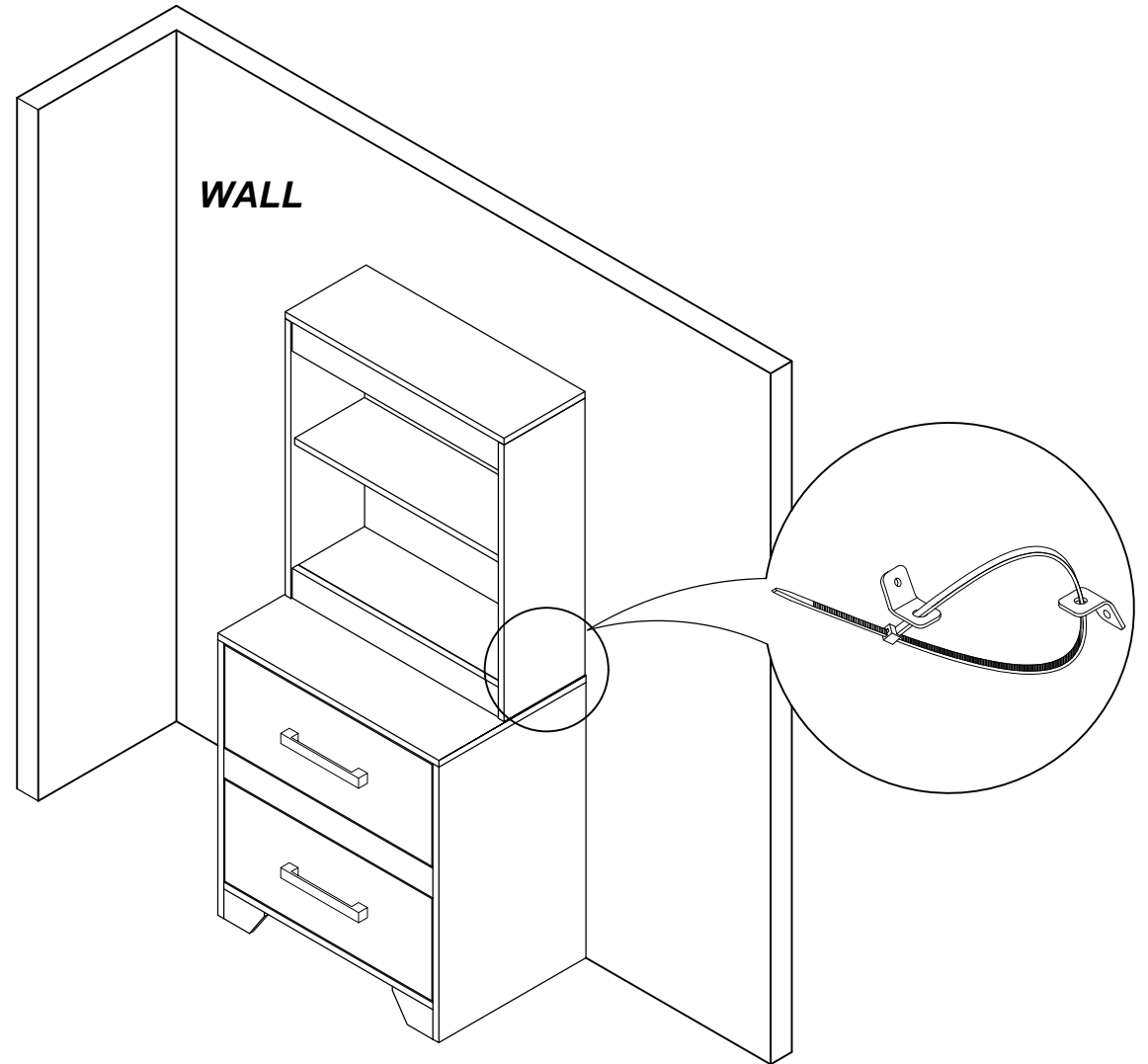
STEP 1

Attach a bracket securely to the back bottom rail of the Side Pier using short screw provided, through the smaller hole.



STEP 2

Locate the other bracket on the wall over a wall stud and two inches below the mounting bracket secured to the back of casegoods. Attached to the wall stud using the long screw provided, through the smaller hole.



STEP 3

Place the casegoods into position so both mounting brackets are vertically in line. Lace the end of the restraint strap through the larger hole in each mounting bracket. Bring both ends together and slide the flat end through the locking end and draw it through until all slack is removed. Confirm that the strap is securely laced and locked.