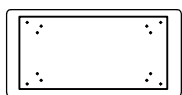
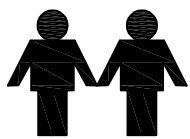


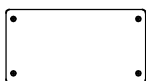
JC22003-FMC

ASSEMBLY

INSTRUCTION



A ×1pc



B ×1pc



C ×4pcs



D ×12pcs
M8*16mm



E ×4pcs
M8*35mm

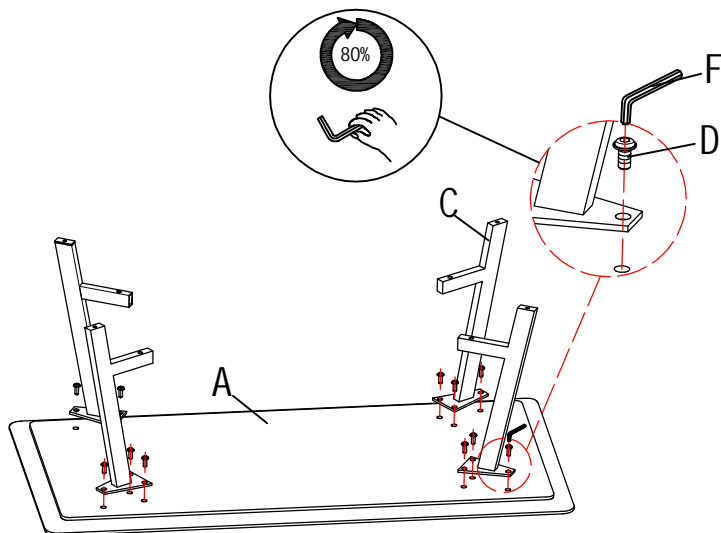


F ×1pc
6#

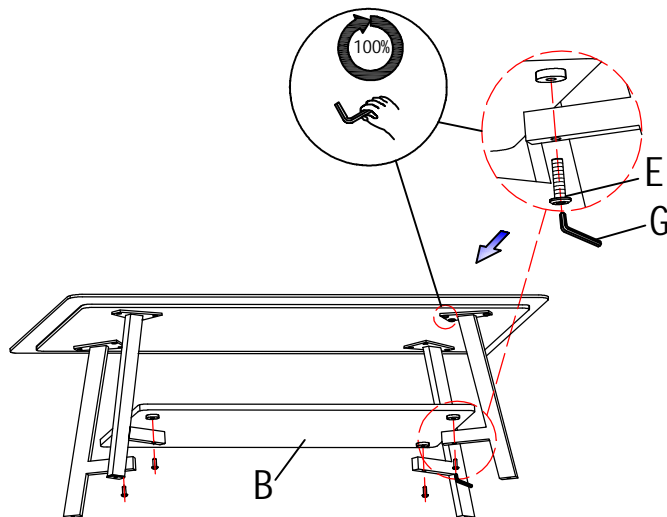


G ×1pc
5#

STEP:1



STEP:2



STEP:3

