

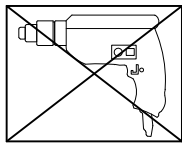
# Capri DT1100OAK/DT1100DO

## Assembly Instructions

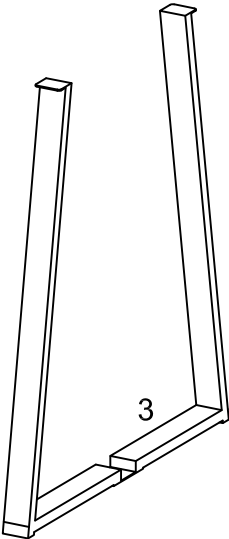
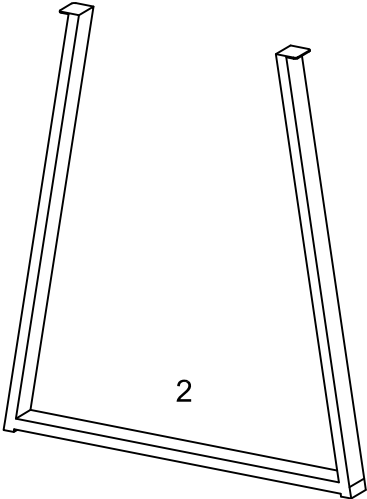
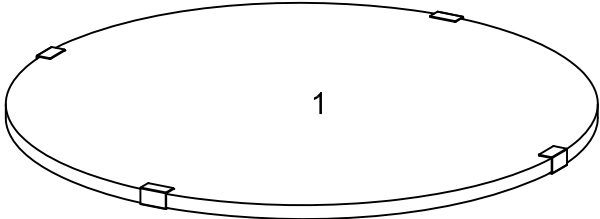


# General Assembly Guidelines

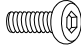

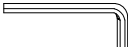
- I. Ensure that all parts and hardware are available before beginning assembly.
- II. Follow each step carefully to ensure the proper assembly of this product.
- III. Two people are recommended for ease in the assembly of this product.
- IV. The main type of hardware used to assemble this product is: bolts.
- V. Power tools should not be used to assemble this product .

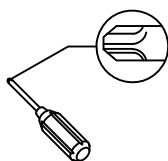


# Parts List



# Hardware List

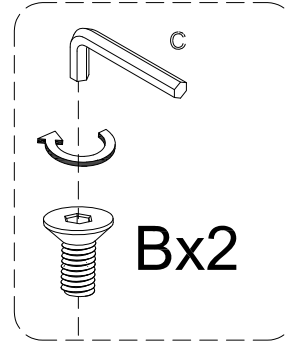
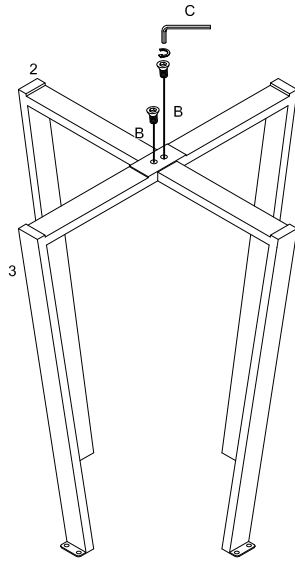
A		Ø6x15mm	Bolt	8 pcs
B		Ø6x10mm	Bolt	2 pcs
C		M4	Hex key	1 pc



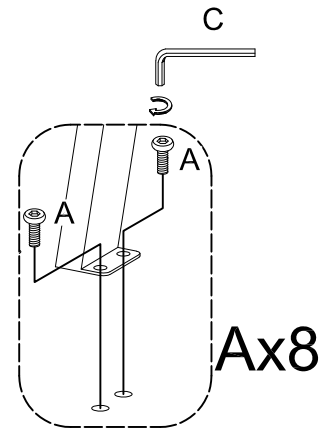
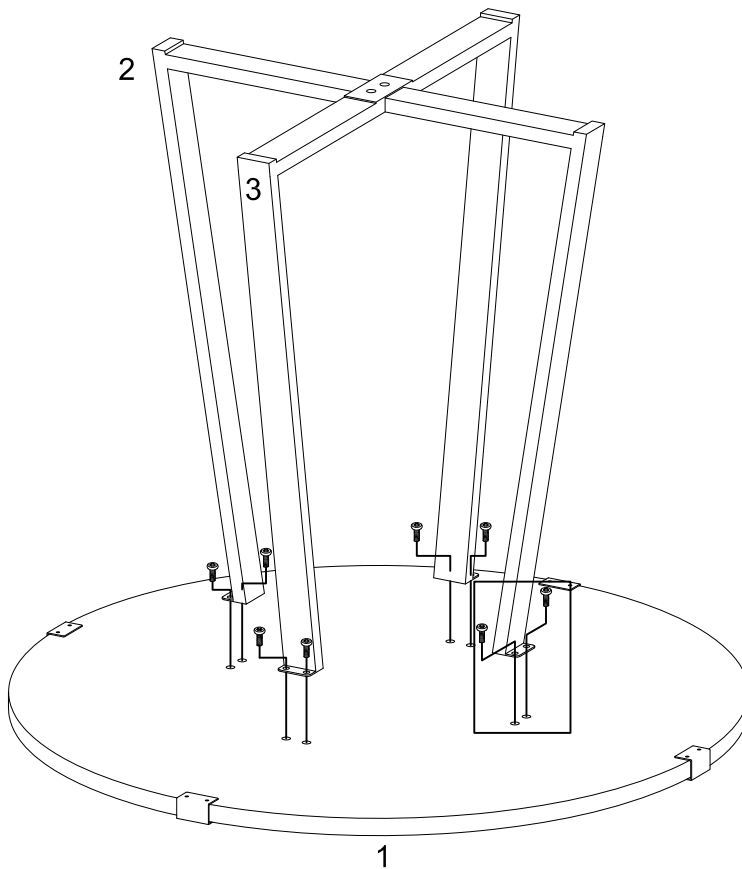
**Philips head screwdriver required for assembly  
(not included)**

*The hardware quantities listed above are required for proper assembly.  
Some extra hardware may also have been included.*

# Step 1



**Attach part(3) to part (2) using bolt (B) with hex key(C)**



**Attach part(2,3) to part (1) using bolt (A) with hex key(C)**

# Step 3



**Final Assembly**