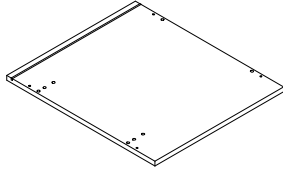
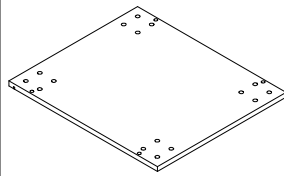


HARDWARE LIST



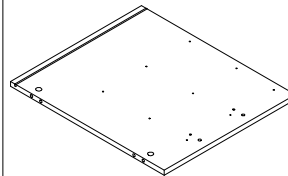
①

1PCS



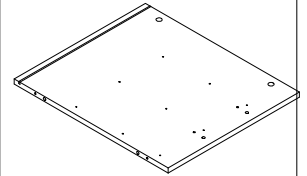
②

1PCS



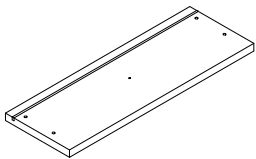
③

1PCS



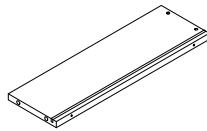
④

1PCS



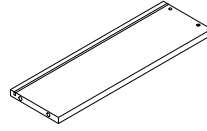
⑤

3PCS



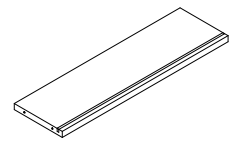
⑥

3PCS



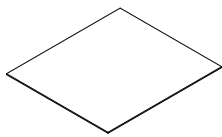
⑦

3PCS



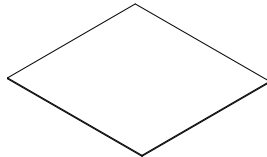
⑧

3PCS



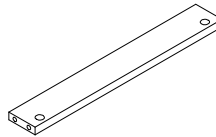
⑨

3PCS



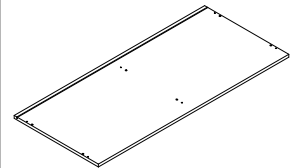
⑩

1PCS



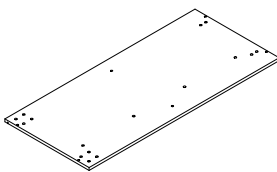
⑪

2PCS



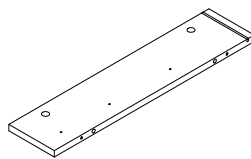
⑫

1PCS



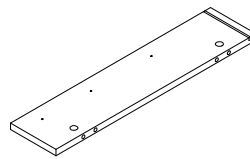
⑬

1PC



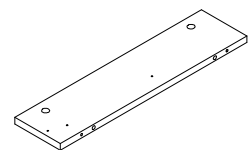
⑭

1PCS



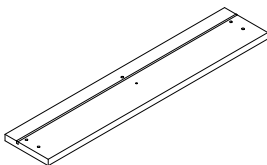
⑮

1PCS



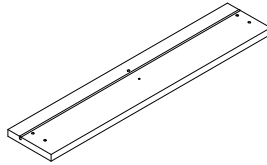
⑯

1PCS



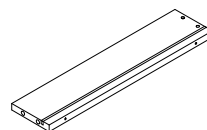
⑰

1PC



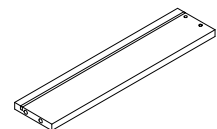
⑱

1PCS



⑲

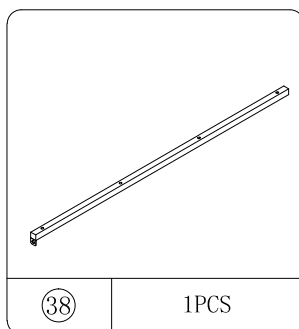
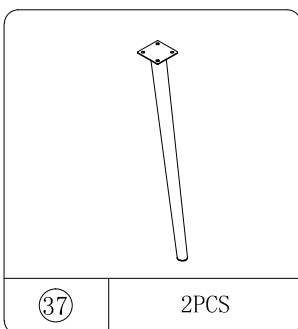
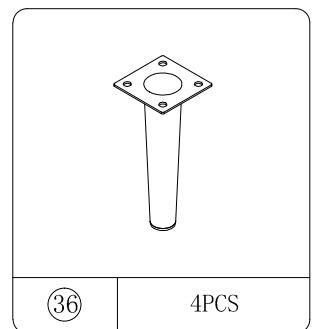
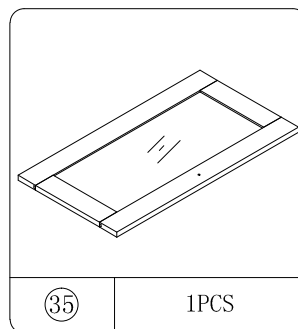
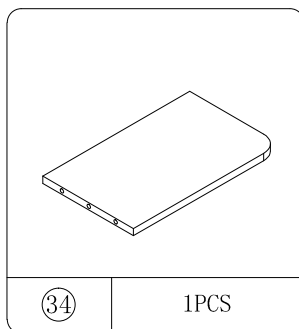
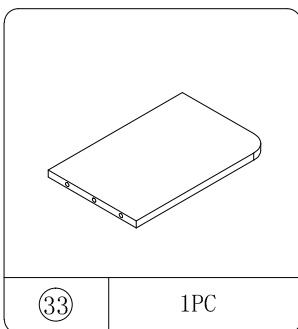
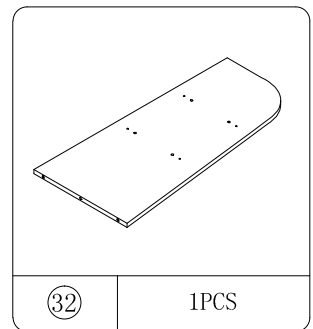
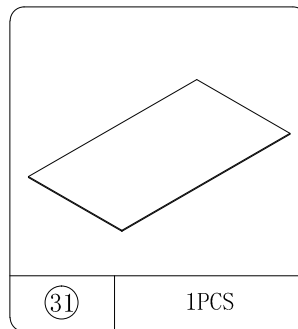
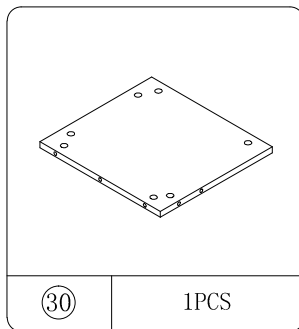
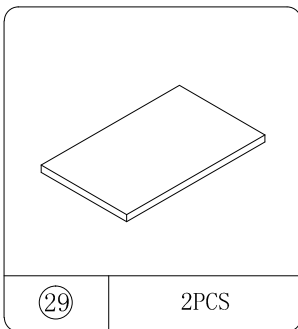
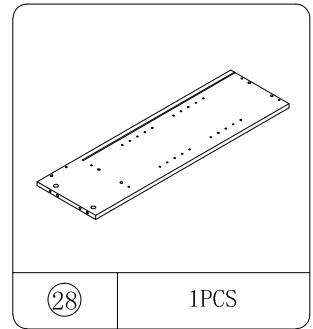
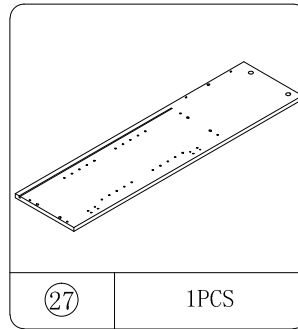
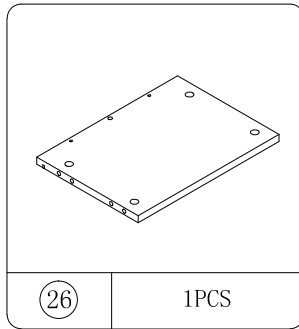
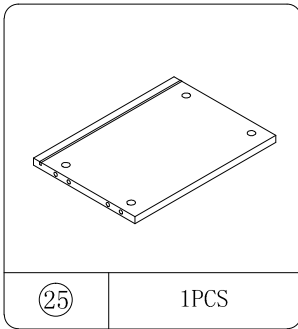
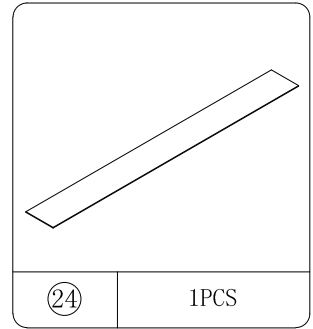
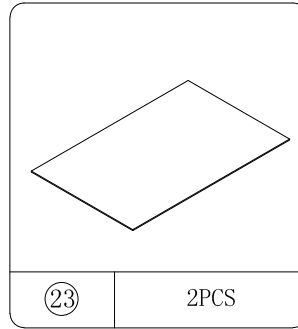
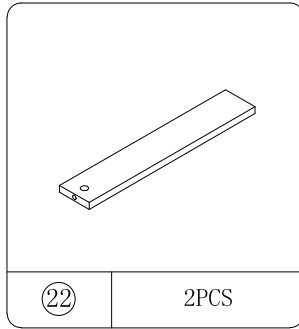
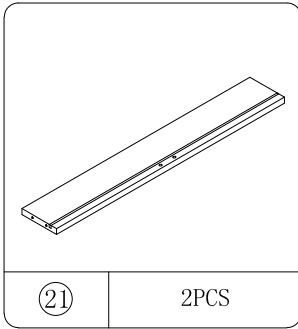
2PCS

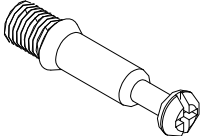

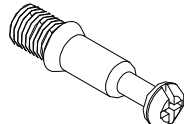

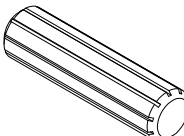
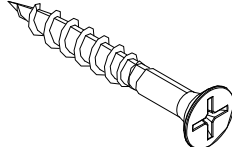
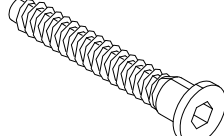
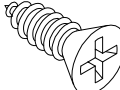
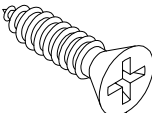
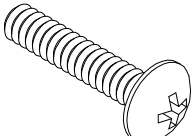
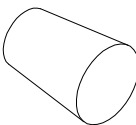
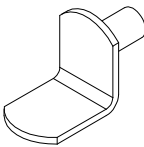
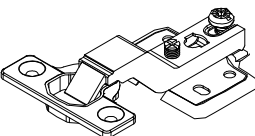
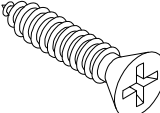
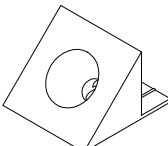
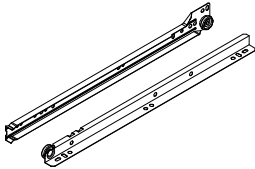
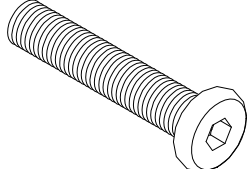
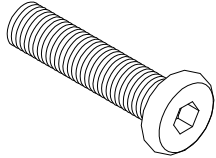
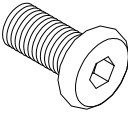



⑳

2PCS

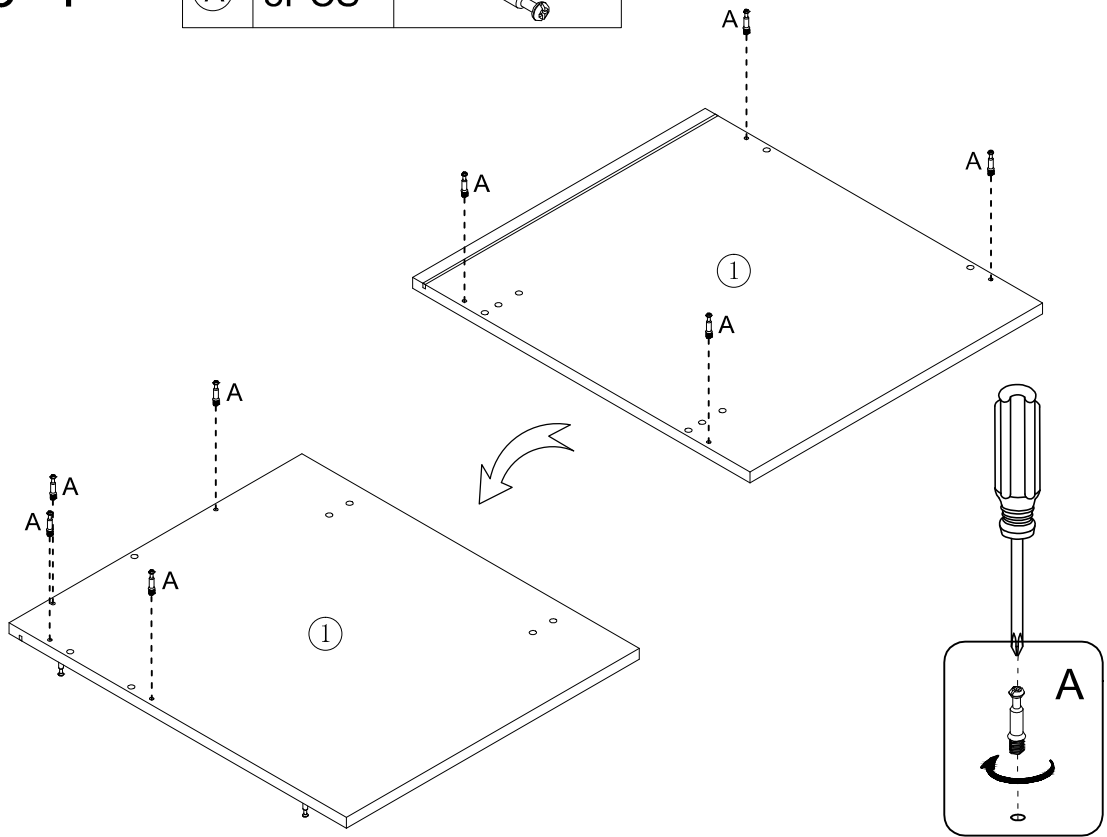
COMPONENTS ID Nr.






<p>A x 46</p>  <p>Ø6*35mm</p>	<p>B x 46</p>  <p>Ø15*12mm</p>	<p>C x 22</p>  <p>Ø6*28mm</p>	<p>D x22</p>  <p>Ø13*11mm</p>
<p>E x 49</p>  <p>Ø8*30mm</p>	<p>F x 24</p>  <p>Ø4*28mm</p>	<p>G x 10</p>  <p>Ø6*48mm</p>	<p>H x 50</p>  <p>Ø3.5*12mm</p>
<p>I x 12</p>  <p>Ø3.5*14mm</p>	<p>J x 6</p>  <p>m4*20mm</p>	<p>K x 6</p> 	<p>L x 8</p> 
<p>M x 2</p> 	<p>N x 18</p>  <p>Ø3*18mm</p>	<p>O x 18</p>  <p>15*15*10mm</p>	<p>P x 5</p>  <p>L=350mm</p>
<p>Q x 4</p>  <p>m6*30mm</p>	<p>R x 4</p>  <p>m6*25mm</p>	<p>S x 25</p>  <p>m6*12mm</p>	<p>T x 1</p>  <p>m4</p>

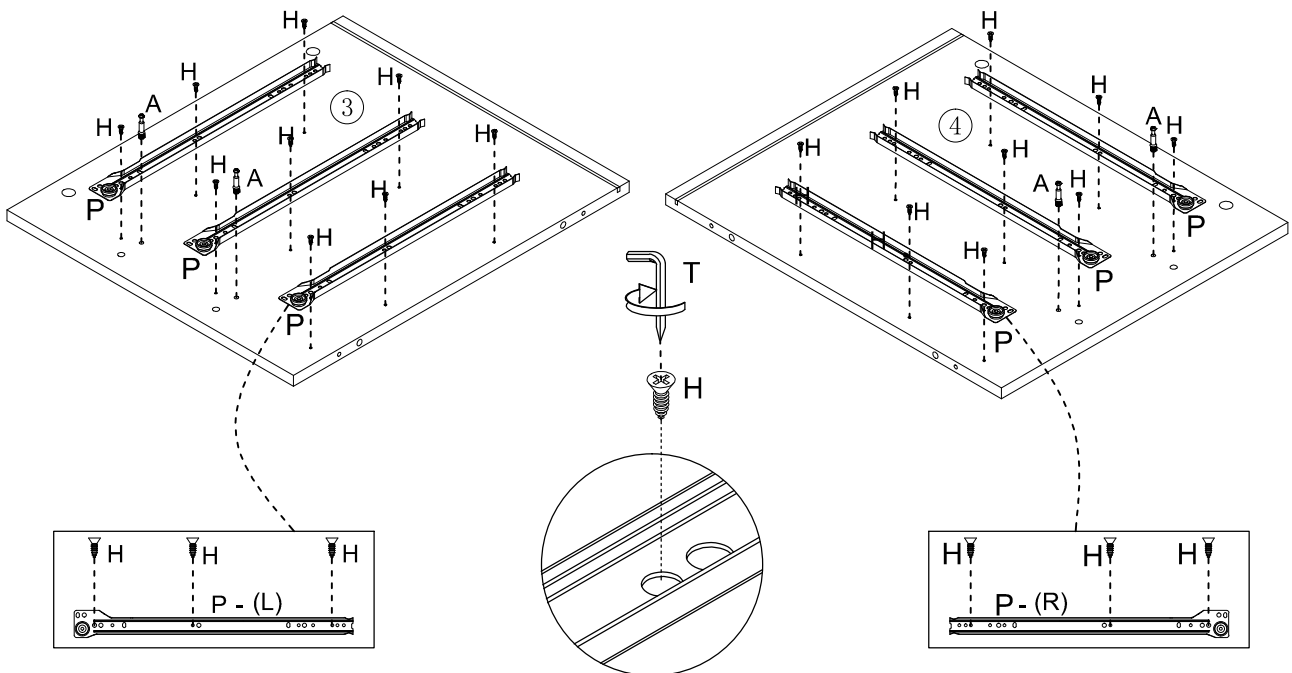
Step 1

(A) 8PCS	
----------	---




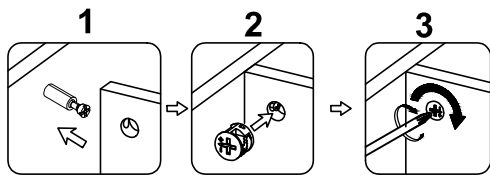
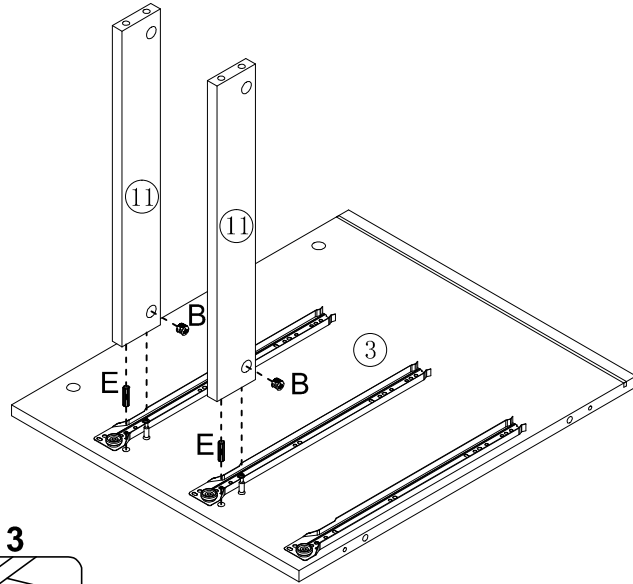
Step 2

(A) 4PCS		(H) 18PCS	
(P) 3PCS			



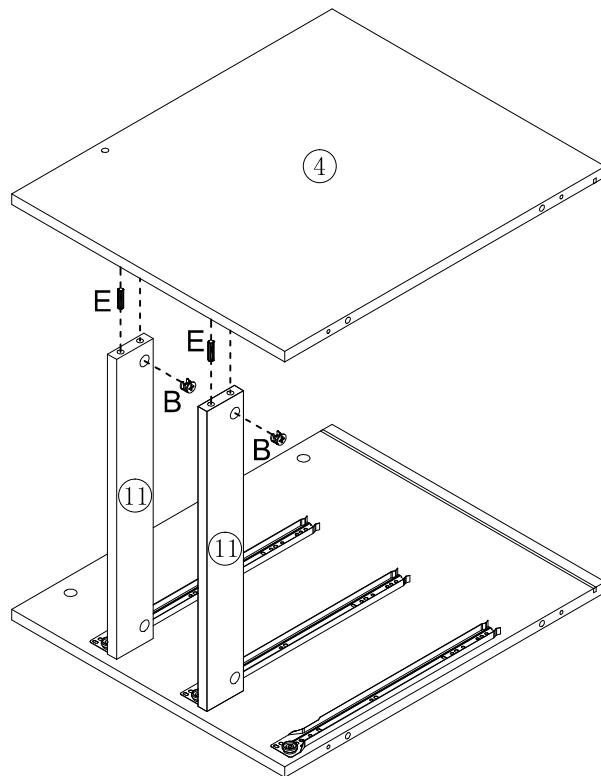
Step 3

(B) 2PCS		(E) 2PCS	
----------	---	----------	---



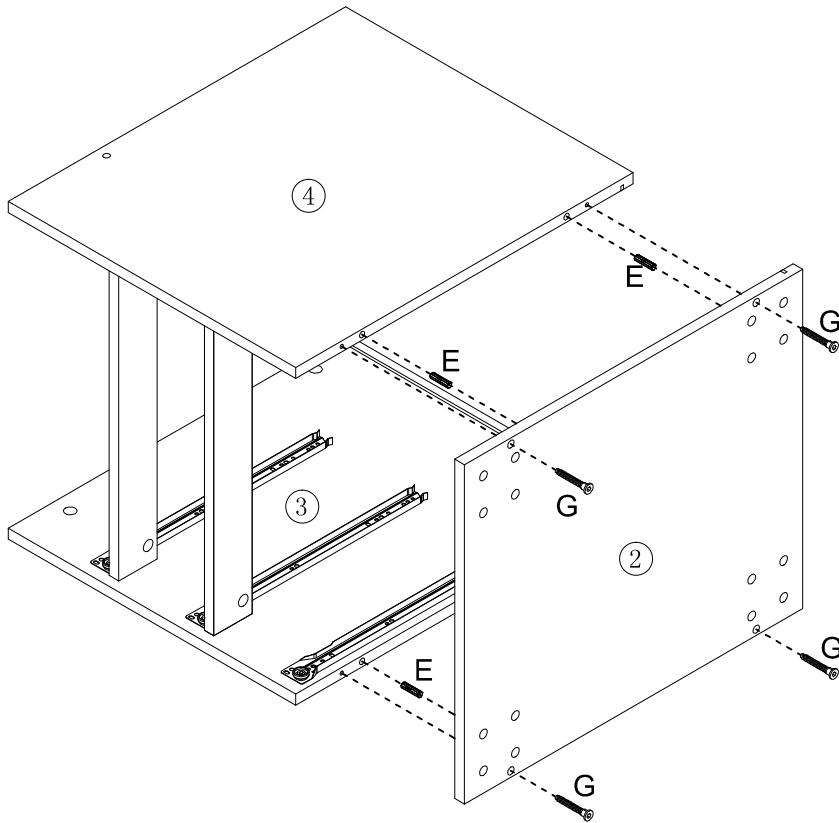
Step 4

(B) 2PCS		(E) 2PCS	
----------	---	----------	---

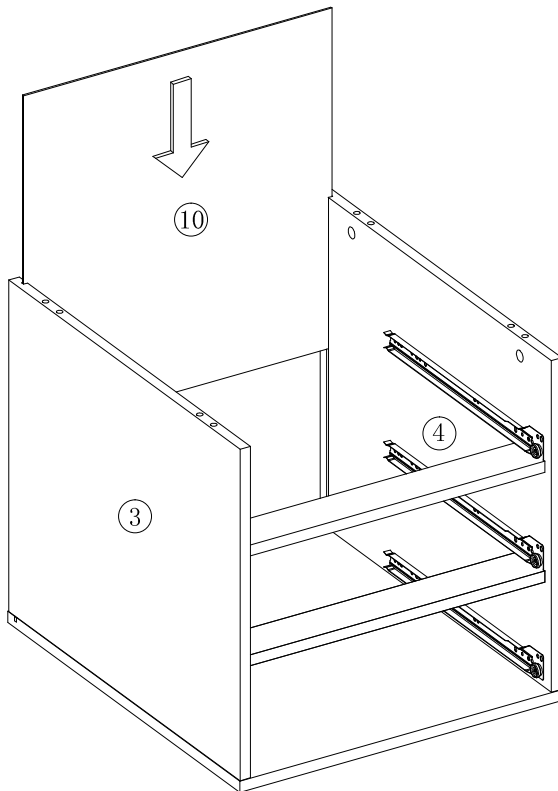


Step 5


(E) 4PCS		(G) 4PCS	
----------	---	----------	---

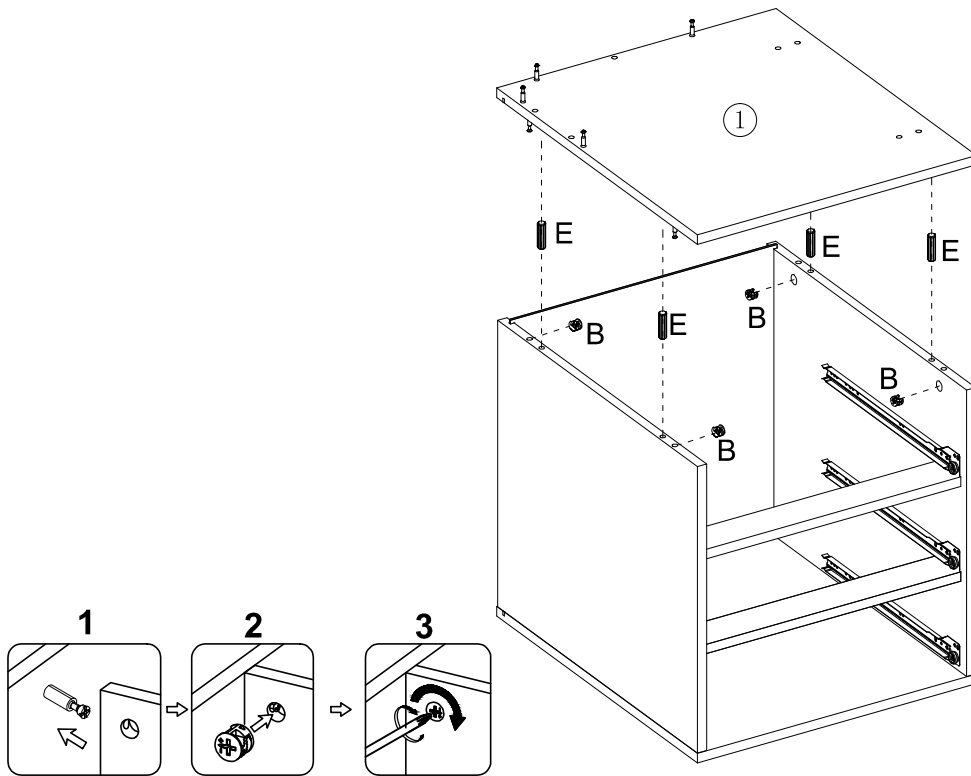


Step 6




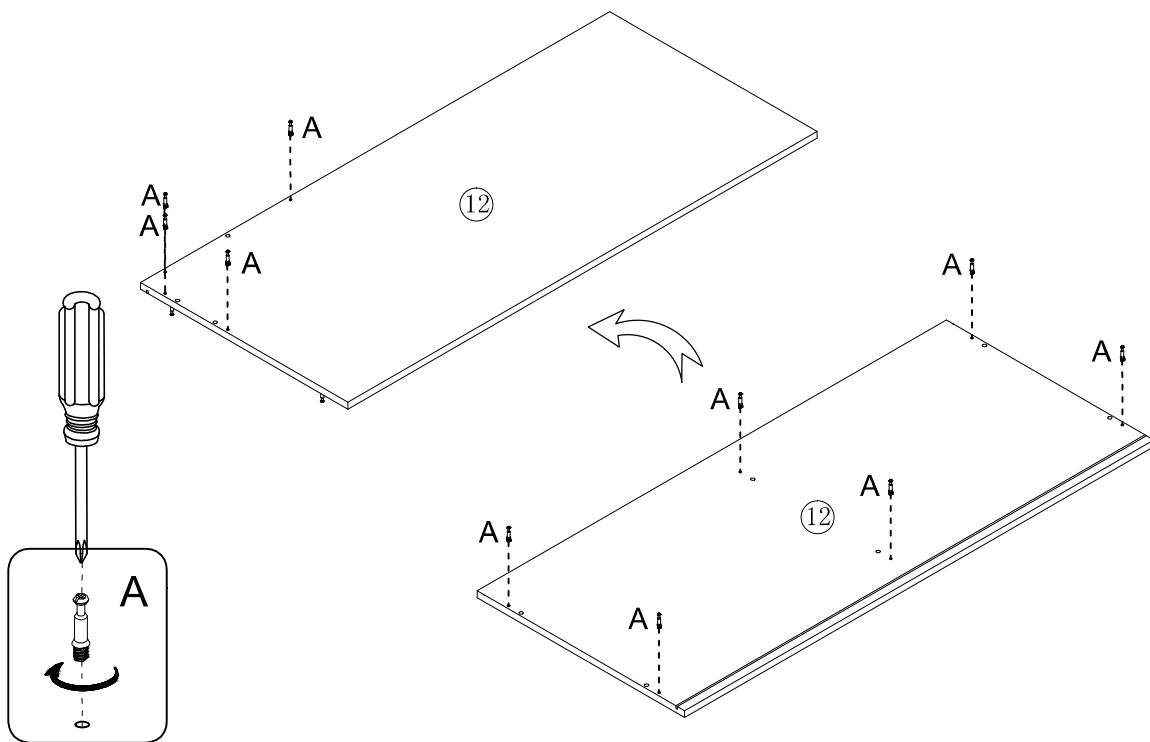
Step 7

(B) 4PCS		(E) 4PCS	
----------	---	----------	---

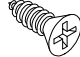



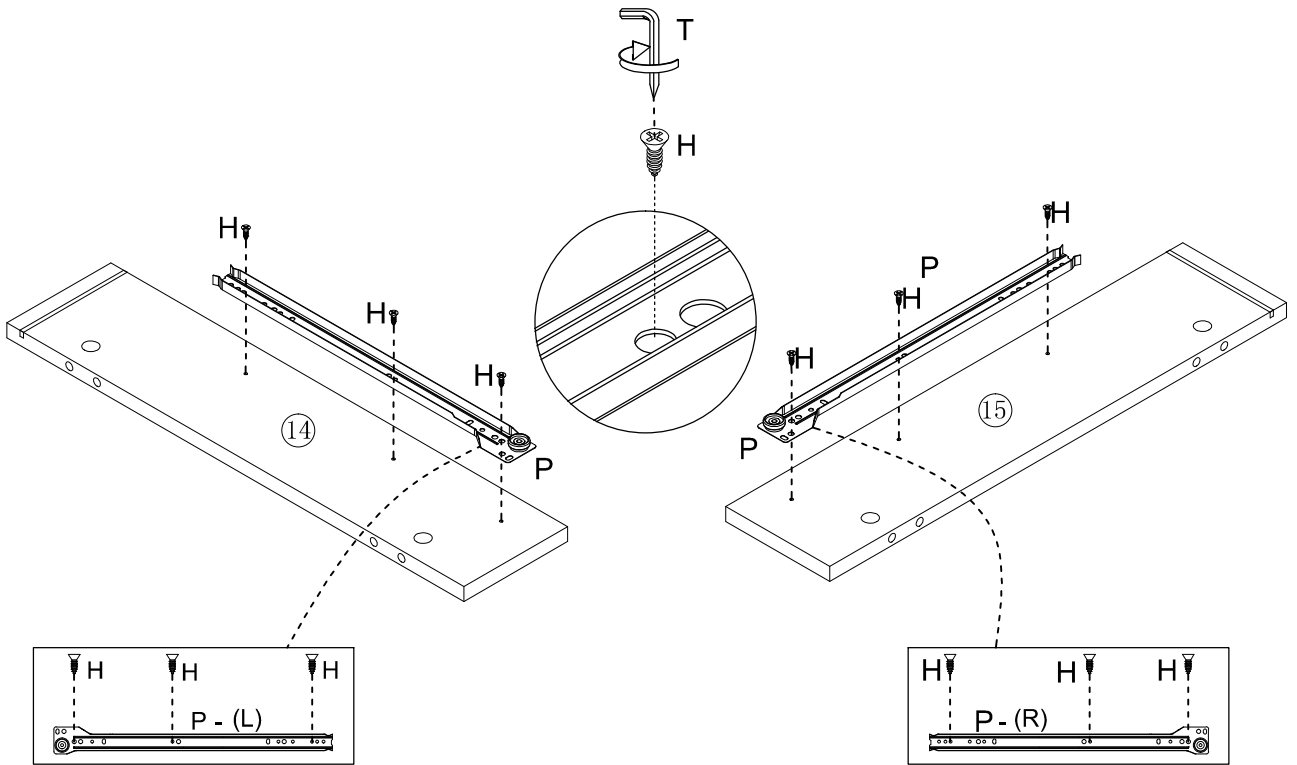
Step 8

(A) 10PCS	
-----------	---

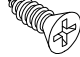



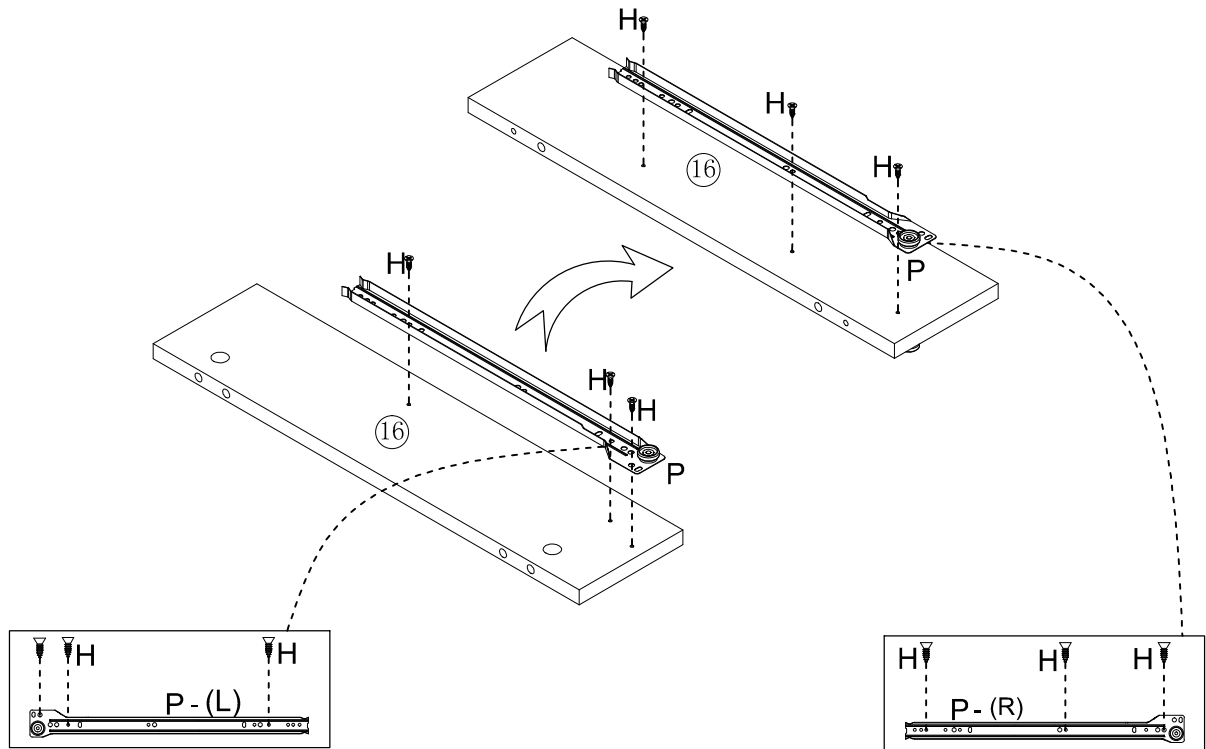
Step 9

(H) 6PCS		(P) 1PCS	
----------	---	----------	---



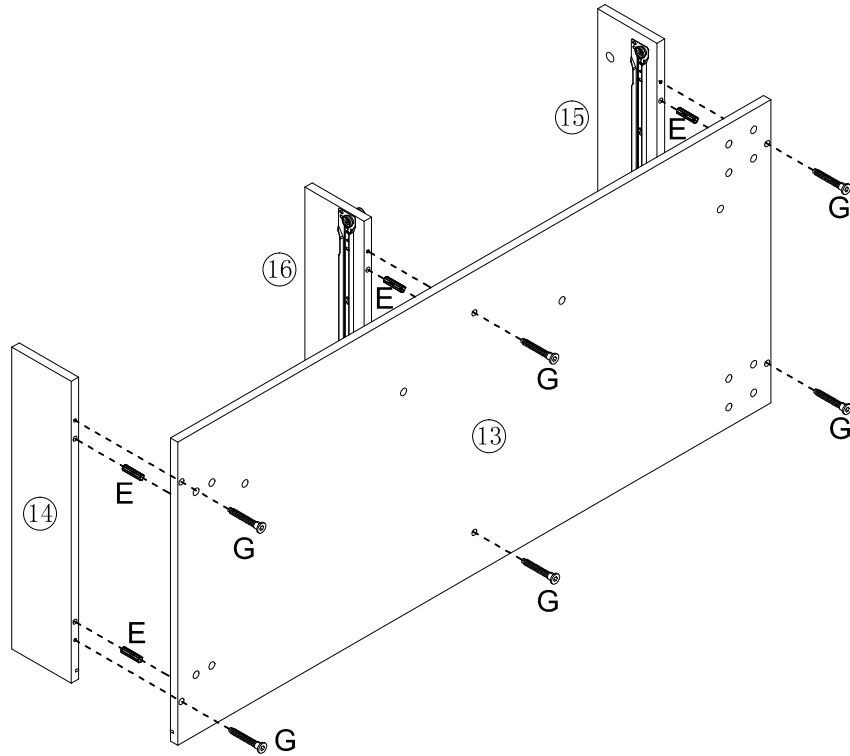
Step 10

(H) 6PCS		(P) 1PCS	
----------	---	----------	---

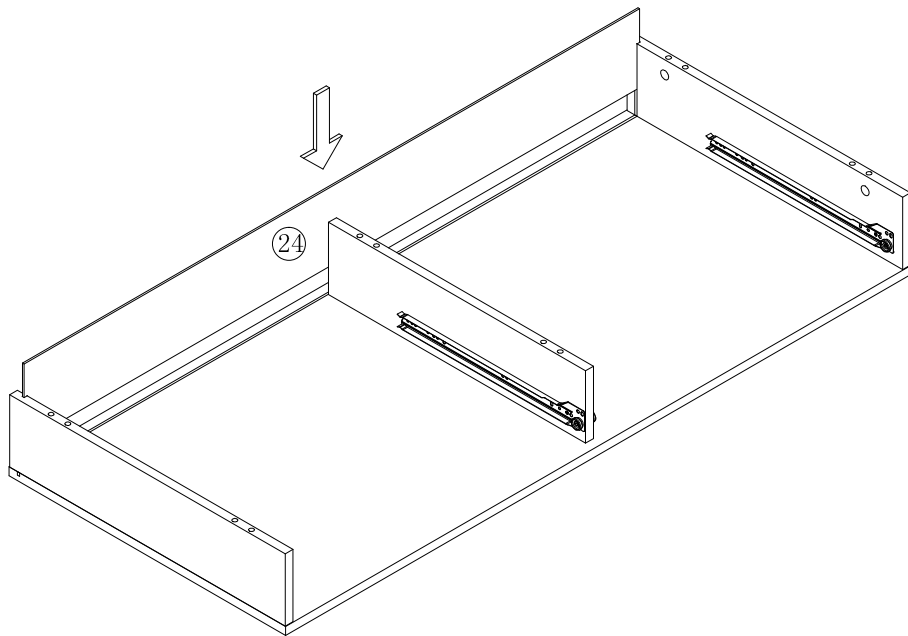


Step 11

(E) 6PCS		(G) 6PCS	
----------	---	----------	---

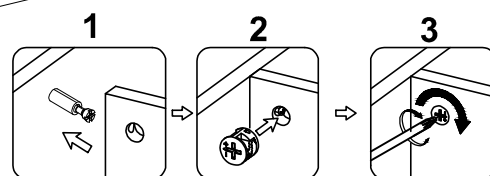
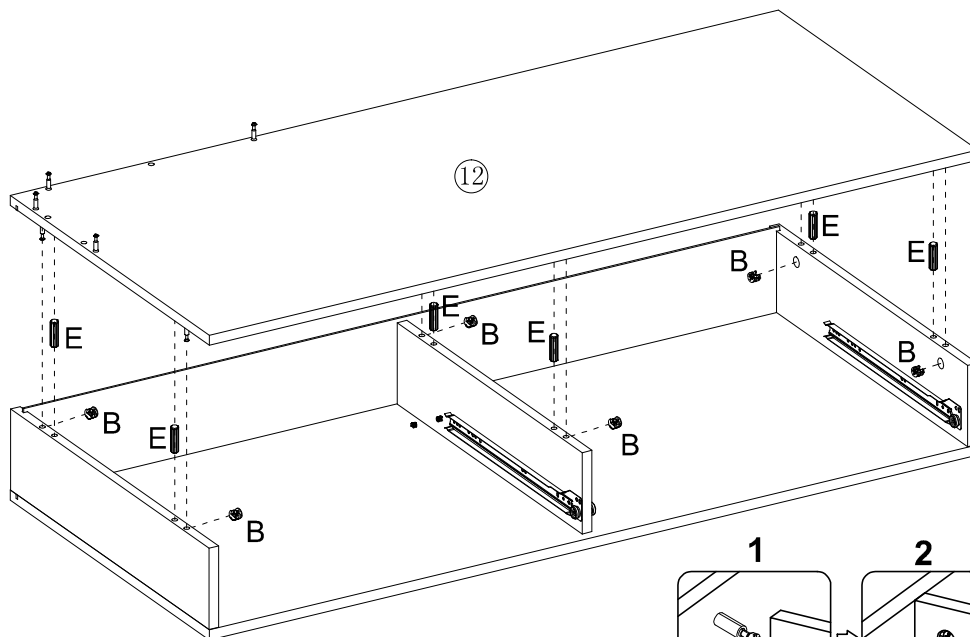


Step 12




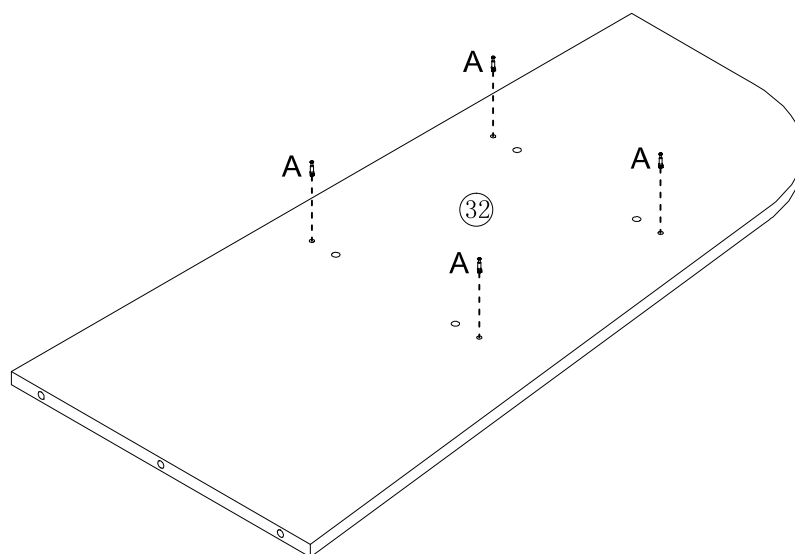
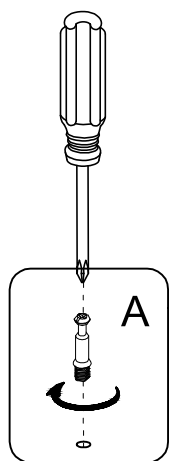
Step 13

- | | | | |
|----------|---|----------|---|
| (B) 6PCS |  | (E) 6PCS |  |
|----------|---|----------|---|



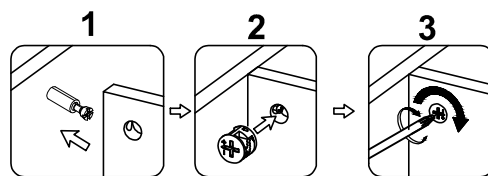
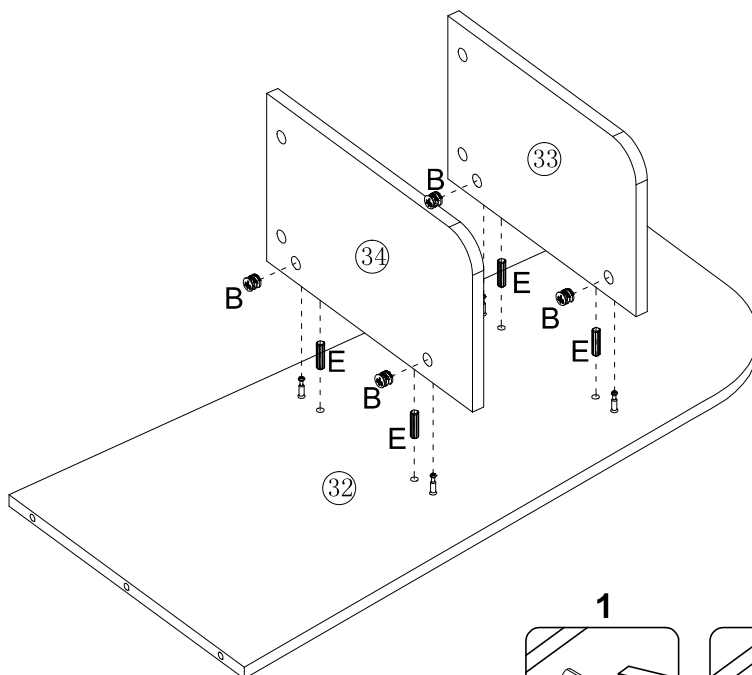
Step 14

- | | |
|----------|---|
| (A) 4PCS |  |
|----------|---|




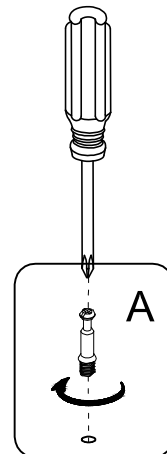
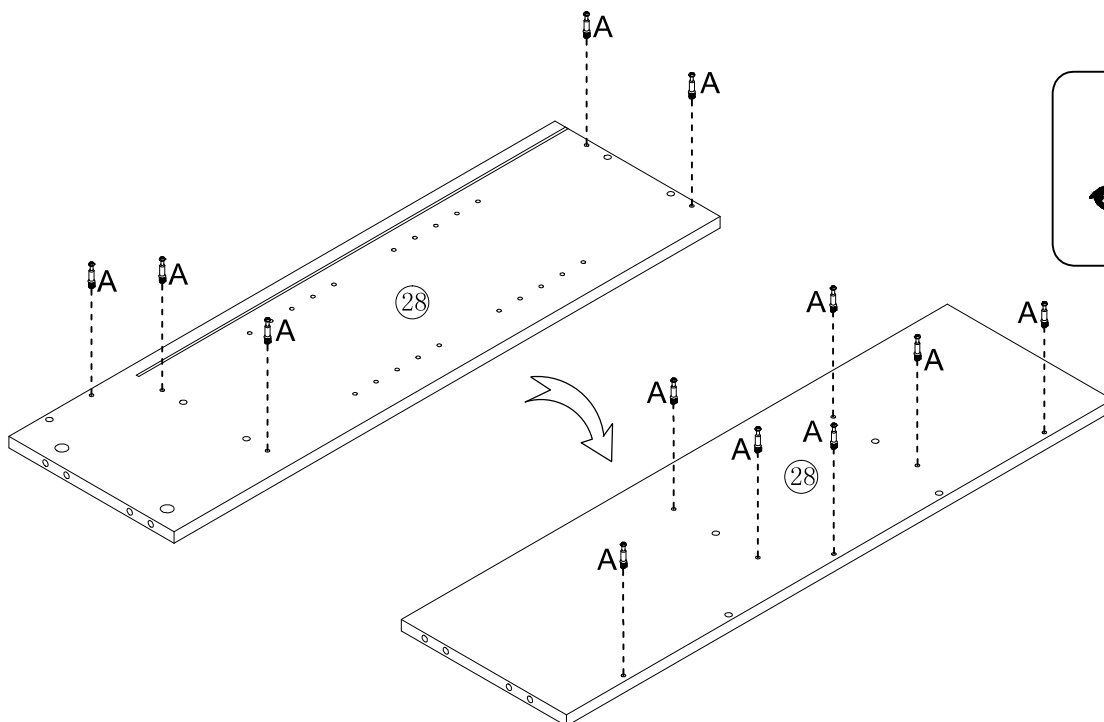
Step 15

(B) 4PCS		(E) 4PCS	
----------	---	----------	---



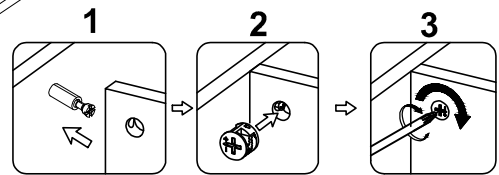
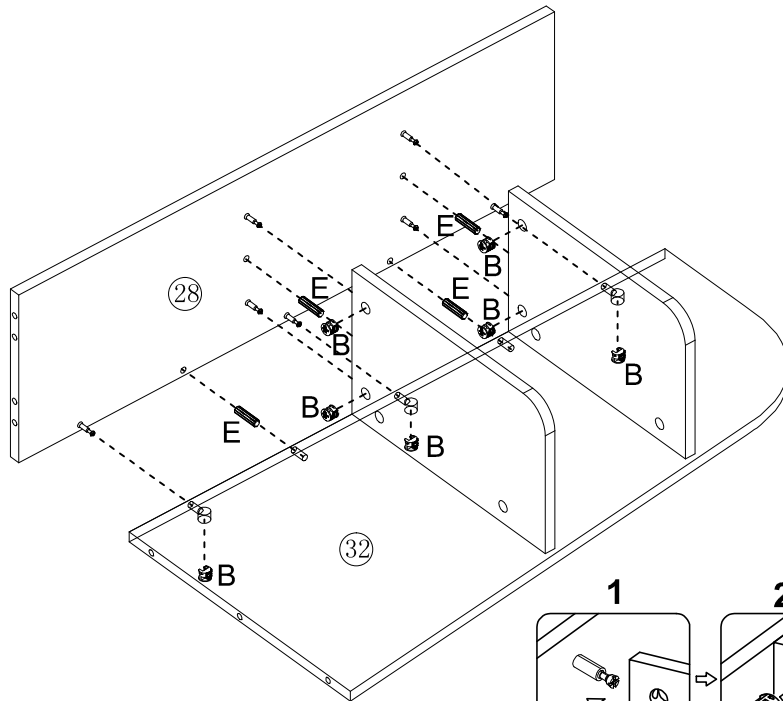
Step 16

(A) 12PCS	
-----------	---




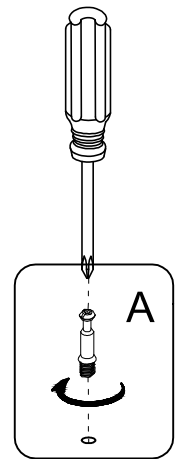
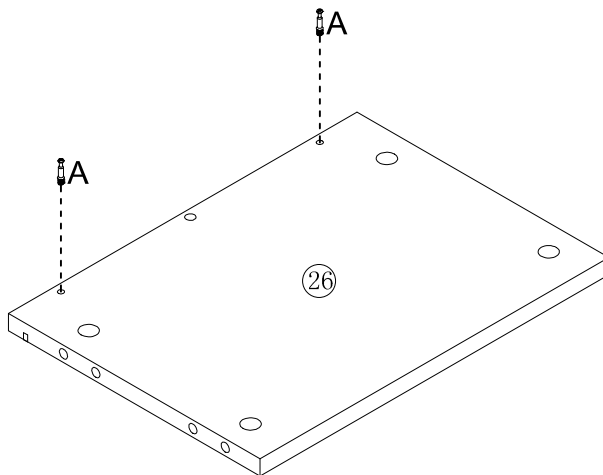
Step 17

(B) 7PCS		(E) 4PCS	
----------	---	----------	---



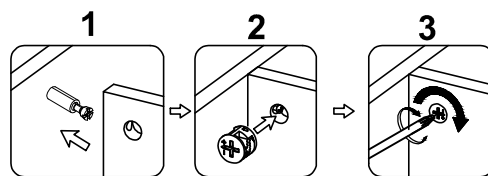
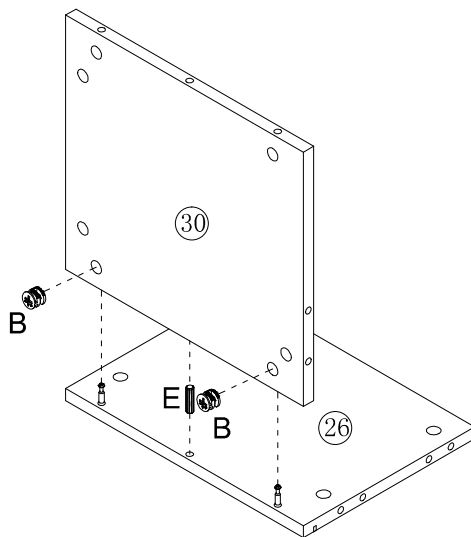
Step 18

(A) 2PCS	
----------	---



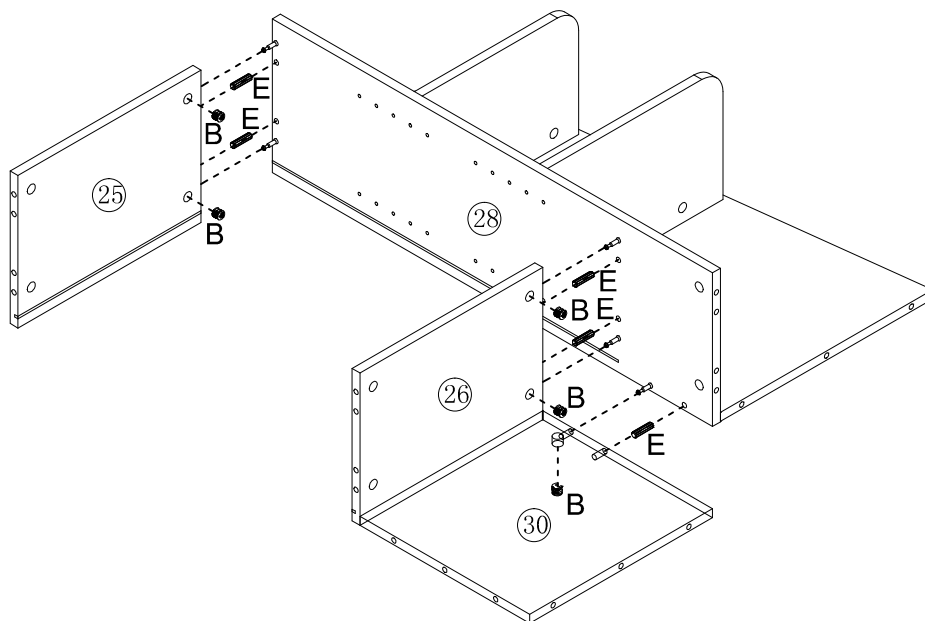
Step 19

(B) 2PCS		(E) 1PCS	
----------	---	----------	---

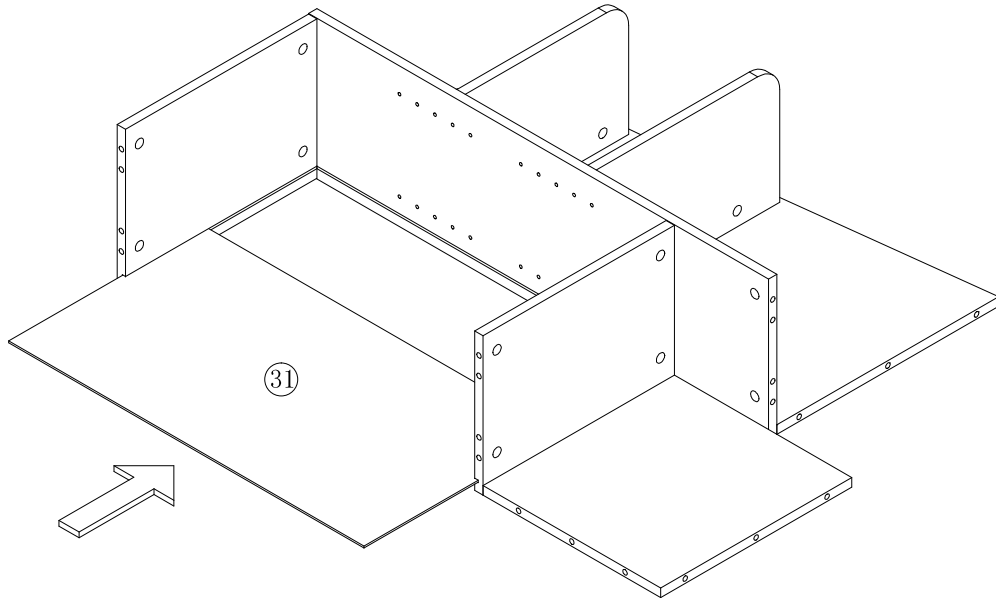


Step 20

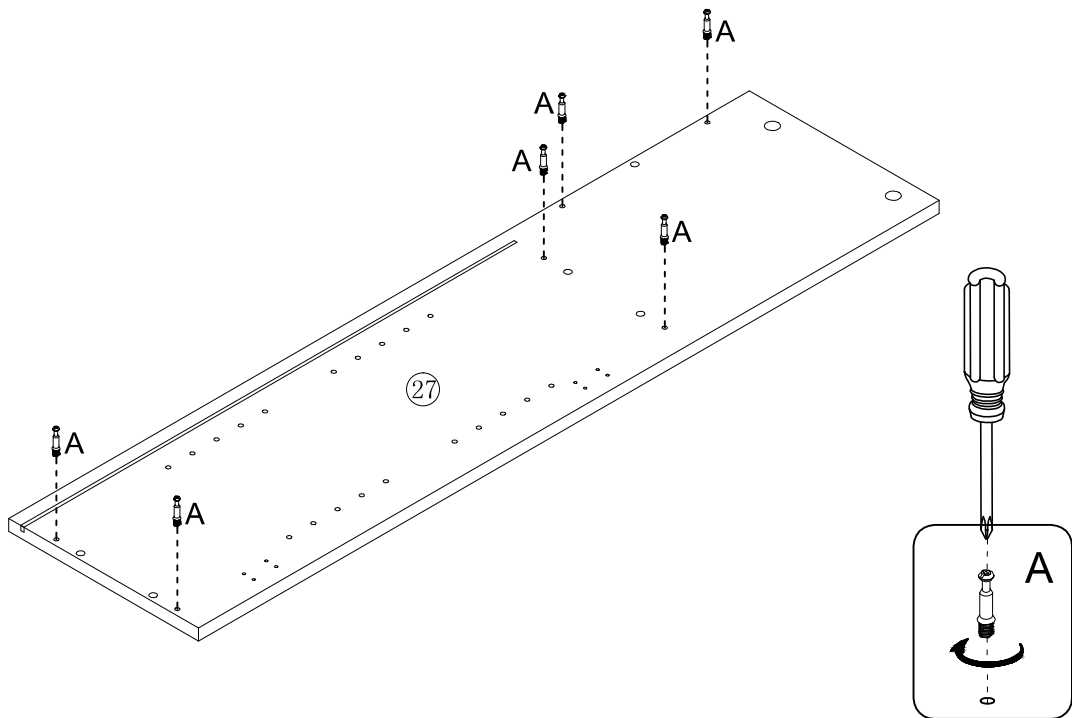
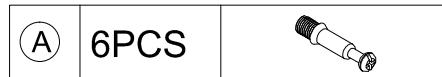
(B) 5PCS		(E) 5PCS	
----------	---	----------	---




Step 21

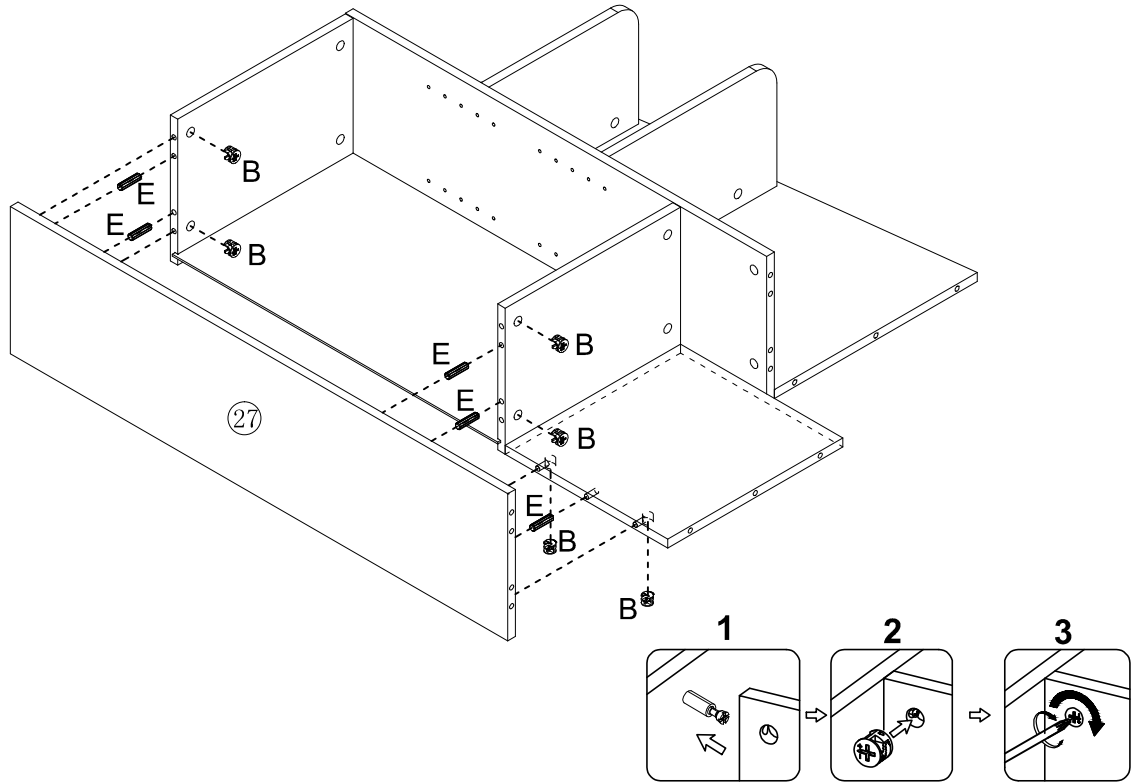


Step 22






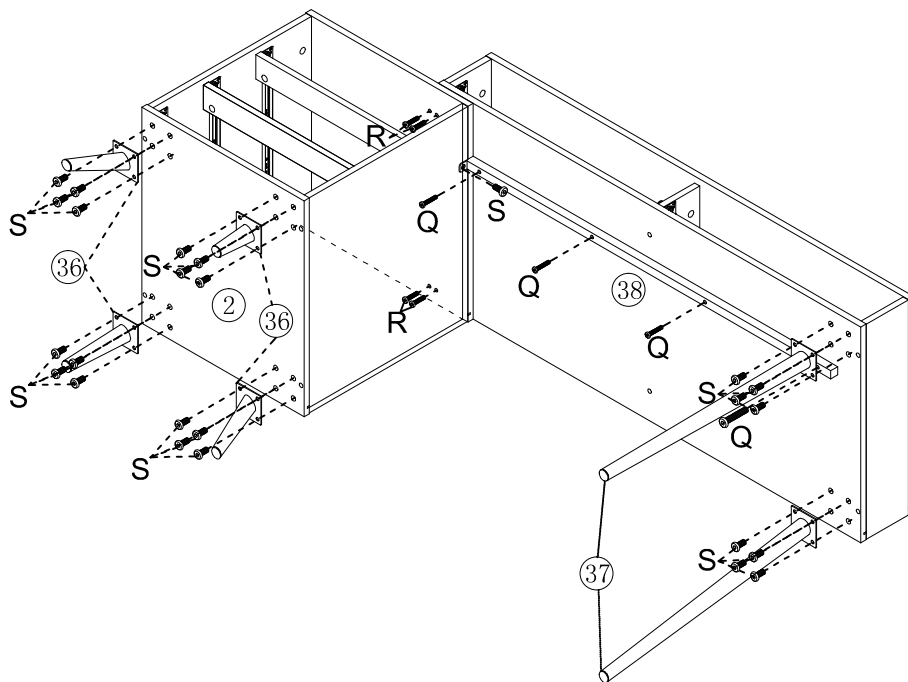
Step 23

(B) 6PCS		(E) 5PCS	
----------	---	----------	---



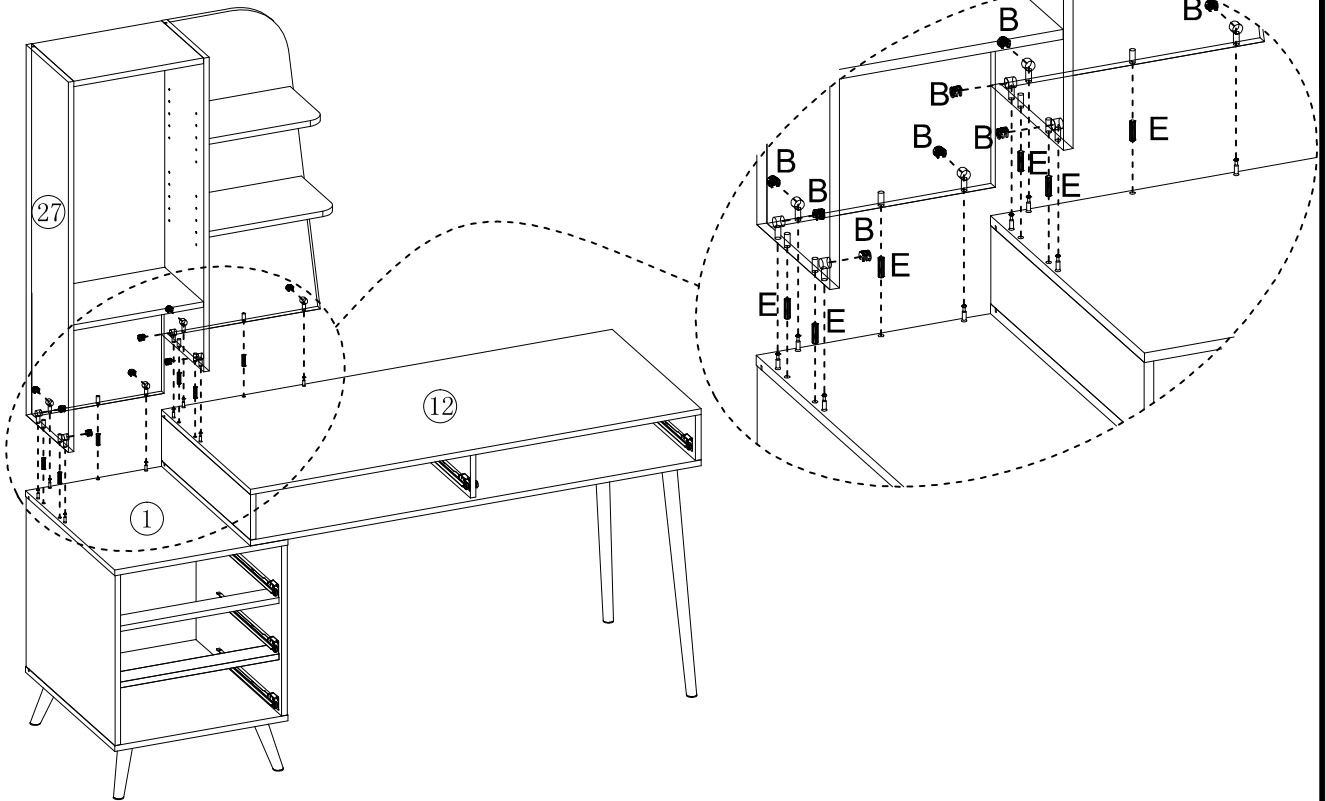
Step 24

(Q) 4PCS		(R) 4PCS	
(S) 25PCS			



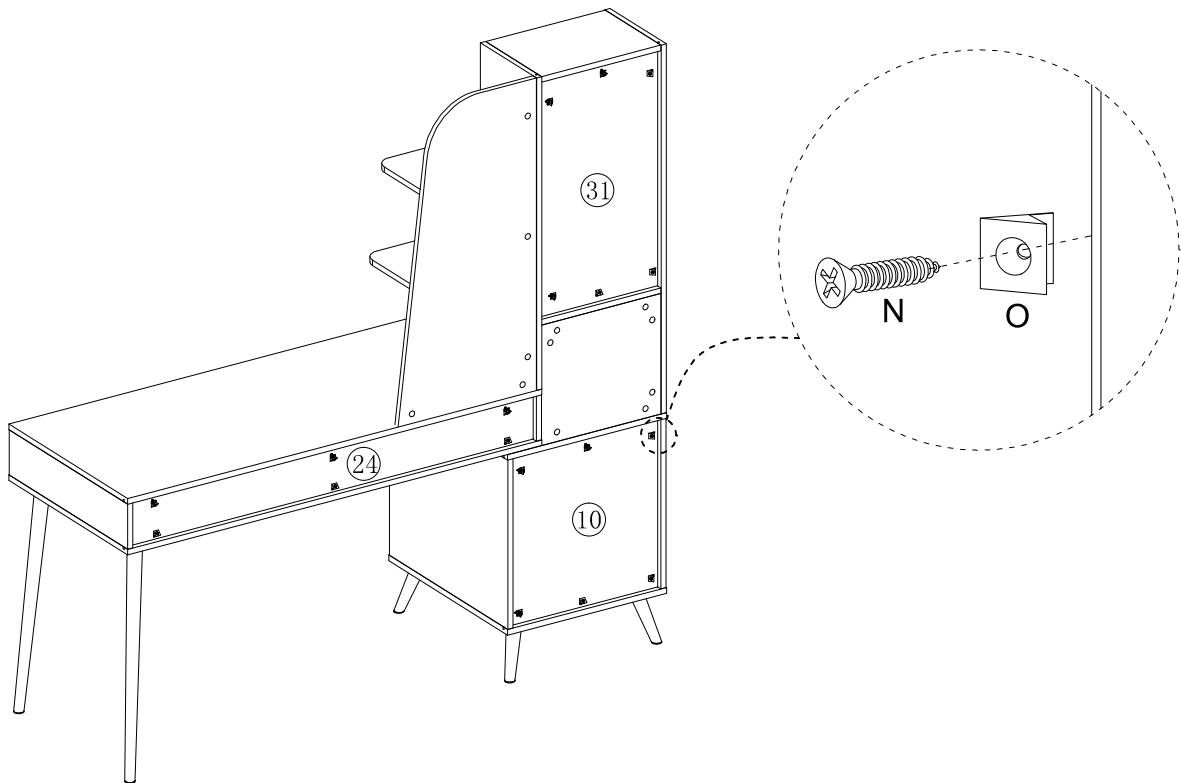
Step 25

(B) 8PCS		(E) 6PCS	
----------	---	----------	---




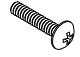

Step 26

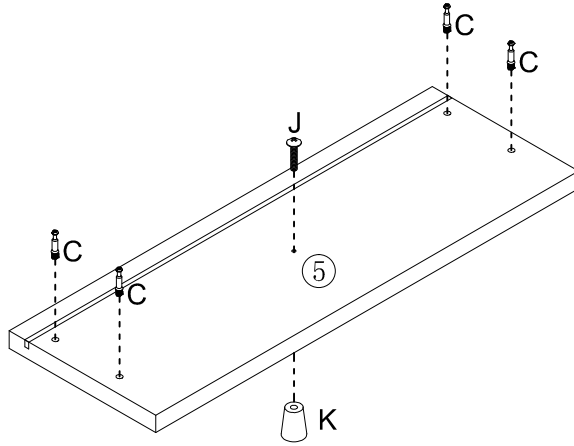
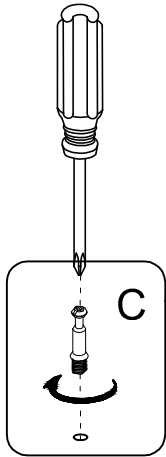
(N) 18PCS		(O) 18PCS	
-----------	---	-----------	---



PRODUCT ASSEMBLY

Step 27

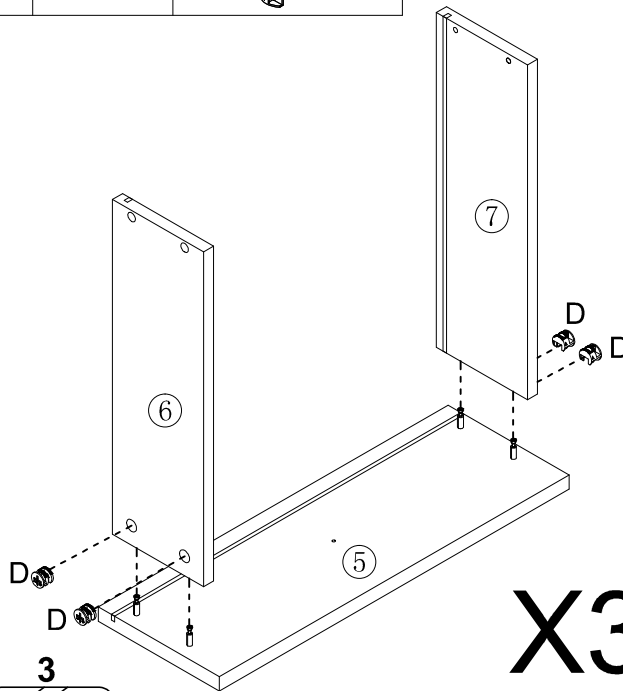
(C) 12PCS		(J) 3PCS	
(K) 3PCS			



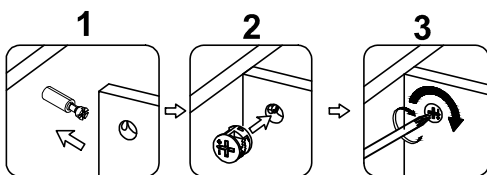
X3

Step 28

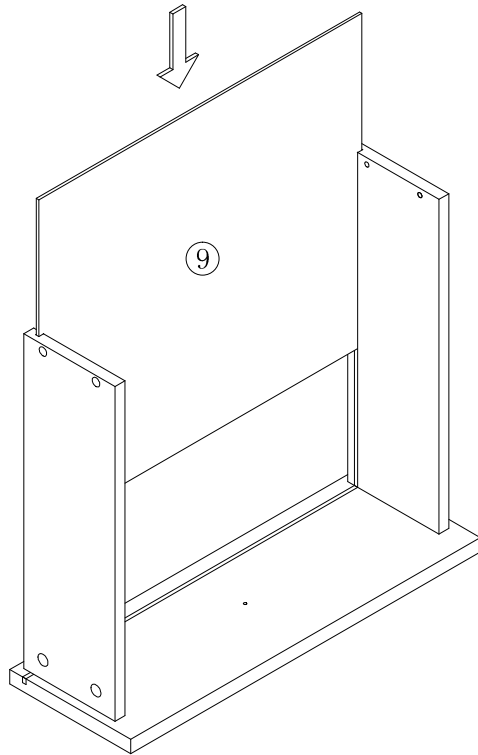
(D) 12PCS	
-----------	---



X3

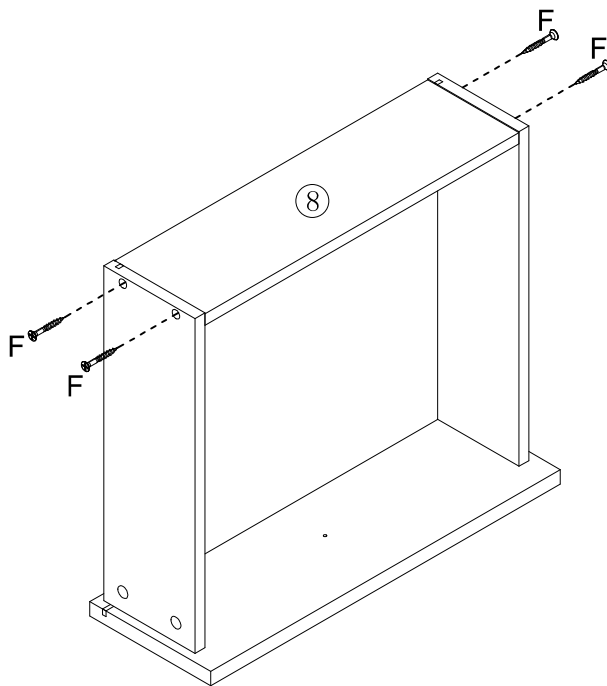
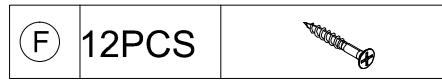


Step 29



X3

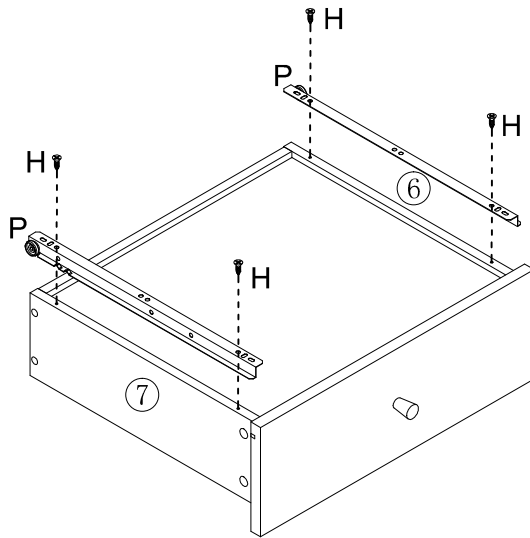
Step 30



X3


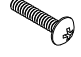

Step 31

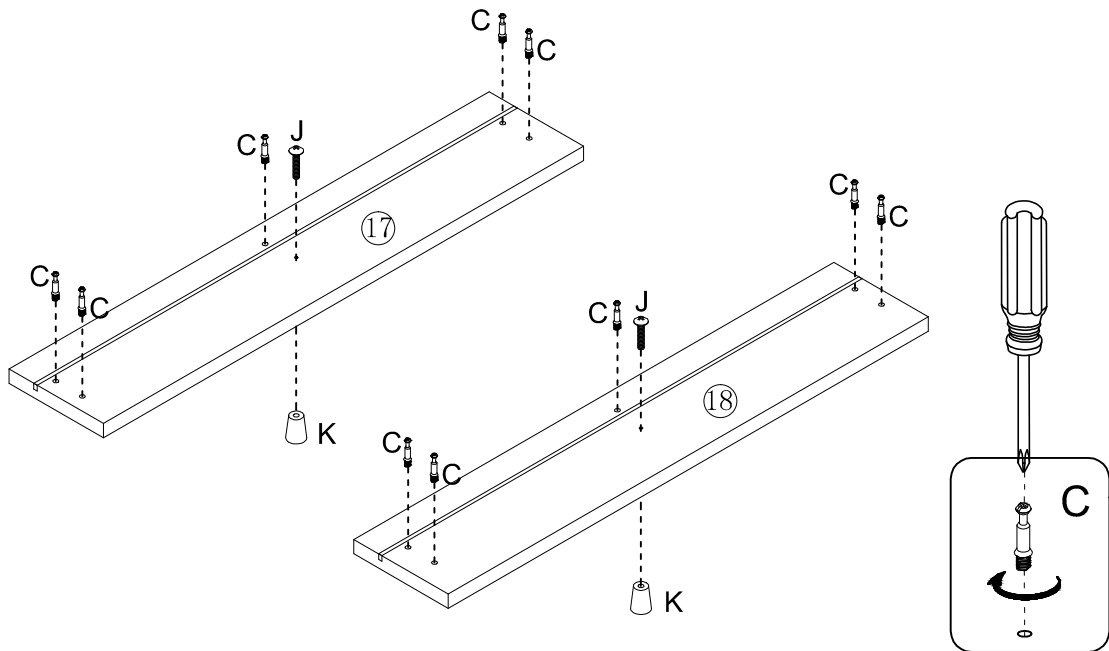
(H) 12PCS		(P) 3PCS	
-----------	---	----------	---



X3

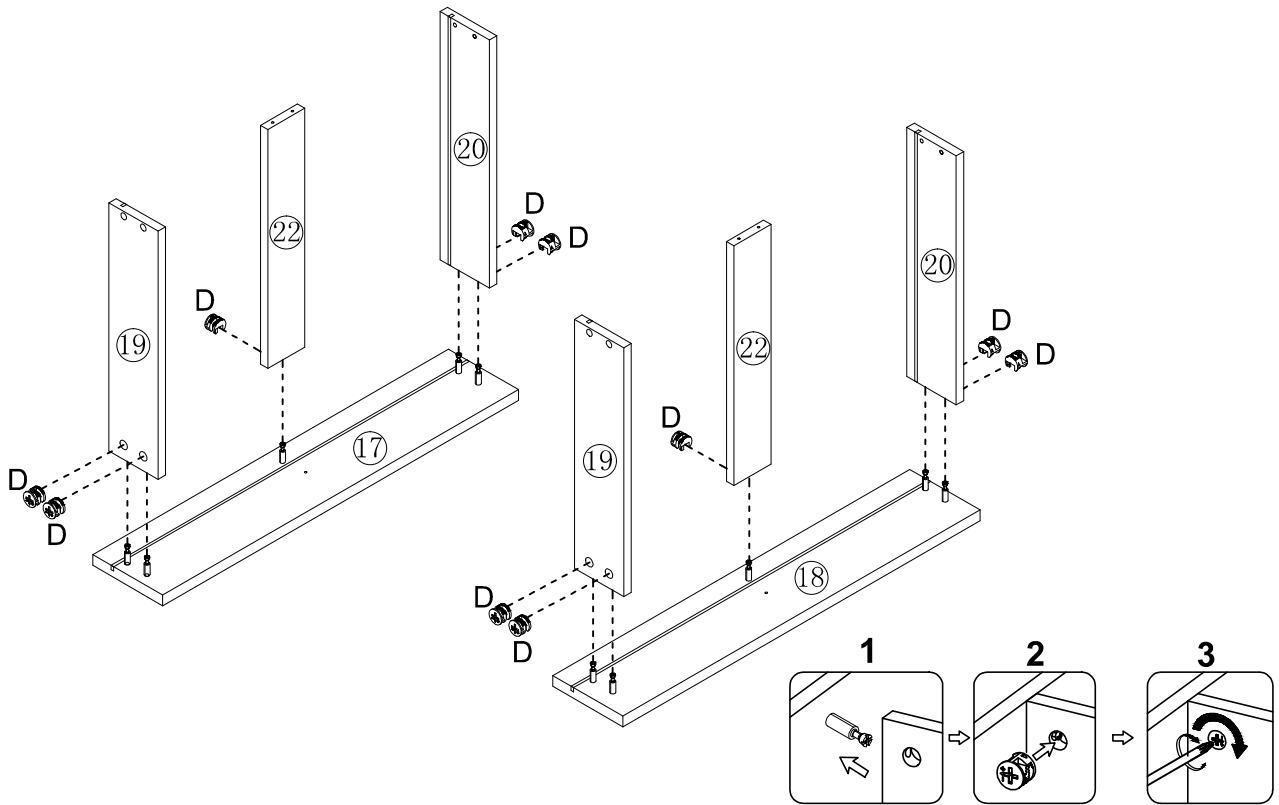
Step 32

(C) 10PCS		(J) 2PCS	
(K) 2PCS			

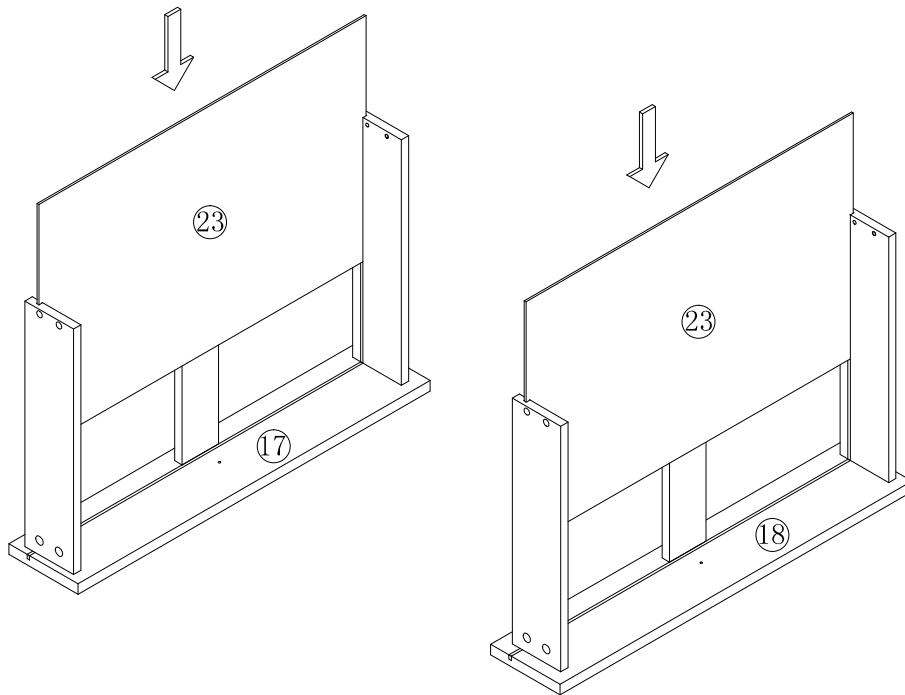


Step 33

ⓓ	10PCS	
---	-------	---

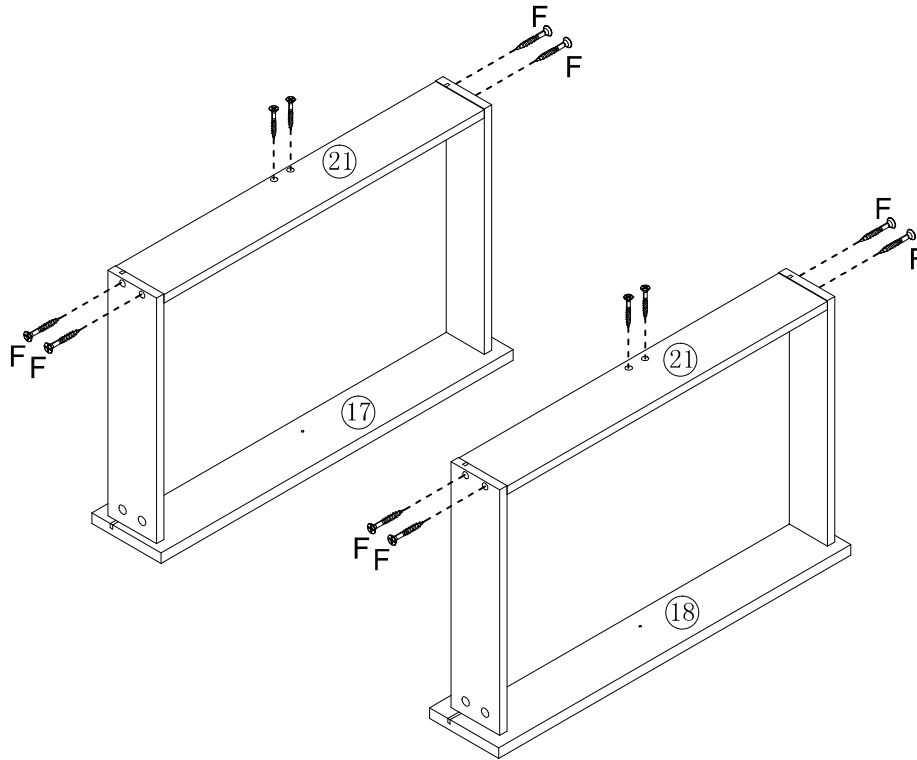


Step 34

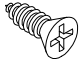



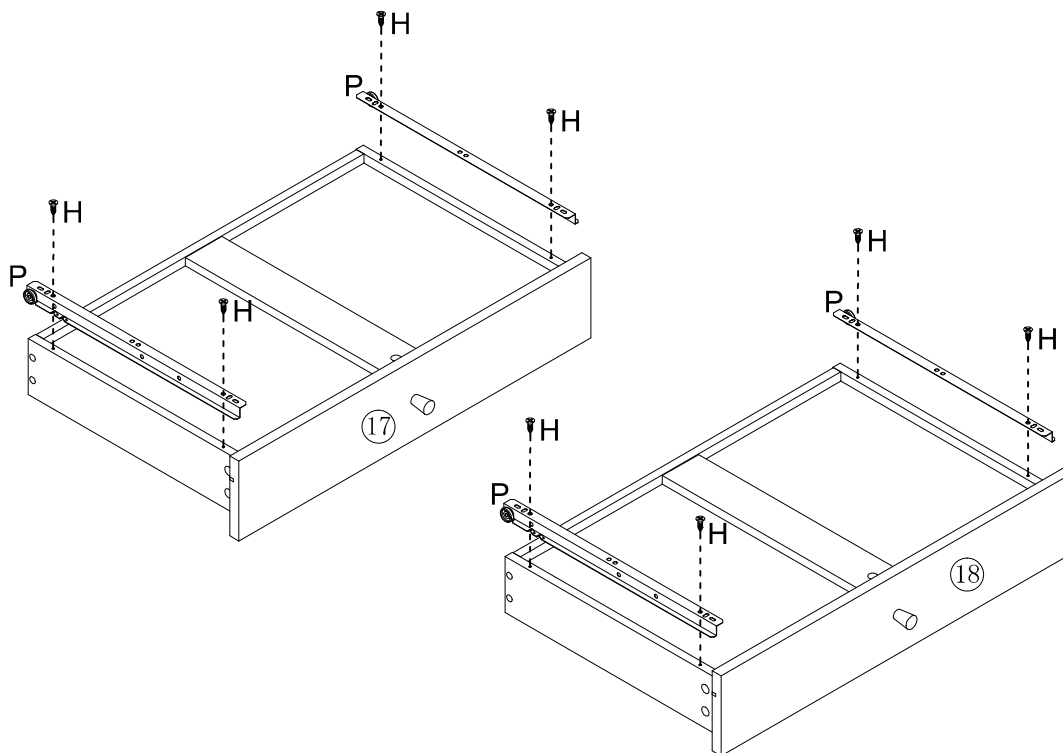
Step 35

(F)	12PCS	
-----	-------	---


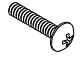
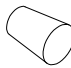
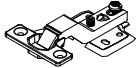


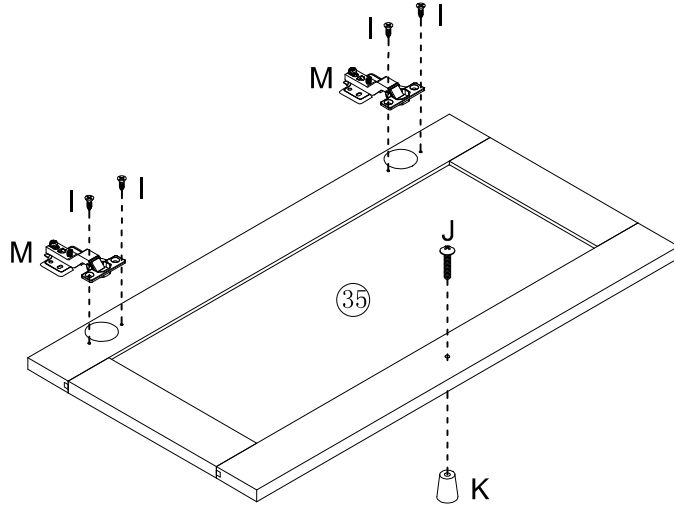
Step 36

(H)	8PCS		(P)	2PCS	
-----	------	---	-----	------	---




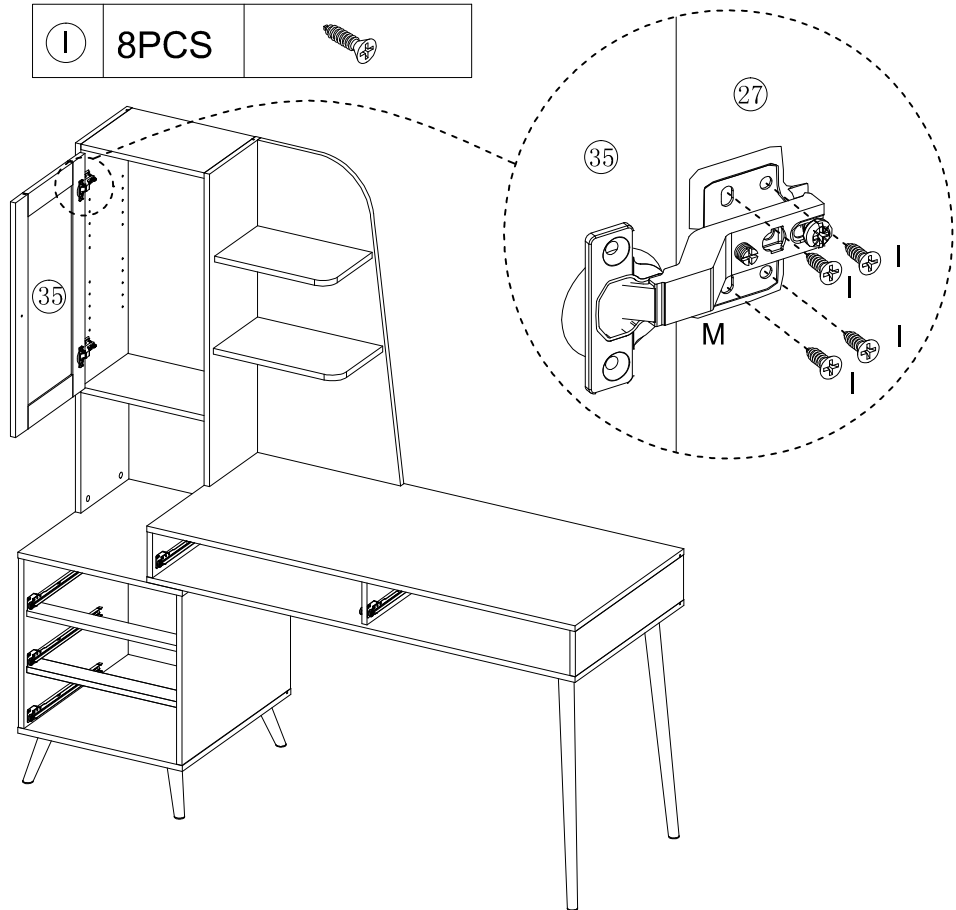
Step 37

Ⓢ	4PCS		Ⓝ	1PCS	
Ⓚ	1PCS		Ⓜ	2PCS	

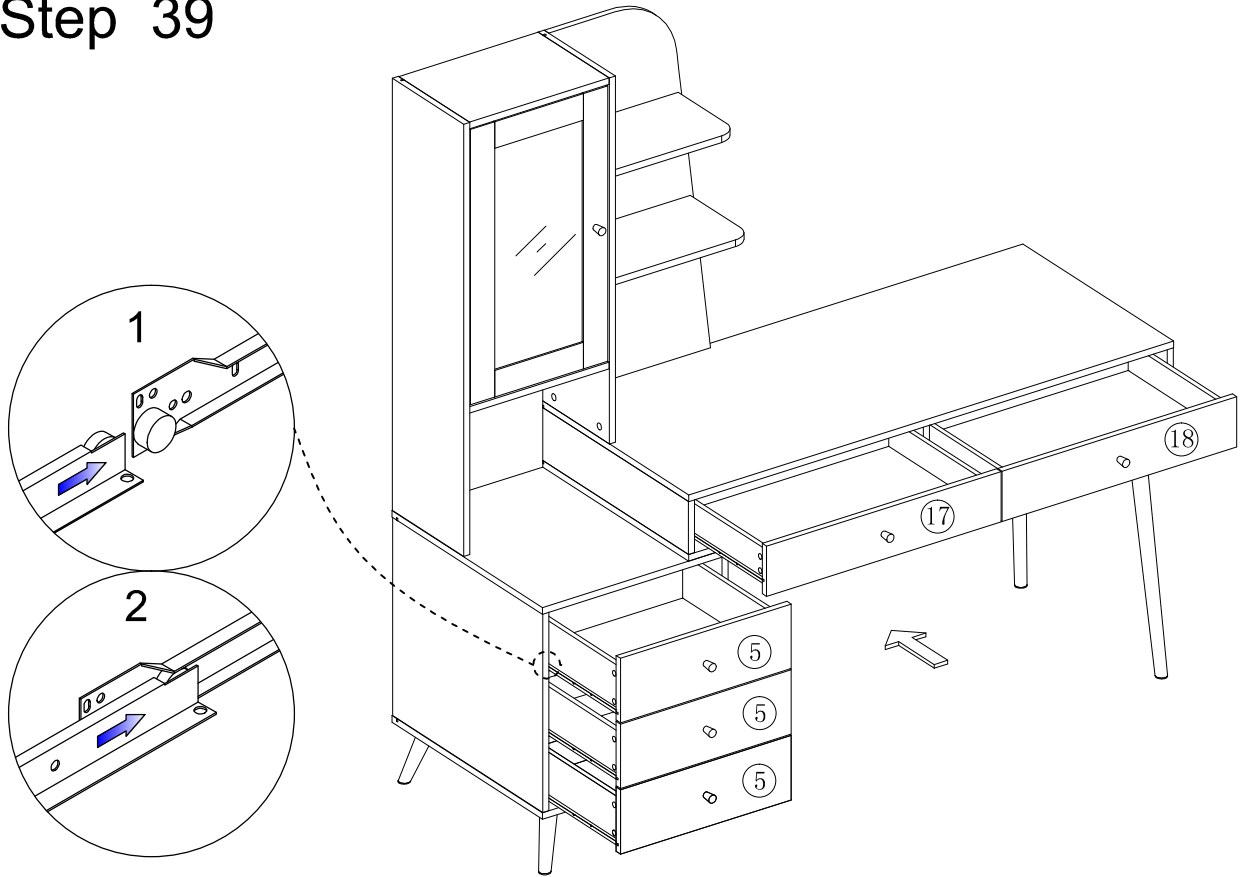


Step 38


Ⓢ	8PCS	
---	------	---

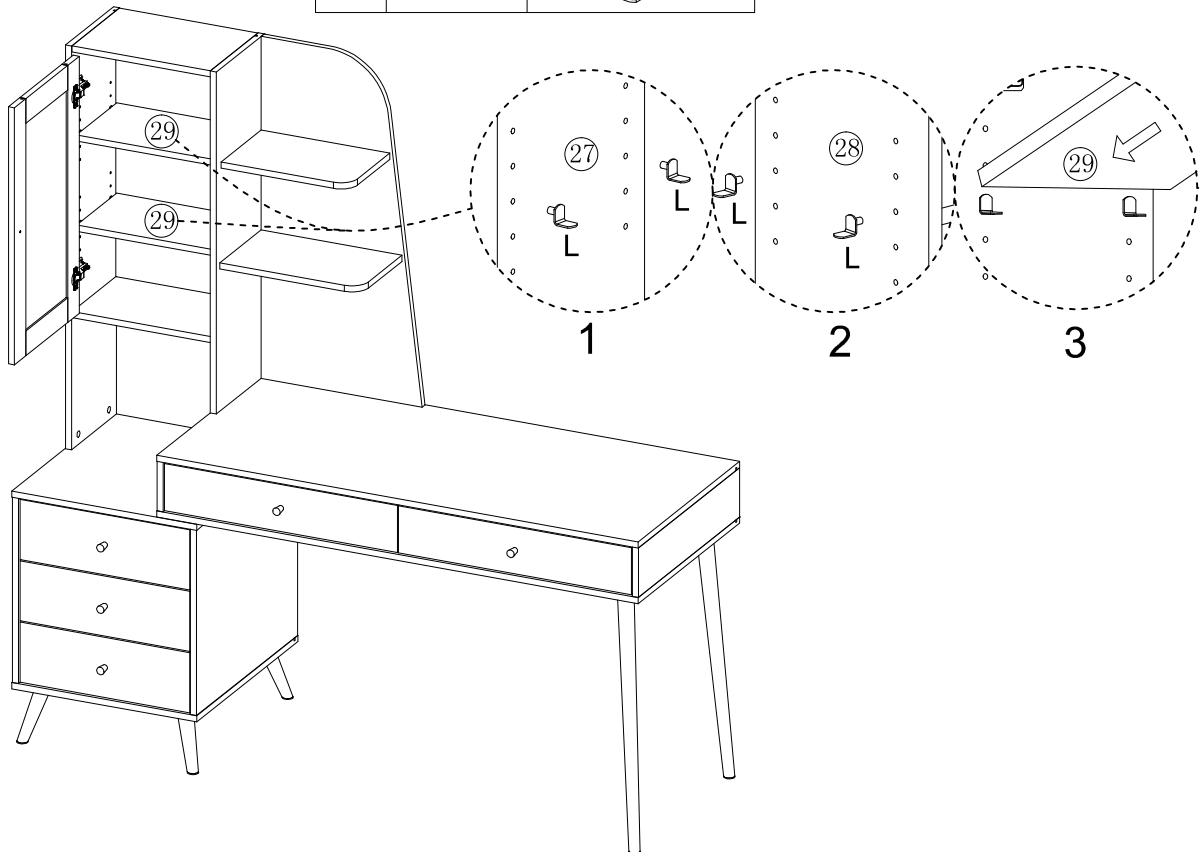


Step 39



Step 40

(L) 8PCS 



Step 41

