

ASSEMBLY INSTRUCTIONS

MODEL : FBQHFR-186A / FBFHFR-186A
 FBQDWR-186A / FBFDWR-186A
 FBQSRR-186A / FBFSRR-186A

REVISION : D








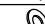


ASSEMBLY TIPS :

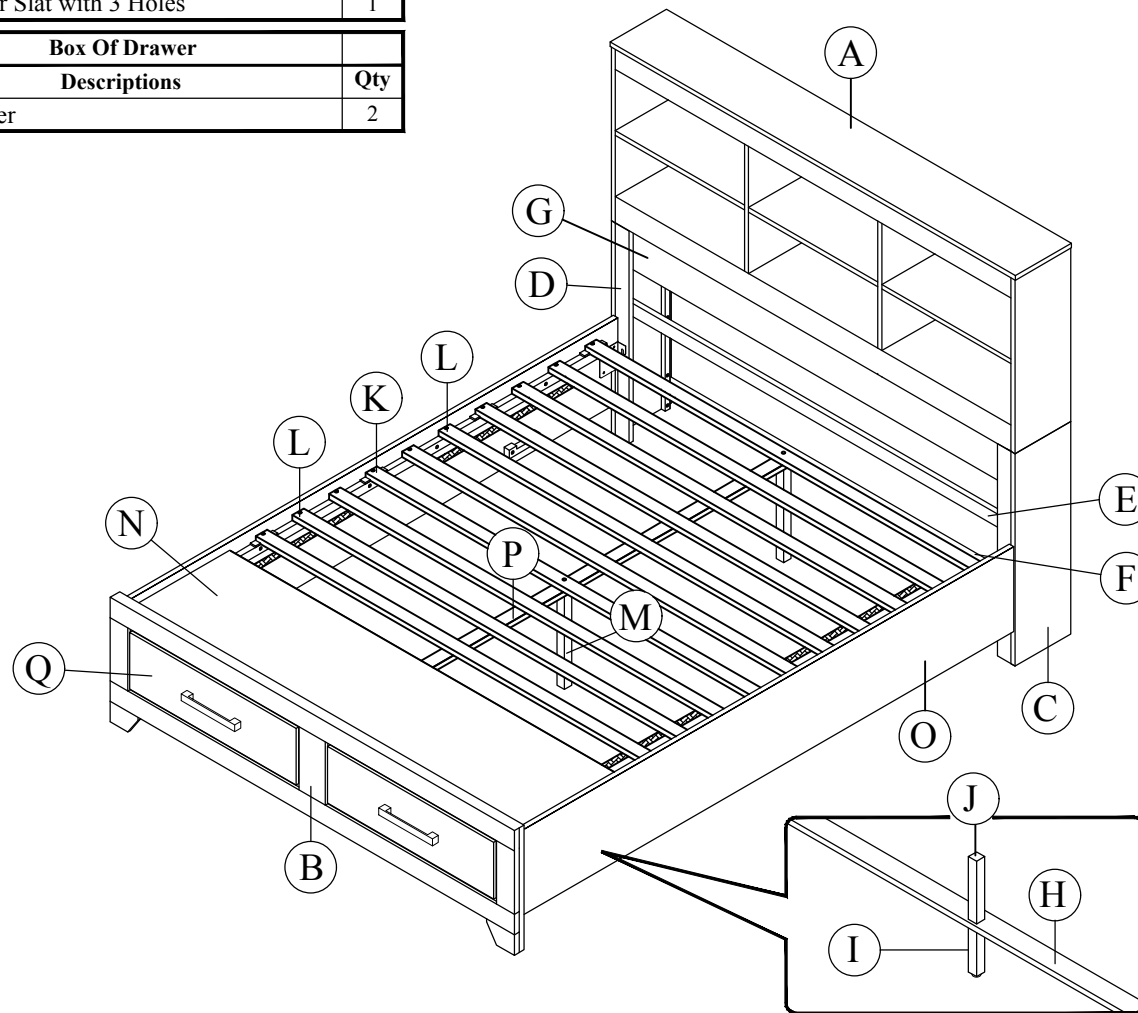
1. Remove hardware from box and sort by size.
2. Please check to see that all hardware and parts are present prior to start of assembly.
3. Please follow attached instructions in the same sequence as numbered to assure fast and easy assembly.

Component List		
Box Of Headboard & Footboard		
No	Descriptions	Qty
A	Headboard Panel	1
B	Footboard Panel	1
C	Headboard Leg Right	1
D	Headboard Leg Left	1
E	Headboard Support Rail Front	1
F	Headboard Support Rail Back	1
G	Front Panel Bottom Cover	1
H	Drawer Slat	1
I	Drawer Slat Support	1
J	Drawer Slat Support Stopper	1
K	Bed Slat 3 Holes	3
L	Bed Slat 2 Holes	10
M	Bed Slat Support	3
N	Slat Cover	1

Box Of Side Rail		
No	Descriptions	Qty
O	Bed Rail	2
P	Center Slat with 3 Holes	1

Box Of Drawer		
No	Descriptions	Qty
Q	Drawer	2

Box Of Headboard & Footboard			
Hardware List			
No	Descriptions		Qty
1	CSK M4 x 16mm		6
2	CSK M4 x 25mm		8
3	CSK M4 x 32mm		30
4	JCBC Screw M6 x 35mm		6
5	JCBC Screw M6 x 50mm		3
6	PHCB Screw M4 x 20mm		9
7	Spring Washer Ø1/4"		6
8	Flat Washer Ø1/4" x 20mm		6
9	L Key M4 x 65mm		1
10	L Key M5		1

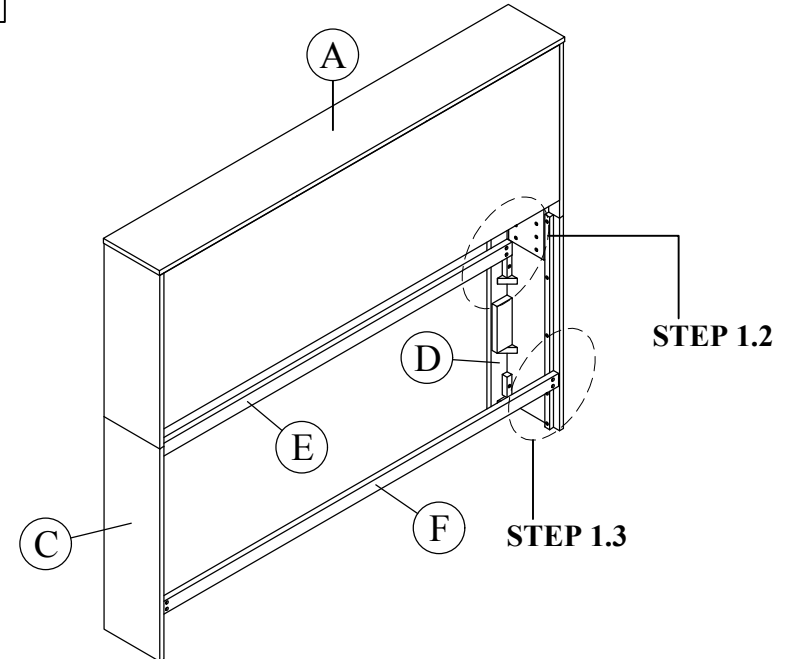
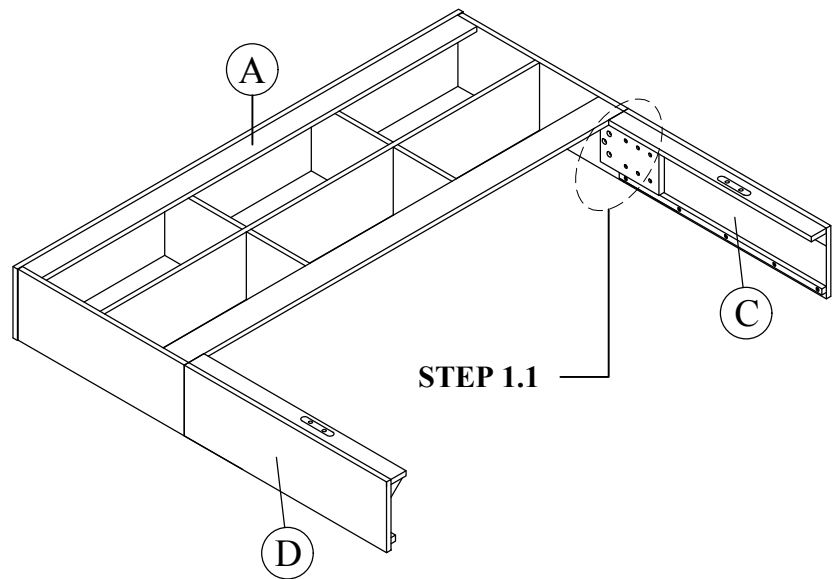
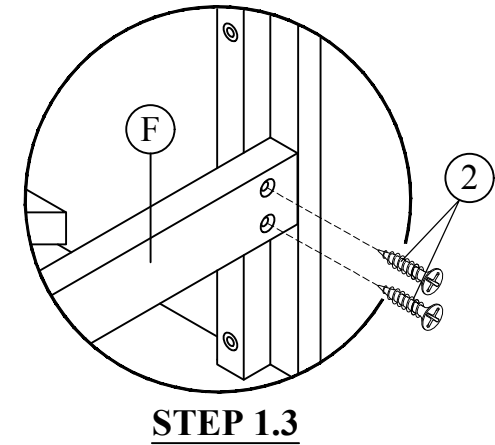
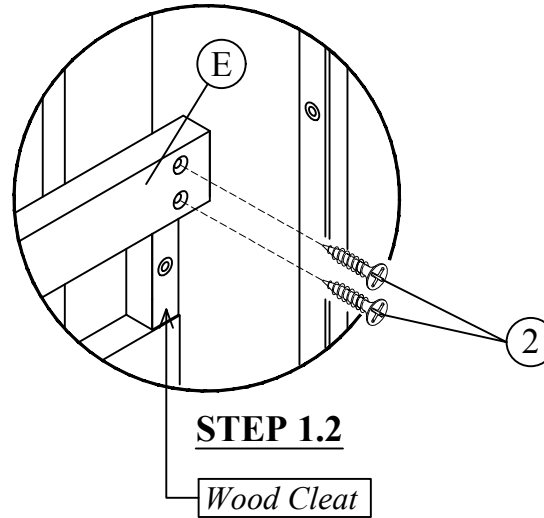
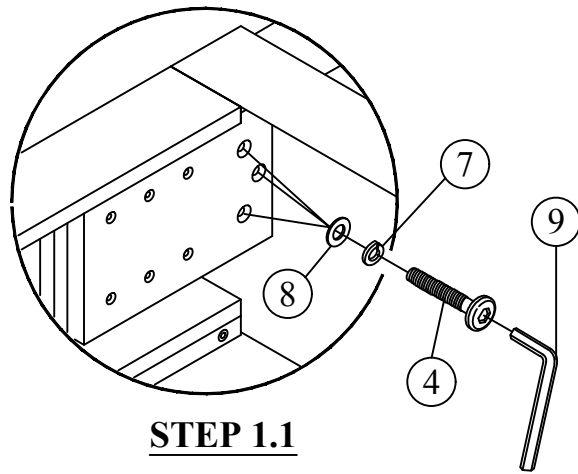


ASSEMBLY INSTRUCTIONS

STEP 1.1: Attach & tighten the headboard leg (C) & (D) to the headboard (A). Affix headboard & headboard leg using JCBC screw M6 x 35mm (4), spring washer (7), flat washer (8) using L key M4 x 65mm (9).

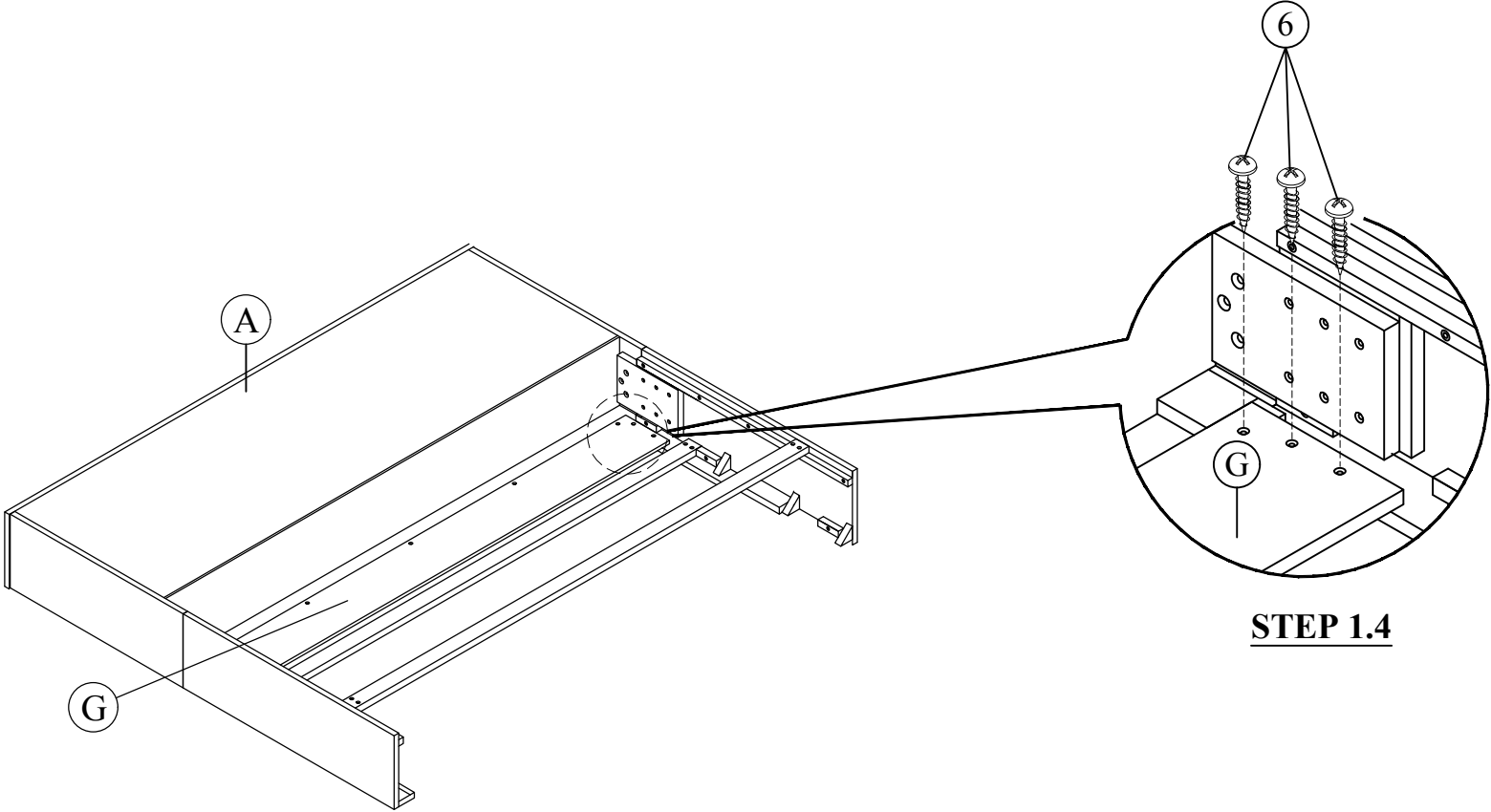
STEP 1.2: Attach headboard support rail front (E) & affix using CSK M4 x 25mm (2). (Attach at the top of wood cleat as shown in diagram.)

STEP 1.3: Attach headboard support rail back (F) & affix using CSK M4 x 25mm (2).



ASSEMBLY INSTRUCTIONS

STEP 1.4: Attach Front Panel Bottom Cover (G) & affix using PHCB Screw M4 x 20mm (6)



STEP 1.4

ASSEMBLY INSTRUCTIONS

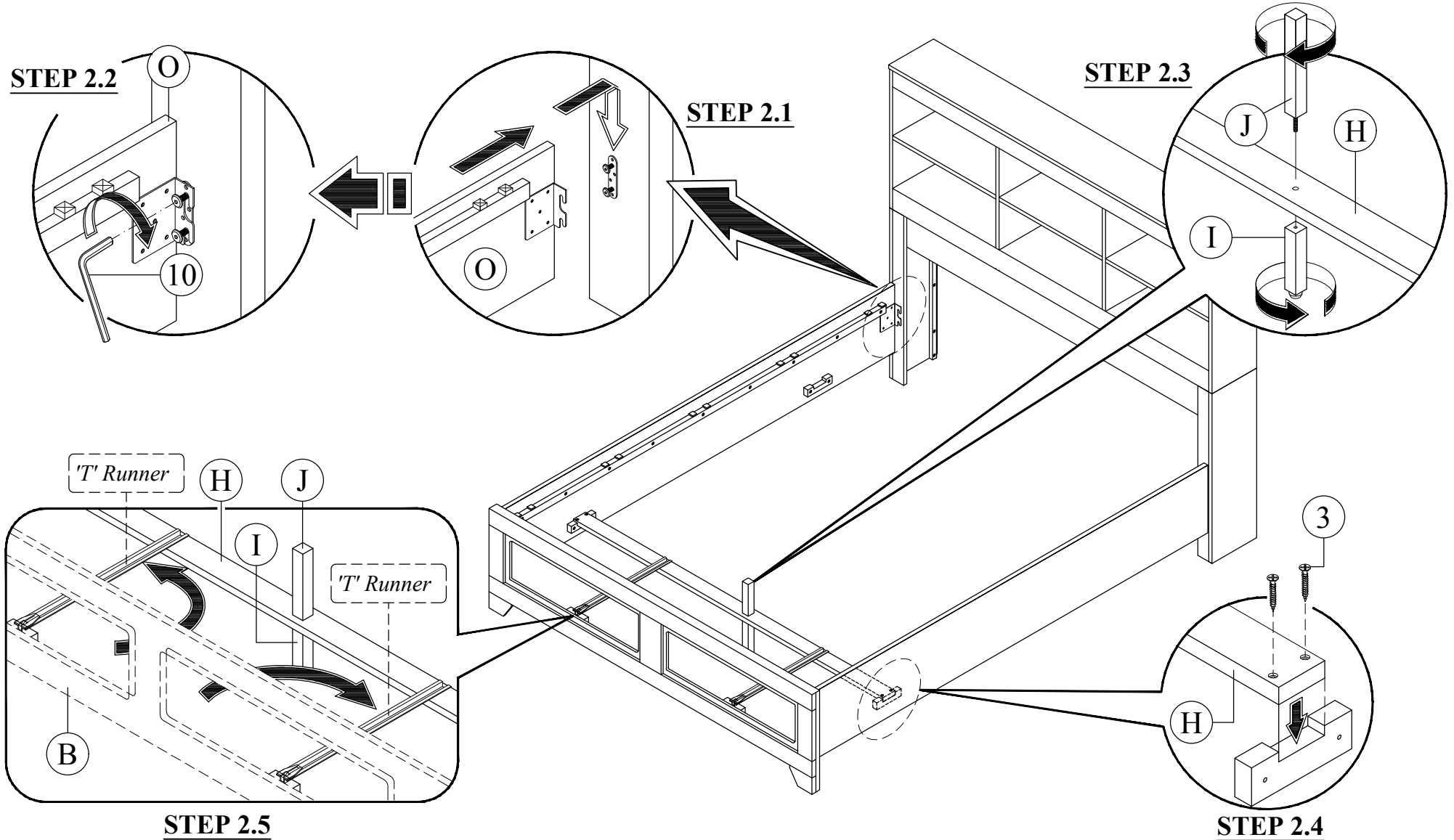
STEP 2.1: Attach the Side Rail (O) to Headboard Leg.

STEP 2.2: Tighten screw on Headboard Leg by using L key M5 (10) & repeat the same step on Footboard (B).

STEP 2.3: Attach the Drawer Slat (H) to a Drawer Slat Support (I) and fix with Drawer Slat Support Stopper (J).

STEP 2.4: Fix the Drawer Slat (H) to Side Rail (O) with CSK M4 x 32mm (3).

STEP 2.5: Move 'T' runner at Footboard (B) to Drawer Slat (H).

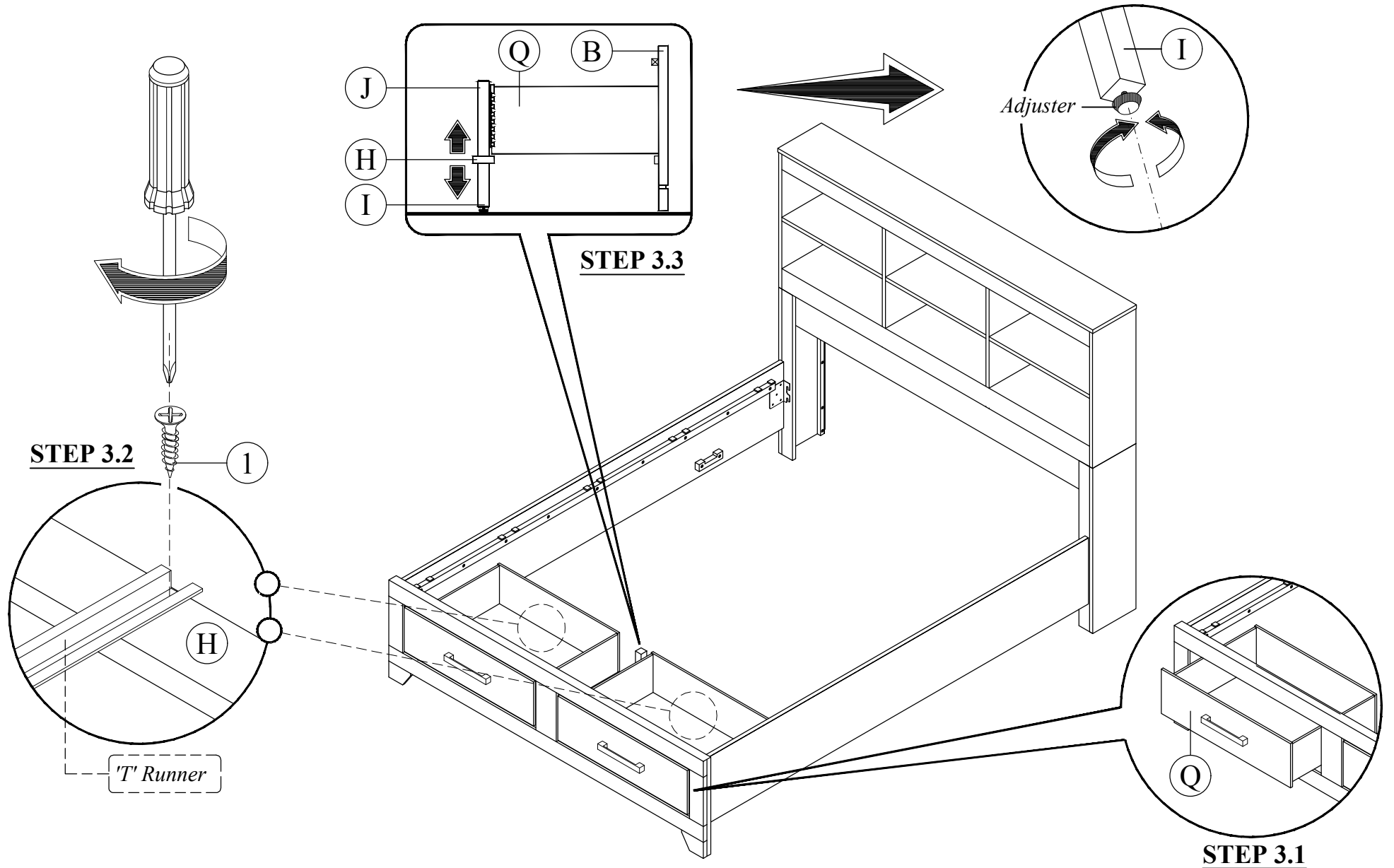


ASSEMBLY INSTRUCTIONS

STEP 3.1: Insert Drawer (Q) to Footboard (B) until completely closed.

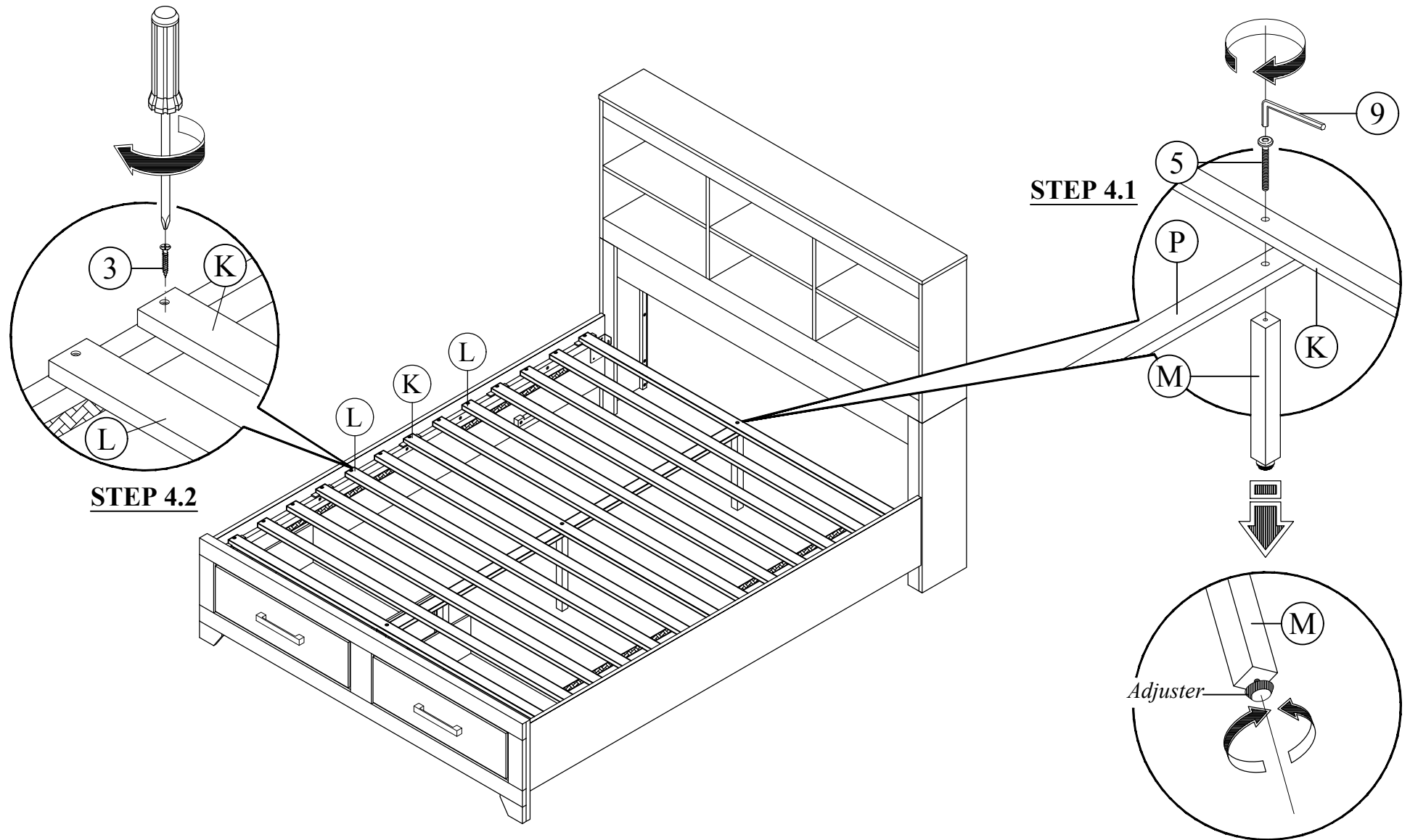
STEP 3.2: Tighten 'T' runner at Footboard (B) to Drawer Slat (H) with CSK M4 x 16mm (1).

STEP 3.3: If Drawer (Q) does not close properly, adjust the adjuster at the bottom of Drawer Slat Support (I) up or down until the Drawer (Q) closes tightly.



ASSEMBLY INSTRUCTIONS

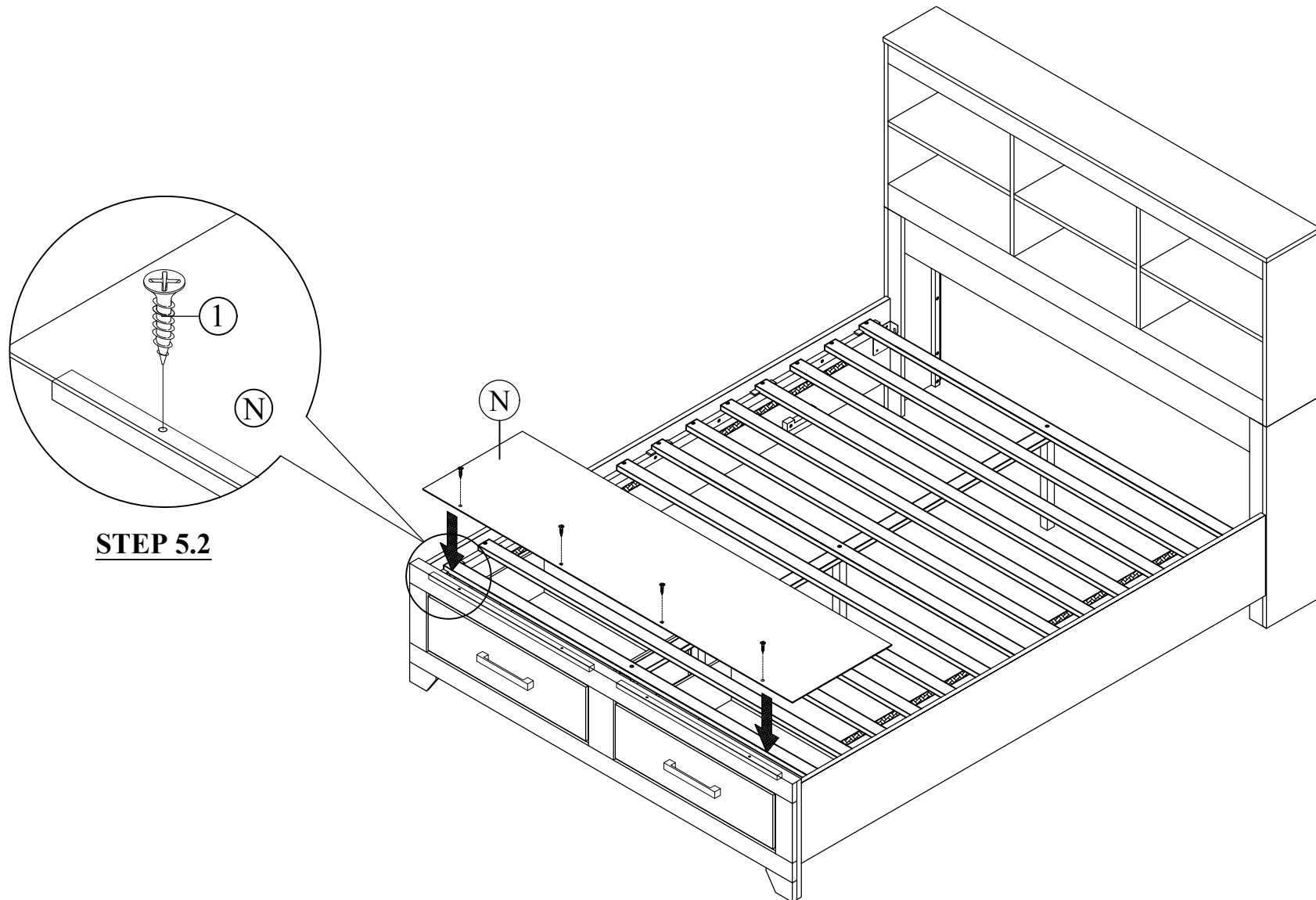
- STEP 4.1: Attach the Center Slat (P), Bed Slat 3 Holes (K) to Bed Slat Support (M). Tighten with JCBC M6 x 50mm (5) by using L key M4 (9).
- STEP 4.2: Attach Bed Slat 3 Holes (K) & Bed Slat 2 Holes (L) and tighten to Bed Rail (O) with CSK M4 x 32mm (3).



ASSEMBLY INSTRUCTIONS

STEP 5.1: Attach the Slat Cover (N) to top Bed Slat 3 Holes (K) & Bed Slat 2 Holes (L) .

STEP 5.2: Close the distance Slat Cover (N) to Footboard (B). Tighten Slat Cover (N) to wood at Footboard (B) with CSK M4 x 16mm (1).



STEP 5.2