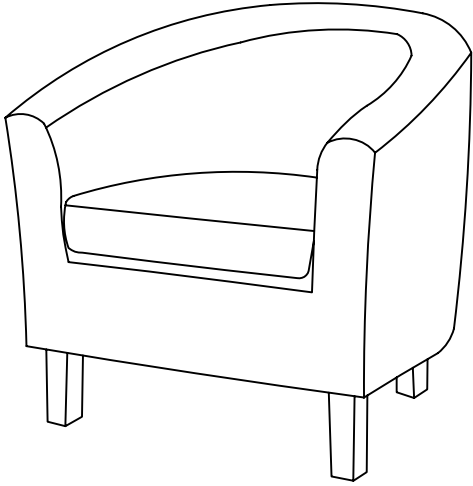
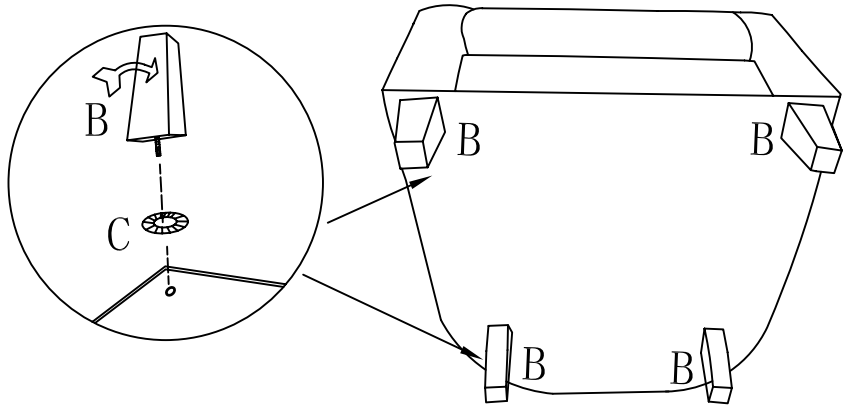
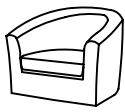

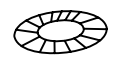
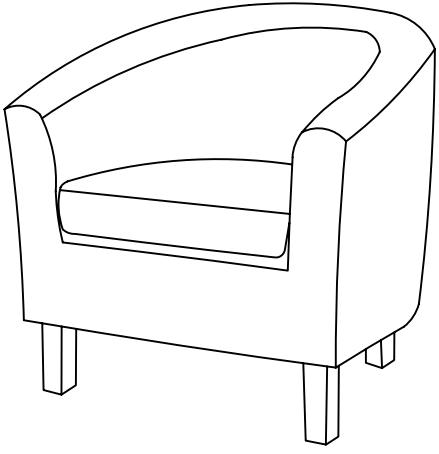


Model # : Y-T571C Assembly Instruction

				<p>STEP :</p> 			
ITEM	PART	NAME	QUANTITY				
(A)		SEAT	1				
(B)		LEG	4				
(C)		WASHER	4				

NOTE:

PLEASE PUT THE CHAIR ONTO A SOFT AND CLEAN SURFACE FOR ASSEMBLY.