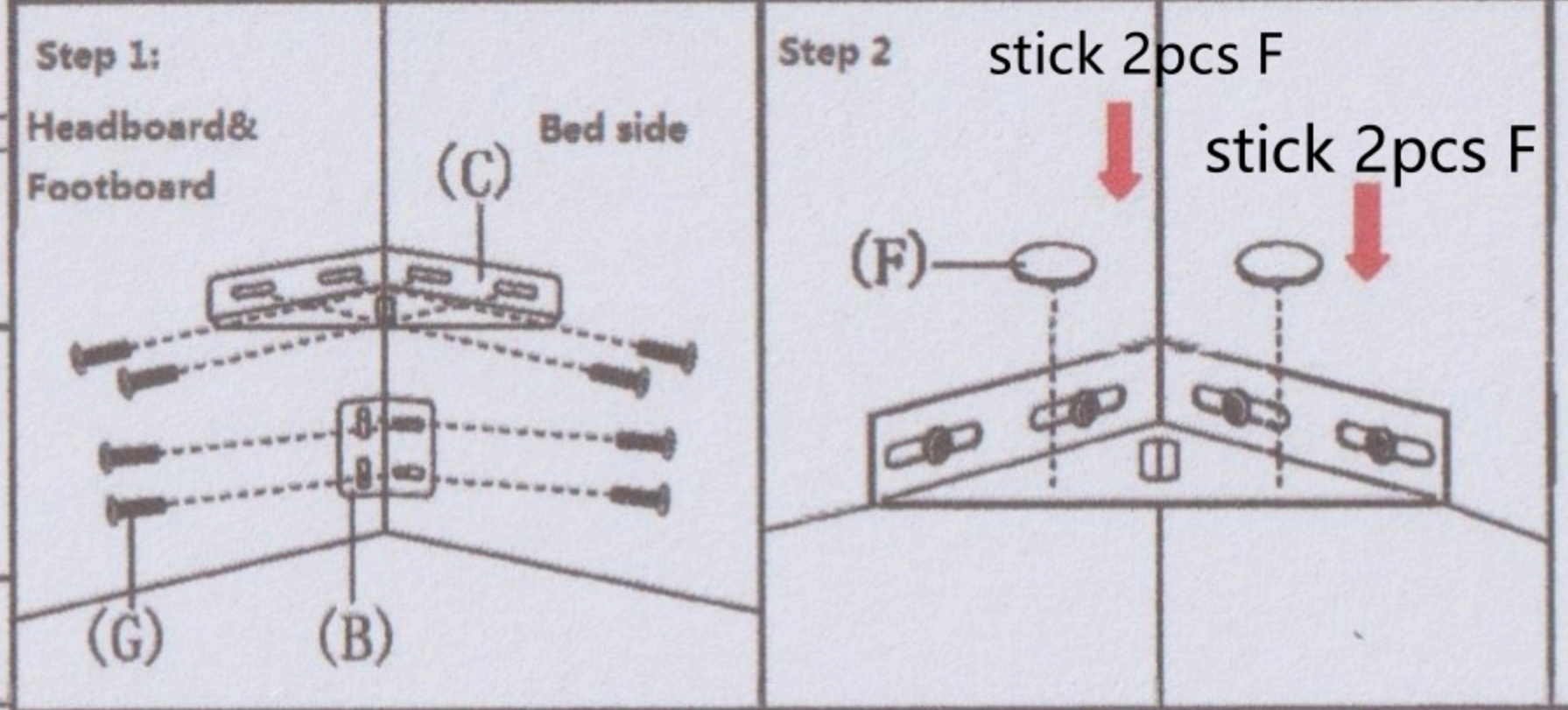


# Assembly Instruction

Model no.	M56	Bed Slat Size
Spec. :	153*203	
Dimension		

Picture 1: Assembly Instruction of B and C

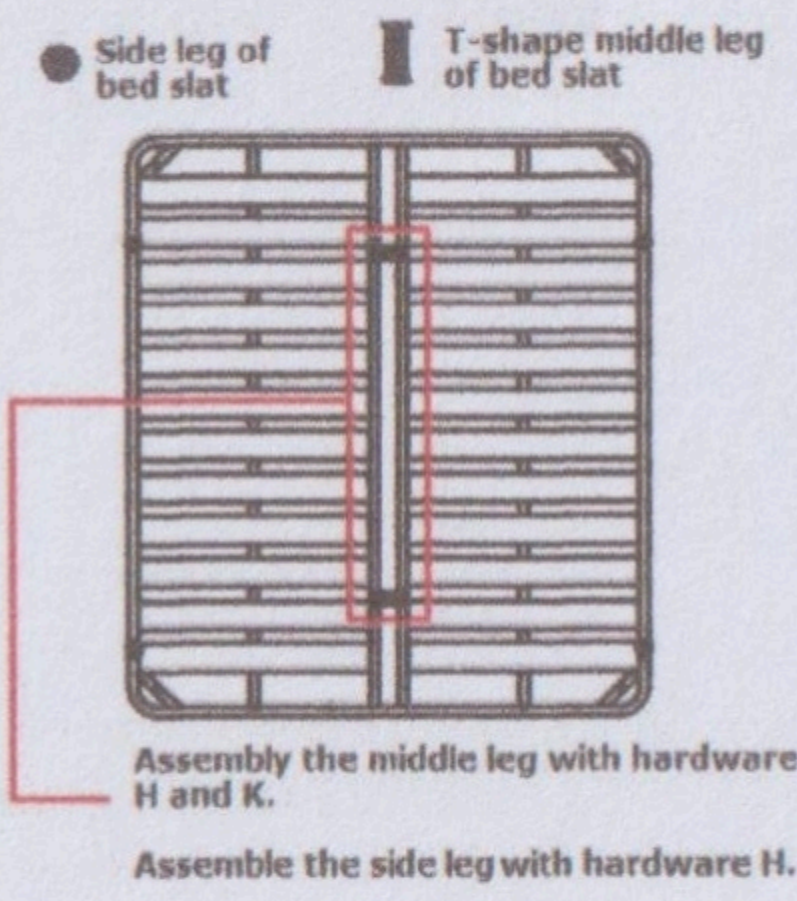


## Hardware list

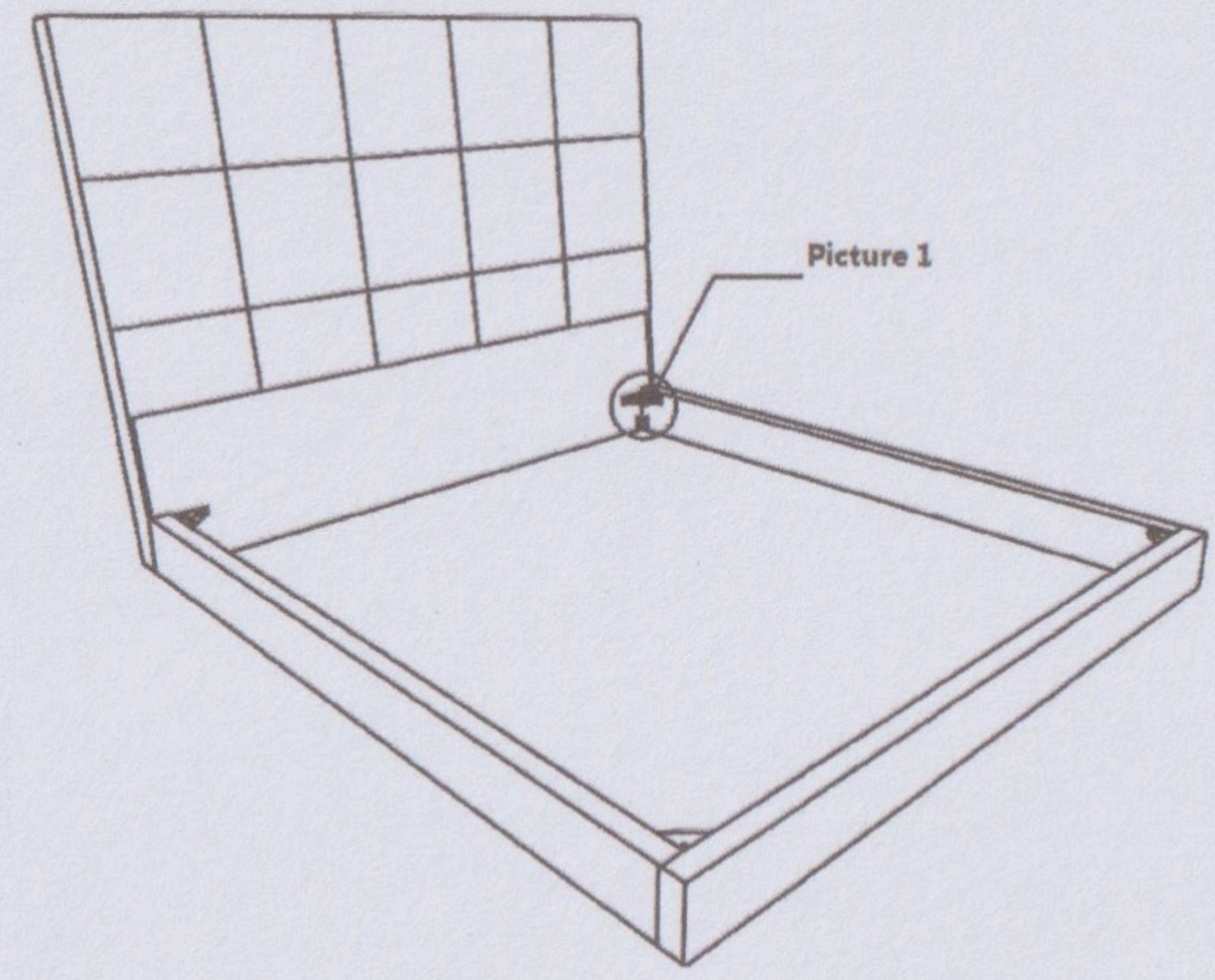
No.	Name	PIC.	QTY
A	Instruction		1
B	Corner brace (S size)		4
C	Corner brace (L size)		4
D	Right Angle		4
E	T Angle		2
F	spacer		8
G	M3*25 Screw		35
H	M8*50 Screw		8
	M8 Nut		4
	bed slat		1

## Component list

No.	Name	Specification	QTY
①	Headboard		1
②	Border		3
③			
④			
⑤			



## STEP 1:



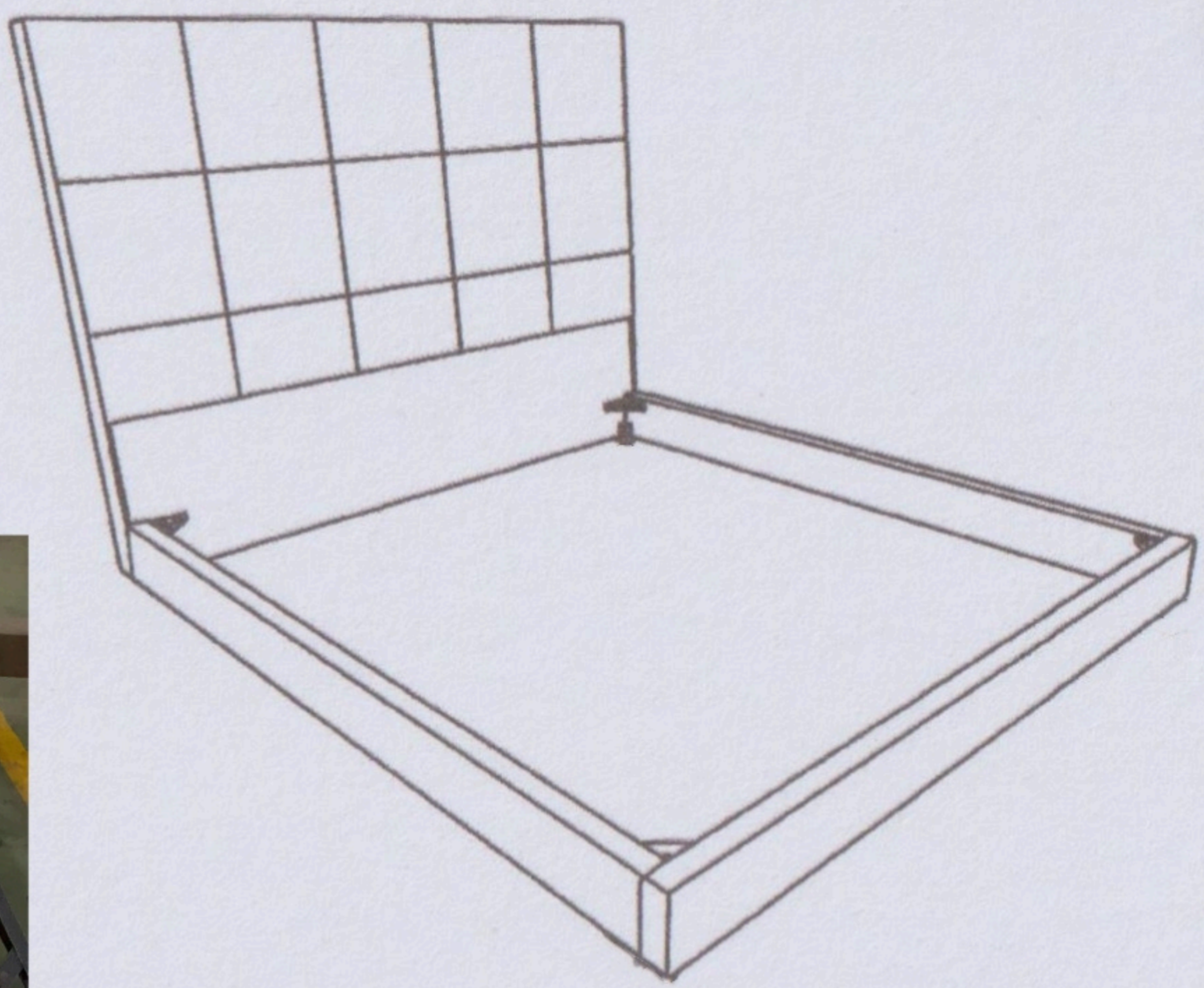
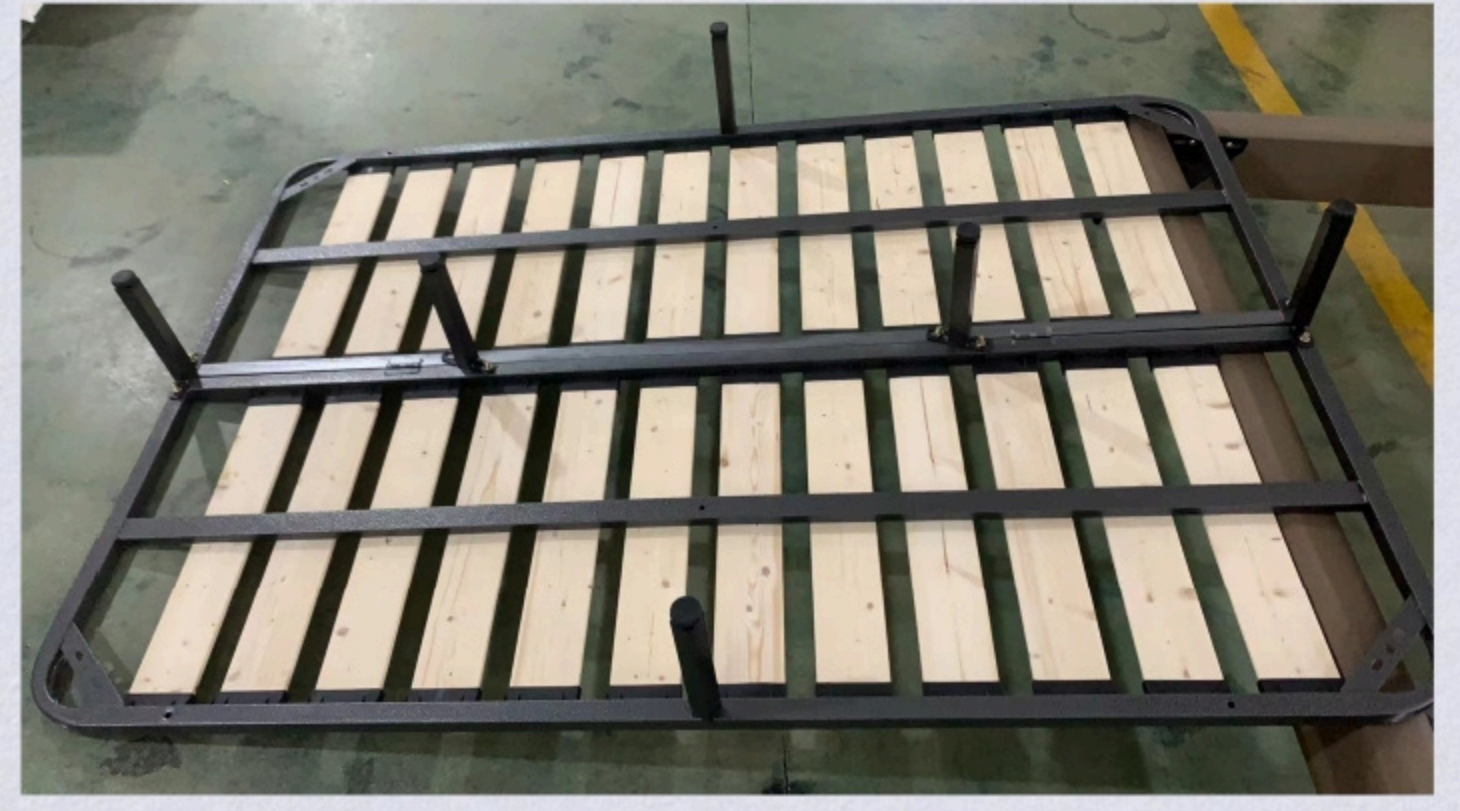
bed legs fixing



angle fixing

## STEP 3 :

### leg fixing to bed slats :



How to distinguish the left and right side of the bed?

Right Border Left Border

To confirm the left and right side after people lay on the bed. Picture for direction reference only.

