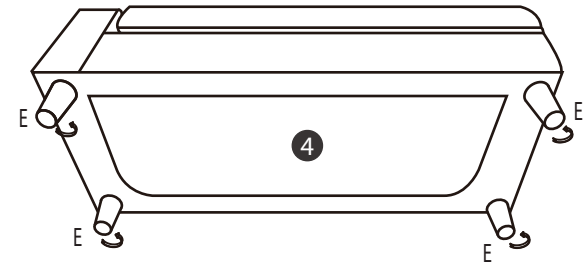
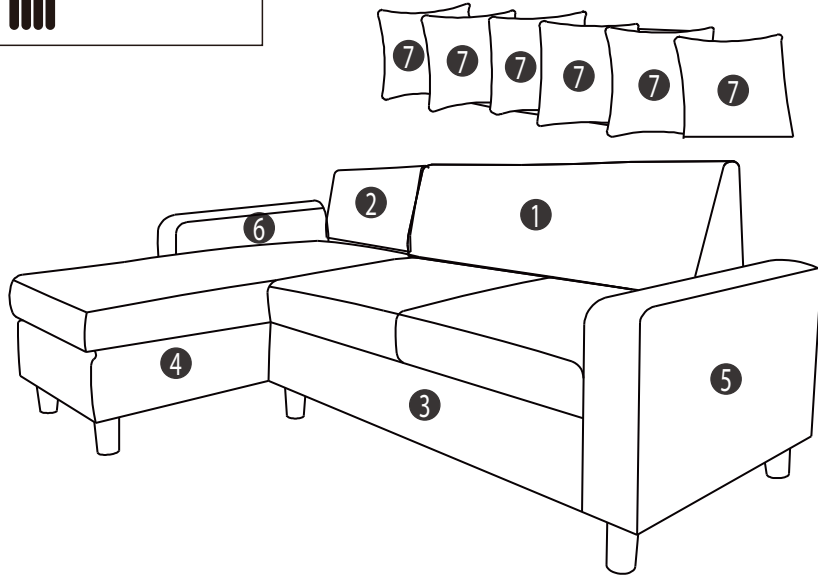


Instruction

Divano Reversible Corner Sofa



Step 1



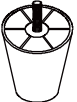
PARTS LIST

| | | | |
|--------------------------|----|--------------------------|----|
| 1 Sofa Backrest | x1 | 5 Right Arm | x1 |
| 2 Chaise Backrest | x1 | 6 Left Arm | x1 |
| 3 Sofa Seat | x1 | 7 Backrest Pillow | x6 |
| 4 Chaise Seat | x1 | | |

A  Bolt x 12

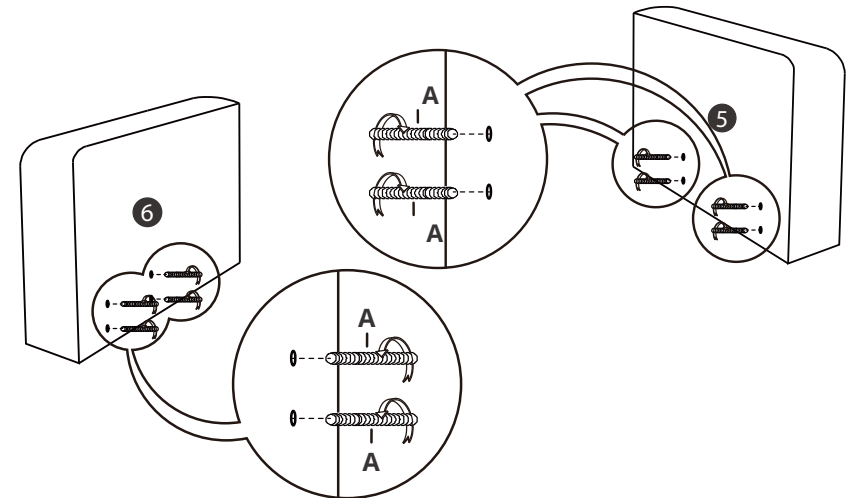
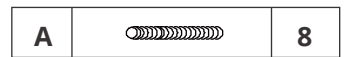
D  Wrench x 2

B  Washer x 16

E  Foot x 8

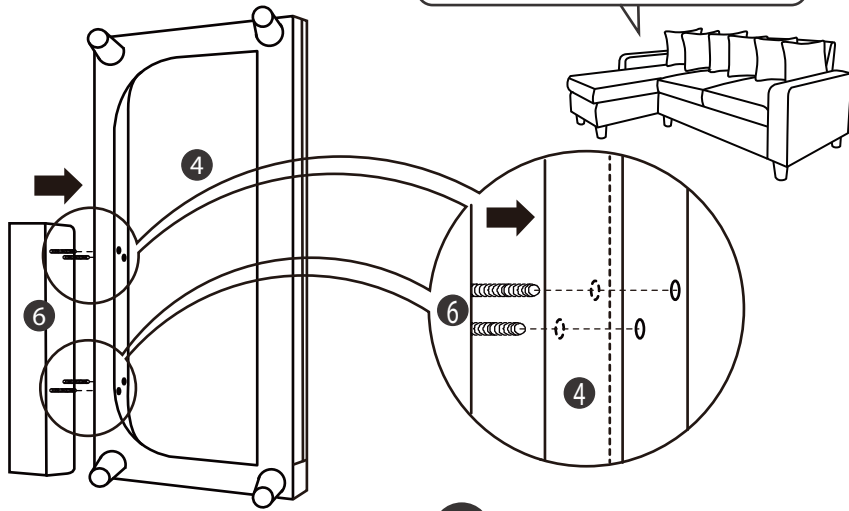
C  Nut x 16

Step 2



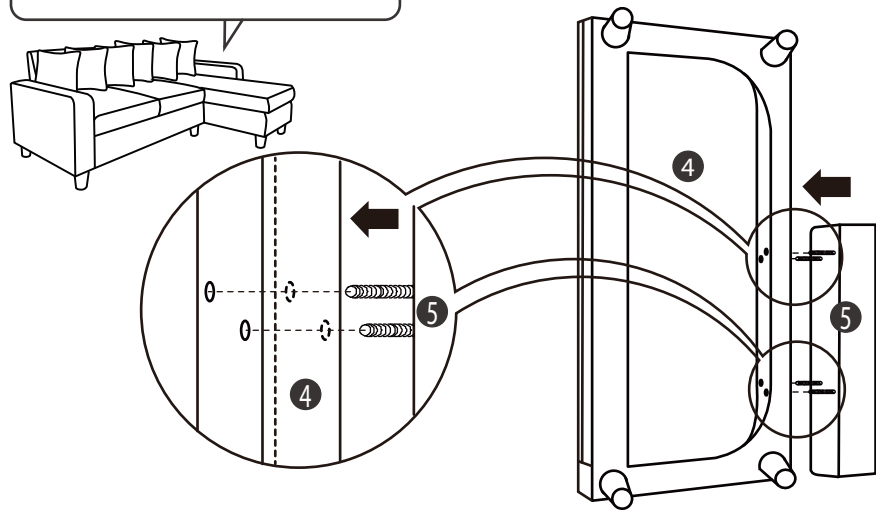
Step 3 Notice: the chaise can be assembled at left side or right side.

Assemble **6 & 4** for right side!






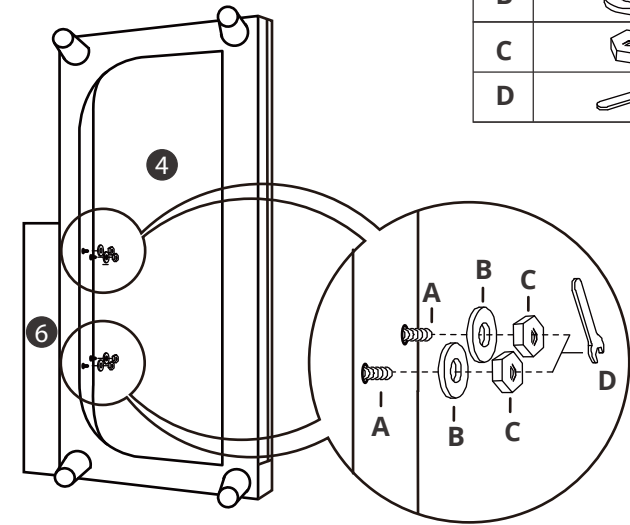
Or

Assemble **4 & 5** for left side!

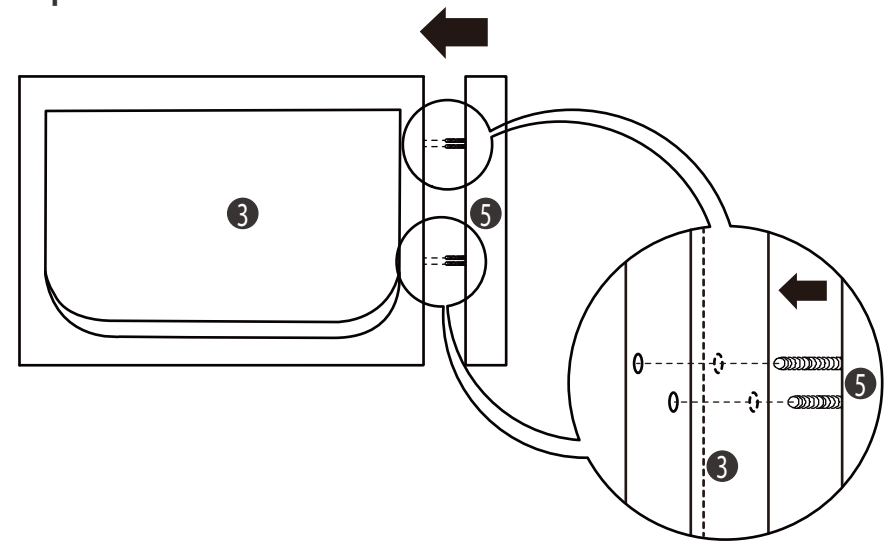


Step 4

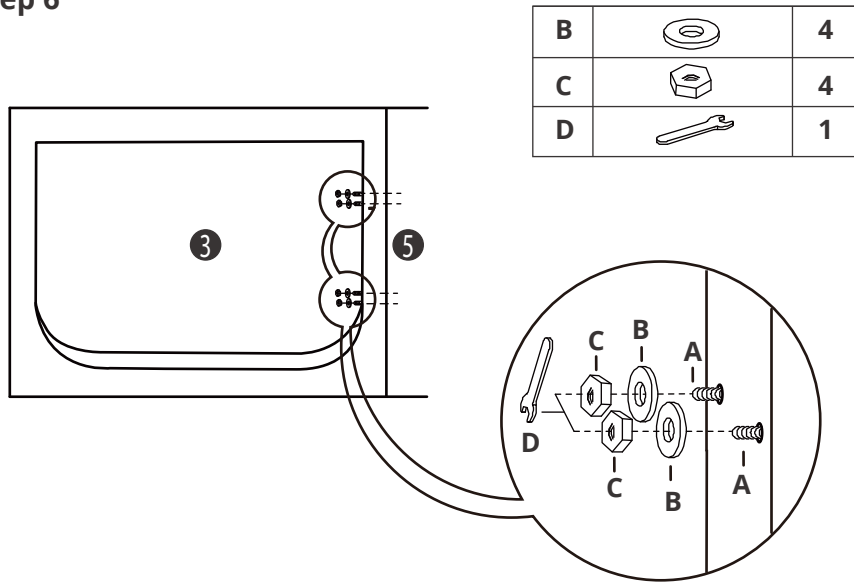
| | | |
|----------|---|----------|
| B |  | 4 |
| C |  | 4 |
| D |  | 1 |



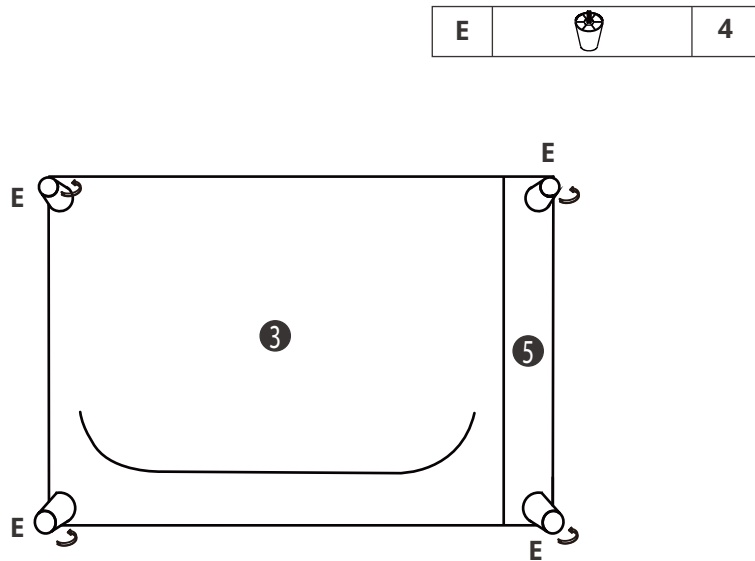
Step 5



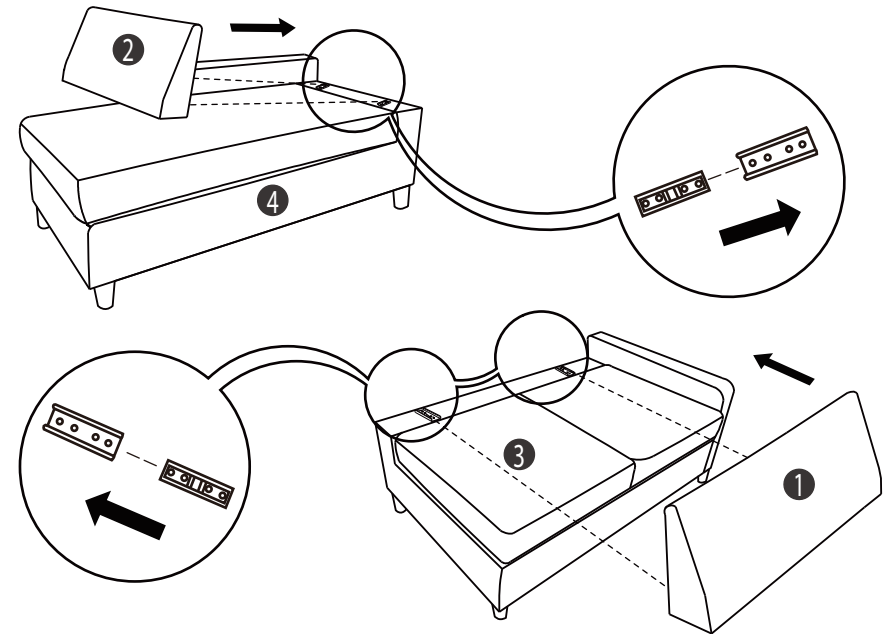
Step 6



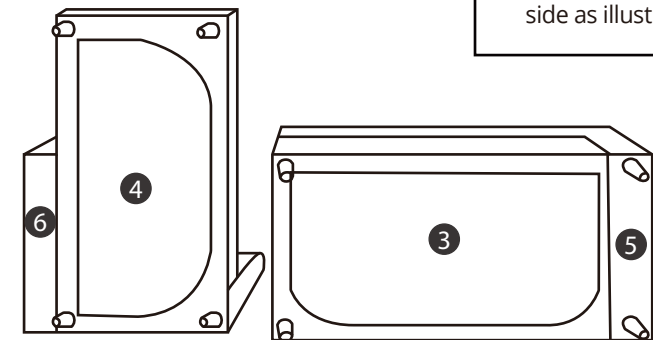
Step 7



Step 8

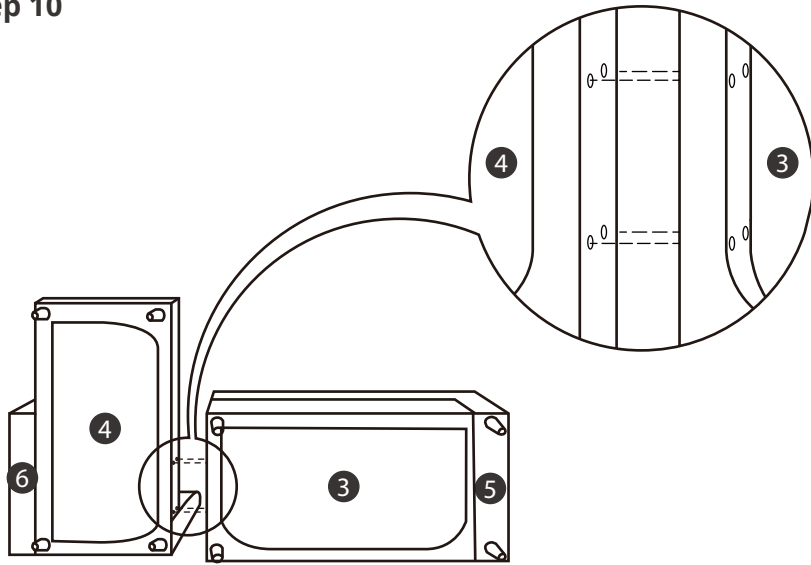


Step 9




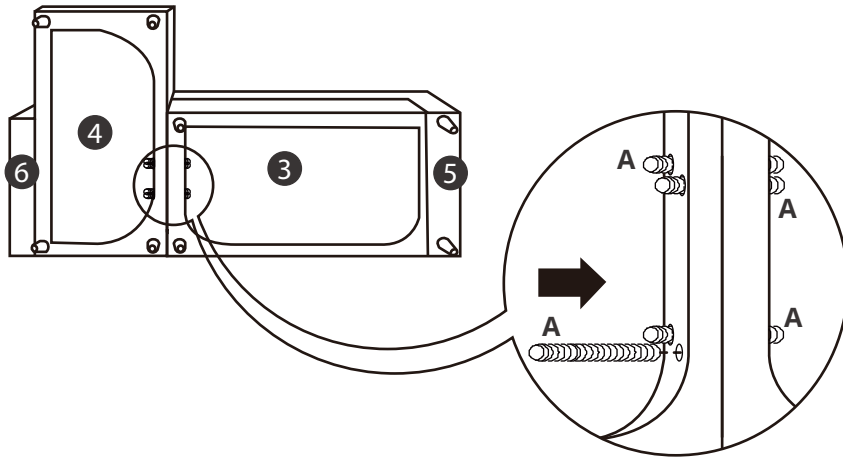
△ IMPORTANT:
Position the sofa seat and chaise seat on their side as illustrated.

Step 10






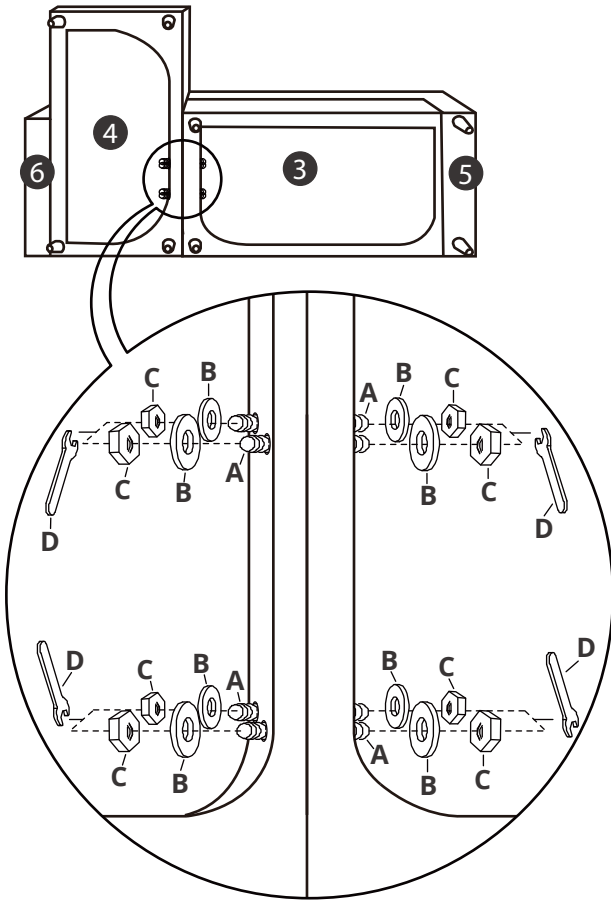
Step 11

| | | |
|---|---|---|
| A |  | 4 |
|---|---|---|

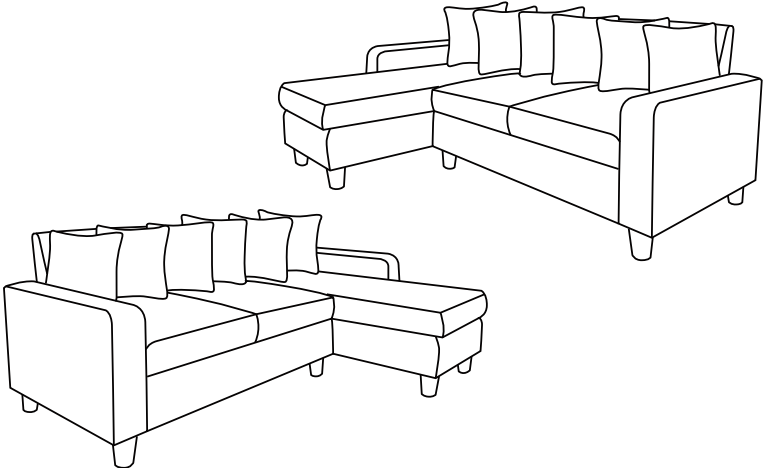
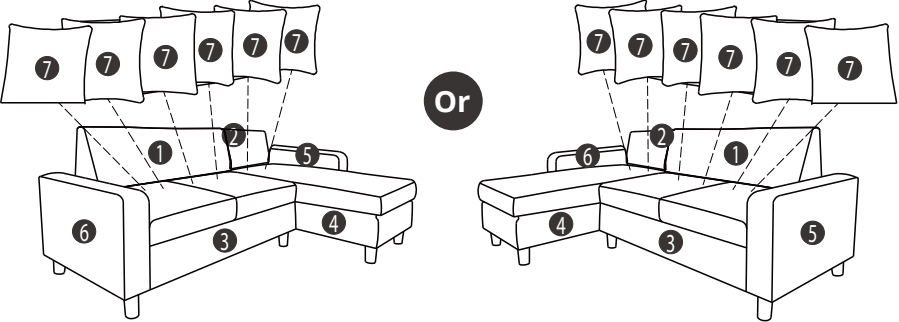


Step 12

| | | |
|---|---|---|
| B |  | 8 |
| C |  | 8 |
| D |  | 1 |



Step 13



Congratulations! Now you have finished assembling the product.