

# ASSEMBLY INSTRUCTIONS

DESCRIPTION : QUEEN HEADBOARD & FOOTBOARD,  
13 + 3 / QUEEN SIDE RAILS / QUEEN BED DRAWER






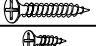
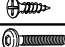

MODEL : FBQHFR-229A + FBQSRR-229A  
+ FBQDWR-229A

REVISION : A

### ASSEMBLY TIPS :

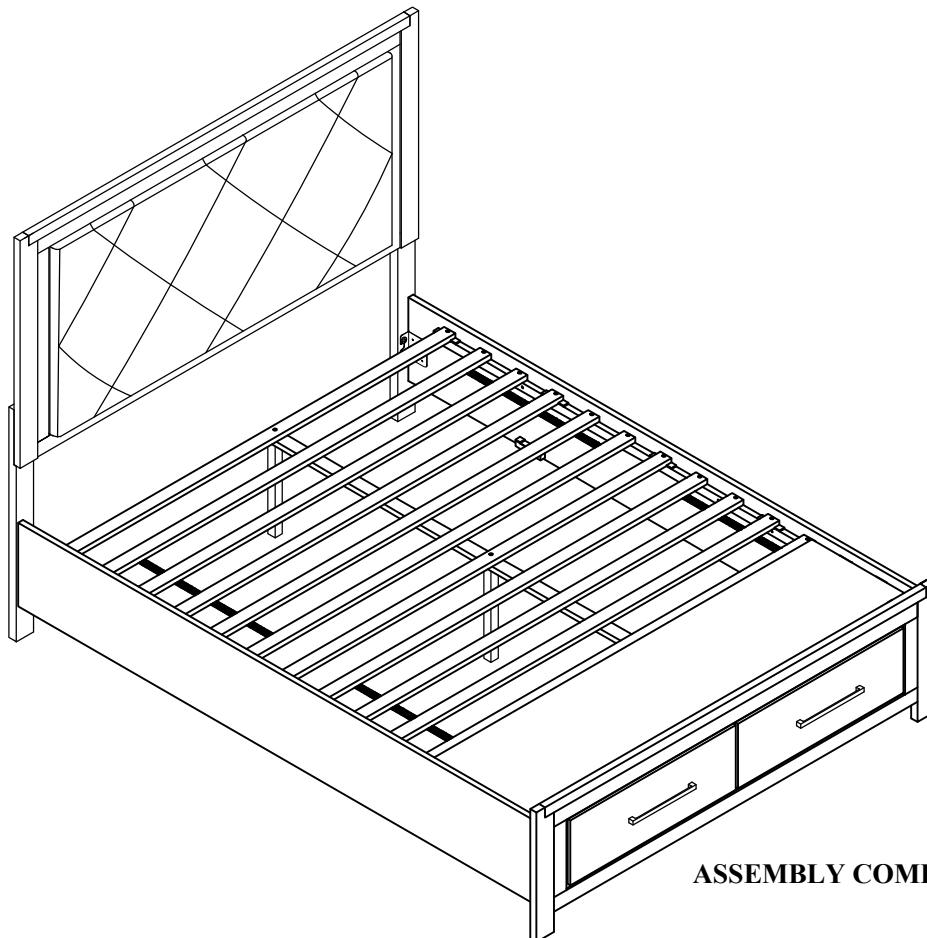
1. Remove hardware from box and sort by size.
2. Please check to see that all hardware and parts are present prior to start of assembly.
3. Please follow attached instructions in the same sequence as numbered to assure fast and easy assembly.

Component List		
No	Description	Qty
A	Headboard Panel	1
B	Footboard Panel	1
C	Headboard Leg (L&R)	2
D	Bed Slat 2 Holes (5pcs/Roll)	2 Rolls
E	Bed Slat 3 Holes	3
F	Drawer Slat	1
G	Drawer Slat Support	1
H	Slat Support Leg	3
I	Drawer Slat Support Stopper	1
J	Drawer Slat Cover	1

Hardware List			
No	Description		Qty
1	JCBC M6 x 30mm		6
2	Spring Washer Ø1/4 "		6
3	Flat Washer Ø1/4" x 13mm		6
4	L Key M4 x 65mm		1
5	L Key M5 x 65mm		1
6	CSK M4 x 32mm		30
7	CSK M4 x 16mm		6
8	JCBC M6 x 50mm		3

Component List		
No	Description	Qty
K	Side Rail	2
L	Centre Slat	1

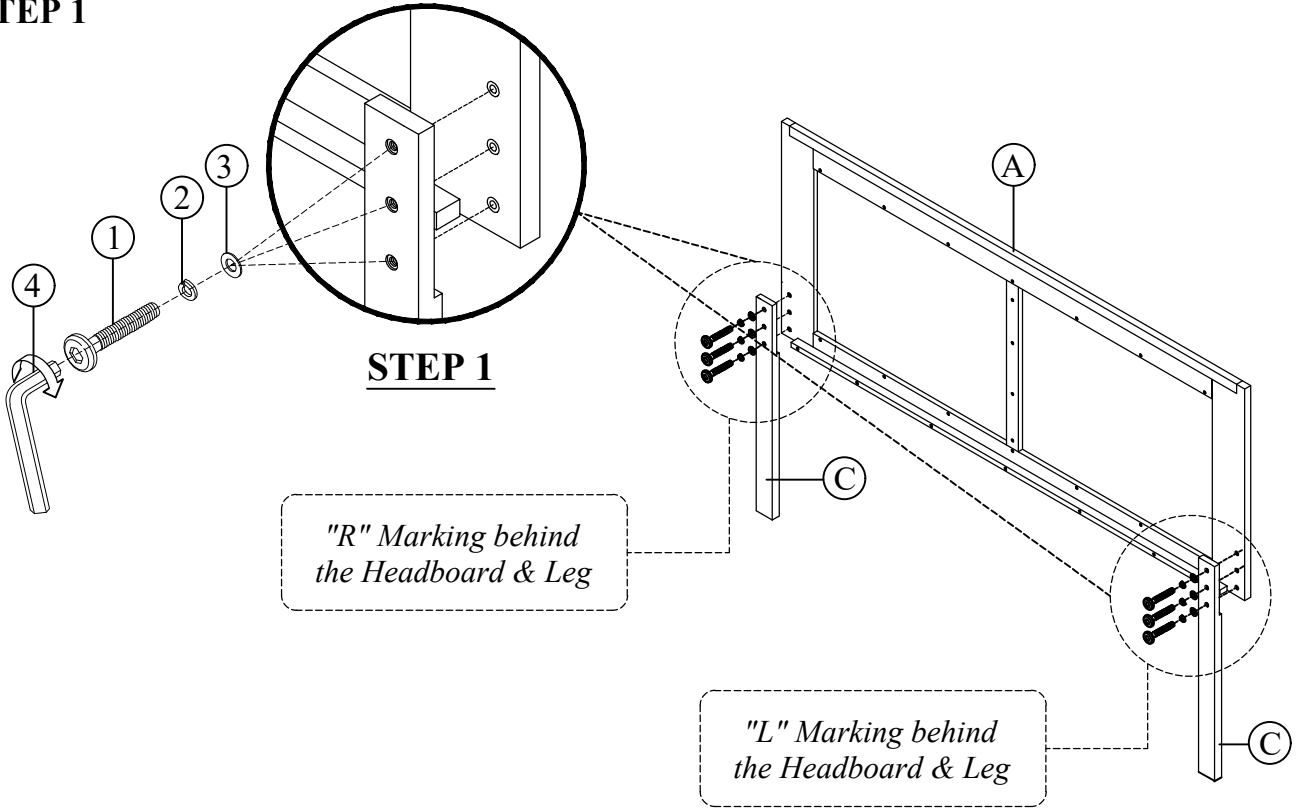
Component List		
No	Description	Qty
M	Drawer	2



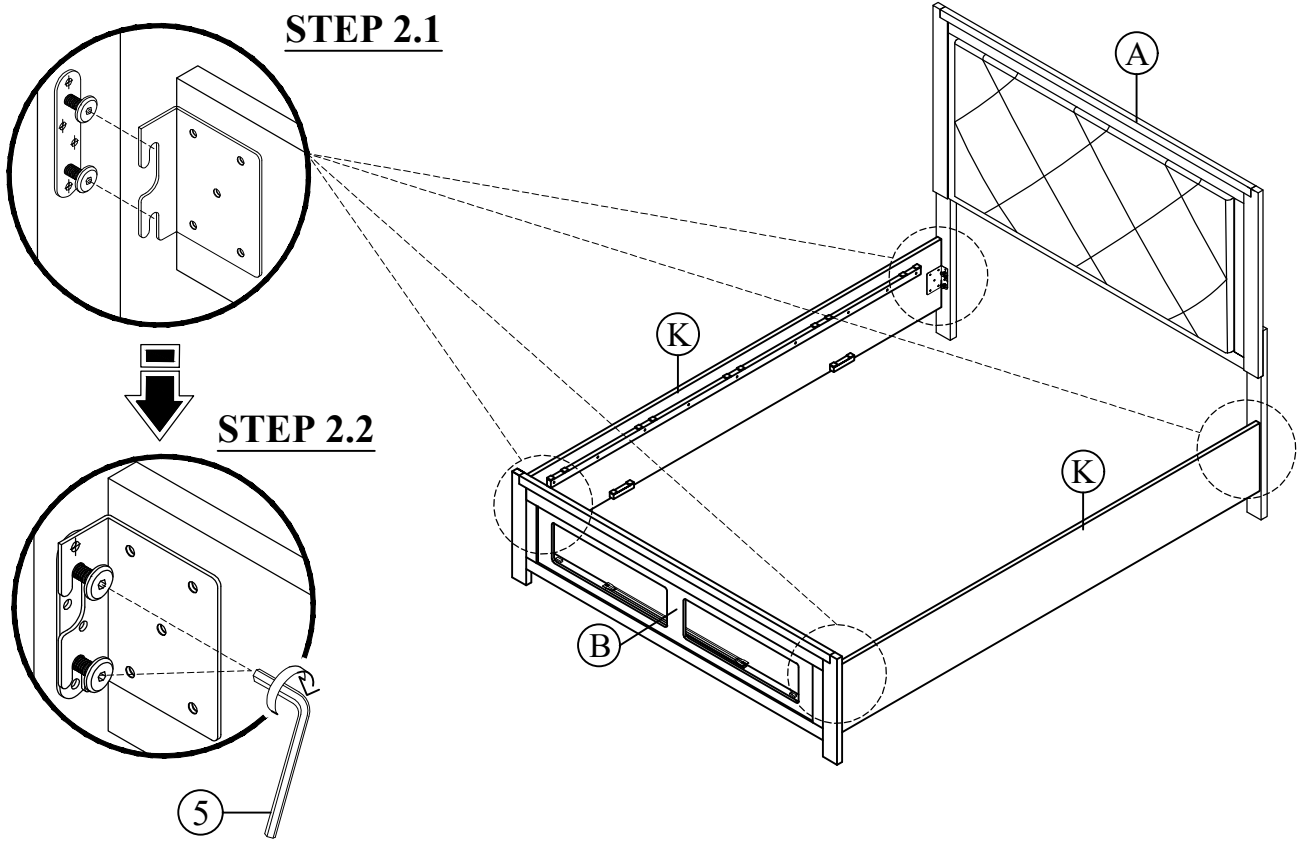
ASSEMBLY COMPLETED

# ASSEMBLY INSTRUCTIONS

## STEP 1



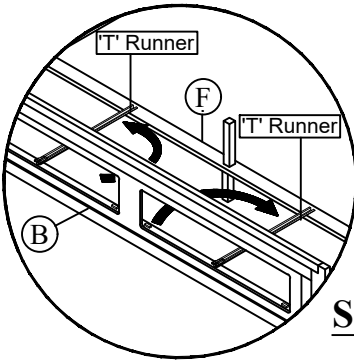
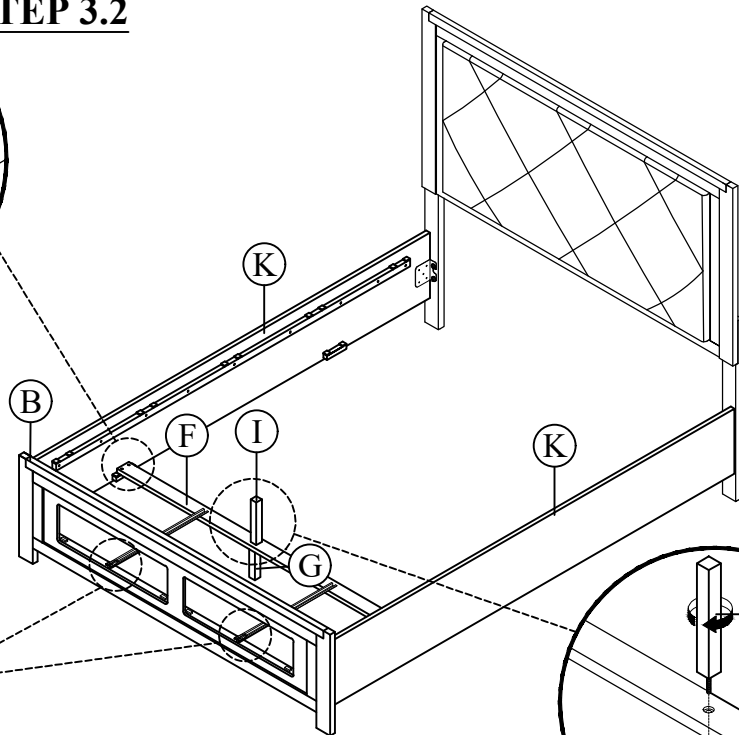
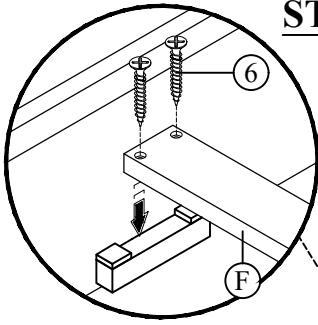
## STEP 2



# ASSEMBLY INSTRUCTIONS

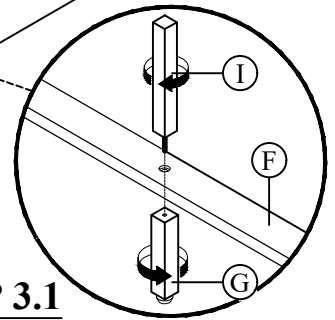
## STEP 3

### STEP 3.2



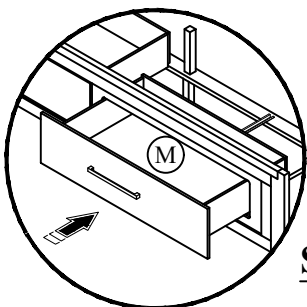
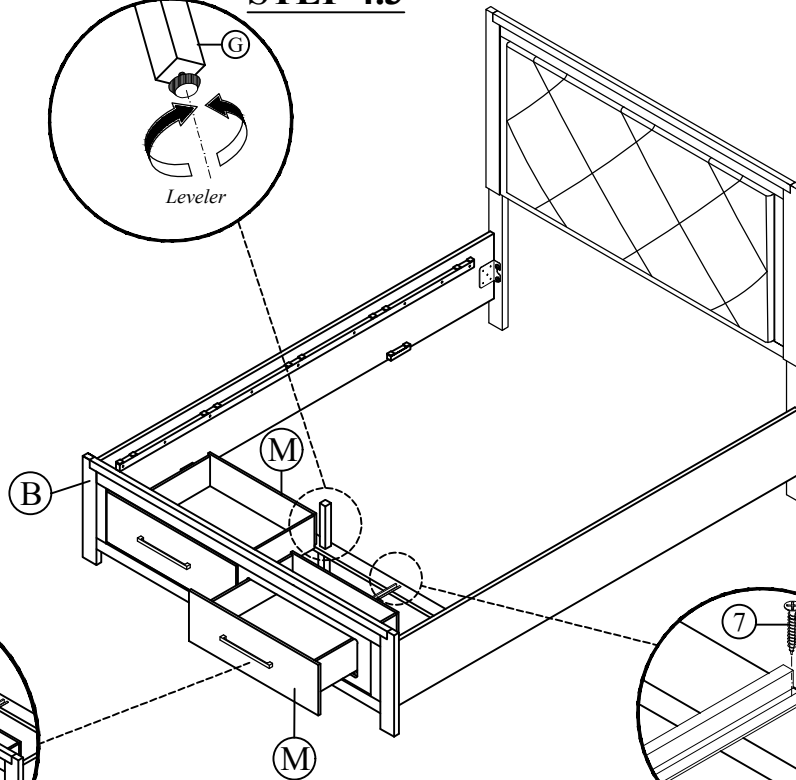
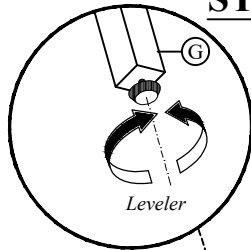
### STEP 3.3

### STEP 3.1



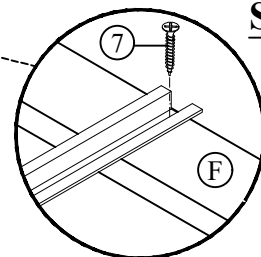
## STEP 4

### STEP 4.3



### STEP 4.1

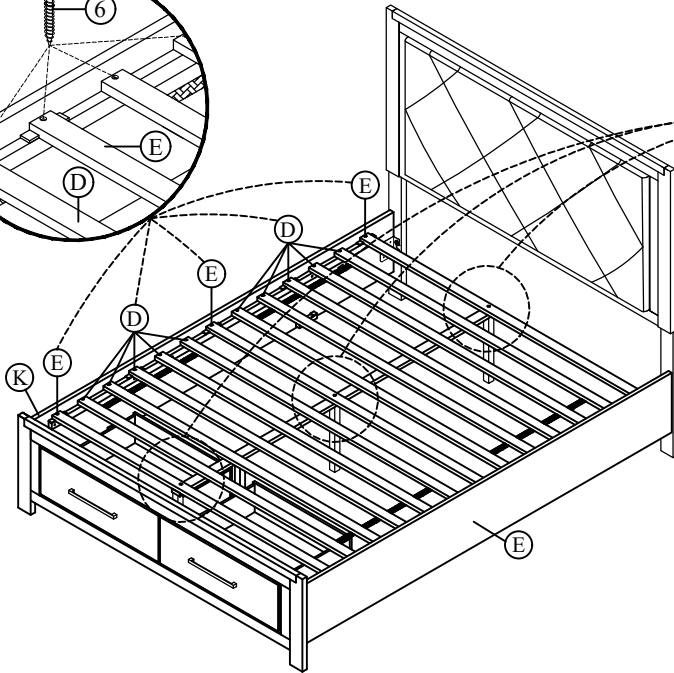
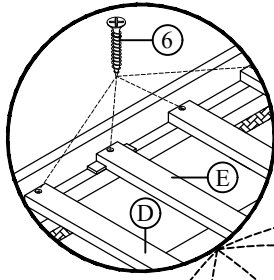
### STEP 4.2



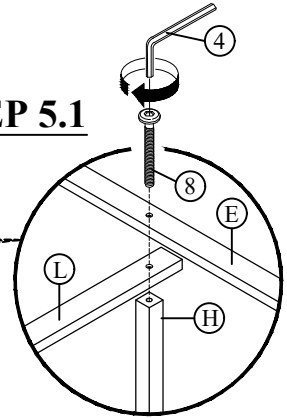
# ASSEMBLY INSTRUCTIONS

## STEP 5

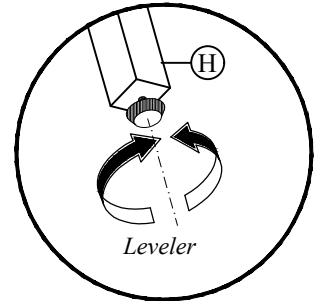
### STEP 5.3



### STEP 5.1



### STEP 5.2



## STEP 6

