

ASSEMBLY INSTRUCTION

ITEM : MADDY U SLEEPER SOFA

NO.	PART LIST	QTY
-----	-----------	-----

BOX 1 PART LIST

1	LOVE SEAT WITH PULL OUT BED	1PC
2	BACK FRAME	1PC
3	BACK CUSHION	2PCS
4	LEG	4PCS

BOX 2 PART LIST

5	RIGHT STORE CHAISE	1PC
6	BACK FRAME	1PC
7	CORNER SEAT BACK FRAME (LONG)	1PC
8	CORNER SEAT BACK FRAME (SHORT)	1PC
9	BACK CUSHION CHAISE	1PC
10	CORNER SEAT BACK CUSHION (SHORT)	1PC
11	CORNER SEAT BACK CUSHION (LONG)	1PC
12	LEG (LEFT)	2PCS
13	LEG (RIGHT)	1PC
14	LEG	2PCS

BOX 3 PART LIST

15	LOVE SEAT	1PC
16	BACK FRAME	1PC
17	BACK CUSHION	2PCS
18	LEG (LEFT)	1PC
19	LEG (RIGHT)	1PC
20	LEG	2PCS

BOX 4 PART LIST

21	SEAT	1PC
22	LEG	4PCS

ITEM HARDWARE QTY

BOX 1 HARDWARE

A	CSK SCREW M4 x 45mm	4PCS
B	CSK SCREW M3.5 x 20mm	16PCS
C	WHEEL	4PCS
D	SCREW DRIVER 65MM	1PC

BOX 2 HARDWARE

E	CSK SCREW M4 x 45mm	14PCS
F	SCREW DRIVER 65MM	1PC

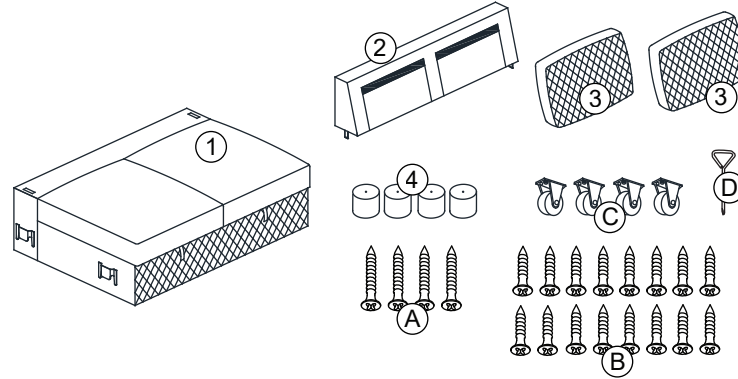
BOX 3 HARDWARE

G	CSK SCREW M4 x 45mm	10PCS
H	SCREW DRIVER 65MM	1PC

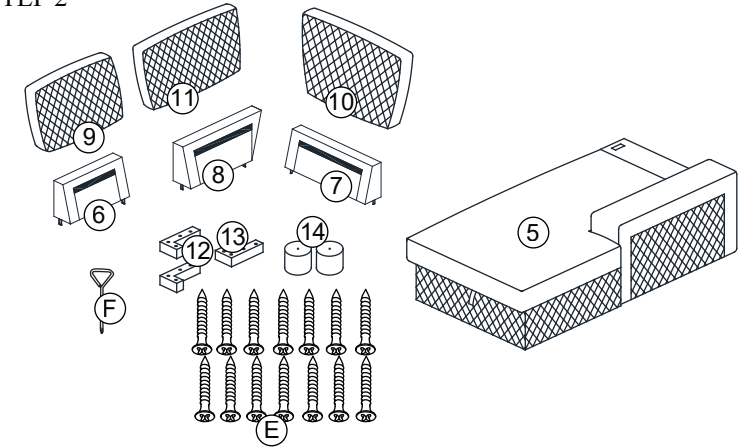
BOX 4 HARDWARE

I	CSK SCREW M4 x 45mm	4PCS
J	SCREW DRIVER 65MM	1PC

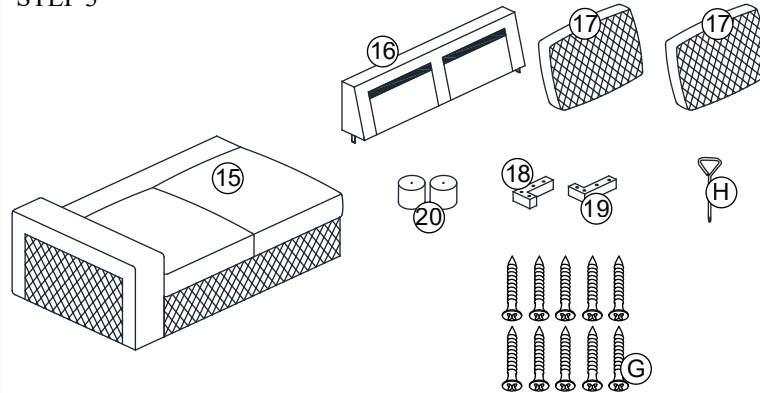
STEP 1



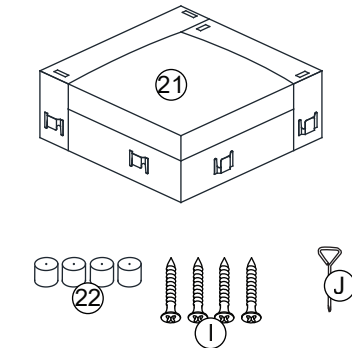
STEP 2



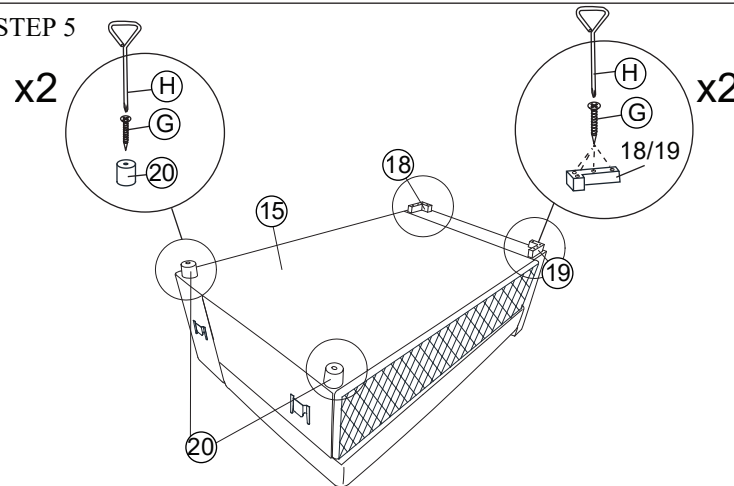
STEP 3



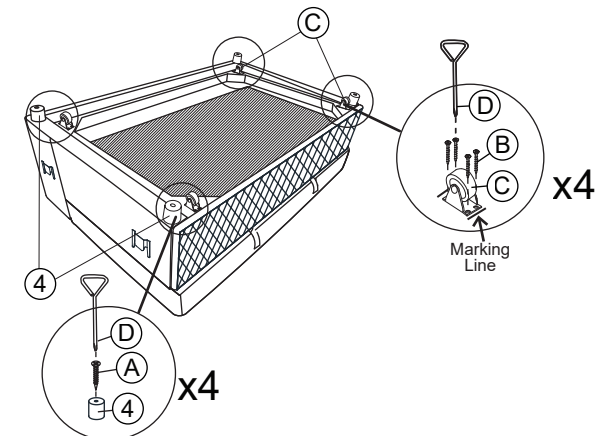
STEP 4



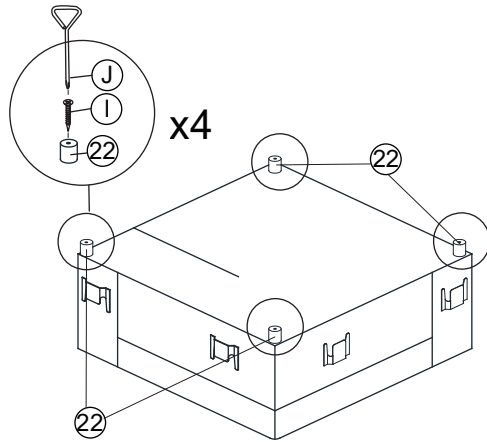
STEP 5



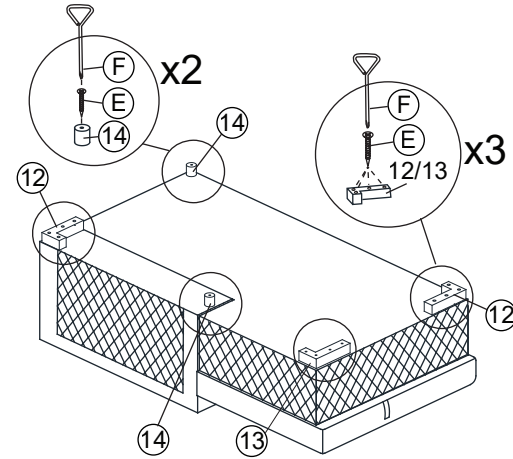
STEP 6



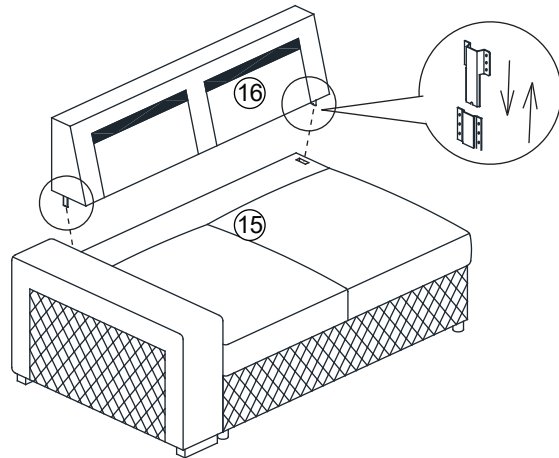
STEP 7



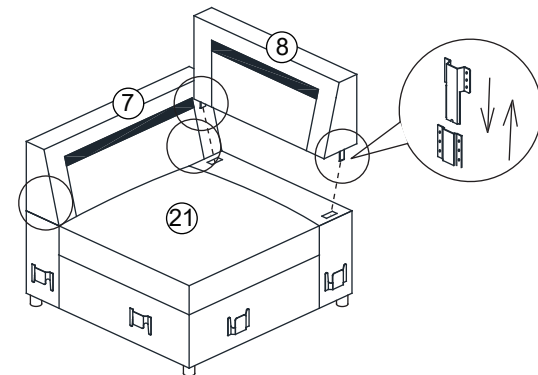
STEP 8



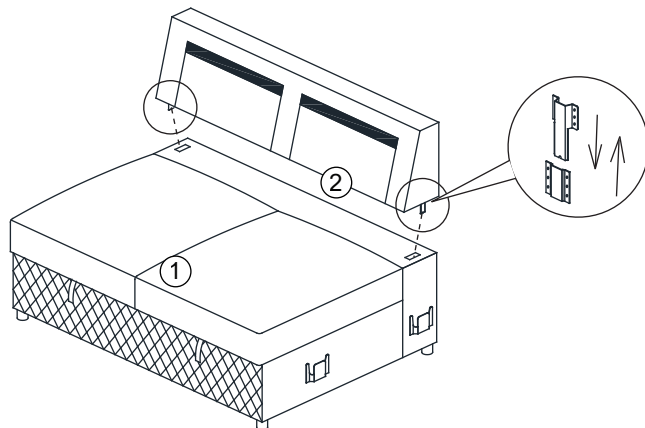
STEP 9



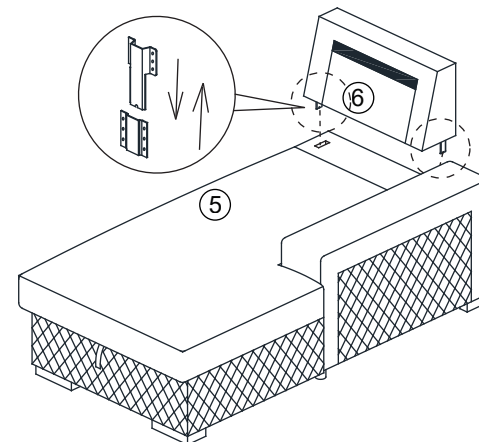
STEP 10



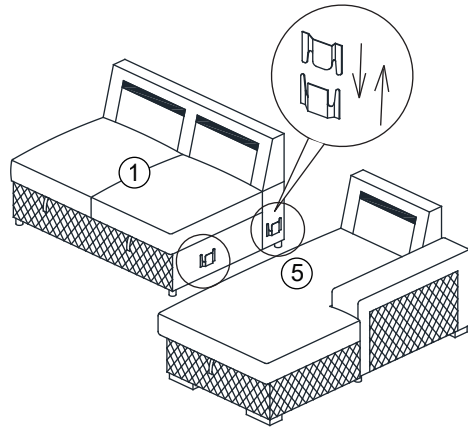
STEP 11



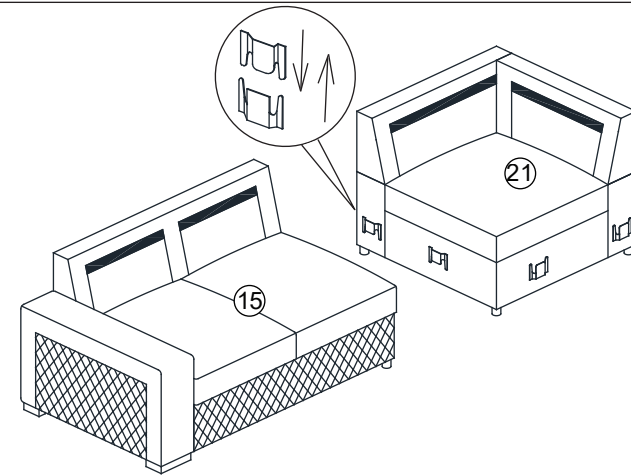
STEP 12



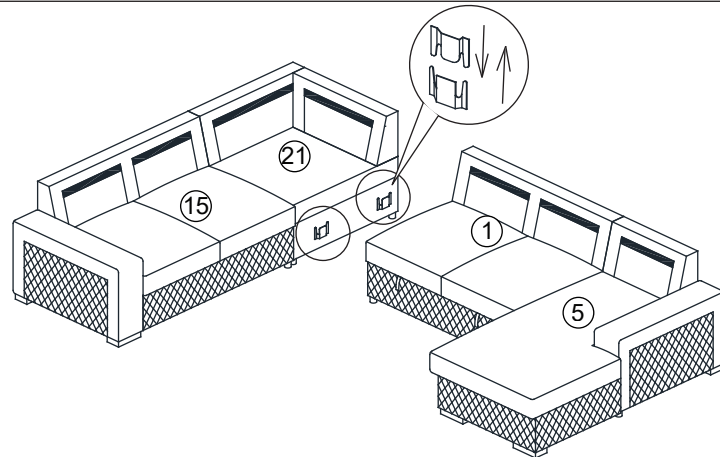
STEP 13



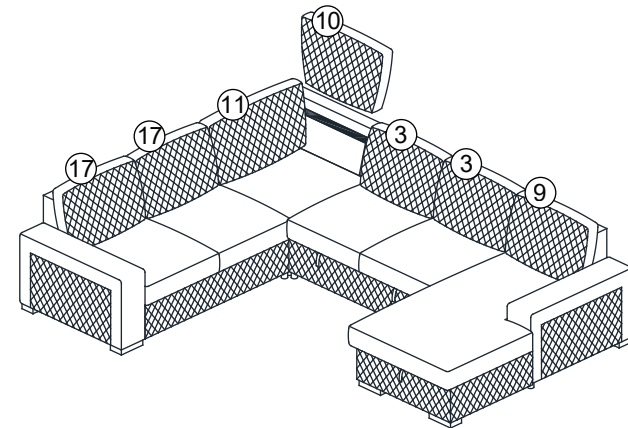
STEP 14



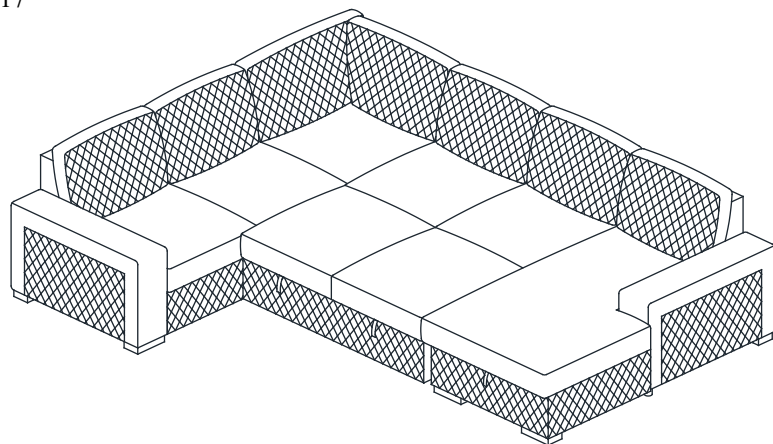
STEP 15



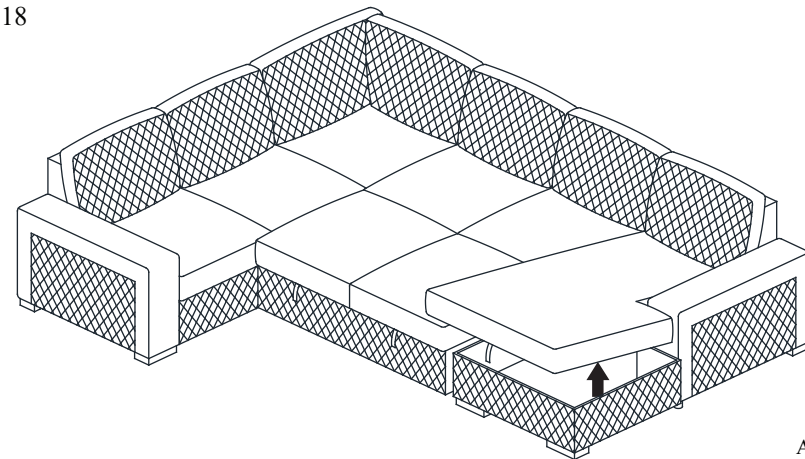
STEP 16



STEP 17



STEP 18



ASSEMBLY
COMPLETE