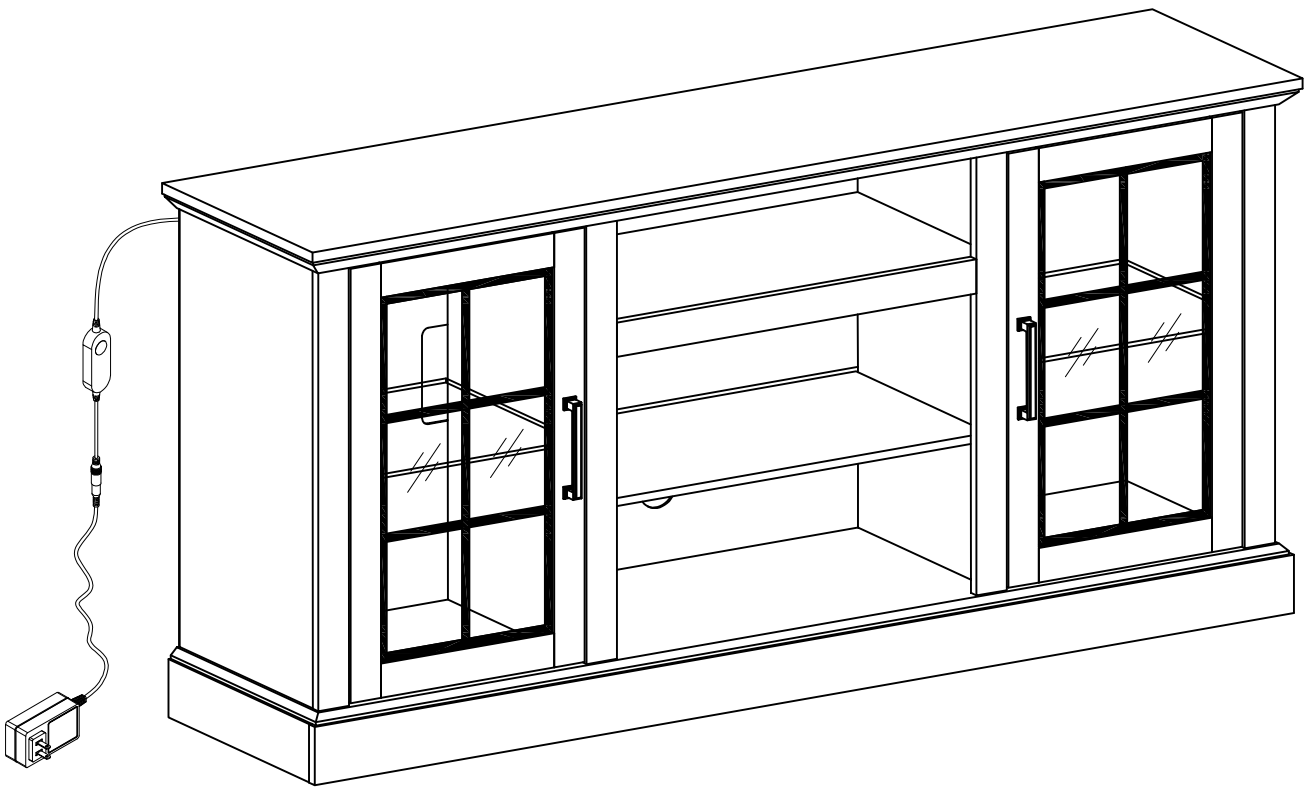
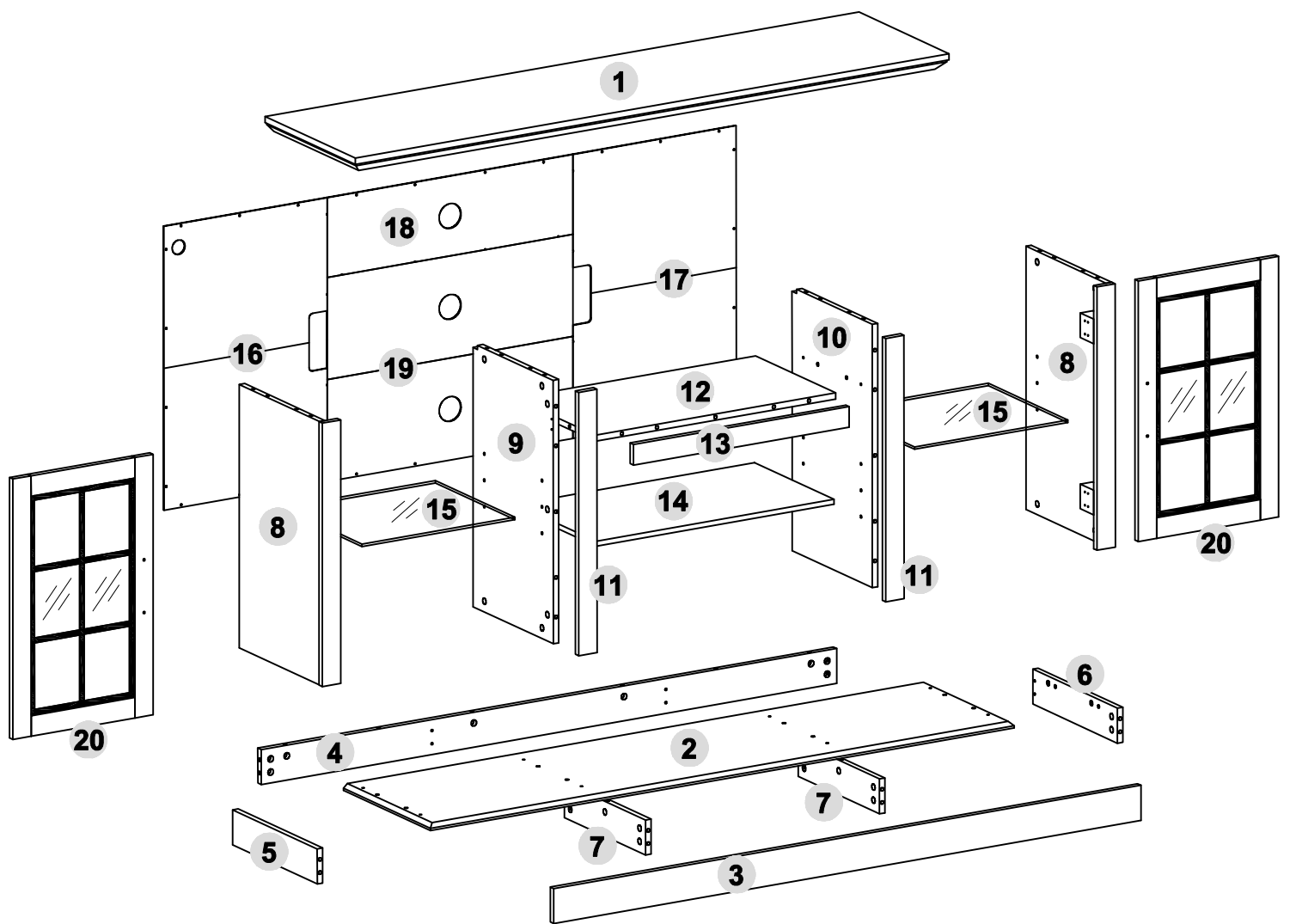


# ASSEMBLY INSTRUCTIONS



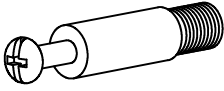

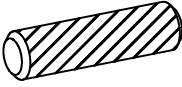
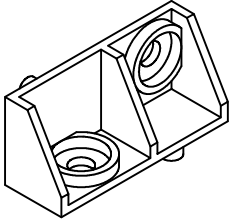
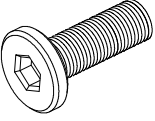
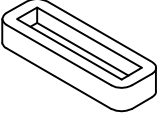
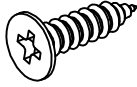
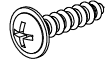
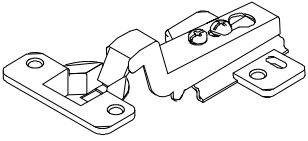

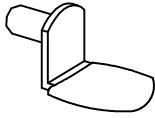
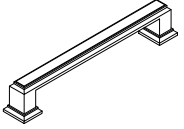
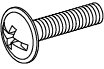
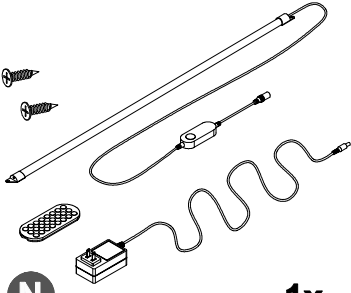
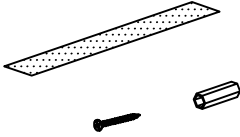
# PACKAGE INCLUDE



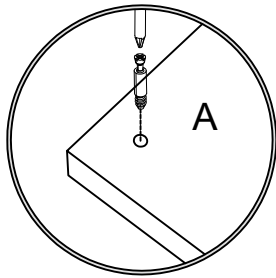
# PART IDENTIFICATION

<b>CODE</b>	<b>DESCRIPTION</b>	<b>QTY</b>
<b>1</b>	<b>Top panel</b>	<b>1</b>
<b>2</b>	<b>Bottom panel</b>	<b>1</b>
<b>3</b>	<b>Base front leg</b>	<b>1</b>
<b>4</b>	<b>Base hind leg</b>	<b>1</b>
<b>5</b>	<b>Base left leg</b>	<b>1</b>
<b>6</b>	<b>Base right leg</b>	<b>1</b>
<b>7</b>	<b>Base support</b>	<b>2</b>
<b>8</b>	<b>Side panel</b>	<b>2</b>
<b>9</b>	<b>Left partition panel</b>	<b>1</b>
<b>10</b>	<b>Right partition panel</b>	<b>1</b>
<b>11</b>	<b>Partition baffle plate</b>	<b>2</b>
<b>12</b>	<b>Middle shelf</b>	<b>1</b>
<b>13</b>	<b>Middle shelf molding</b>	<b>1</b>
<b>14</b>	<b>Large adjustable shelf</b>	<b>1</b>
<b>15</b>	<b>Small adjustable shelf</b>	<b>2</b>
<b>16</b>	<b>Left side back panel</b>	<b>1</b>
<b>17</b>	<b>Right side back panel</b>	<b>1</b>
<b>18</b>	<b>Upper middle back panel</b>	<b>1</b>
<b>19</b>	<b>Lower middle back panel</b>	<b>1</b>
<b>20</b>	<b>Door</b>	<b>2</b>

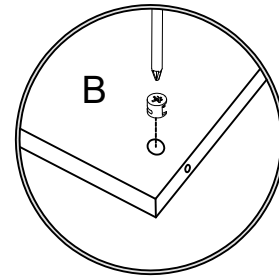
# PACKAGE CONTENT

 <p><b>A</b>      <b>51x+1</b></p>	<p><b>Ø15x11MM</b></p>  <p><b>B</b>      <b>51x+1</b></p>	<p><b>Ø8x30MM</b></p>  <p><b>C</b>      <b>28x+1</b></p>	 <p><b>D</b>      <b>8x</b></p>
<p><b>M6x12MM</b></p>  <p><b>E</b>      <b>16x</b></p>	 <p><b>F</b>      <b>2x</b></p>	<p><b>Ø3.5x14MM</b></p>  <p><b>G</b>      <b>28x+1</b></p>	<p><b>Ø3x14MM</b></p>  <p><b>H</b>      <b>40x+1</b></p>
<p><b>Ø35MM</b></p>  <p><b>I</b>      <b>4x</b></p>	 <p><b>J</b>      <b>1x</b></p>	 <p><b>K</b>      <b>12x</b></p>	<p><b>128MM</b></p>  <p><b>L</b>      <b>2x</b></p>
<p><b>M4x18MM</b></p>  <p><b>M</b>      <b>4x</b></p>	 <p><b>N</b>      <b>1x</b></p>	 <p><b>O</b>      <b>2x</b></p>	

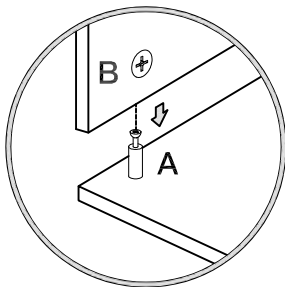
# How to use the cam lock system



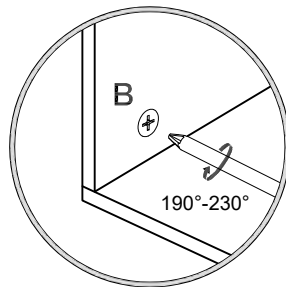
1. Screw cam bolt into panel



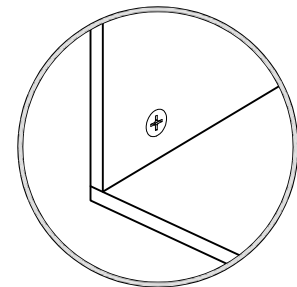
2. Push cam into panel - arrow feature on cam top points to panel edge



3. Align cam bolt(s) with cam(s) and insert all the way into cross-bored hole(s)

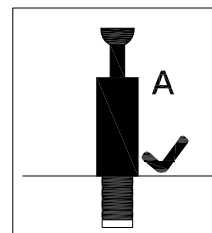
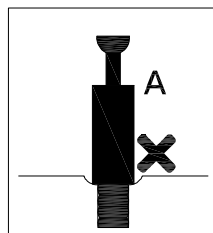
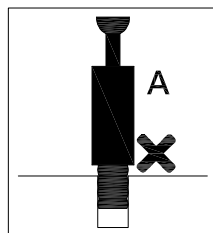
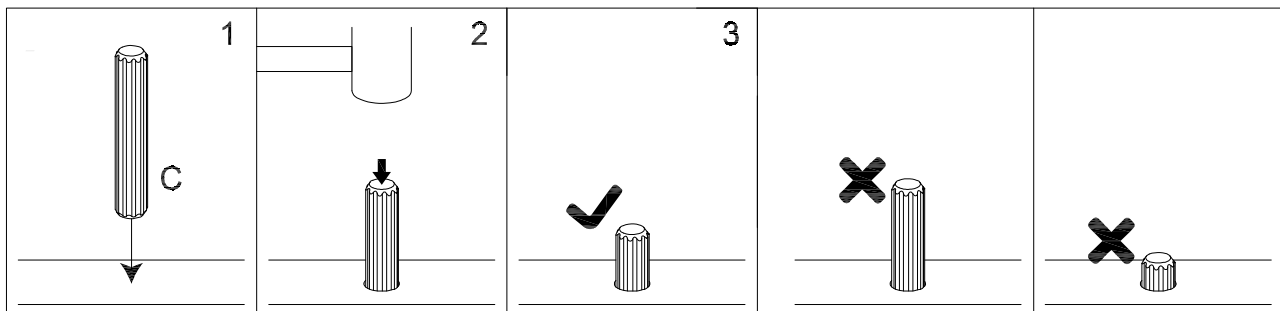


4. Rotate cam(s) clockwise 190°-230° to lock panels together



5. Panels should be tight against each other and connection should be rigid

Insert the wood dowel [C] at least half way by tapping lightly with a rubber mallet, IF NECESSARY.



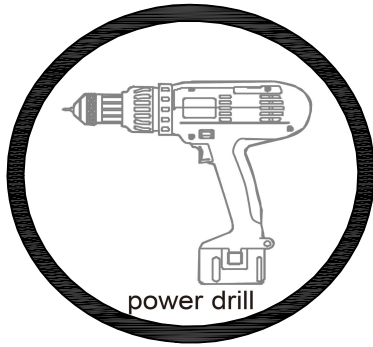
## ⚠ WARNING

- Unit must be placed on a level surface or leveled with included hardware (when applicable).
- Do not sit or stand on or allow children to climb, sit or stand on the assembled product.
- For safety reasons, it is imperative that this unit be mounted to the wall by using the tip restraint.
- Do not use without installing the tip restraint.
- Unit can tip over causing severe injury or death.
- Do not exceed the recommended weight limits.
- Evenly distribute the weight on each level and always keep the heavier loads on the bottom.
- Before cutting, drilling or hammering into any wall or floor surface, verify the location of electrical, plumbing and gas lines. Cutting may cause serious injury.

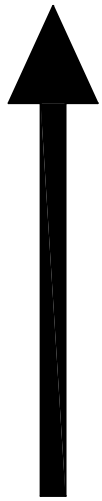
## Ready to assemble the TV Stand

**It is divided into three parts in total:**

1. Install the base part - Base
2. Install the middle part - Body
3. Install the top part - Top plate



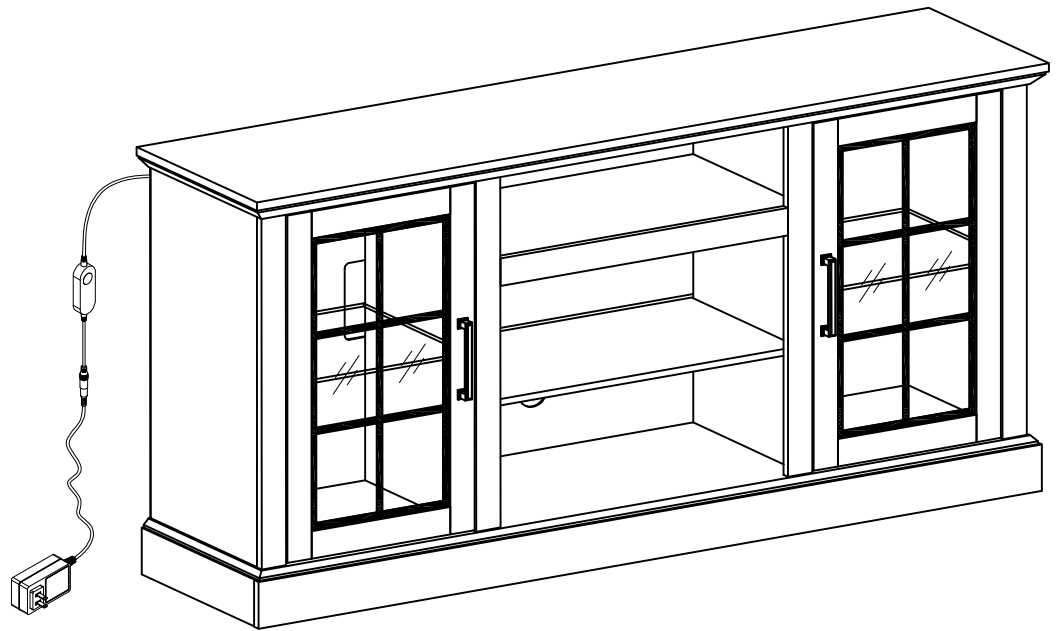
We recommend using a power drill to assemble.



3

2

1




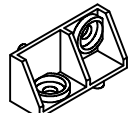
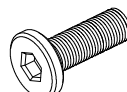

### **Warm Tips:**

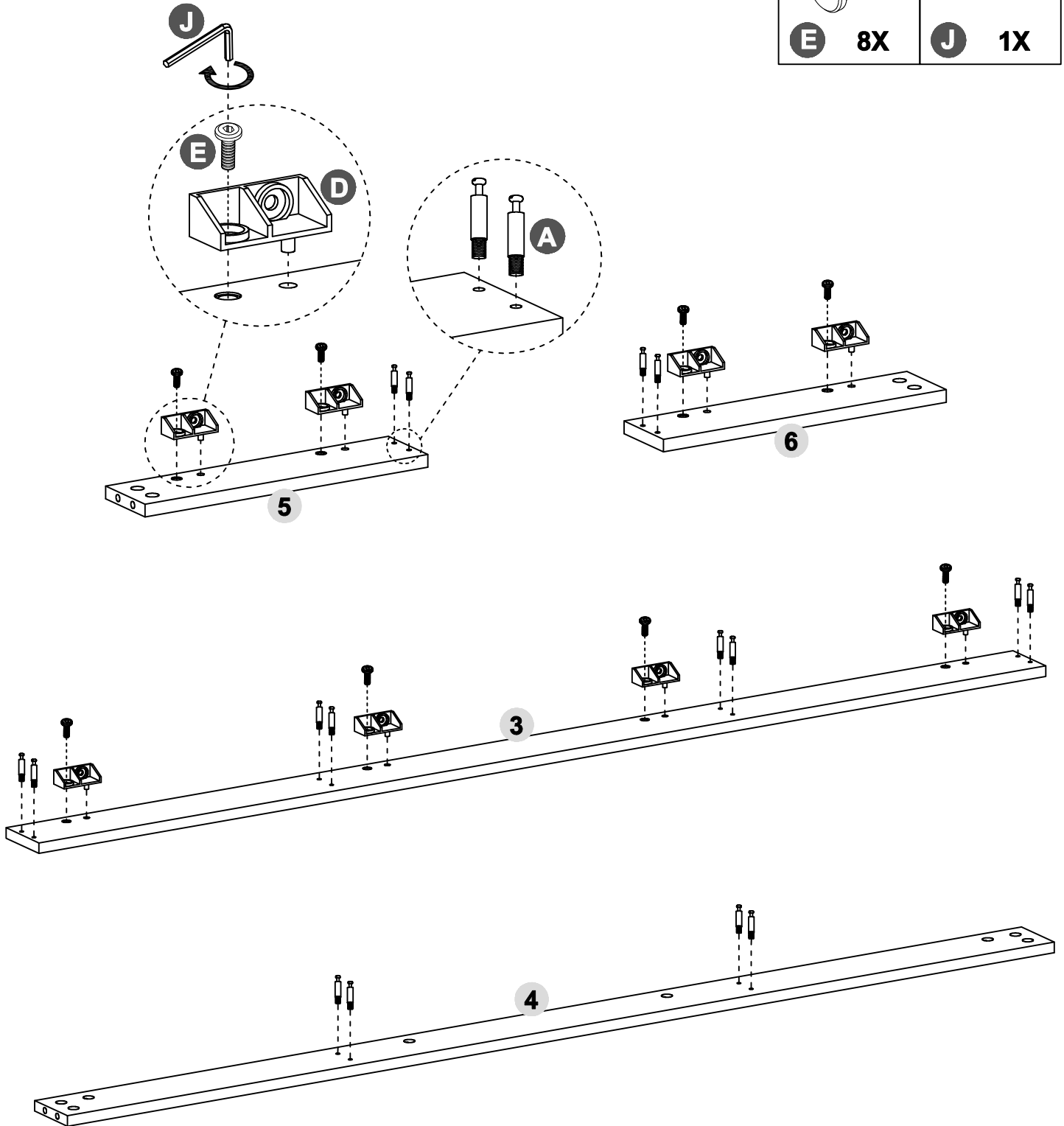
Start the installation from the base to the top.

# STEP 1

- Screw (A) to (3) (4) (5) (6) as below shown

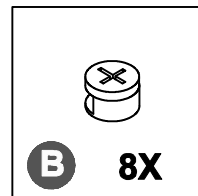
- Screw (E) to lock (D) to the (3)&(5)&(6) as below shown

 <b>A</b> 16X	 <b>D</b> 8X
 <b>E</b> 8X	 <b>J</b> 1X

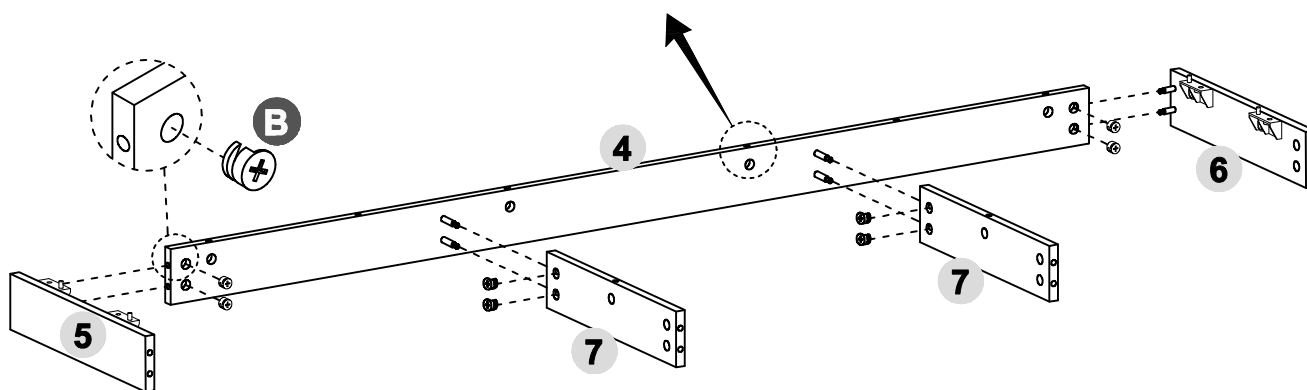


## STEP 2

- Screw (B) to (4)&(5) (6) (7) as below shown



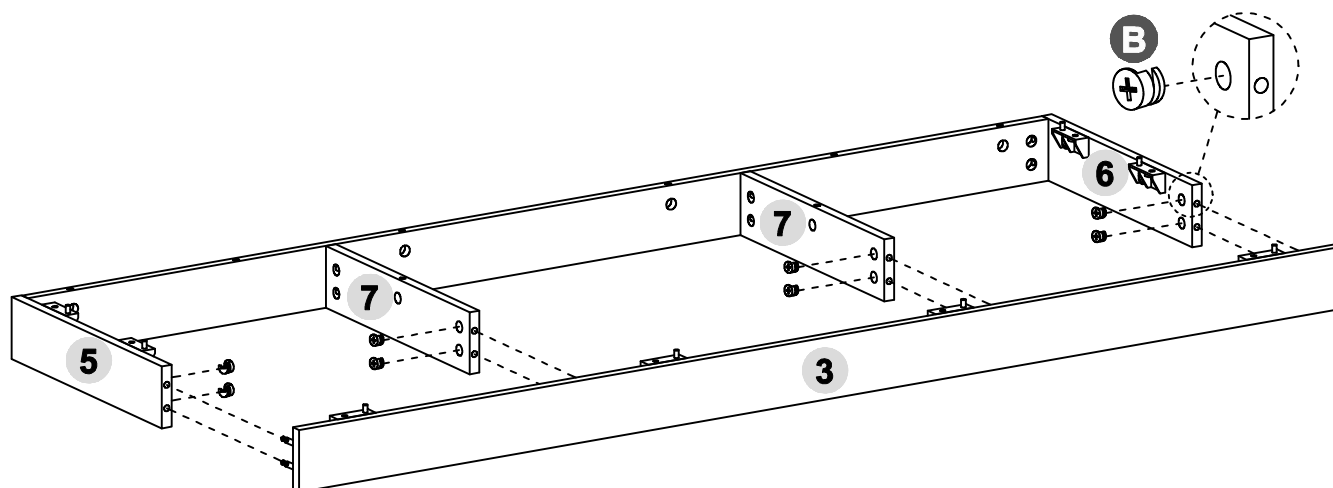
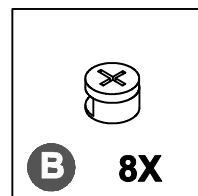
**Tips: The end with pre-drilled hole is up.**





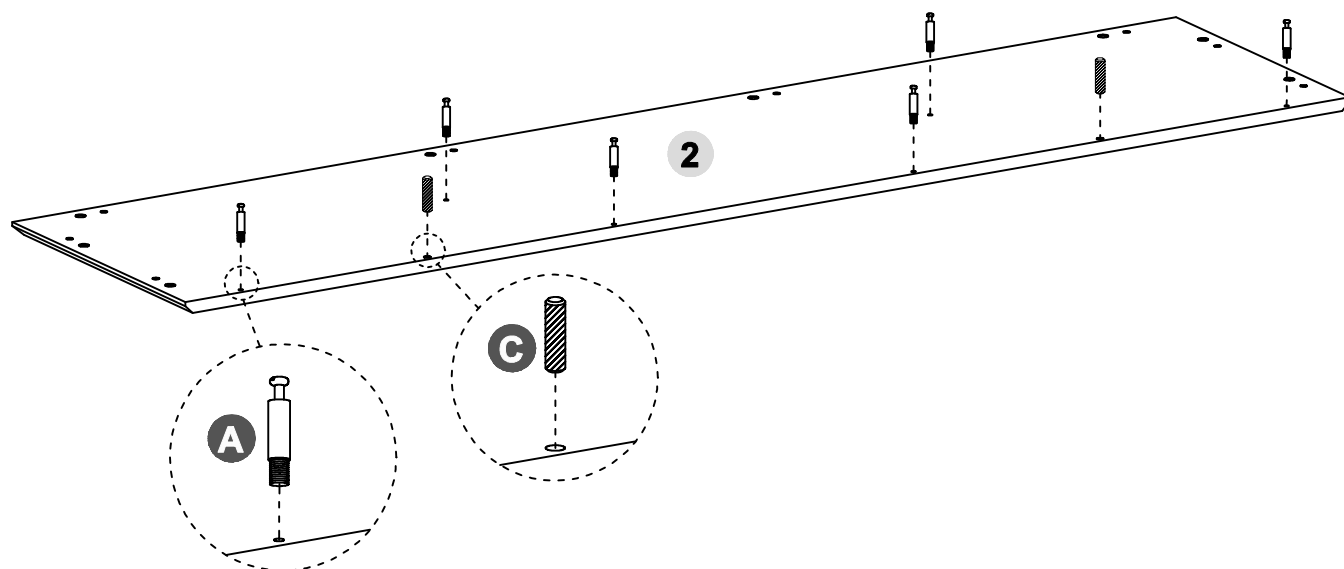
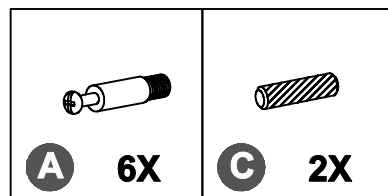
# STEP 3

- Screw (B) to (3)&(5) (6) (7) as below shown



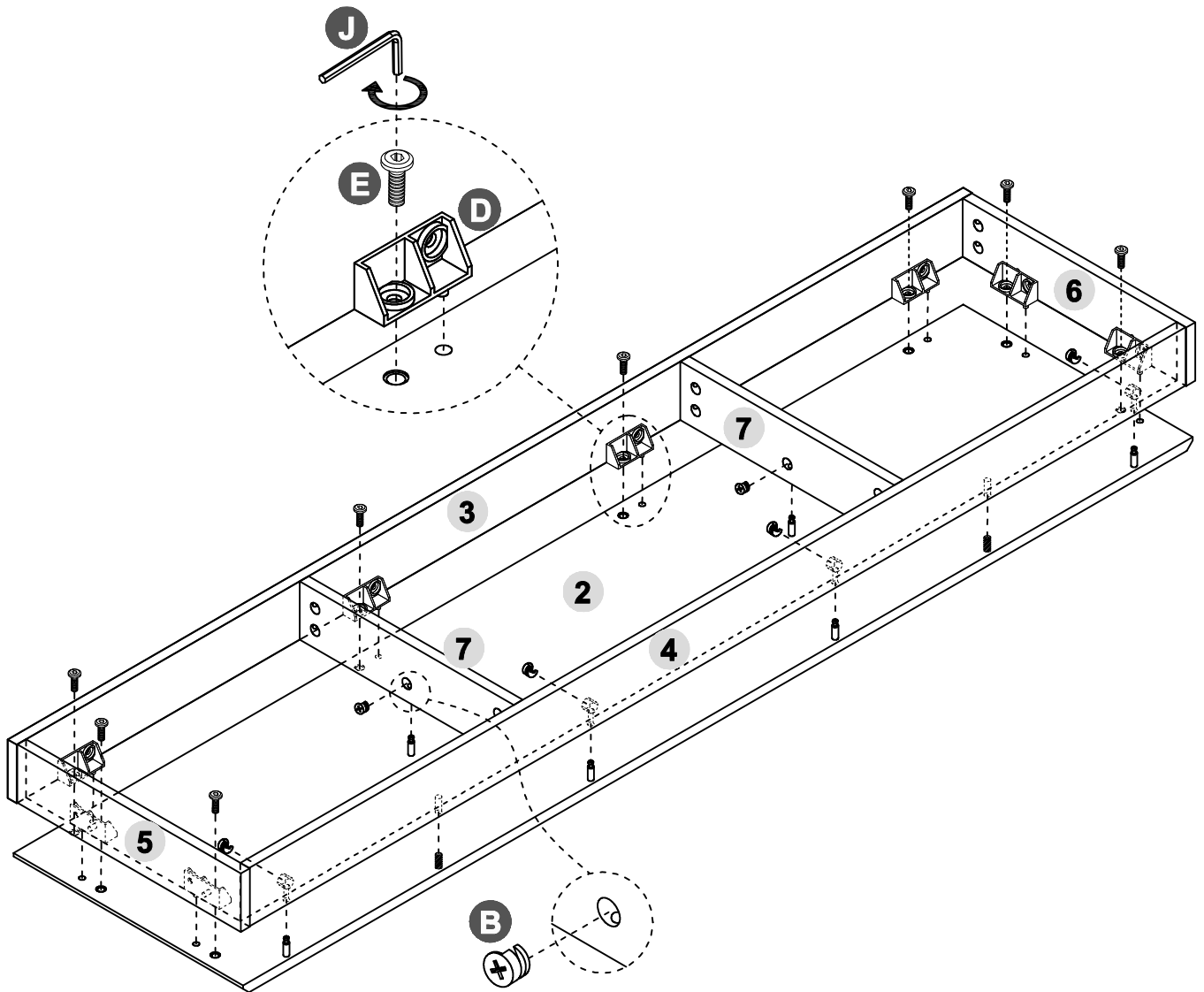
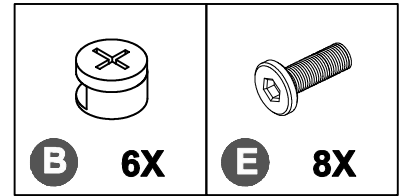
# STEP 4

- Screw (A)&(C) to (2) as below shown



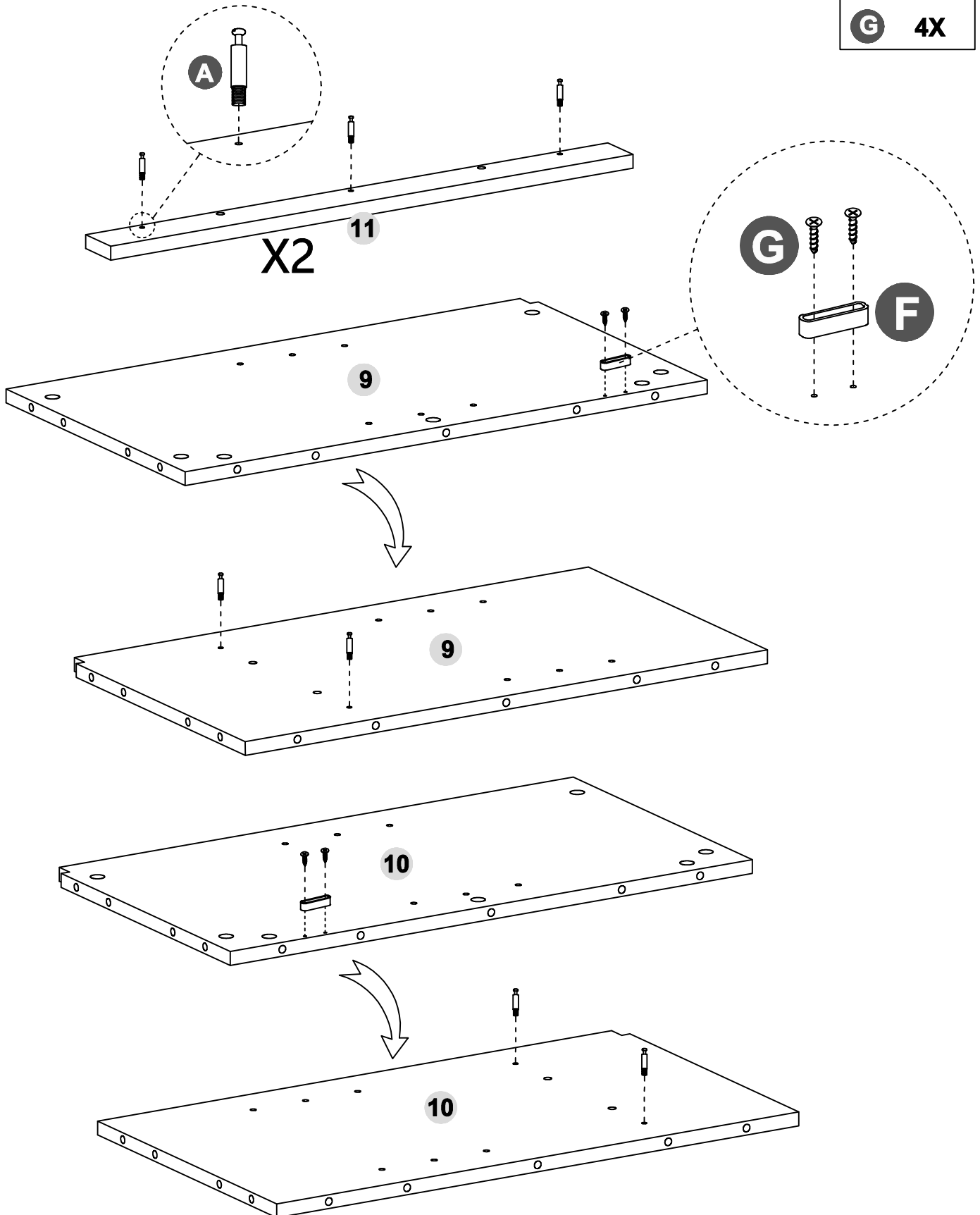
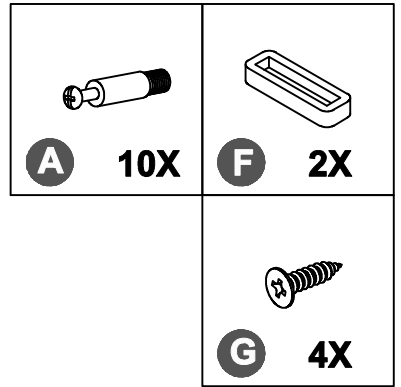
## STEP 5

- Attach (2) to (3) (4) (5) (6) (7) as below shown
- Screw (B) to (2)&(4) (7) as below shown
- Screw (E) to lock (D) to the (2) as below shown



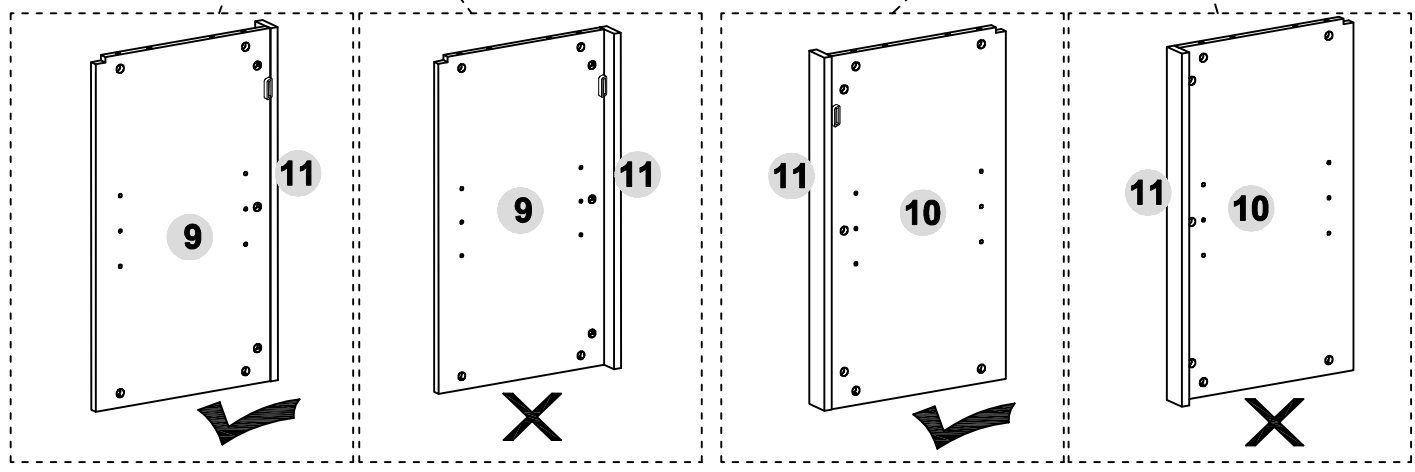
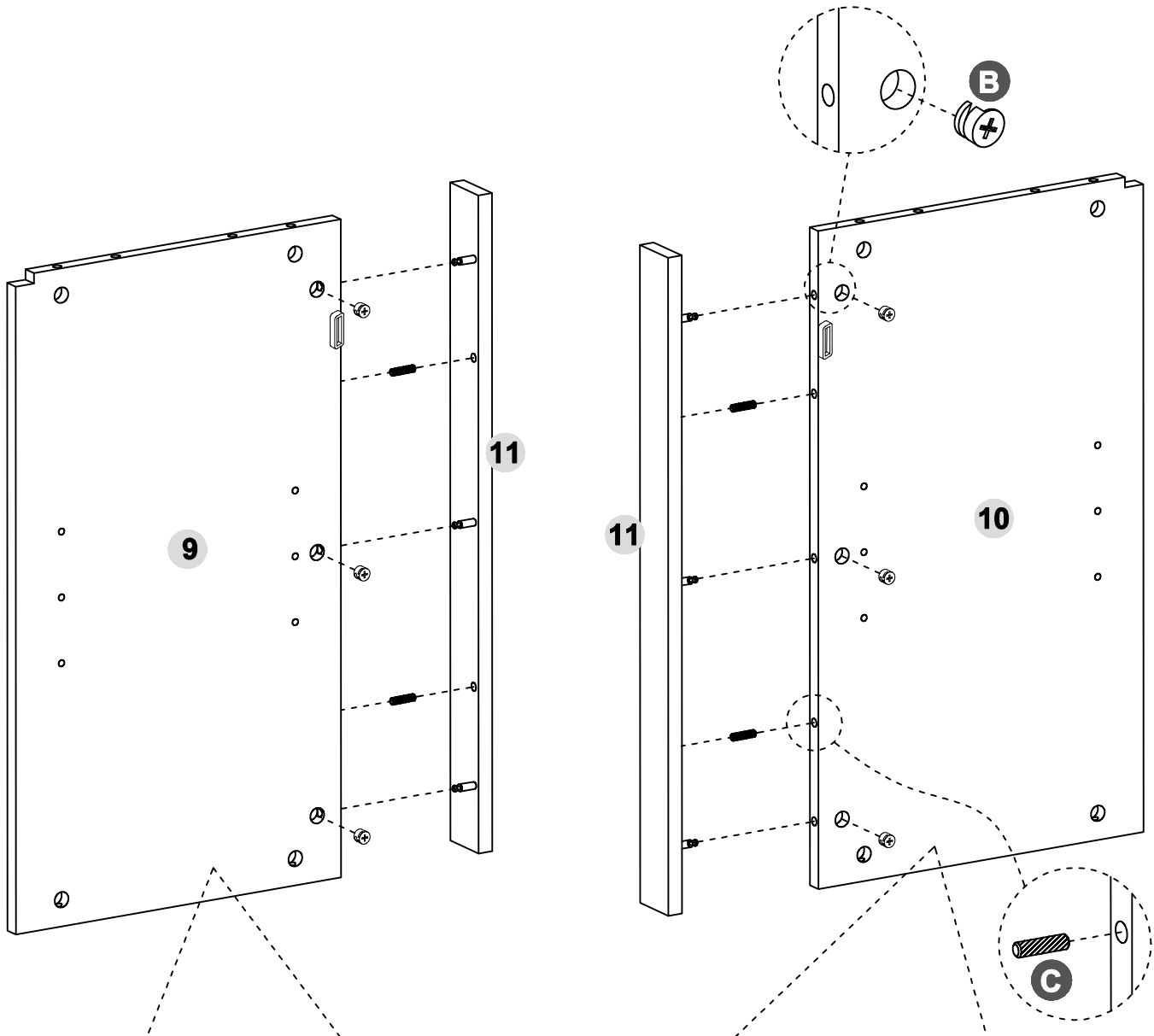
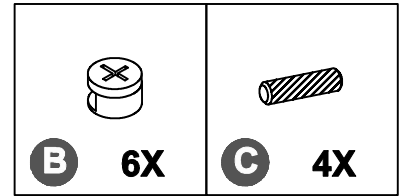
# STEP 6

- Screw (A) to (9) (10) (11) as below shown
- Screw (G) to lock (F) to the (9)&(10) as below shown



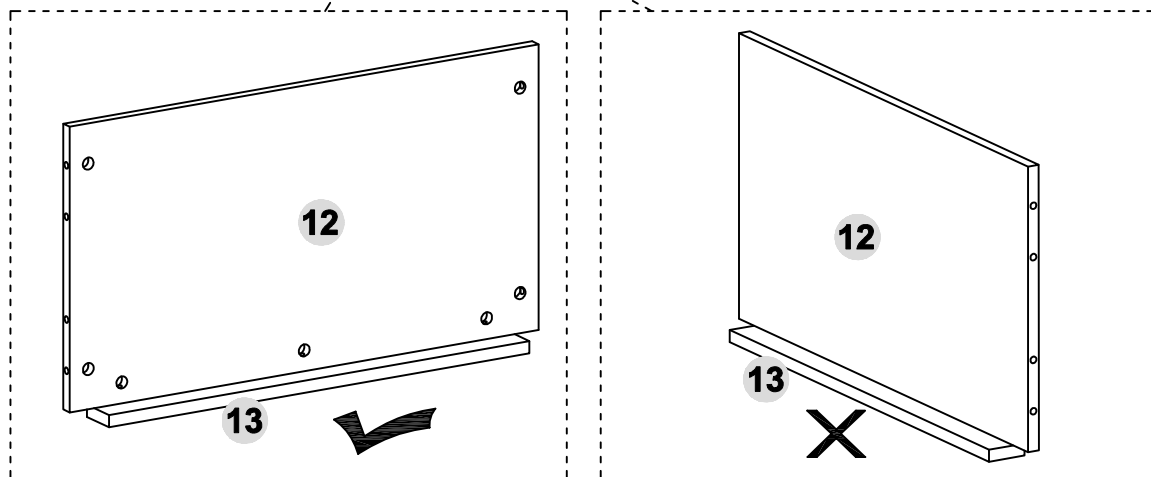
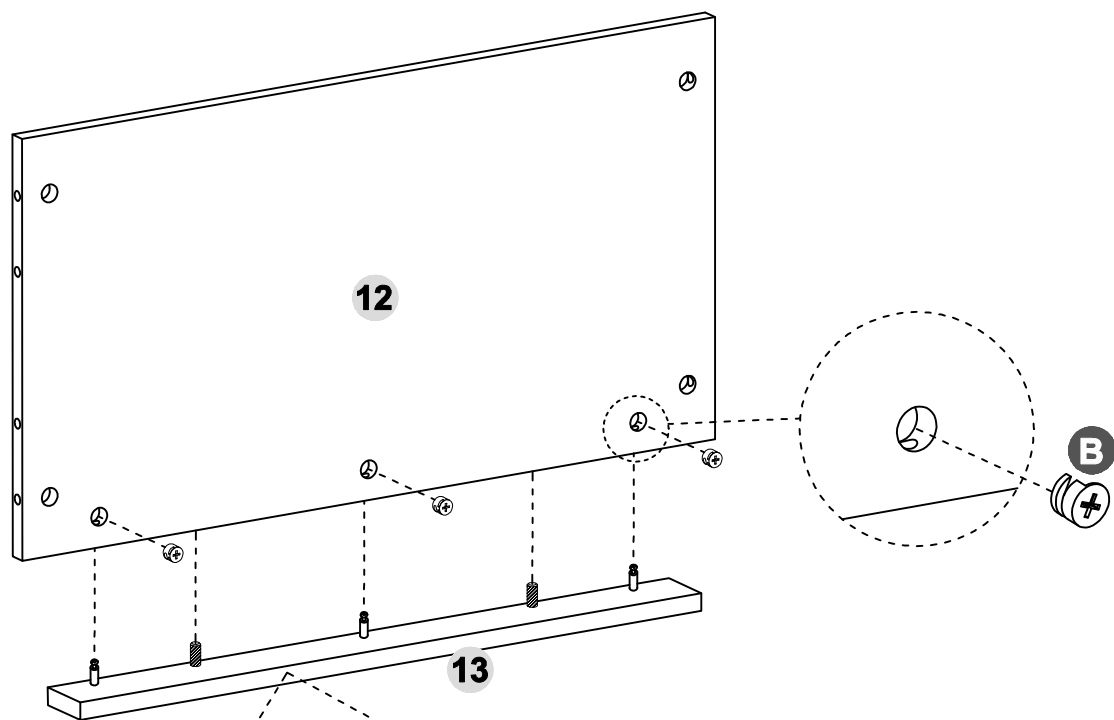
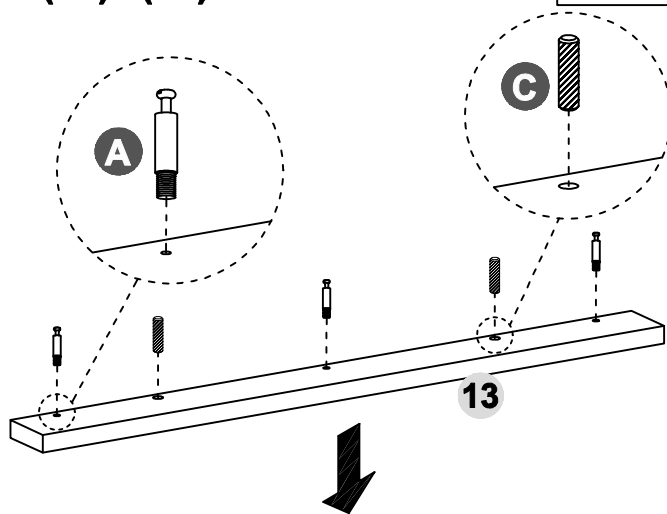
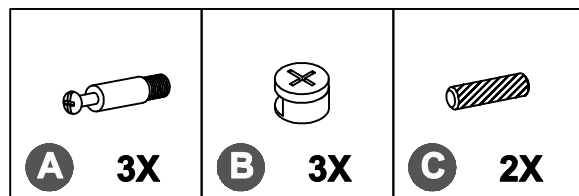
# STEP 7

- Screw (C) to (9)&(10) as below shown
- Screw (B) to (11)&(9) (10) as below shown



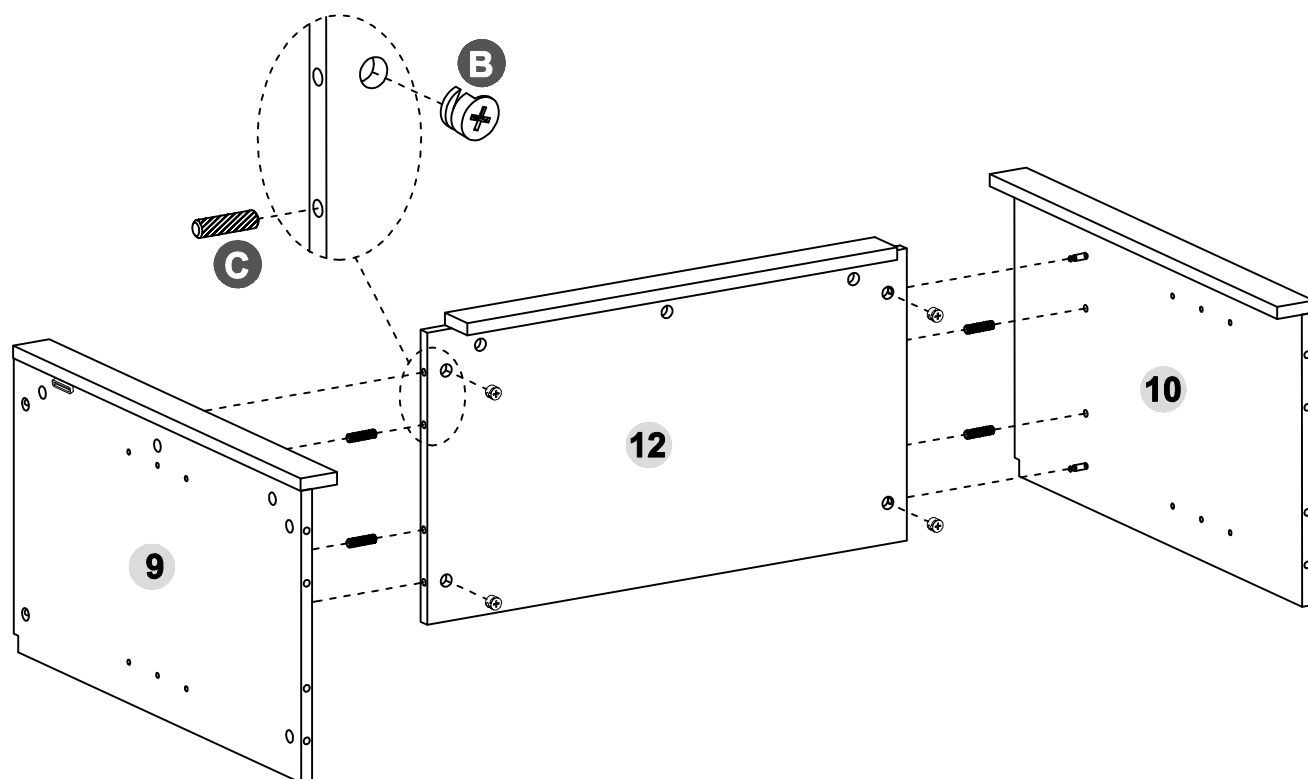
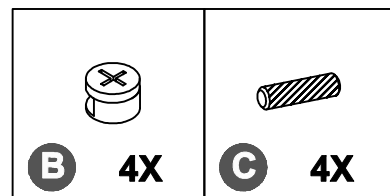
# STEP 8

- Screw (A)&(C) to (13) as below shown
- Screw (B) to lock (12)&(13) as below shown



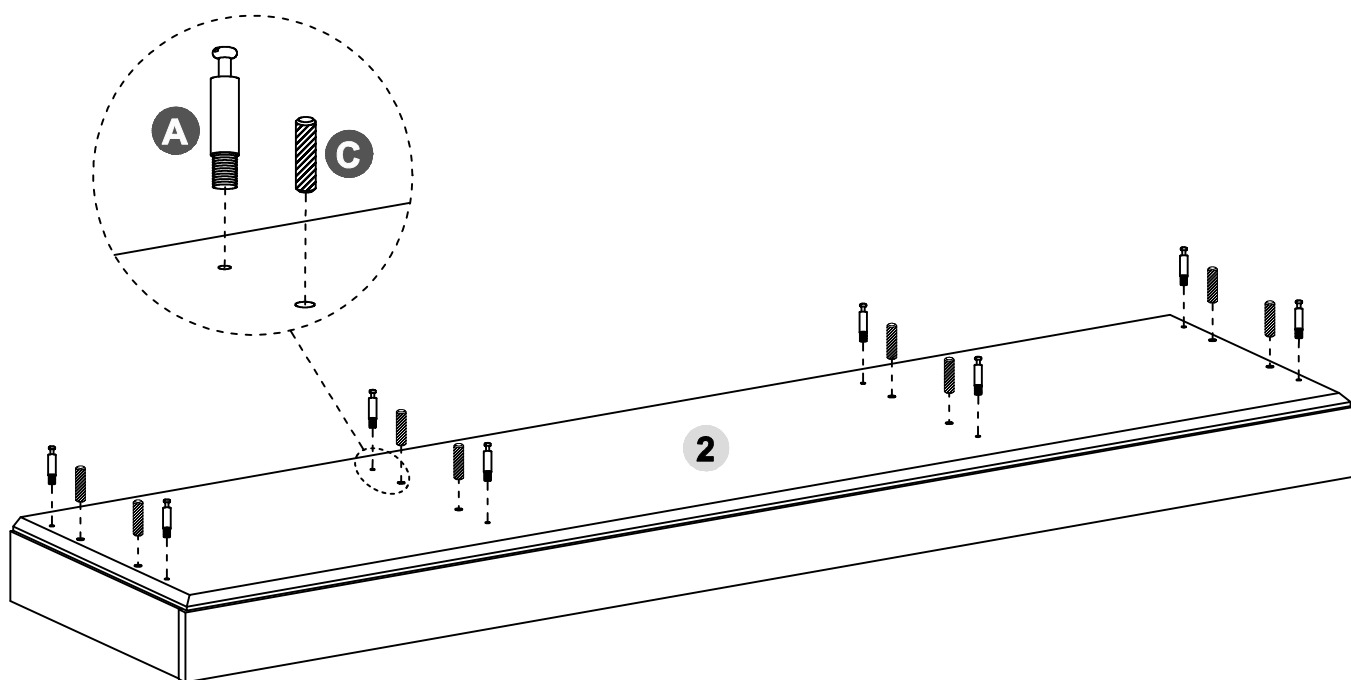
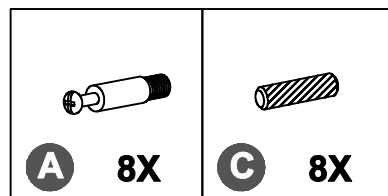
## STEP 9

- Screw (C) to (12) as below shown
- Screw (B) to lock (12)&(9) (10) as below shown



# STEP 10

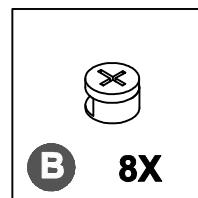
Flip the base over as below shown  
- Screw (A)&(C) to (2) as below shown



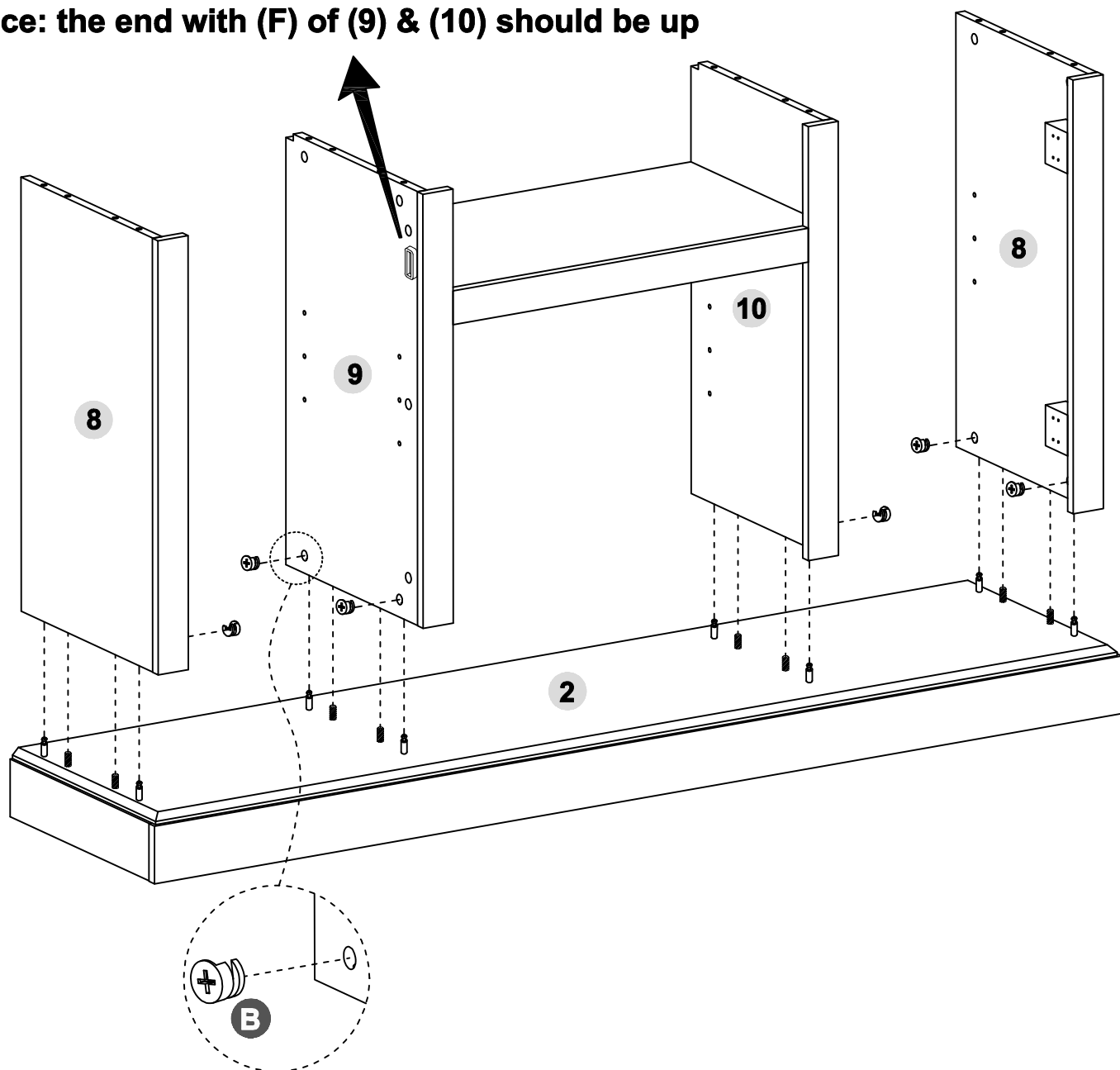


# STEP 11

-Screw (B) to (2)&(8) (9) (10) as below shown

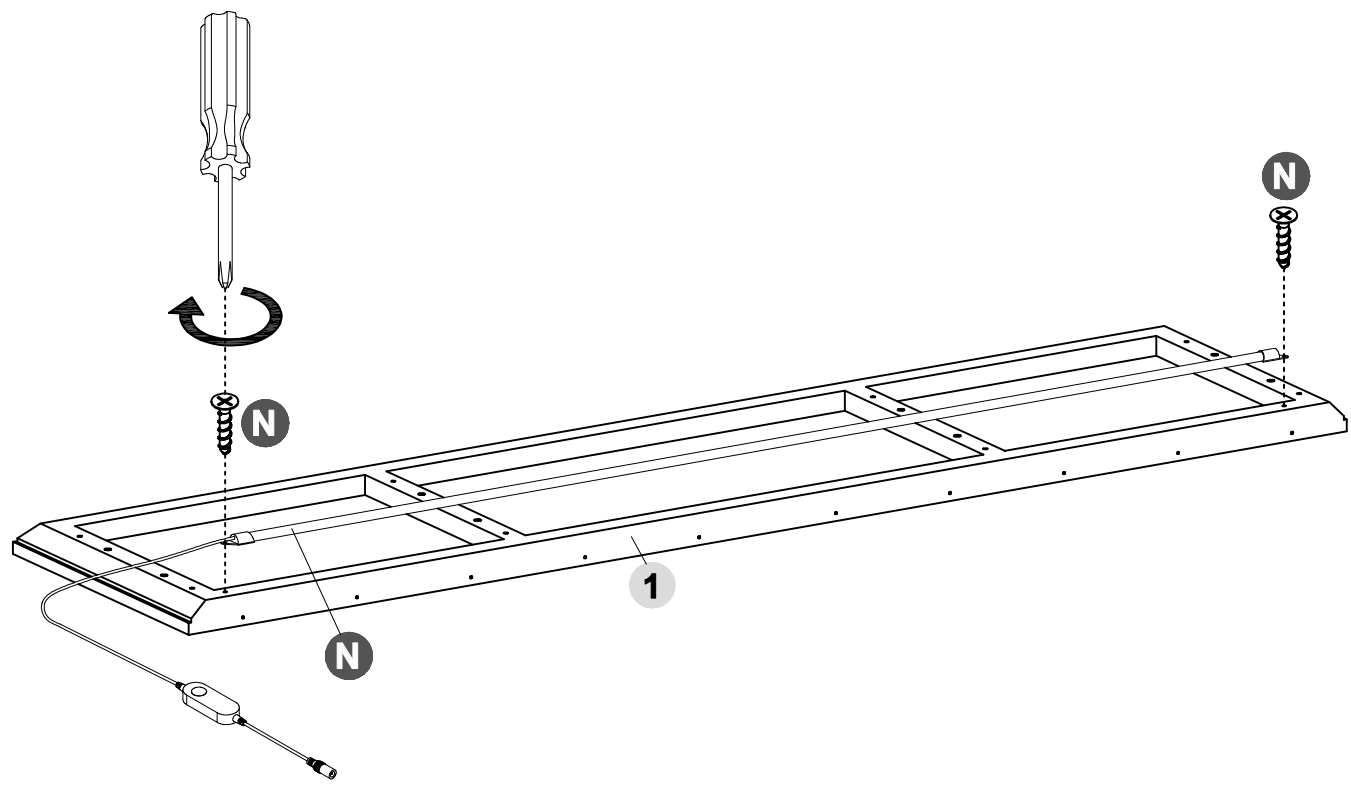
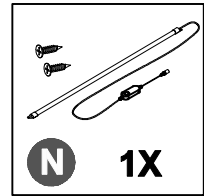


Notice: the end with (F) of (9) & (10) should be up



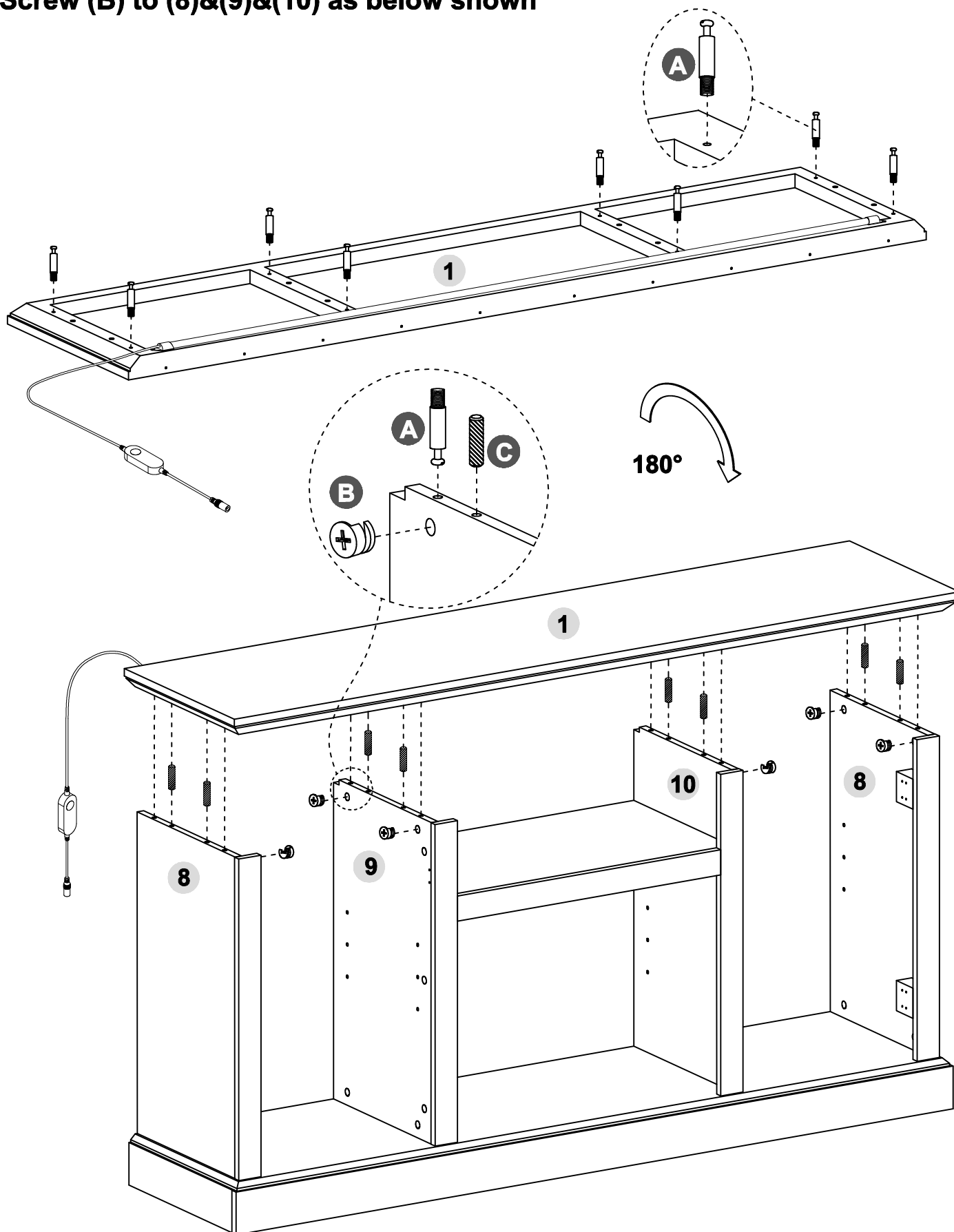
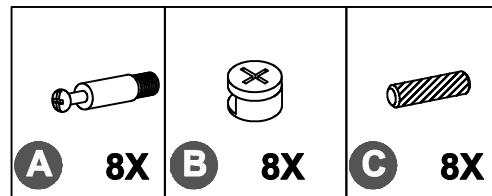
# STEP 12

-Install the light (N) to the board (1): 1x light & 2x screws



## STEP 13

- Screw (A) to (1) as below shown
- Screw (C) to (8)&(9)&(10) as below shown
- Flip (1) , attach (1) to (8)&(9)&(10) as below shown
- Screw (B) to (8)&(9)&(10) as below shown



If you intended to use this product as a TV stand, continue the assembly instruction on page 19.

If you intended to use this product as a fireplace mantel, continue the assembly instruction on page 24.

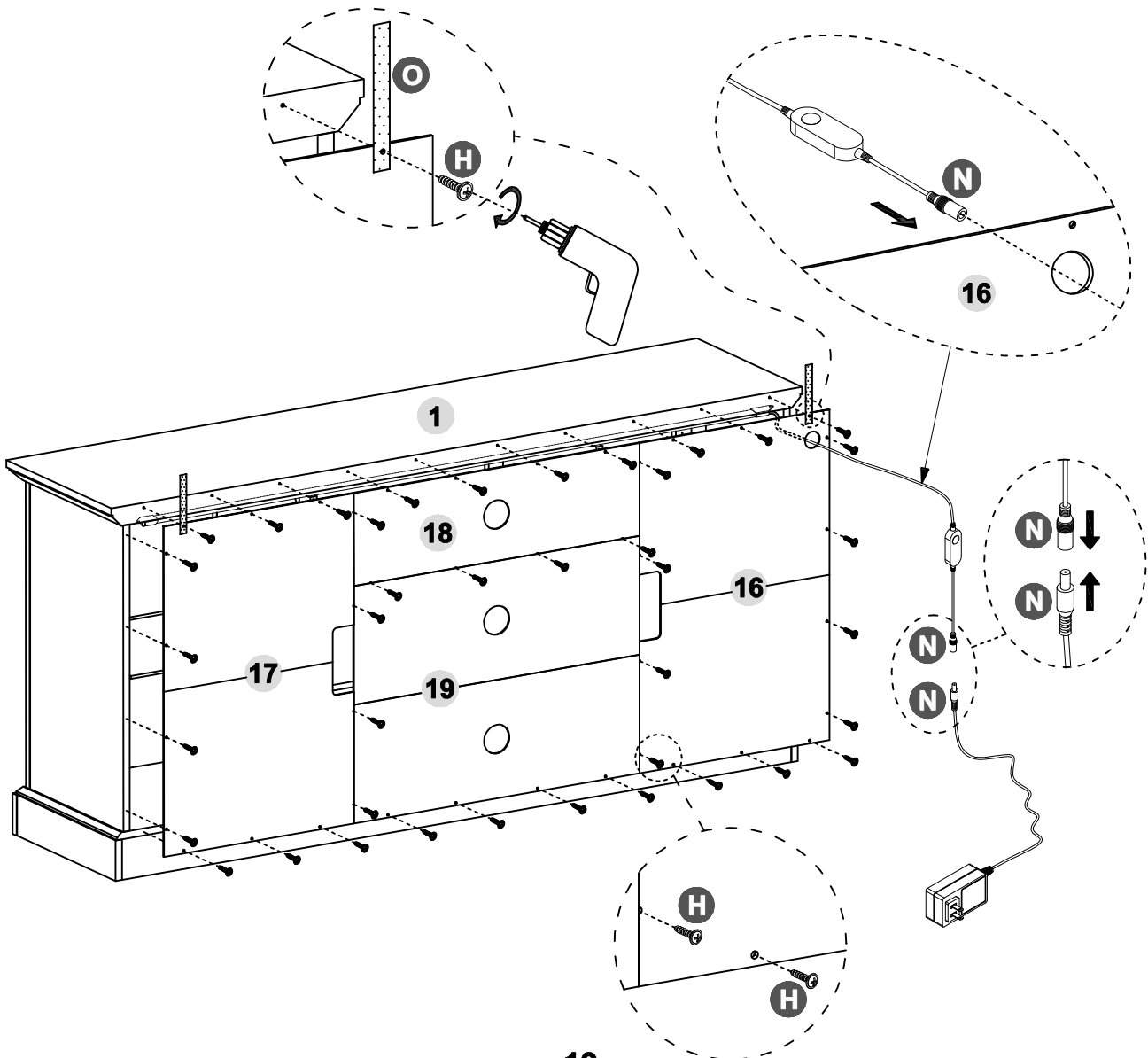
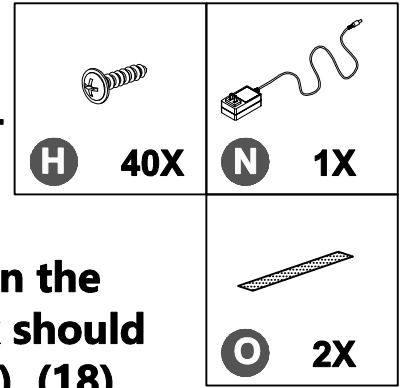
## TV STAND ASSEMBLY

### STEP 14

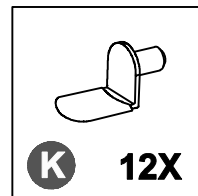
- Screw (H) to Back panel (16)&(17)&(18)&(19) as below shown.
- Stick (O) to (1)&(16) (17), use (H) locked

#### ATTENTION:

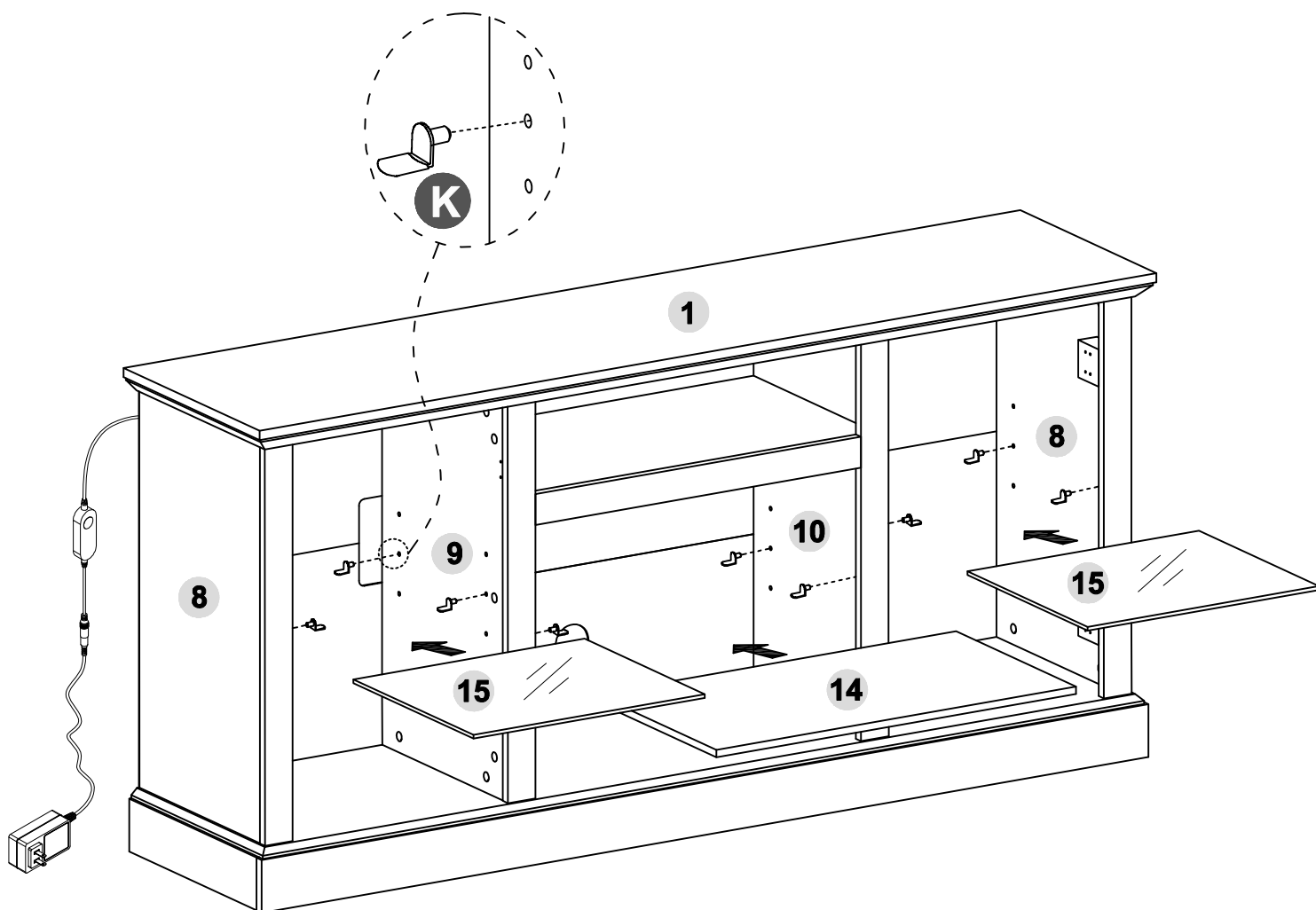
For installing the back panel easier, we should lay down the stand body, let the front face the ground and the back should be up, then ready to assemble the back panel (16), (17), (18) and (19). We suggest use a power drill to install the back panel.



## STEP 15

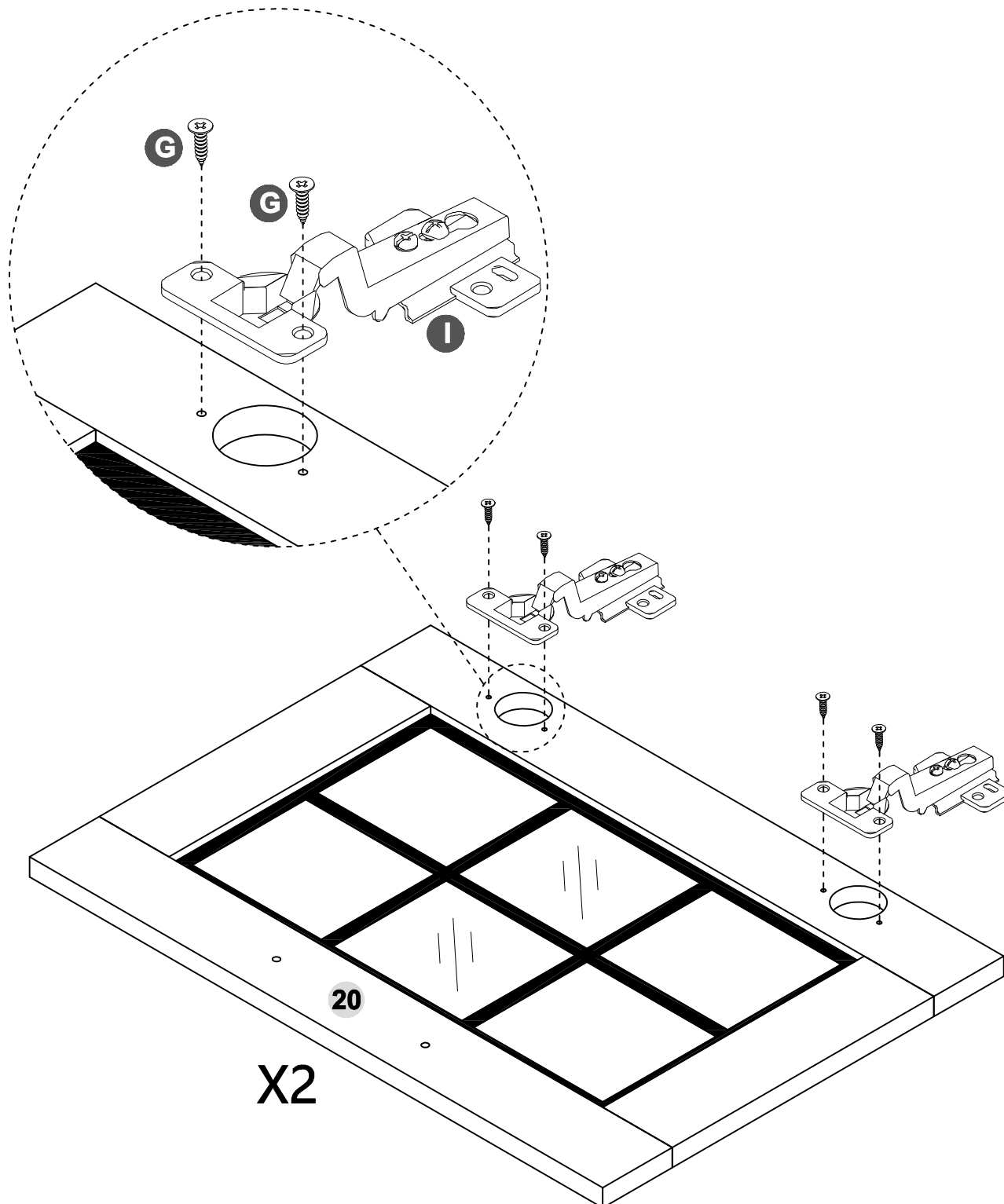
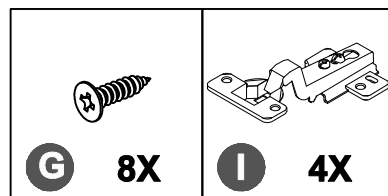


- Insert (K) to (8)&(9)&(10) as below shown
- Put the adjustable shelves (14) and (15) above assembled (K).



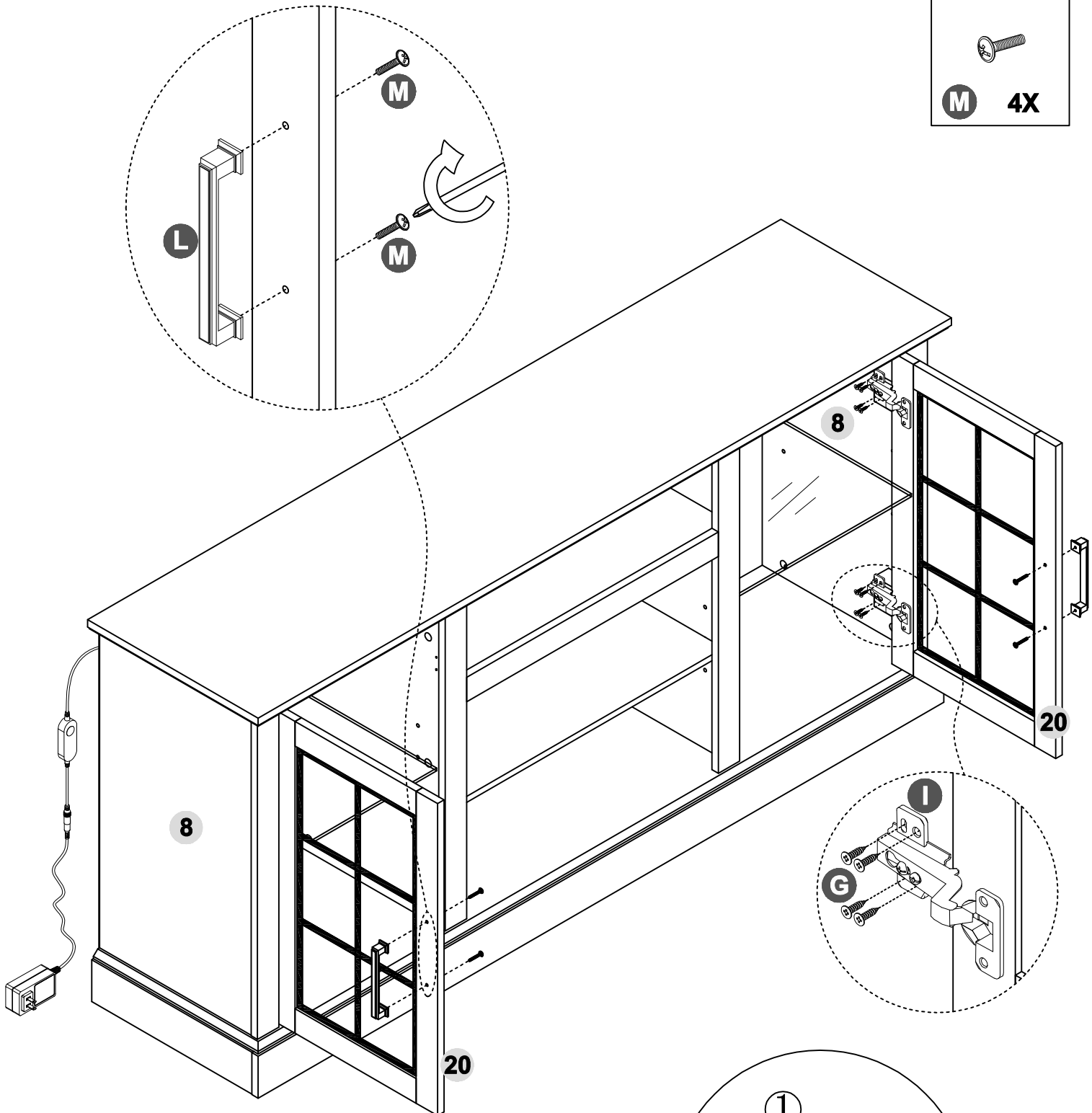
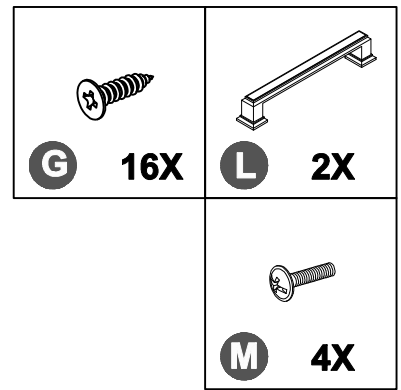
# STEP 16

- Start to install the sliding doors
- Screw (G) to install (I) on the board (20) as below shown

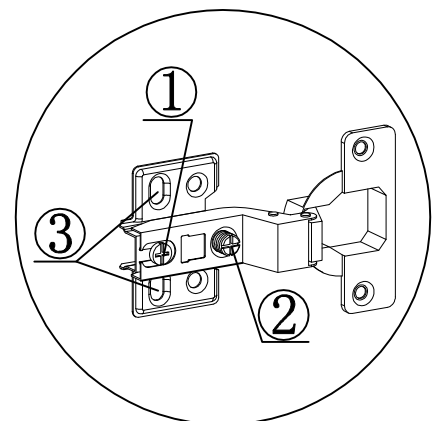


## STEP 17

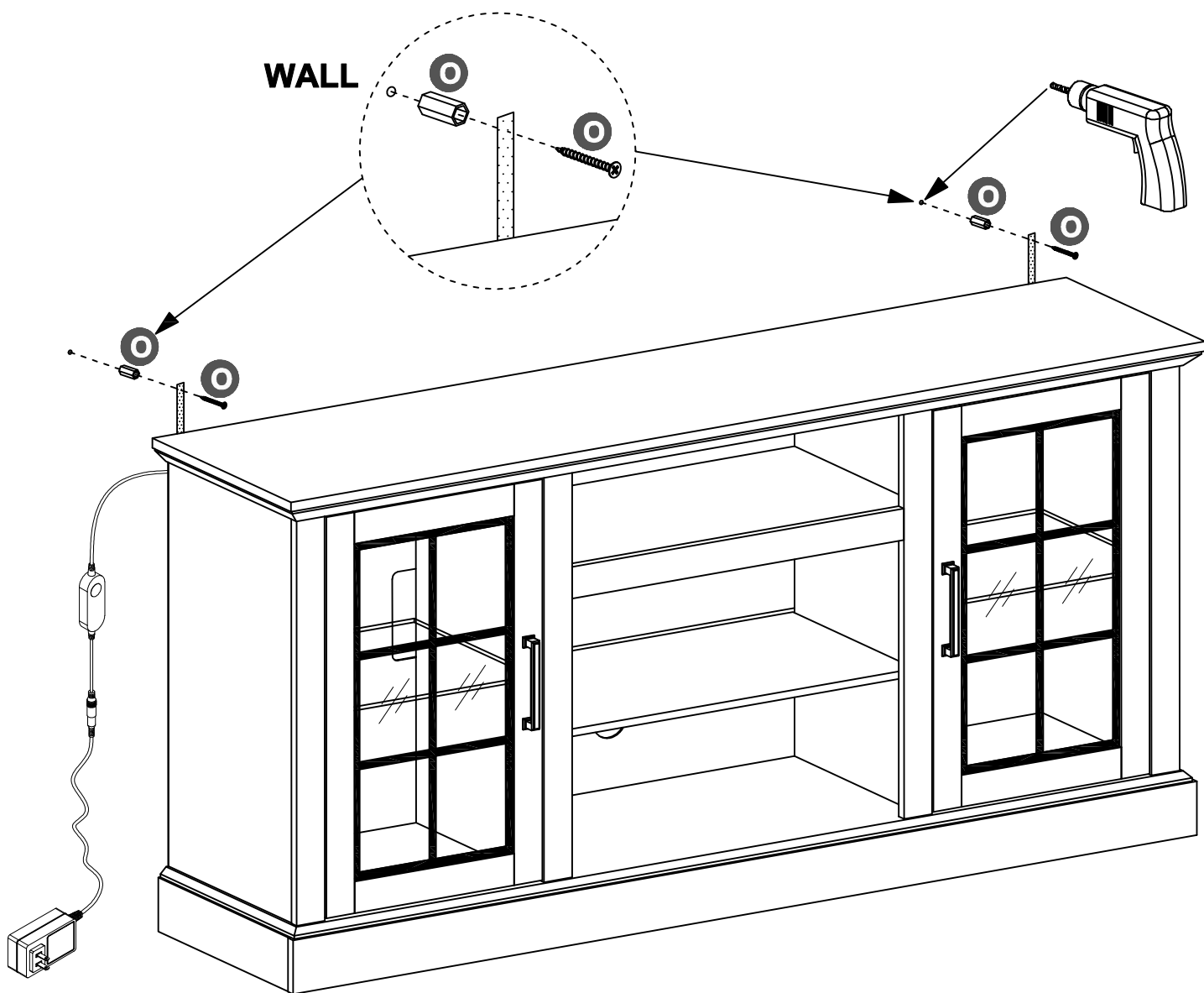
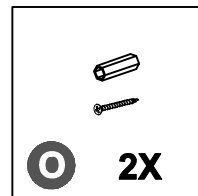
- Screw (G) to install (I) on the board (8) as below shown
- Screw (M) to (L) on the board (20) as below shown



- ①. TO ADJUST THE DOOR FORWARD OR BACKWARD.
- ②. TO ADJUST THE DOOR TO RIGHT OR TO LEFT.
- ③. TO ADJUST THE DOOR UP OR DOWN.



## STEP 18



### **! Warning/Avertissement/Advertencia**

Young children can be seriously injured by tipping furniture. You must install the tipping restraint hardware with the unit to prevent the unit from tipping to cause any accidents or damage.

Los ni-os peque-os pueden sufrir graves por muebles que se caen. Debe instalar el herraje para restricci)n de movimiento con la unidad en servicio evitar que la unidad se vuelque, provocando accidentes o da-os.

Drill a 3/16" diameter hole (5mm) in the wallboard. Tap the wall anchor into the hole until it is flush. Fasten the safety strap to the wall anchor with the 1" screw.

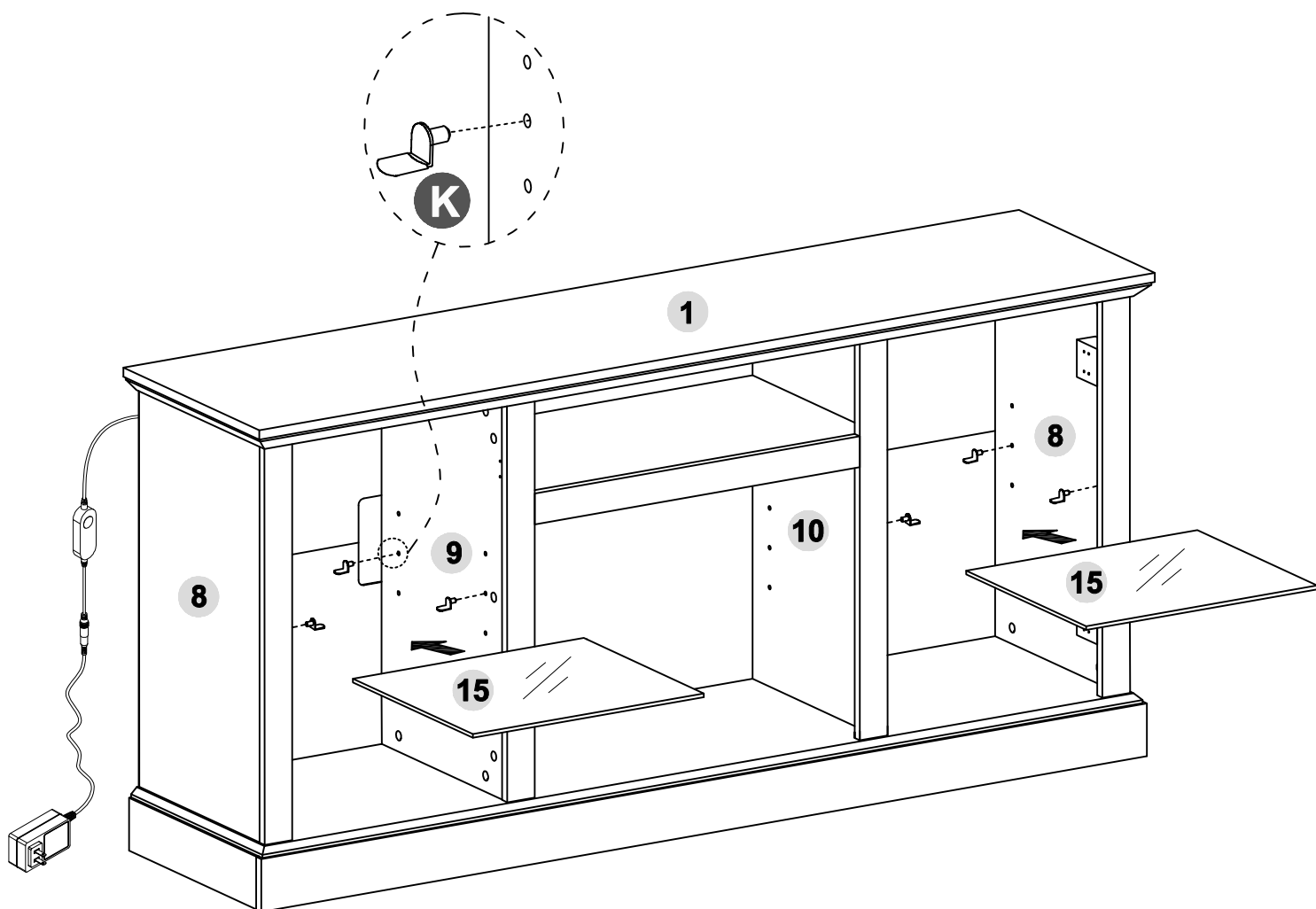
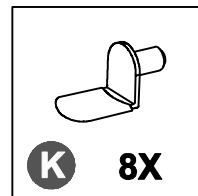
Taladre un agujero de 3/16" de di(metro (5mm) en la pared. Golpea la ancla de pared en el agujero hasta que sea parejo. Abroche la cord)n de seguridad al la ancla de la pared con el tornillo de 25mm.





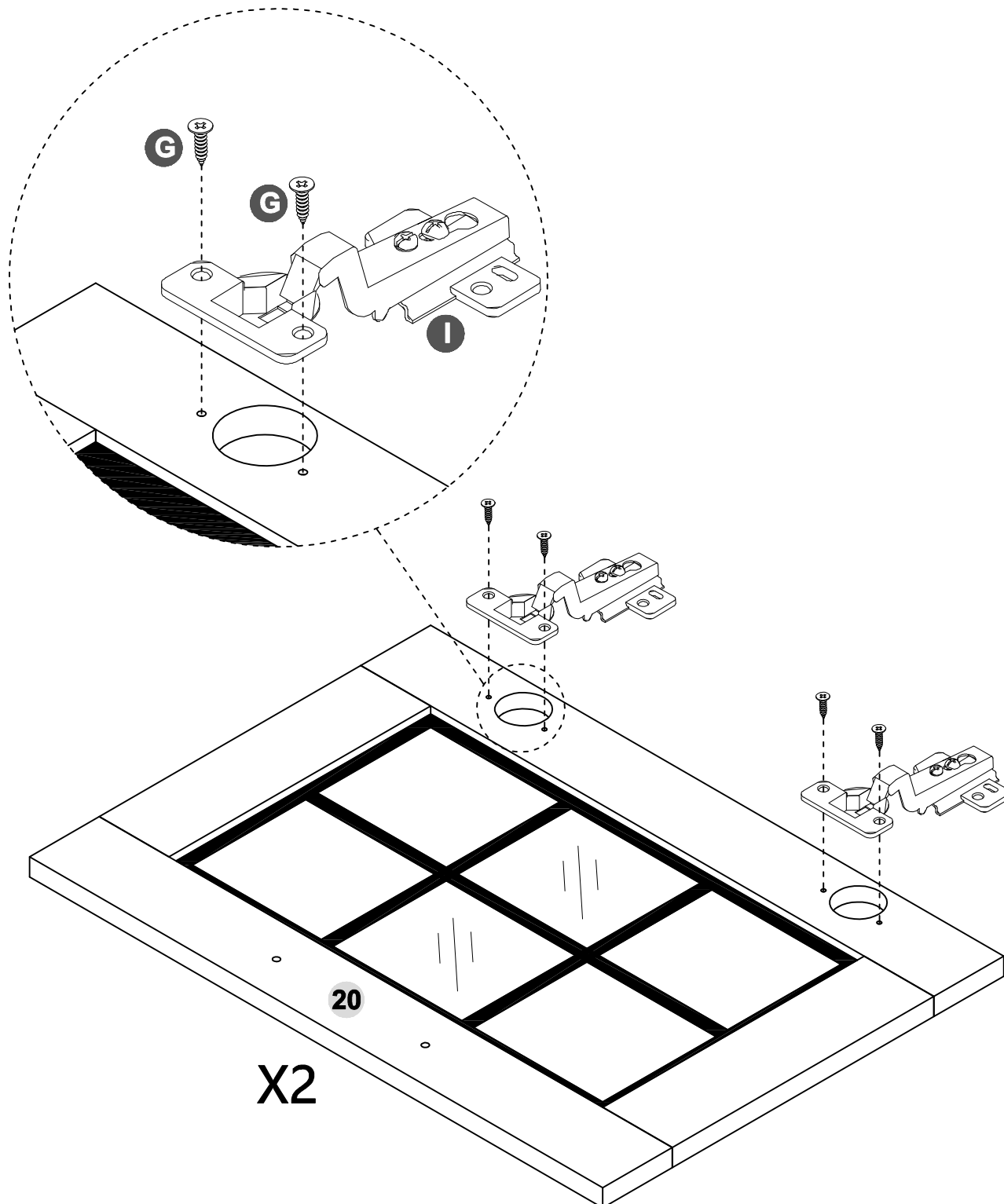
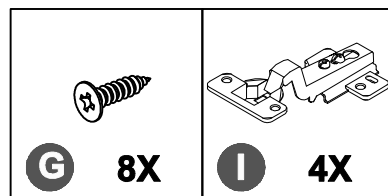
## STEP 15

- Insert (K) to (8)&(9)&(10) as below shown
- Put the adjustable glass shelves (15) above assembled (K).



# STEP 16

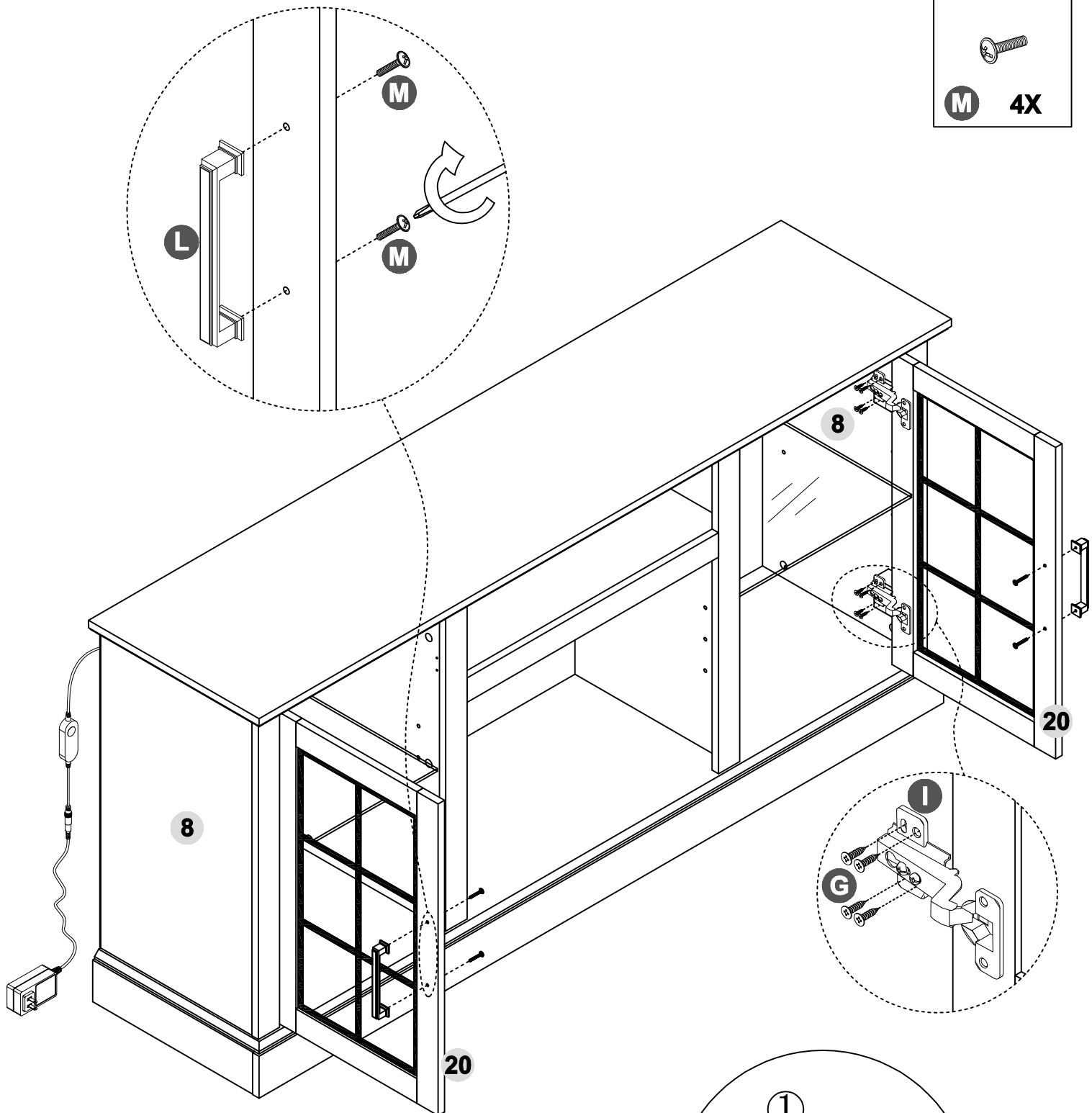
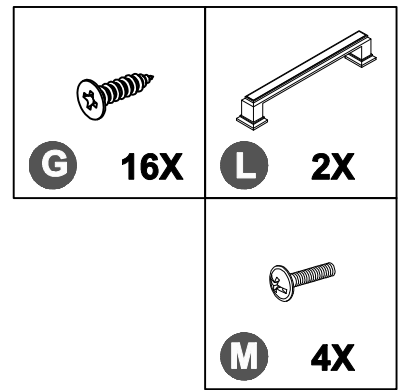
- Start to install the sliding doors
- Screw (G) to install (I) on the board (20) as below shown



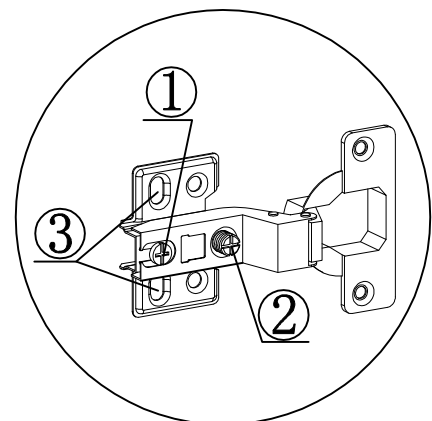
## STEP 17

- Screw (G) to install (I) on the board (8) as below shown

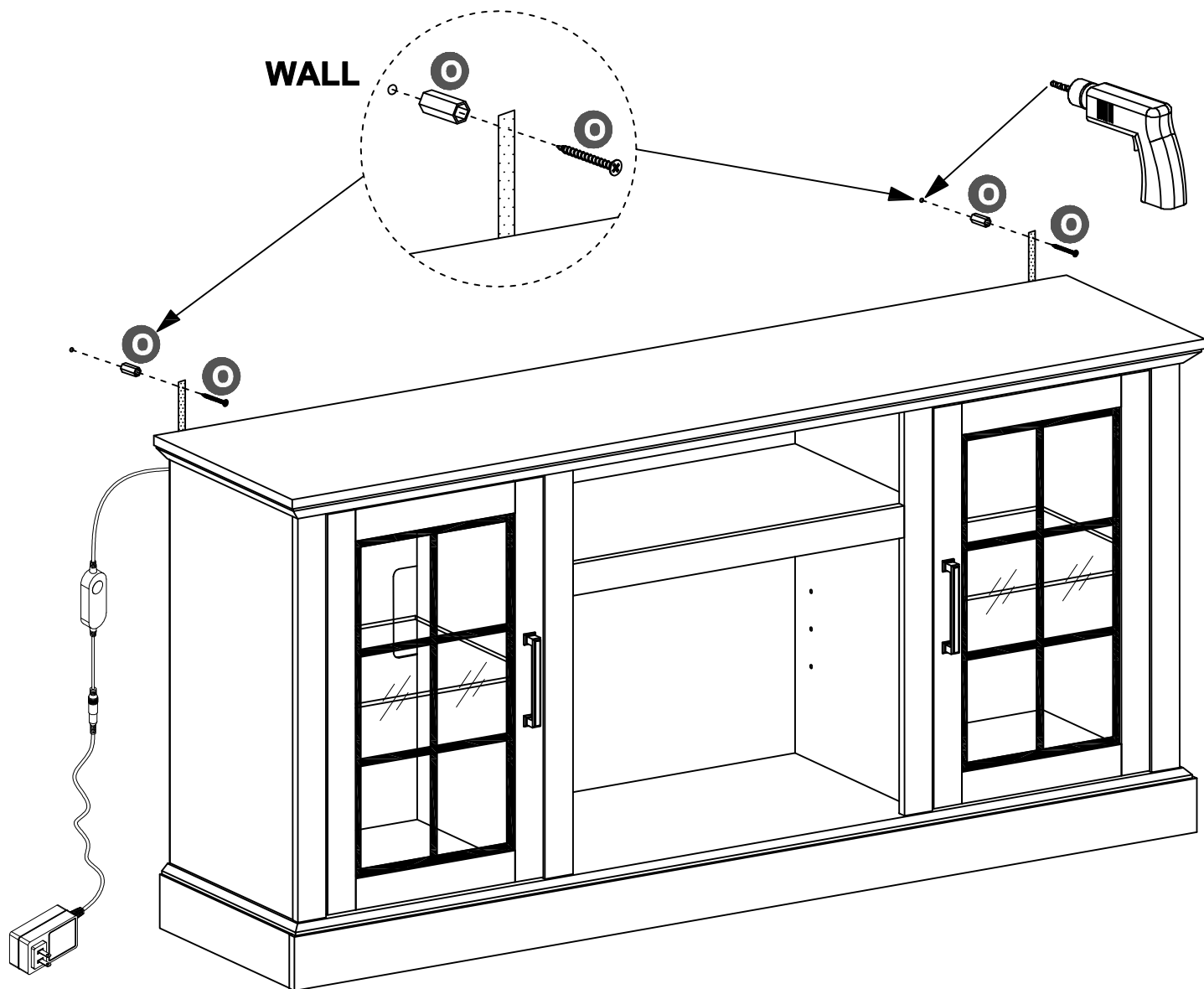
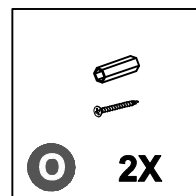
- Screw (M) to (L) on the board (20) as below shown



- ①. TO ADJUST THE DOOR FORWARD OR BACKWARD.
- ②. TO ADJUST THE DOOR TO RIGHT OR TO LEFT.
- ③. TO ADJUST THE DOOR UP OR DOWN.



## STEP 18



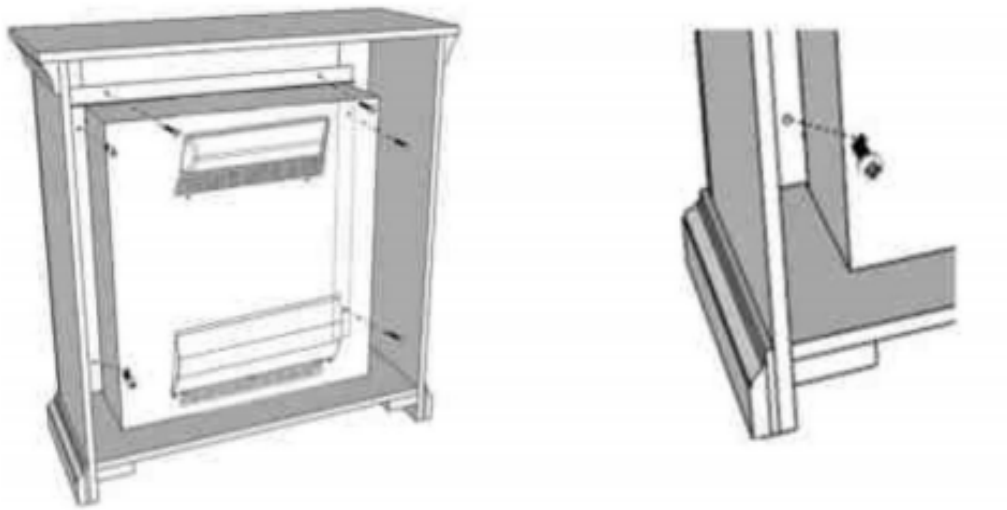
### **! Warning/Avertissement/Advertencia**

Young children can be seriously injured by tipping furniture. You must install the tipping restraint hardware with the unit to prevent the unit from tipping to cause any accidents or damage.

Los ni-os peque-os pueden sufrir graves por muebles que se caen. Debe instalar el herraje para restricci)n de movimiento con la unidad en servicio evitar que la unidad se vuelque, provocando accidentes o da-os.

Drill a 3/16" diameter hole (5mm) in the wallboard. Tap the wall anchor into the hole until it is flush. Fasten the safety strap to the wall anchor with the 1" screw.

Taladre un agujero de 3/16" de di(metro (5mm) en la pared. Golpea la ancla de pared en el agujero hasta que sea parejo. Abroche la cord)n de seguridad al la ancla de la pared con el tornillo de 25mm.



## **FIREPLACE INSTALLATION**

If you decide to install the fireplace into the mantel, carefully set the unit from the back of the mantel and center it in the opening.

Check the alignment and attach the unit to the mantel by inserting screws through the drilled holes on the trim to the mantel.

**NOTE:** Do not attempt to install the unit from the front of the mantel. It will not fit.