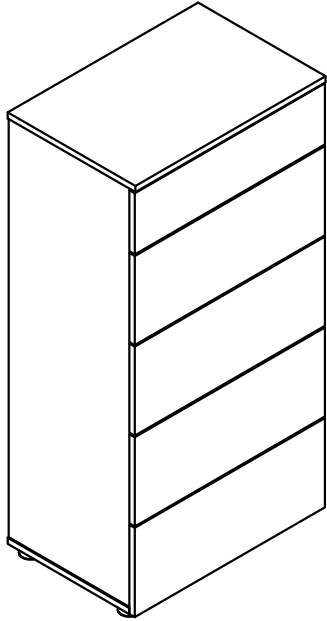
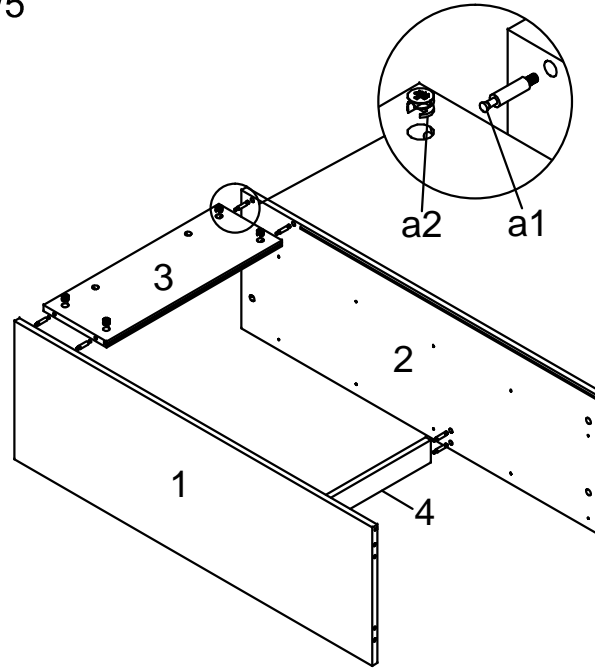


# JL-02026

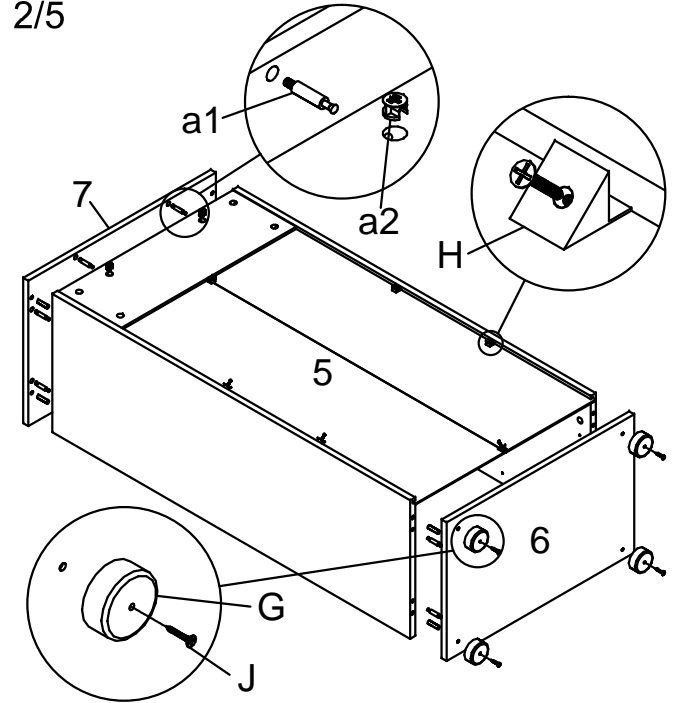


|                              |  |
|------------------------------|--|
| <b>F</b><br>Ø3.5*30<br>20PCS | <b>A</b><br>Φ15mm<br>a2<br>a1<br>18PCS |
| <b>G</b><br>4PCS             | <b>B</b><br>Ø10mm<br>b2<br>b1<br>20PCS |
| <b>H</b><br>Ø3.5*20<br>6SET  | <b>C</b><br>Ø8*30<br>8PCS              |
| <b>I</b><br>300mm<br>6SET    | <b>D</b><br>50PCS                      |
| <b>J</b><br>Ø8*30<br>4PCS    | <b>E</b><br>Ø3.5*14<br>40PCS           |

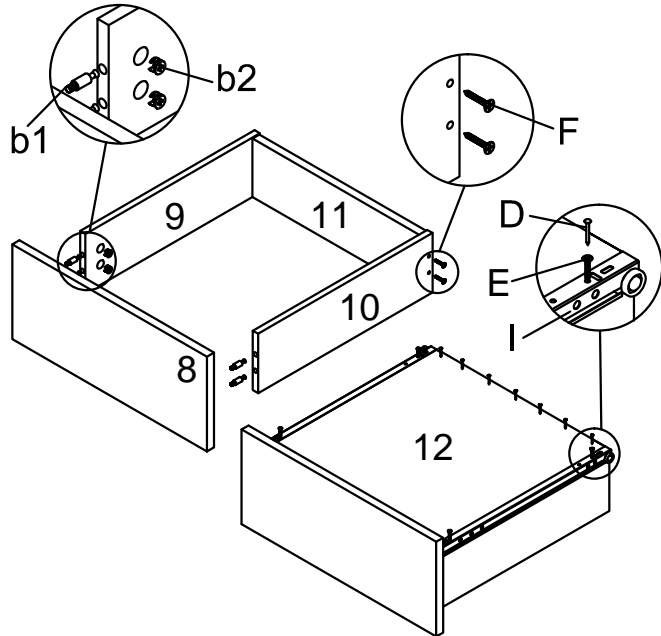
1/5



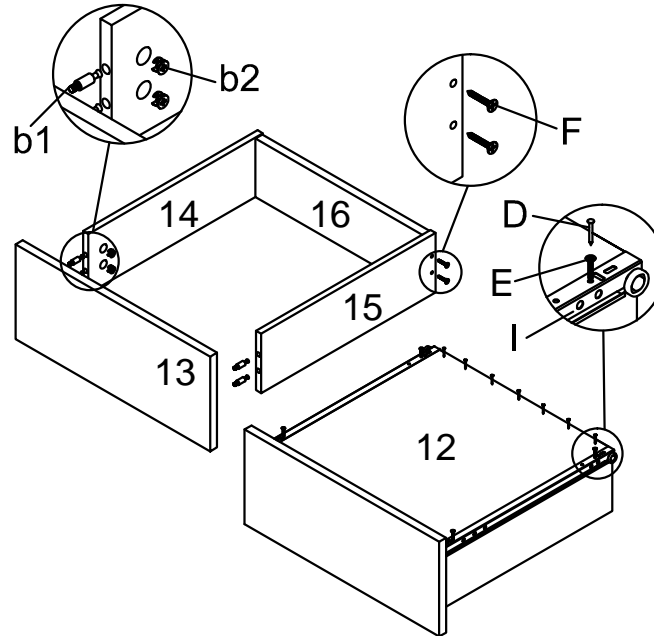
2/5



3/5



4/5



5/5

