



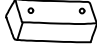

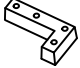
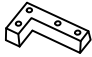





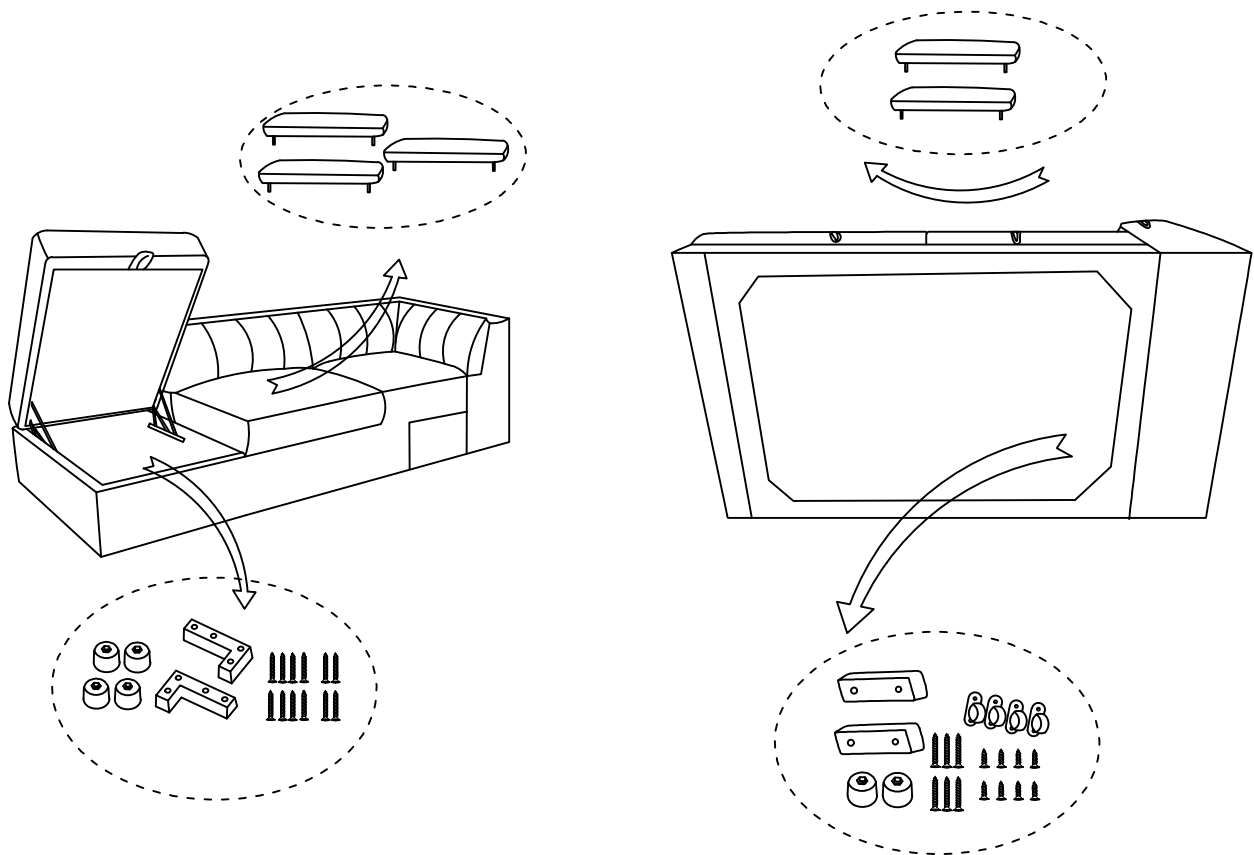
ASSEMBLY INSTRUCTIONS

Model: Abigail II

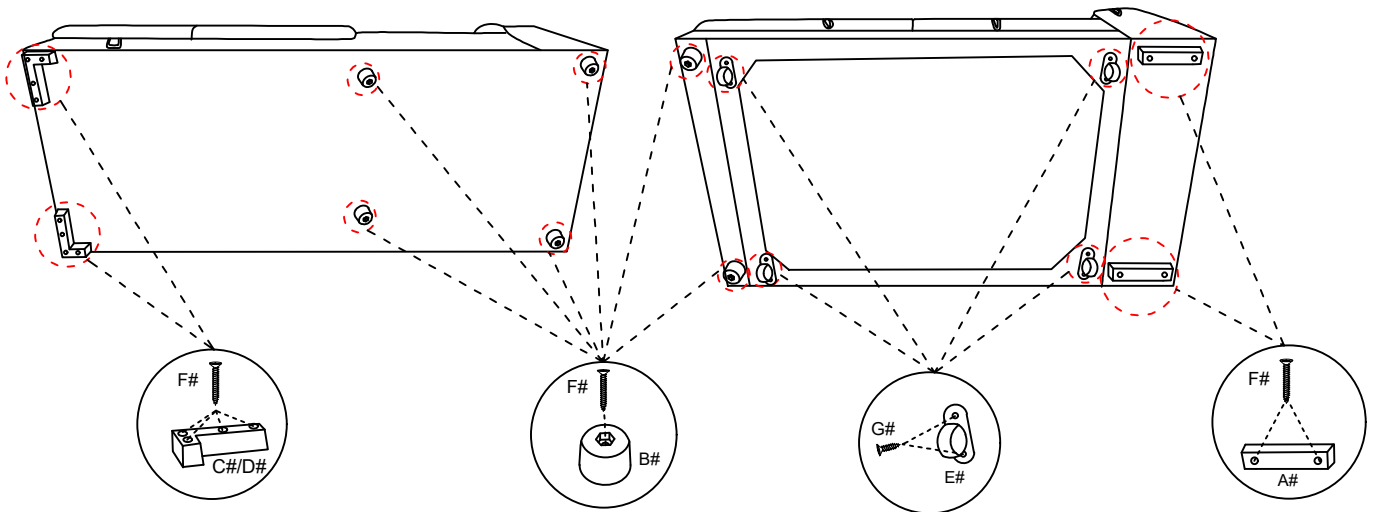
Parts of the list:

| | | | | | | | | | | | |
|---|-----|---|-----|---|------|--|-------|--|------|---|------|
| 1 | 1PC | 2 | 1PC | 3 | 4PCS | 4 | 1PC | A | 2PCS | B | 6PCS |
|  | |  | |  | |  | |  | |  | |
| C | 1PC | D | 1PC | E | 4PCS | F | 18PCS | G | 8PCS | | |
|  | |  | |  | |  M5*50MM | |  M5*25MM | | | |

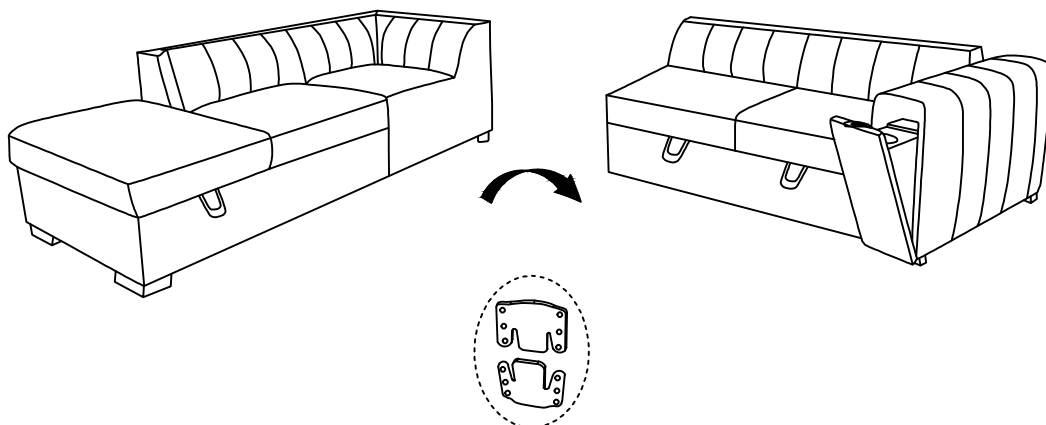
STEP 1



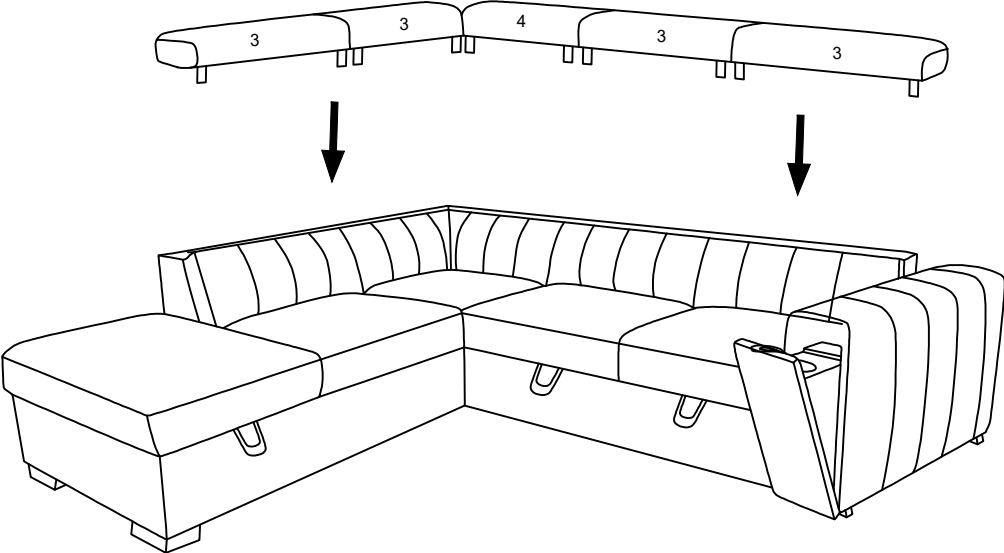
STEP 2



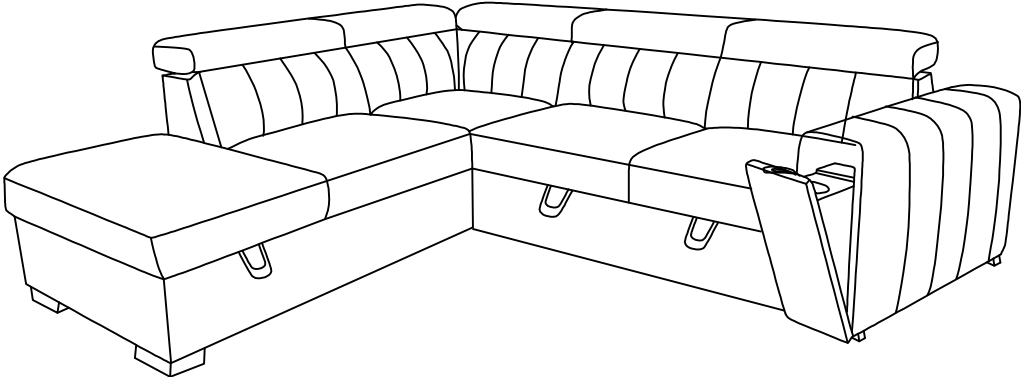
STEP 3



STEP 4



STEP 5



STEP 6

