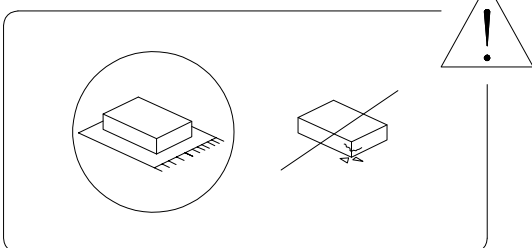
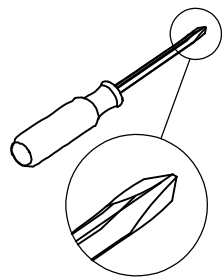
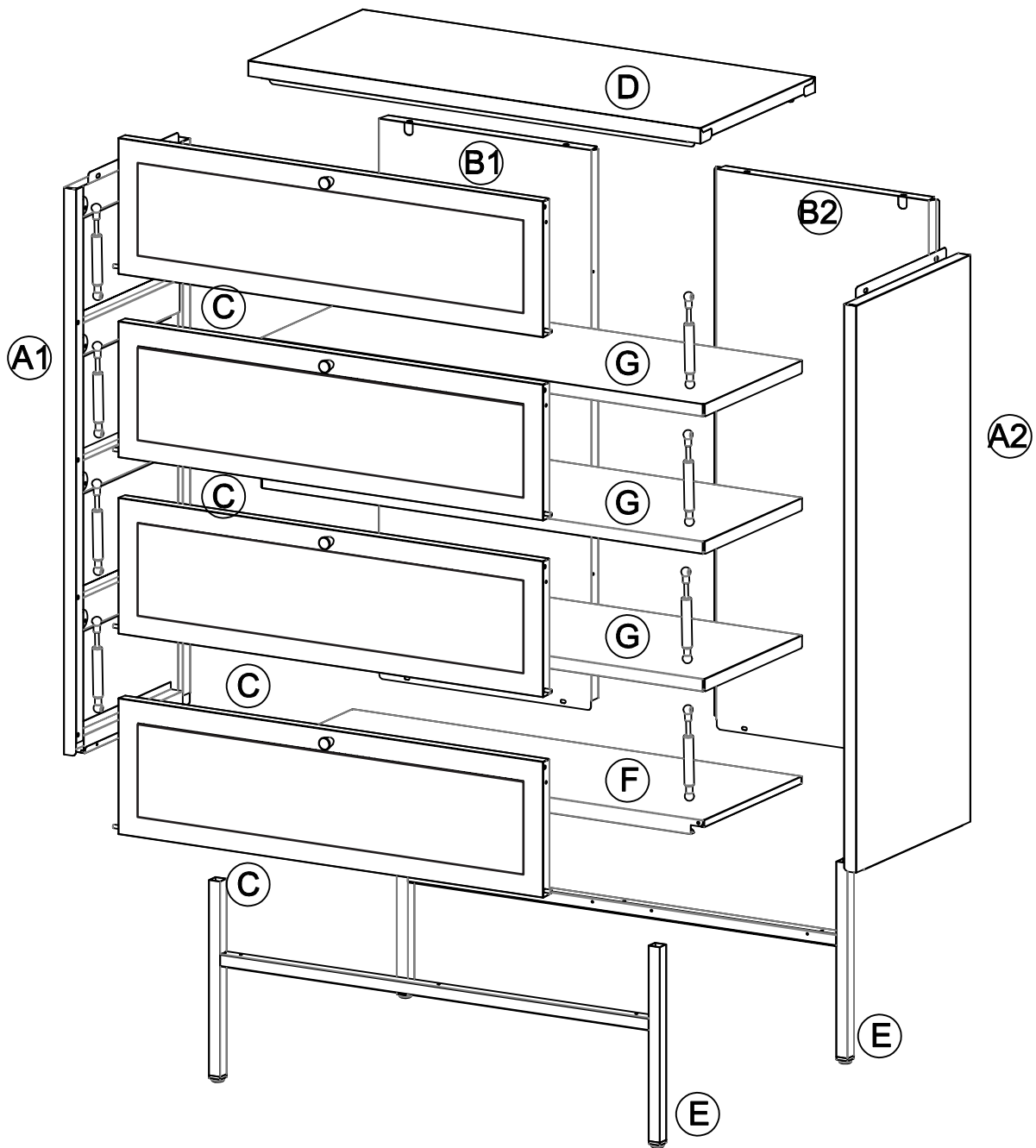


30'

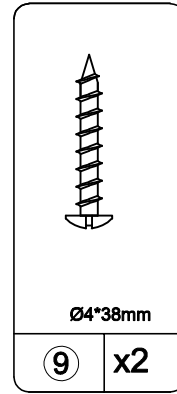
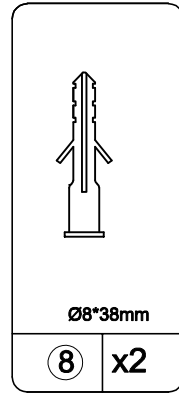
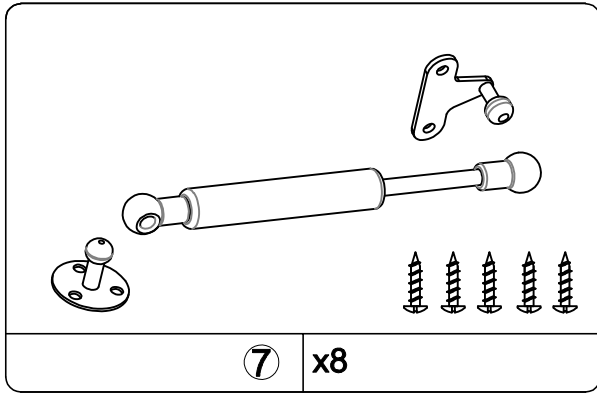
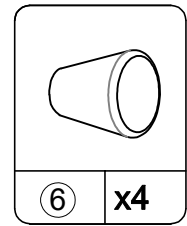
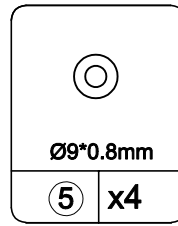
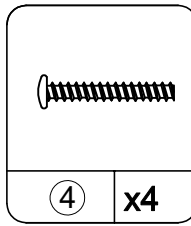
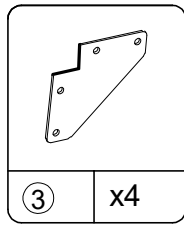
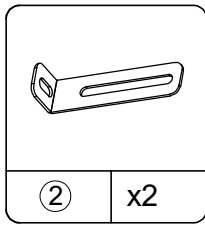
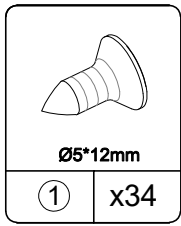


2

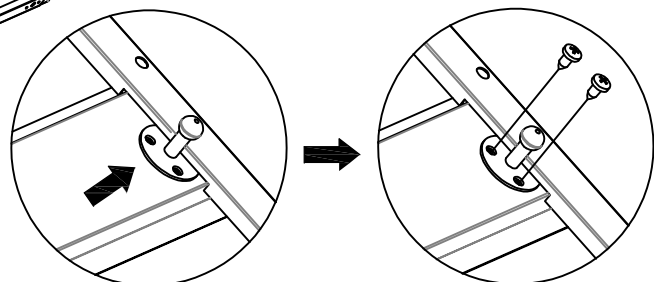
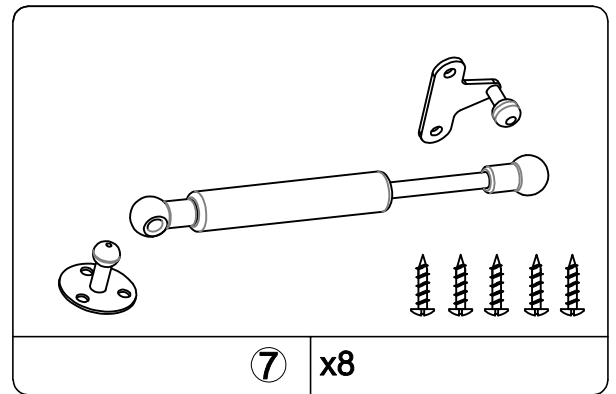
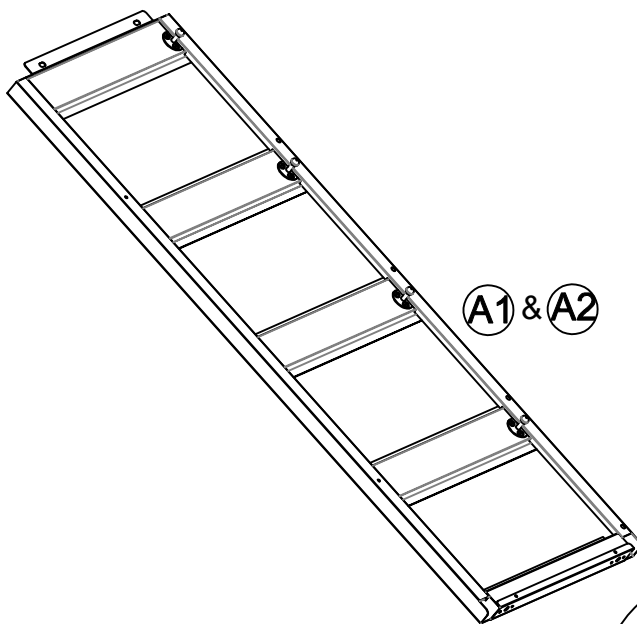


Hardware	Ctn No.	1
----------	---------	---

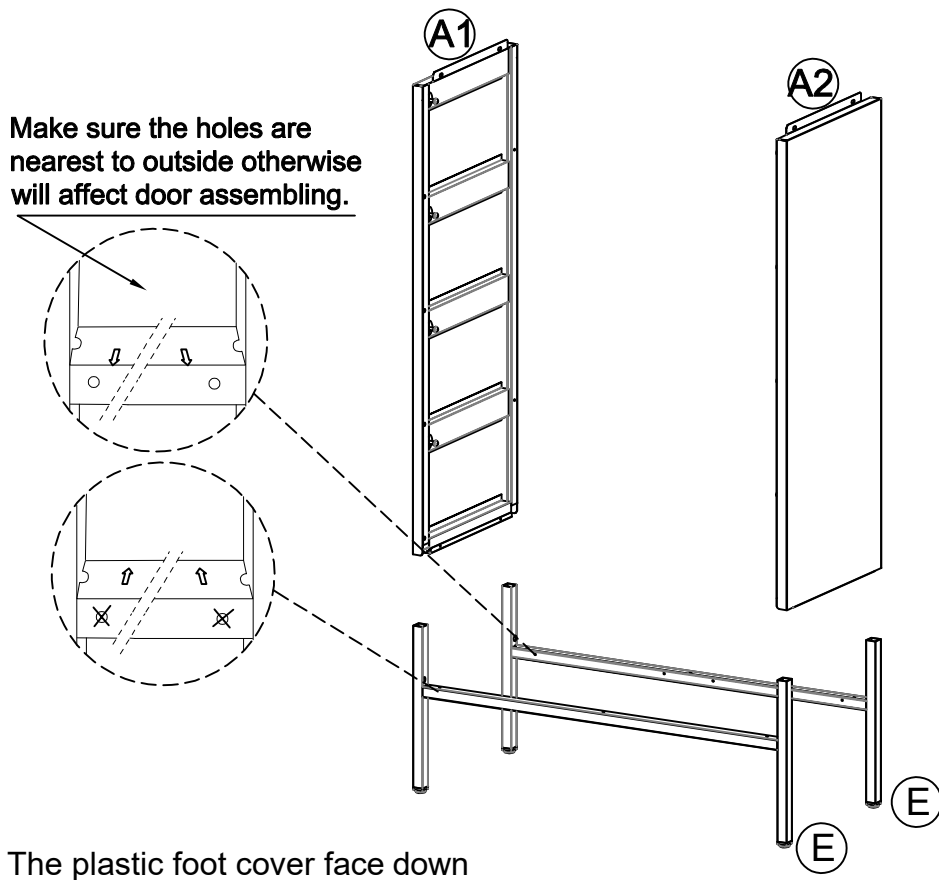
No.	Size	Qty
A1	918x350x22mm	1
A2	918x350x22mm	1
B1	890x382x23mm	1
B2	890x384x23mm	1
C	752x216x20mm	4
D	801x351.5x38mm	1
E	799x320x20mm	2
F	796x302x25mm	1
G	796x302x20mm	3



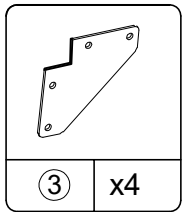
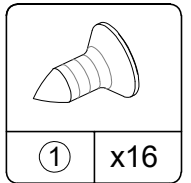
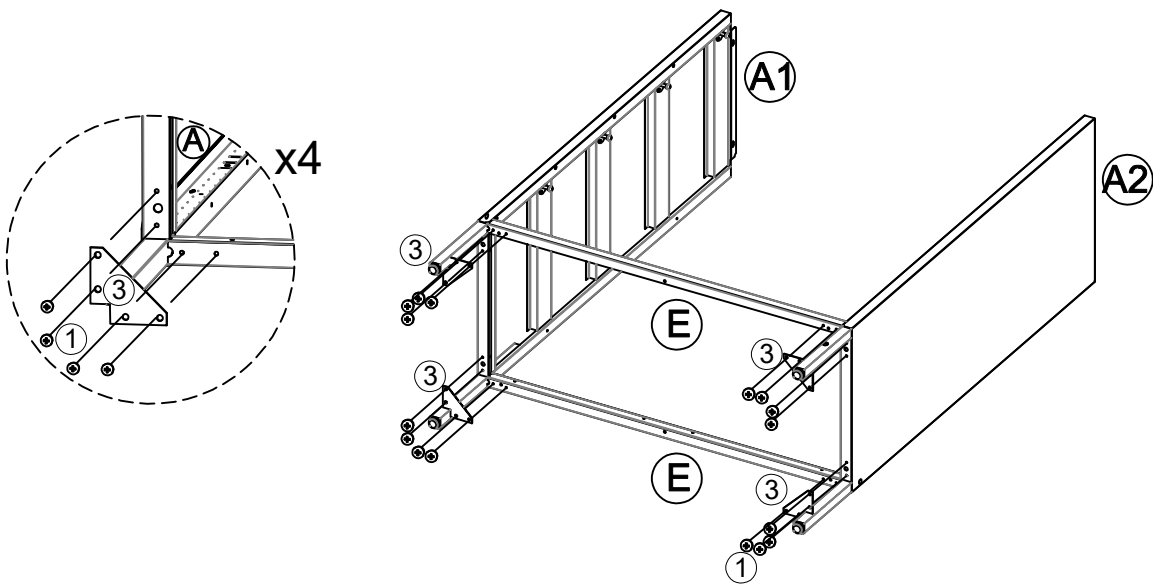
(1) - Attach (7) to (A1) & (A2) as below shown.



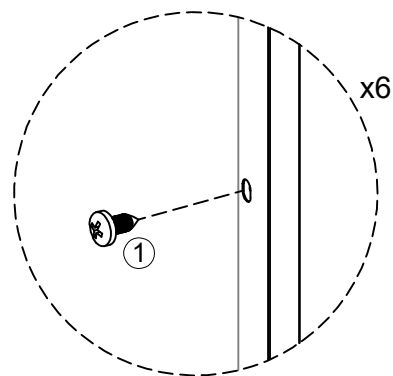
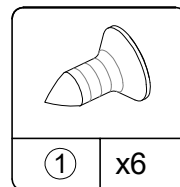
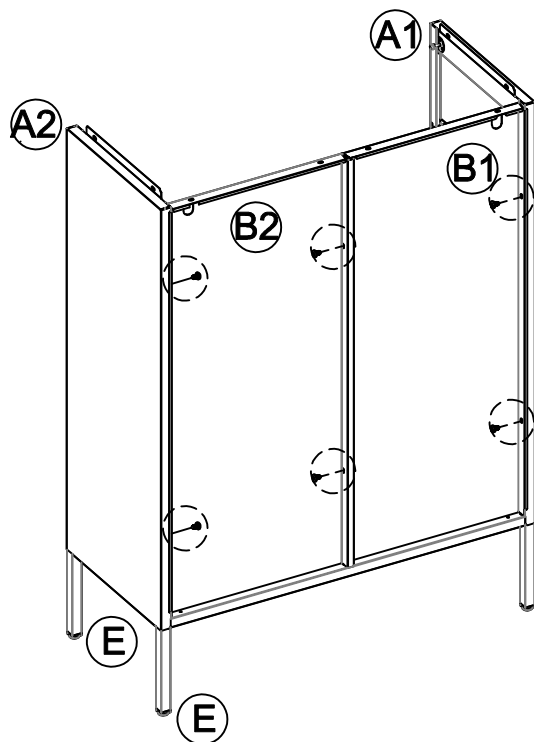
(2) - Attach (A) to (E) as below shown.



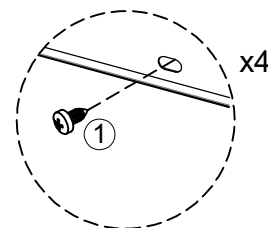
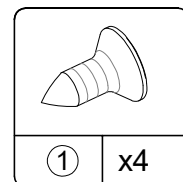
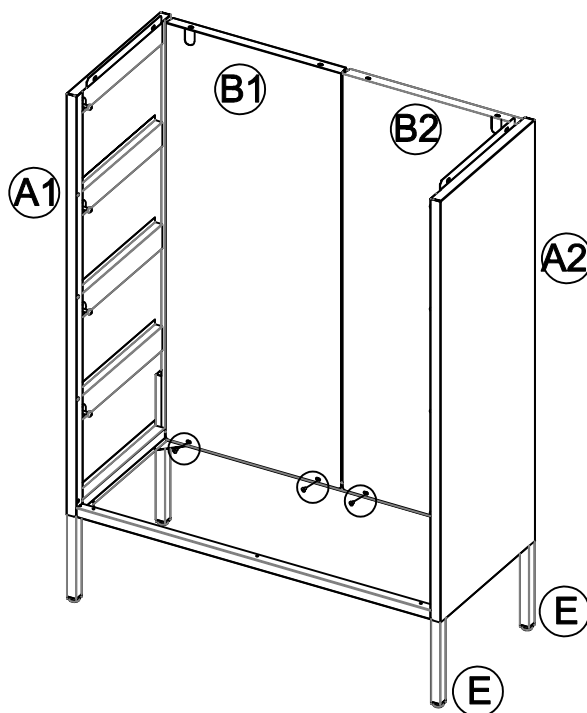
(3) - Attach (3) to (A)&(E) as below shown.



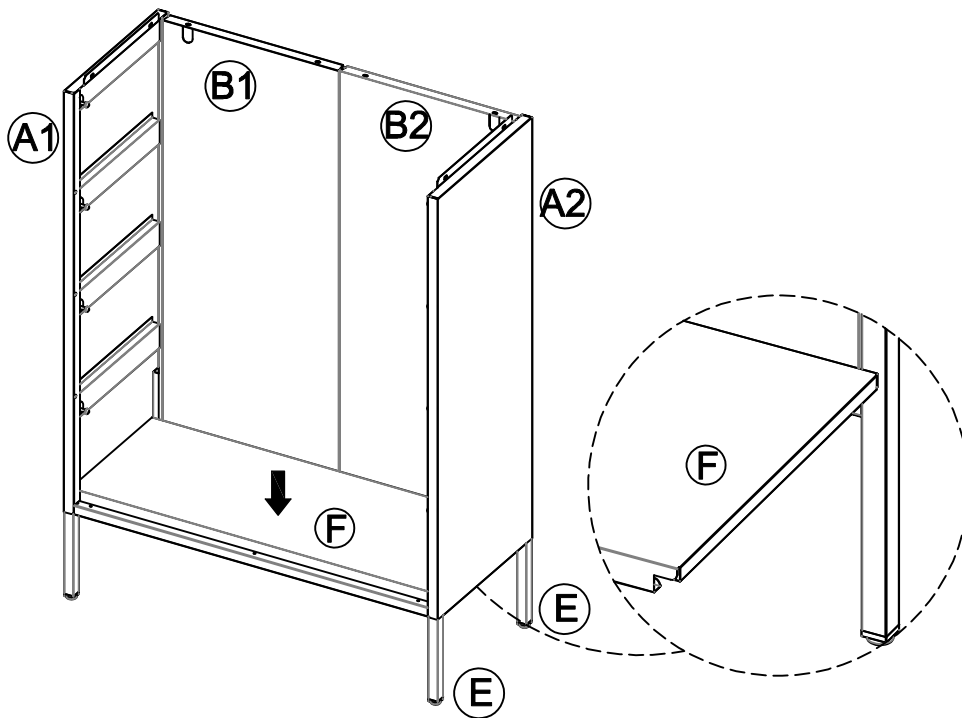
(4) - Attach (B) to (A) as below shown.



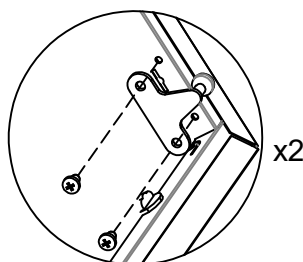
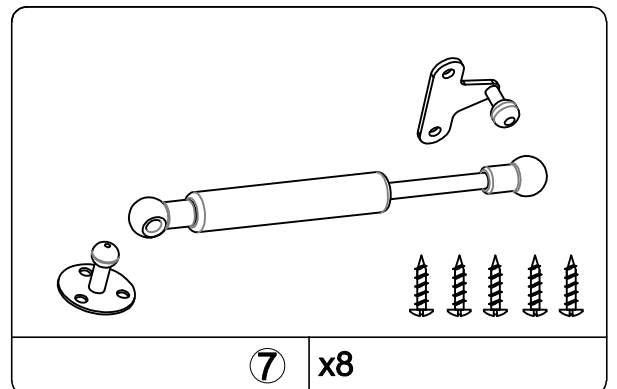
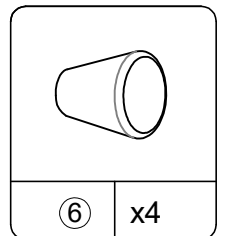
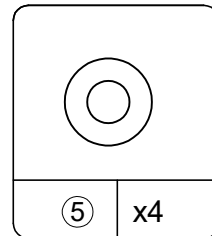
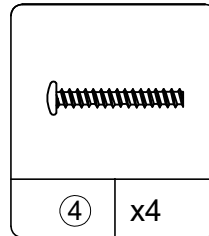
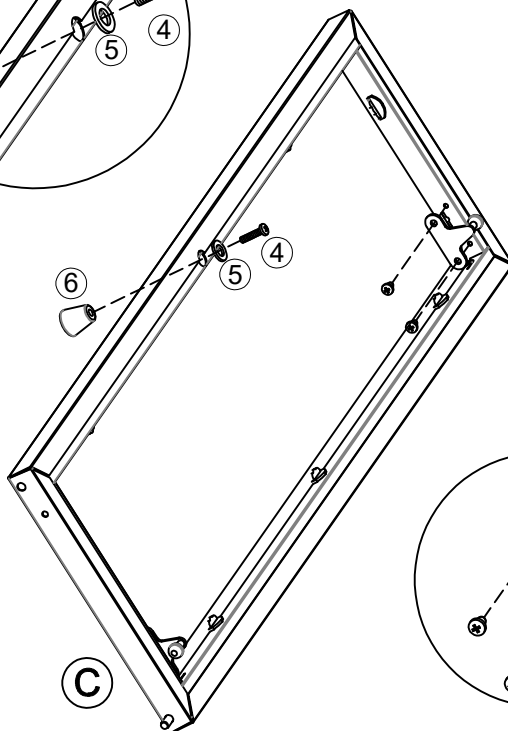
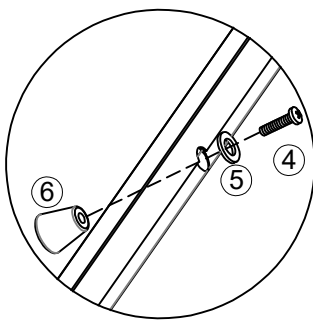
(5) - Attach (B) to (E) as below shown.



(6) - Attach (F) to pre-assembled unit as below shown.

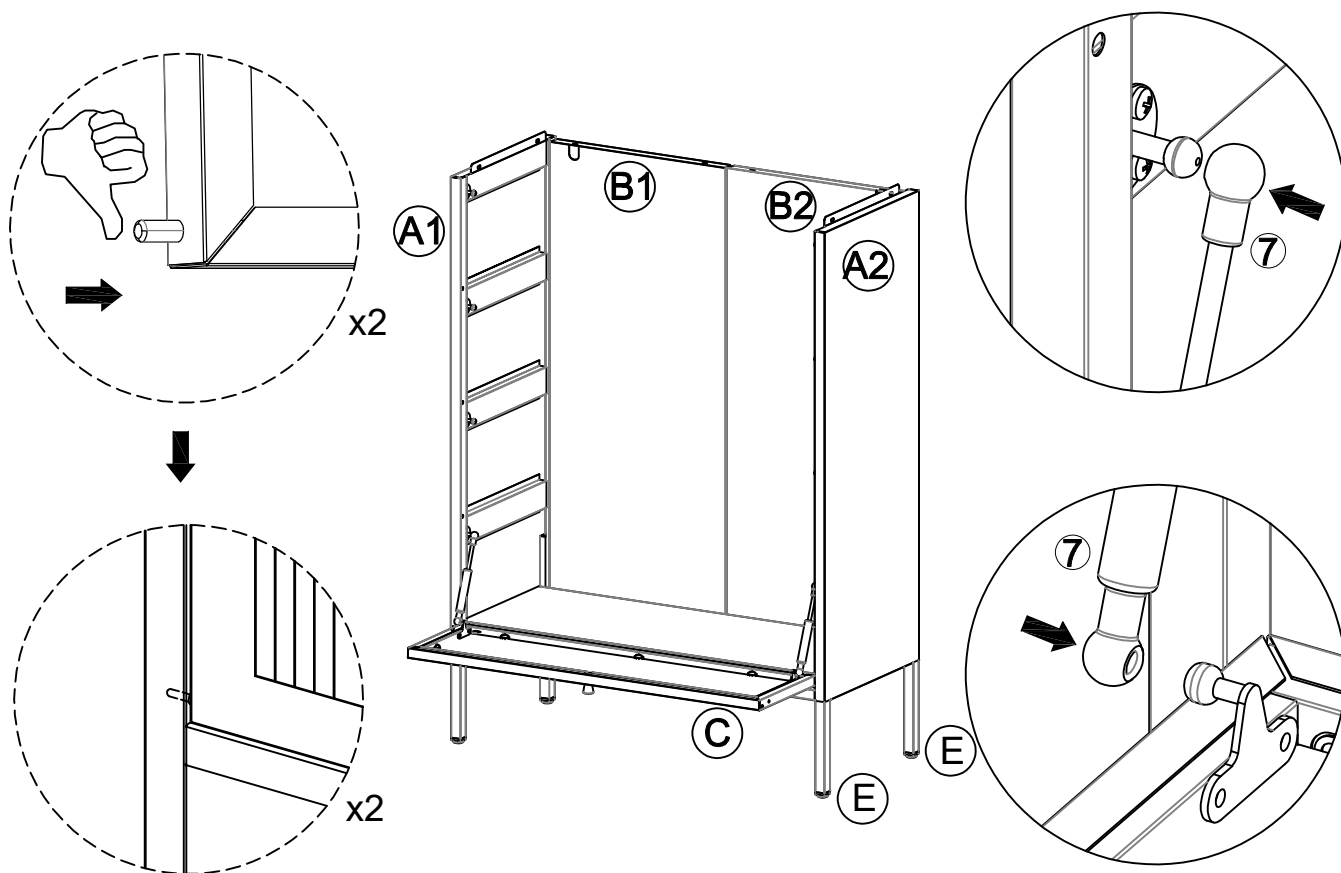


(7) - Attach (6) to (C) as below shown.

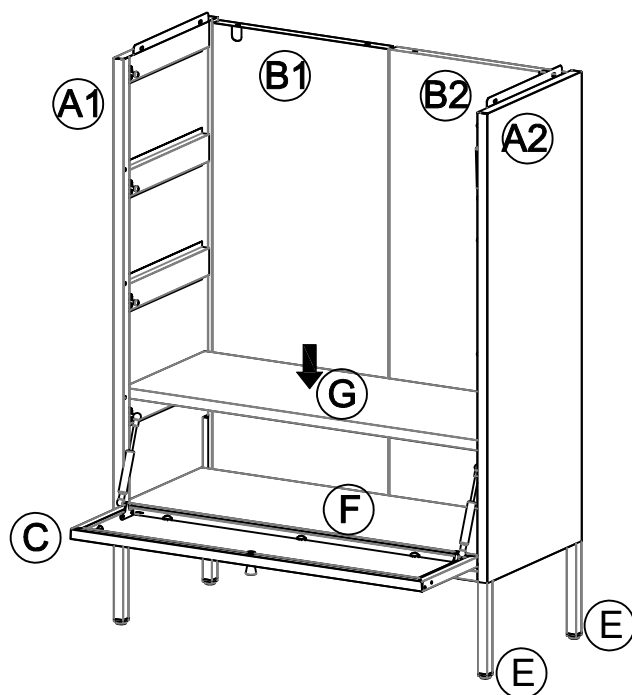


x4

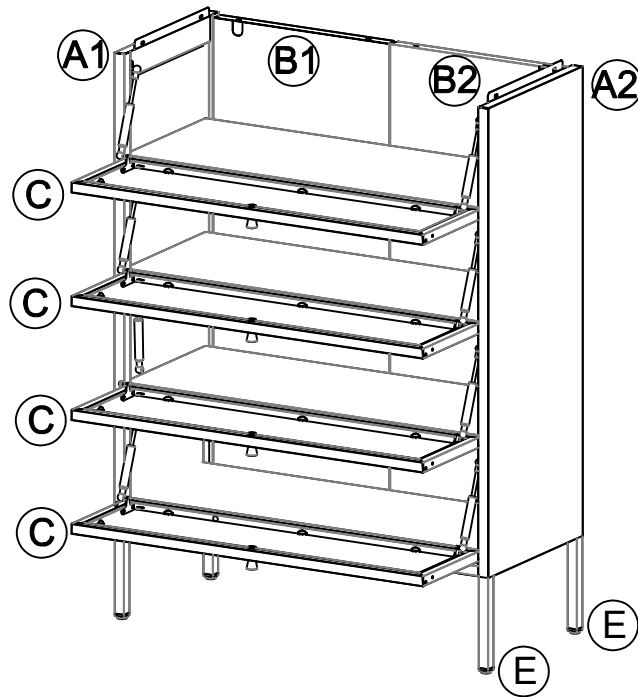
(8) - Attach (C) to pre-assembled unit as below shown.



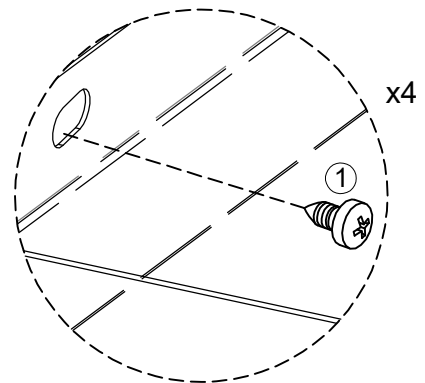
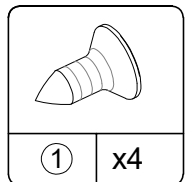
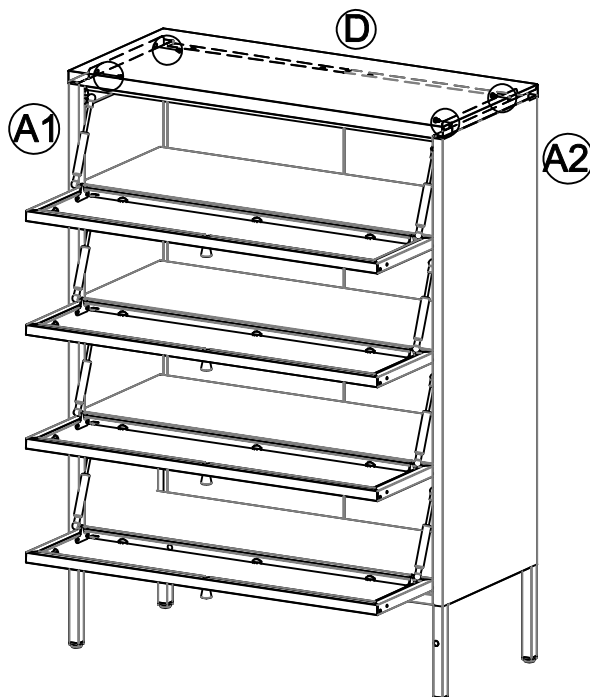
(9) - Attach (G) to pre-assembled unit as below shown.



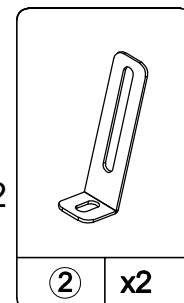
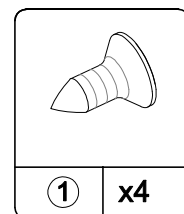
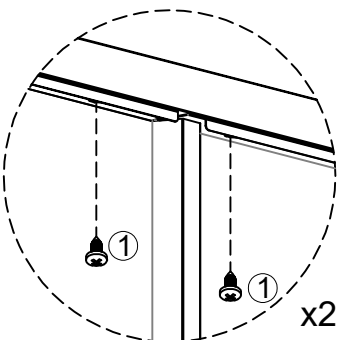
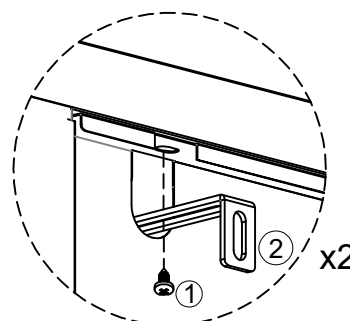
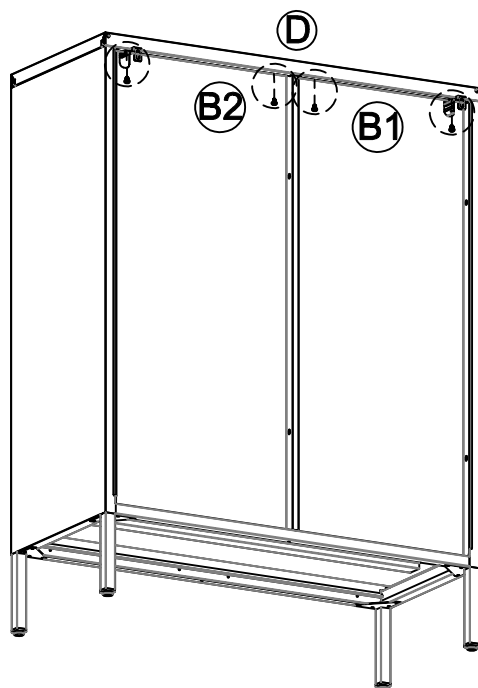
(10) - Attach (C) & (G) to pre-assembled unit as below shown.



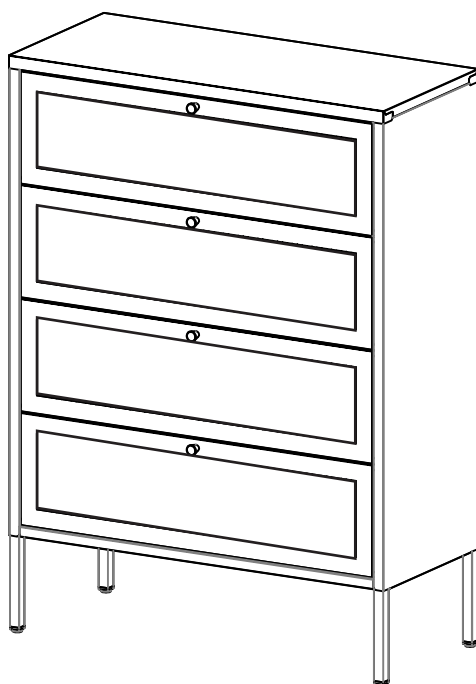
(11) - Attach (D) to (A) as below shown.



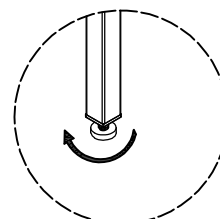
(12) - Attach (D) to (B) as below shown.



(13)



Gaps may appear between the top of the doors and the frame if the item is not on level ground; use the plastic foot cover to level.



(14)

