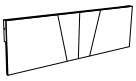
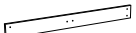
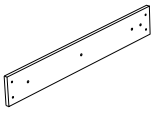
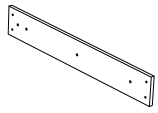
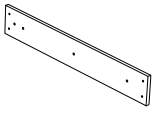




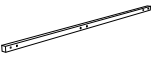
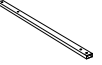

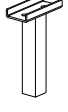


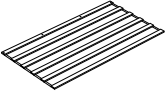
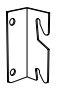




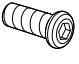
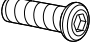
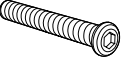
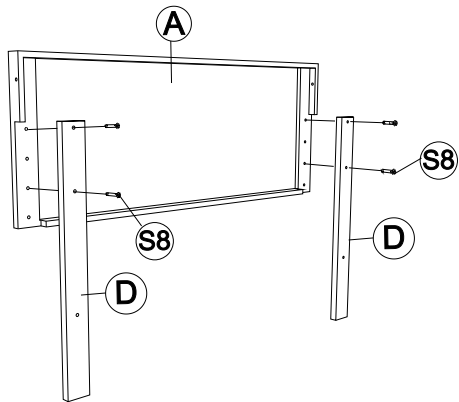
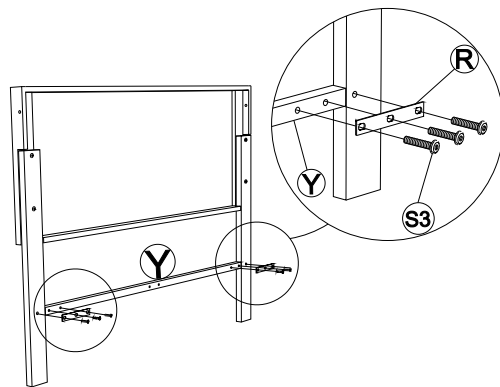


<b>A</b>  1pc	<b>B</b>  1pc	<b>C1</b>  1pc	<b>C2</b>  1pc	<b>C3</b>  2pcs
<b>D</b>  2pcs	<b>E</b>  4pcs	<b>G1</b>  1pc	<b>G2</b>  1pc	<b>Y</b>  1pc
<b>I</b>  2pcs	<b>O</b>  2pcs	<b>P</b>  1pc	<b>F</b>  2pcs	<b>X</b>  2pcs
<b>J</b>  2pcs	<b>Z1</b>  1pc	<b>Z2</b>  1pc	<b>L</b>  2pcs	<b>R</b>  2pcs
<b>V1</b>  1pc	<b>S3</b>  M8*22MM 34pcs	<b>S5</b>  M8*32MM 16pcs	<b>S8</b>  M8*47MM 16pcs	

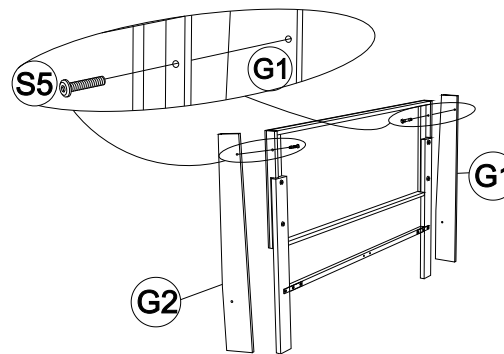
**Step 1** S8 M8\*47MM 4PCS



**Step 2** S3 M8\*22MM 6PCS

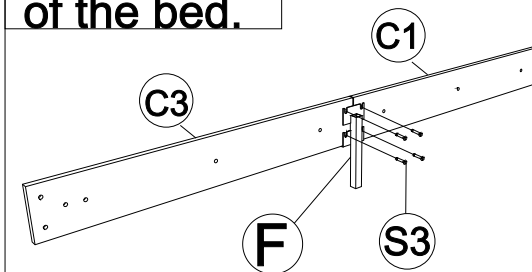


**Step 3** S5 M8\*32MM 2PC



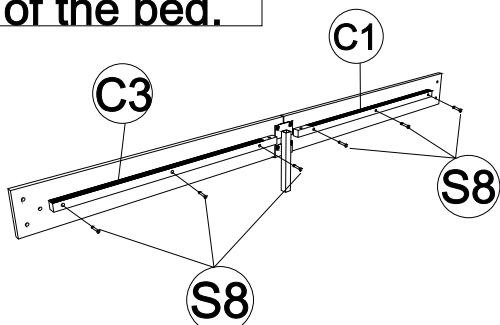
**Step 4** S3 M8\*22MM 4PCS

The left side of the bed.



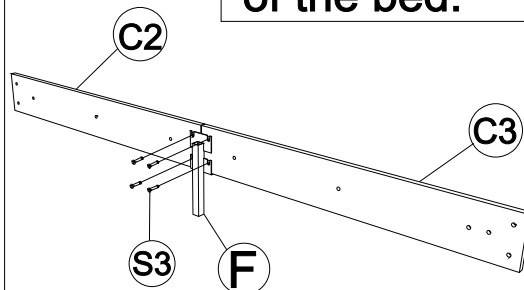
**Step 5** S8 M8\*47MM 6PCS

The left side of the bed.



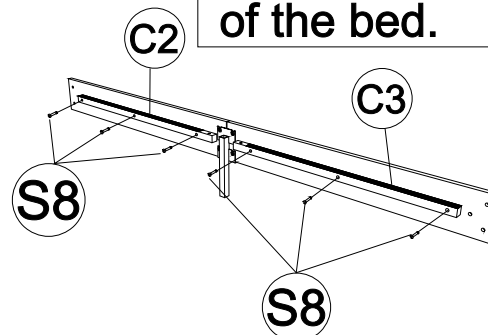
**Step 6** S3 M8\*22MM 4PCS

The right side of the bed.

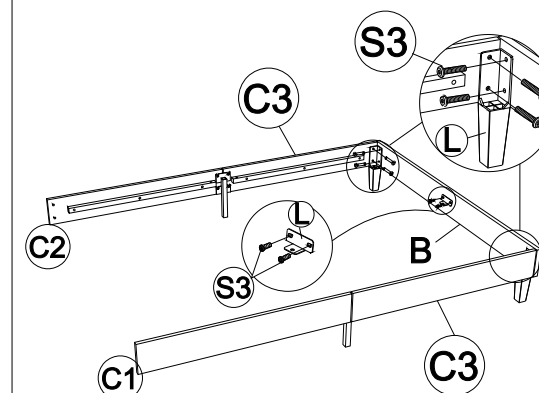


**Step 7** S8 M8\*47MM 6PCS

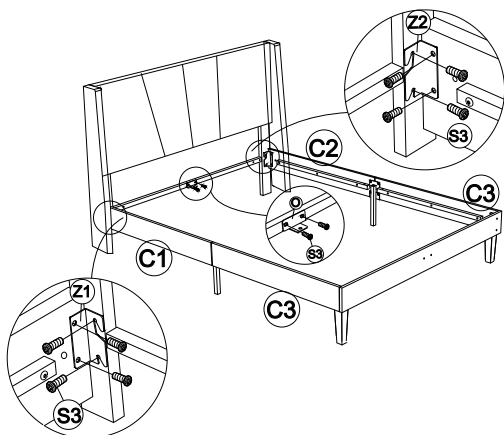
The right side of the bed.



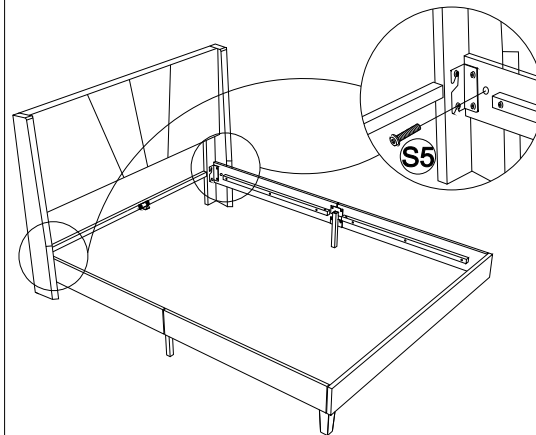
**Step 8** S3 M8\*22MM 10PCS



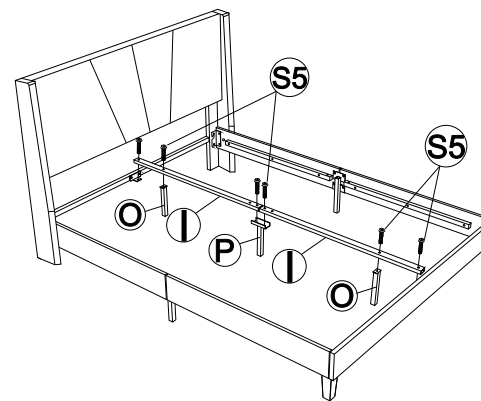
**Step 9** S3 M8\*22MM 10PCS



**Step 10** S5 M8\*32MM 2PCS



**Step 11** S5 M8\*32MM 6PCS



**Step 12** S5 M8\*32MM 6PCS

