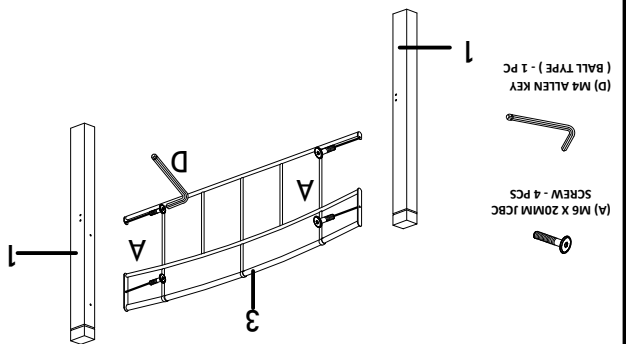


ASSEMBLY INSTRUCTION

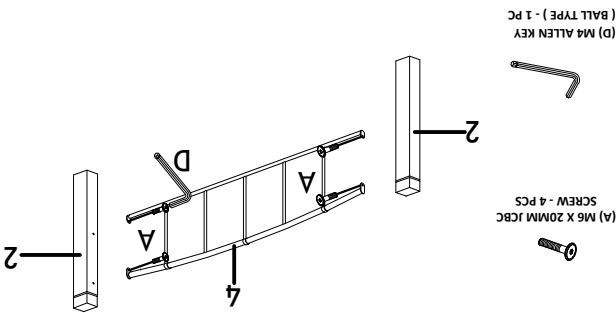
MODEL : IFU MINDY TWIN BED (Metal Slat) - 2 Side Legs

Before you begin, please follow Assembly Instruction carefully. Follow them step by step.

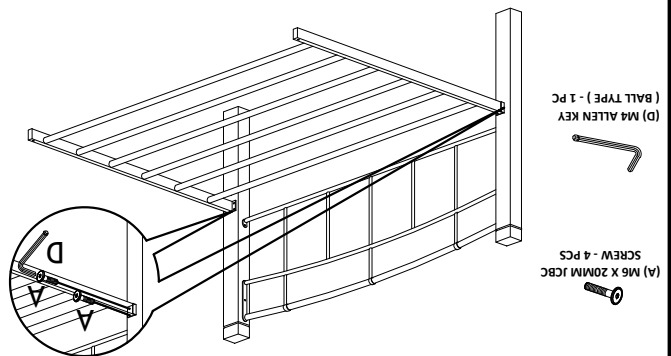
STEP 1



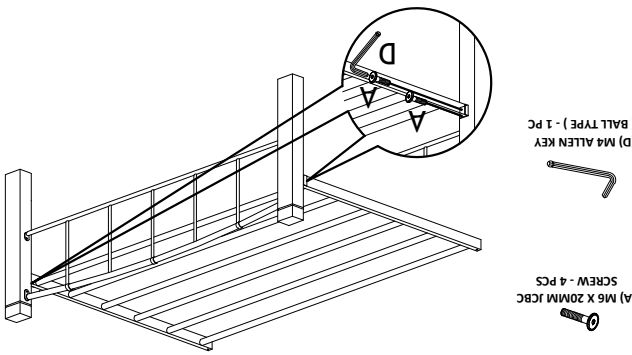
STEP 2



STEP 3



STEP 4

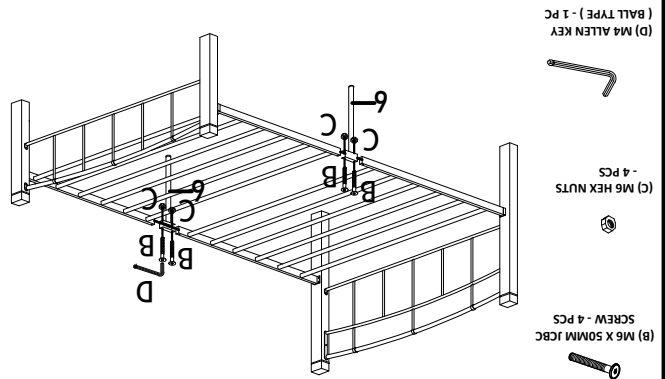


ASSEMBLY INSTRUCTION

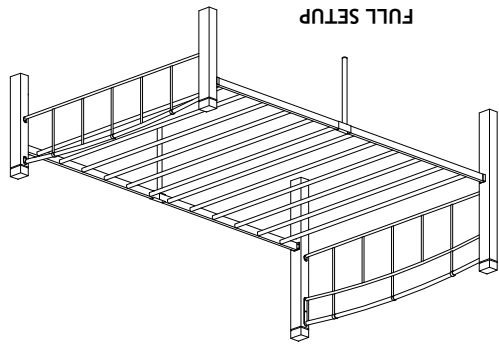
MODEL : IFU MINDY TWIN BED (Metal Slat) - 2 Side Legs

Before you begin, please follow Assembly Instruction carefully. Follow them step by step.

STEP 5



FULL SETUP



HARDWARE LIST

1) HEAD POST X 2 PCS		2) FOOT POST X 2 PCS	
3) HEADBOARD X 1 PC		4) FOOTBOARD X 1 PC	
5) CENTER RAIL X 2 PCS	6) SIDE LEGS X 2 PCS	7) CENTER LEGS X 4 PCS	8) METAL BED BASE X 2 SETS
(A) M6 X 20MM JCBC SCREW - 4 PCS		(B) M6 X 50MM JCBC SCREW - 4 PCS	
(C) M6 HEX NUTS - 4 PCS		(D) M4 ALLEN KEY (BALL TYPE) X 1 PC	

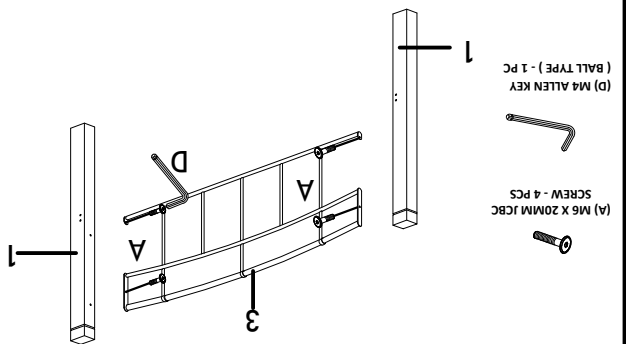
PART LIST

ASSEMBLY INSTRUCTION

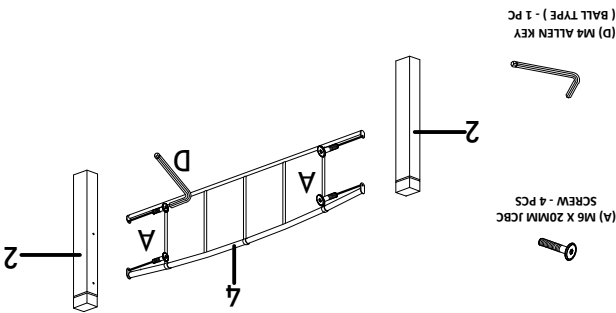
MODEL : IFU MINDY TWIN BED (Metal Slat) - 2 Side Legs

Before you begin, please follow Assembly Instruction carefully. Follow them step by step.

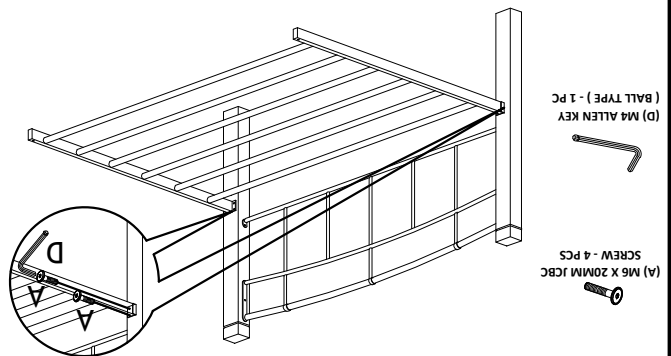
STEP 1



STEP 2



STEP 3



STEP 4

