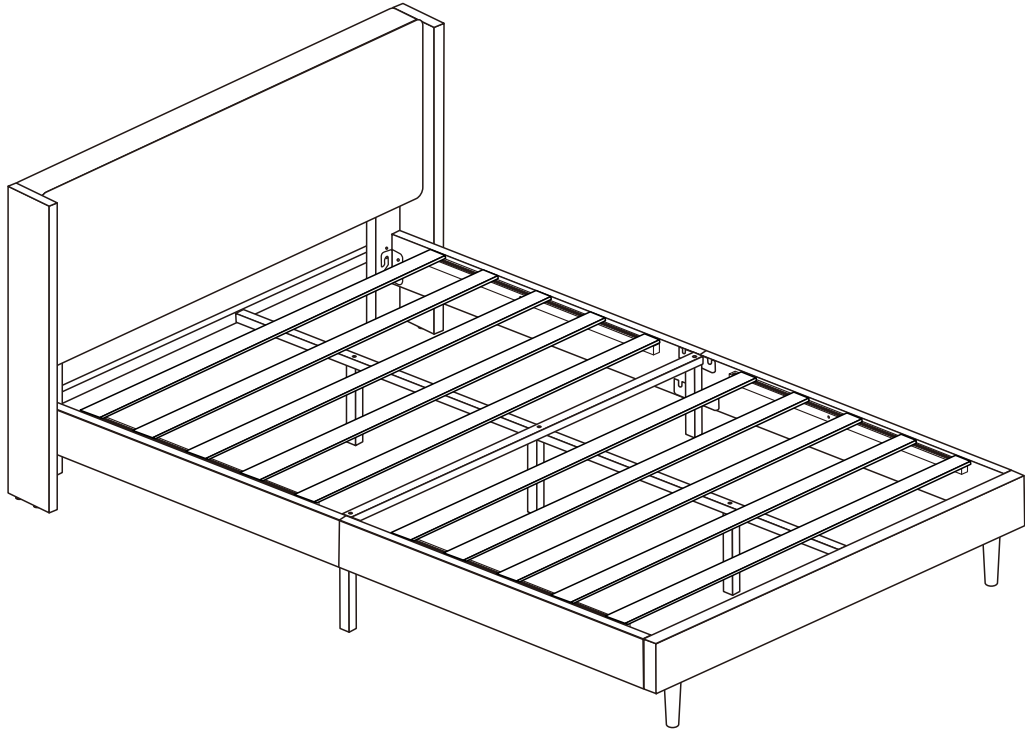
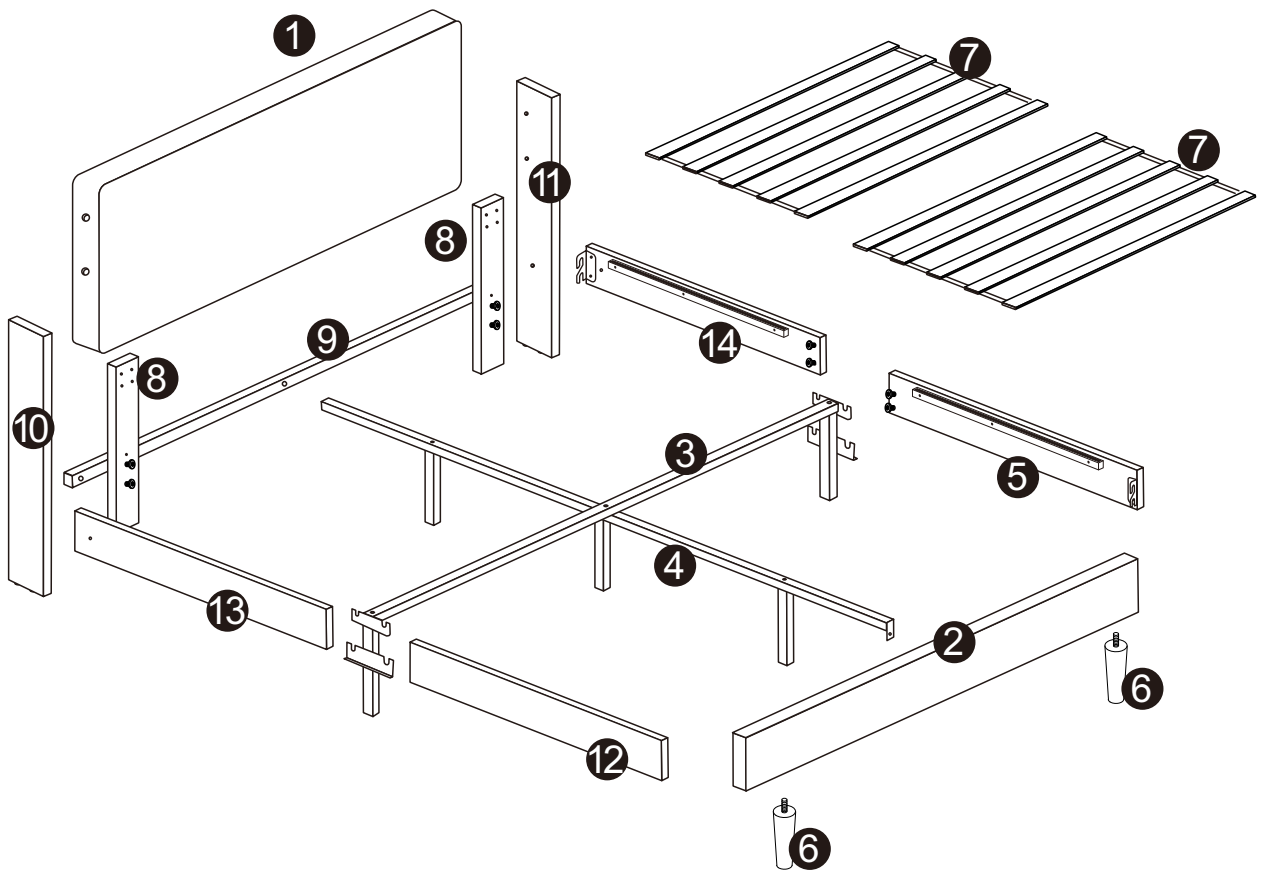


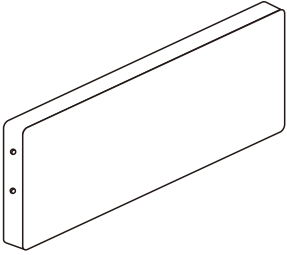
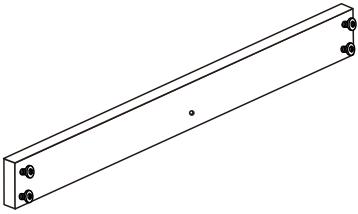
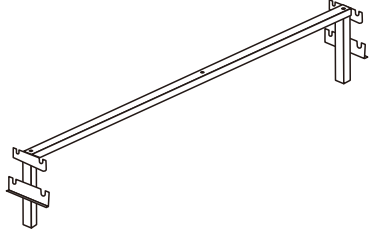
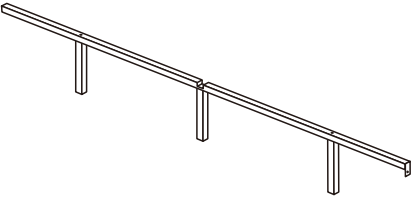
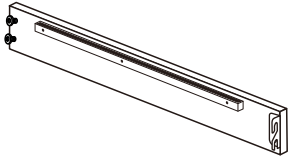

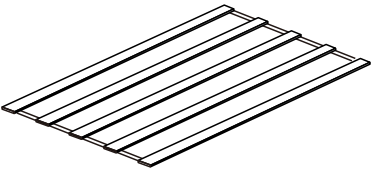

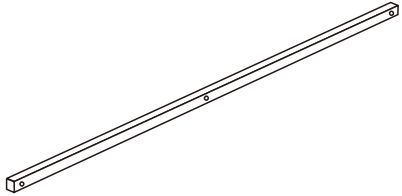


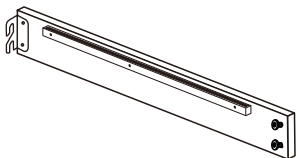
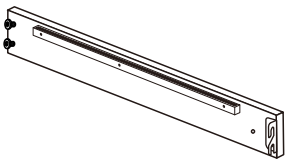
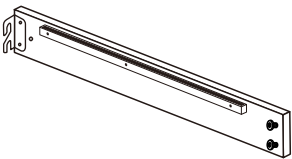
Installation Manual of Bed

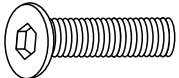
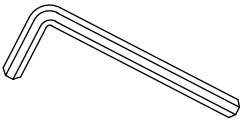


IMPORTANT NOTE

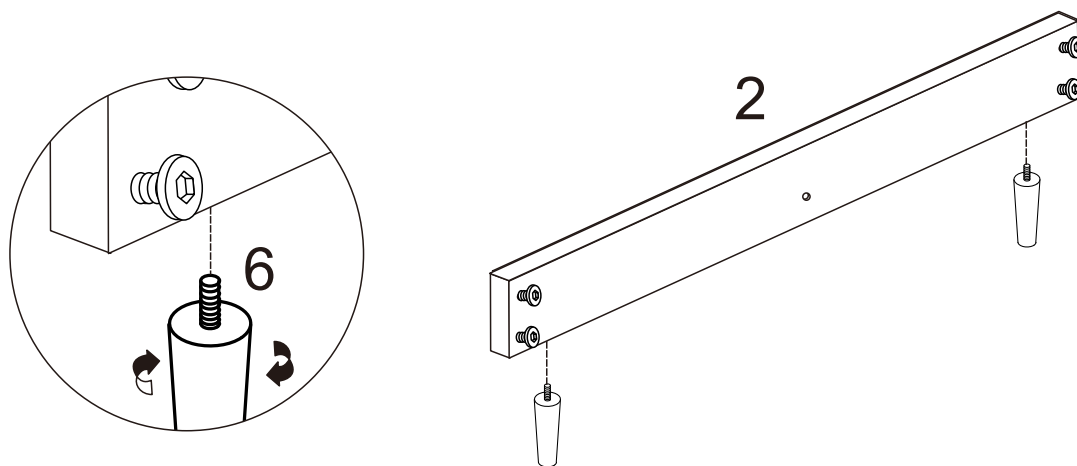
1. Please check that all parts are complete before installation.
2. Please strictly follow the installation steps to install.
3. Please install the bed on a clean and smooth surface to prevent any damage.
4. Please do not use the power tools to assemble the bed.
5. Please periodically check all the fittings and re-tighten as necessary.
6. Please do not use the bed unless all bolts and screw are firmly secured.
7. Please contact us if you need any help, we will reply you in six hours.



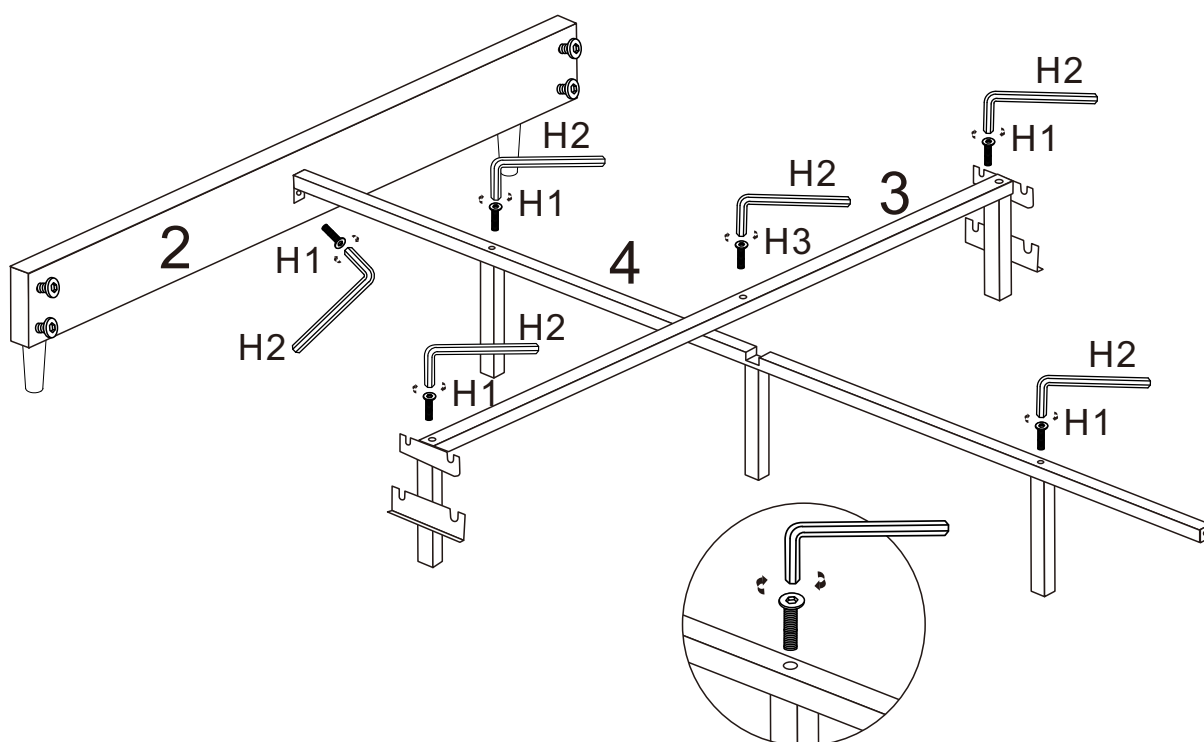
PART LIST		
<p>(1)Headboard panel x 1pcs</p> 	<p>(2)Tailboard x 1pcs</p> 	<p>(3)Transverse center x 1pcs</p> 
<p>(4)Center support bar x 1pcs</p> 	<p>(5)Side panel x 1pcs</p> 	<p>(6)Leg with anti-slip gasket x 2pcs</p> 
<p>(7)Slat x 2pcs</p> 	<p>(8)Headboard support x 2pcs</p> 	<p>(9)Headstock bar x 1pcs</p> 
<p>(10)Bed stack x 1pcs</p> 	<p>(11)Bed stack x 1pcs</p> 	<p>(12)Side panel x 1pcs</p> 
<p>(13)Side panel x 1pcs</p> 	<p>(14)Side panel x 1pcs</p> 	

PART LIST		
<p>(H1)Bolt M8x35mm x22pcs Bolt M8x20mm Spare parts x 1pcs (H3)Bolt M8x50mm x 2pcs</p> 	<p>(H2)Allen Key M5 x2pcs (installation tool)</p> 	

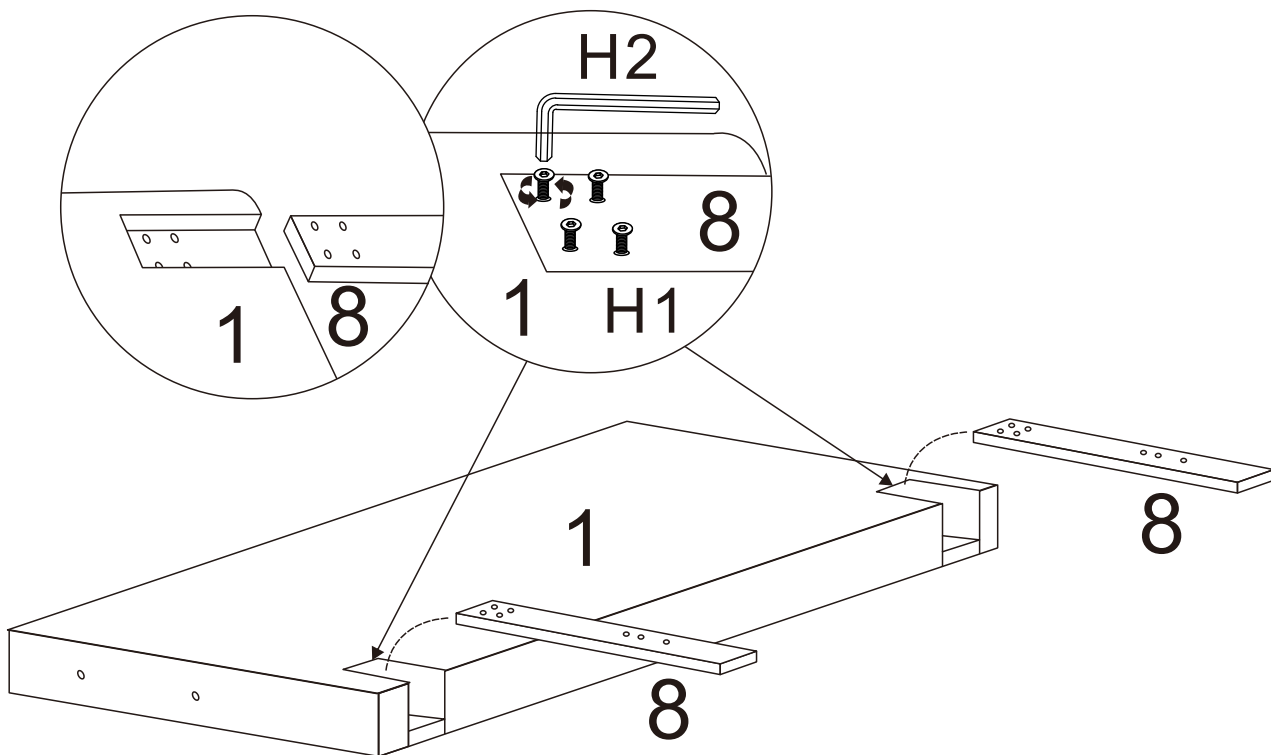
Step1 please install part (6) to part (2) separately



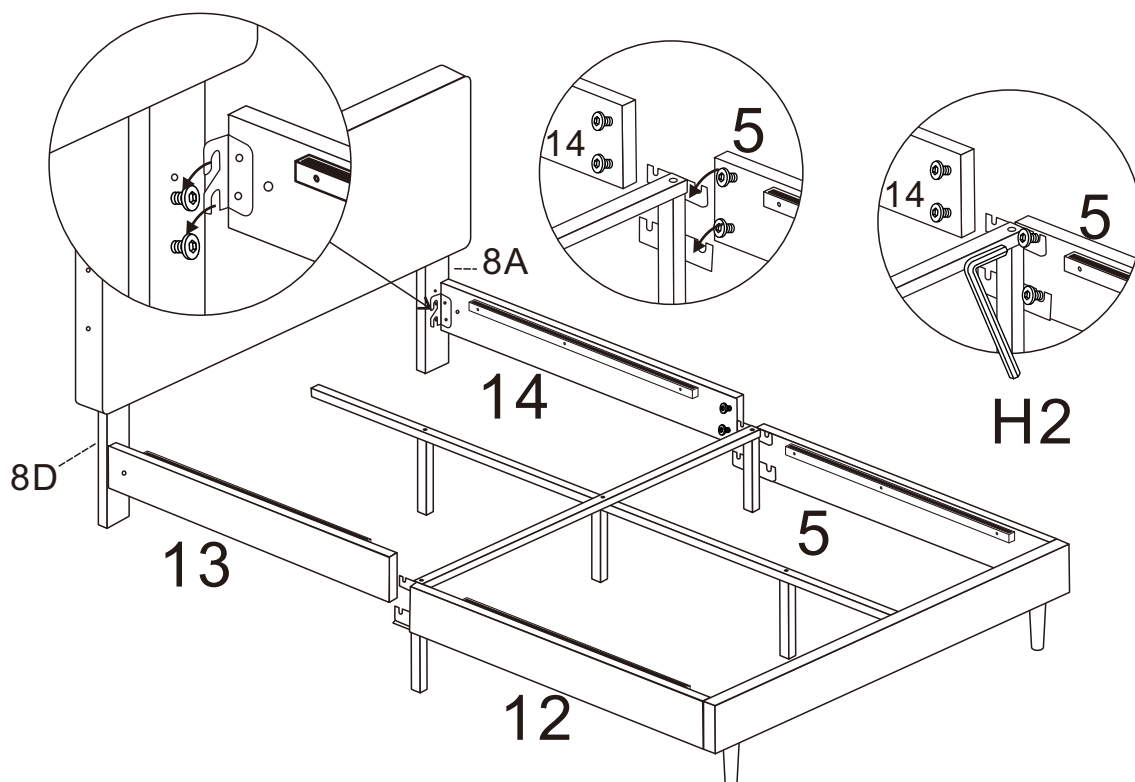
Step2 Please install part (2) and (3) on part (4) and tighten the blots (H1)



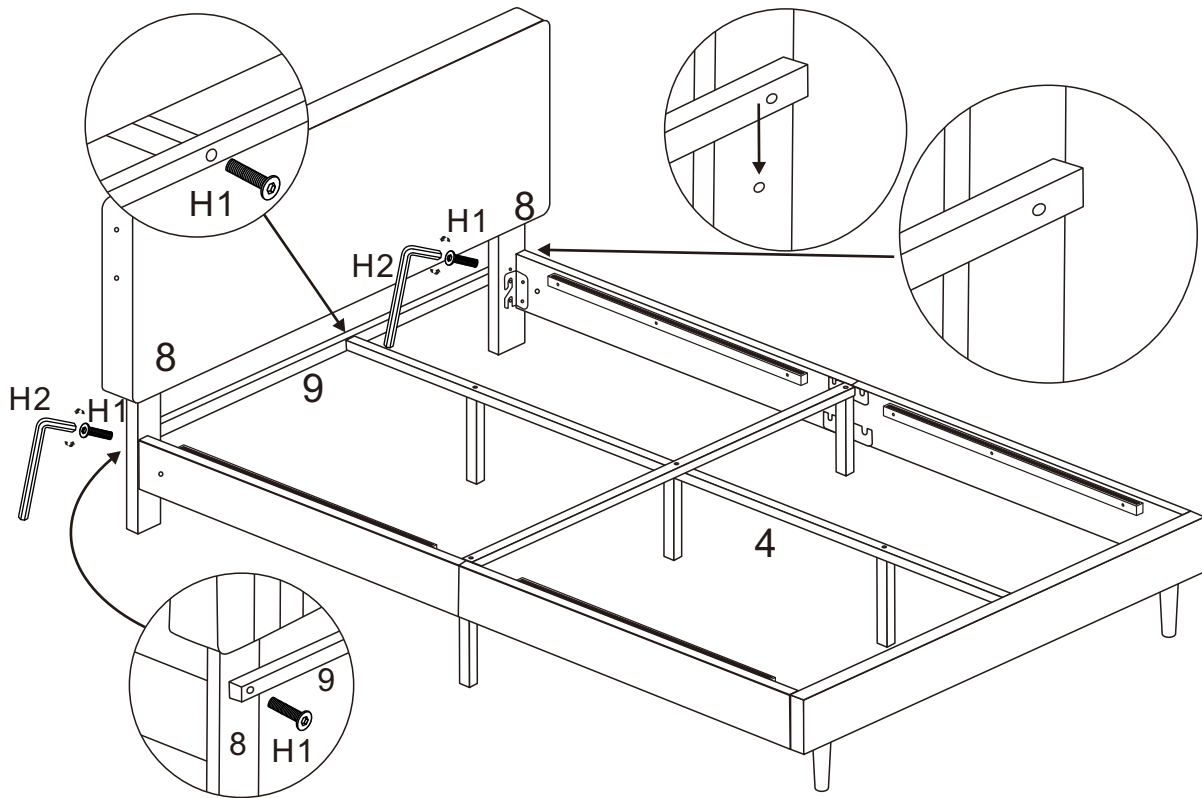
Step3 Lay the headboard (1) flat on the clean floor, put the headboard support frame (8) on it, and tighten it with (H1) and (H2)



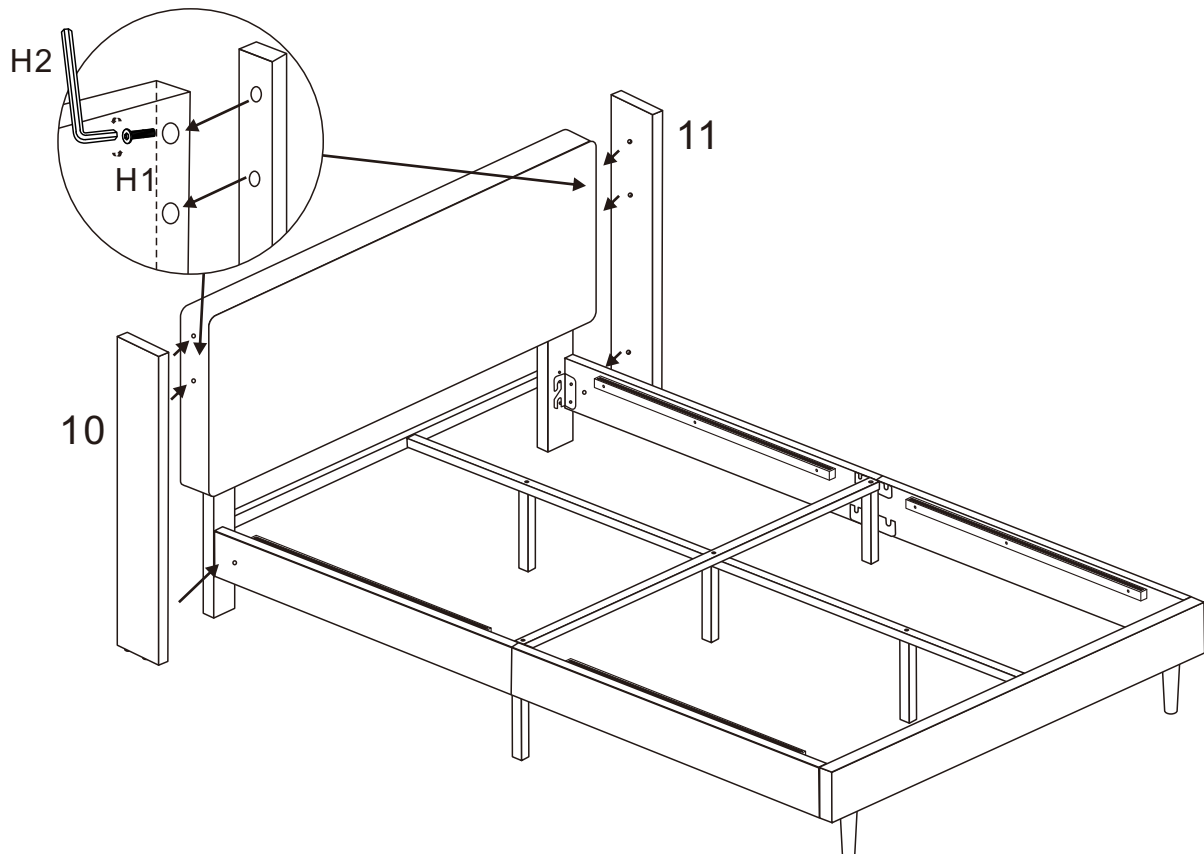
Step4 Please connect the corresponding headboard support (8) to the corresponding bed side board (13/14). The headboard support (8D) connects the bed side board (13) and the bed side board (12). The headboard support (8A) connects the bed side board (14) with the bed side panel (5), and then tighten the corresponding screws with (H2)



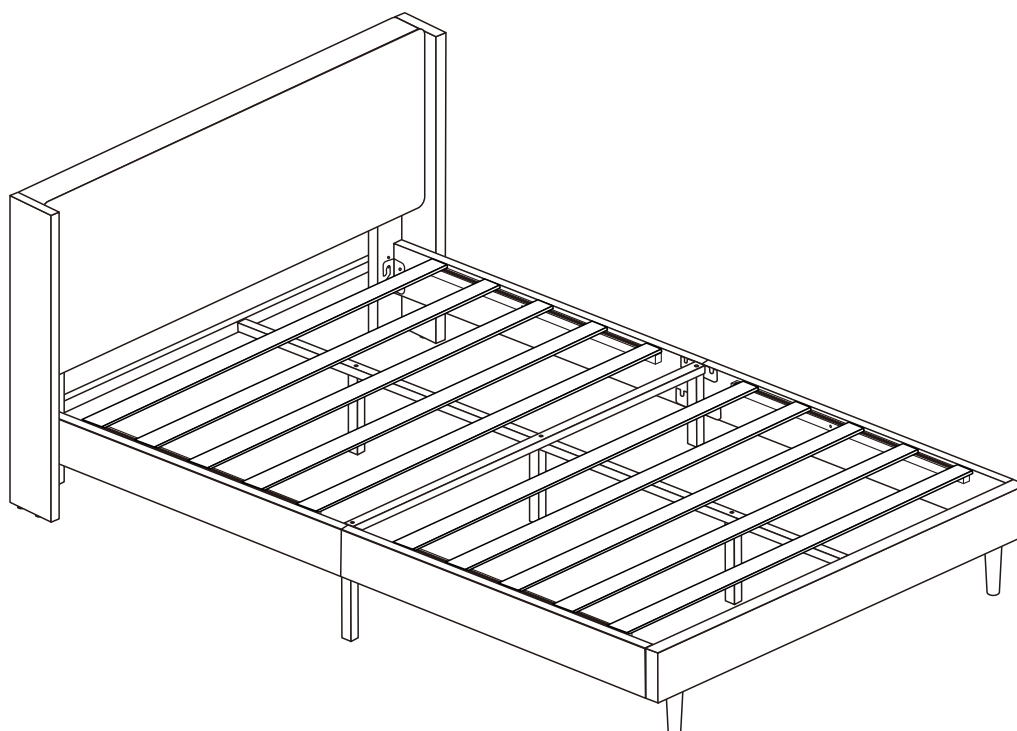
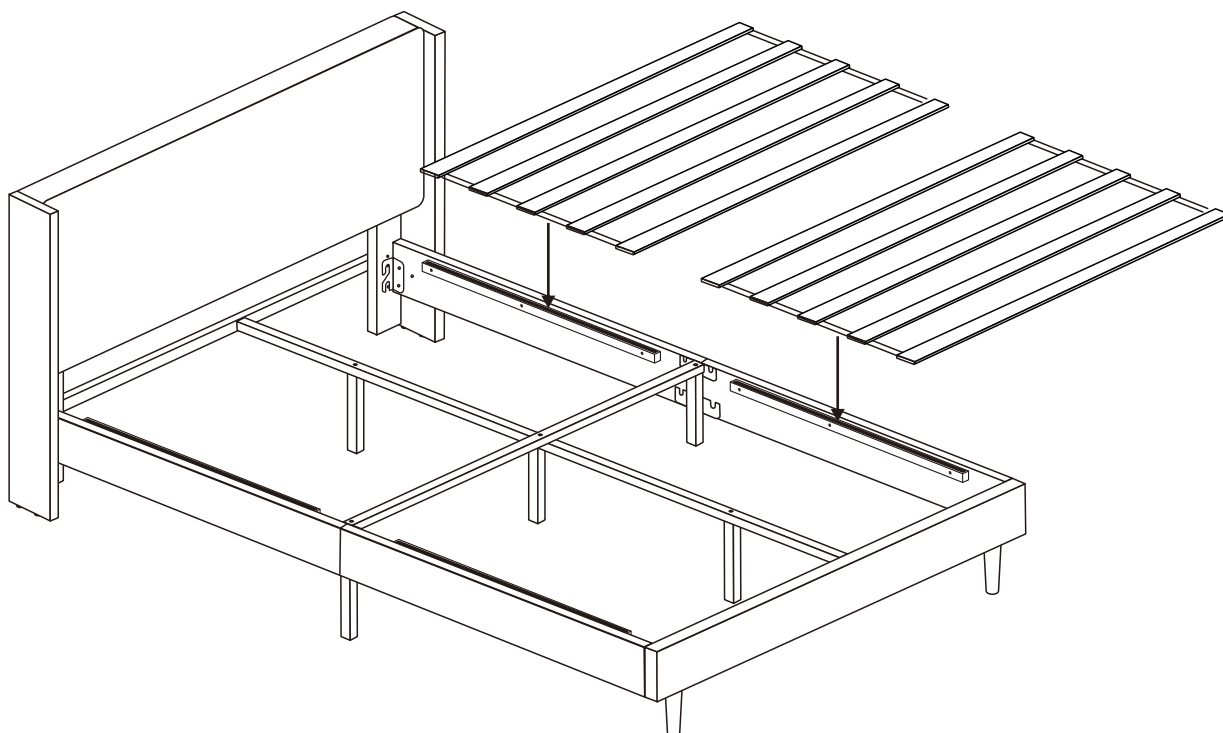
Step5 Please place the spindle box rod (9) behind the bedside support frame (8) and use (H1) to connect the center support rod (4) and the bedside support frame (8)

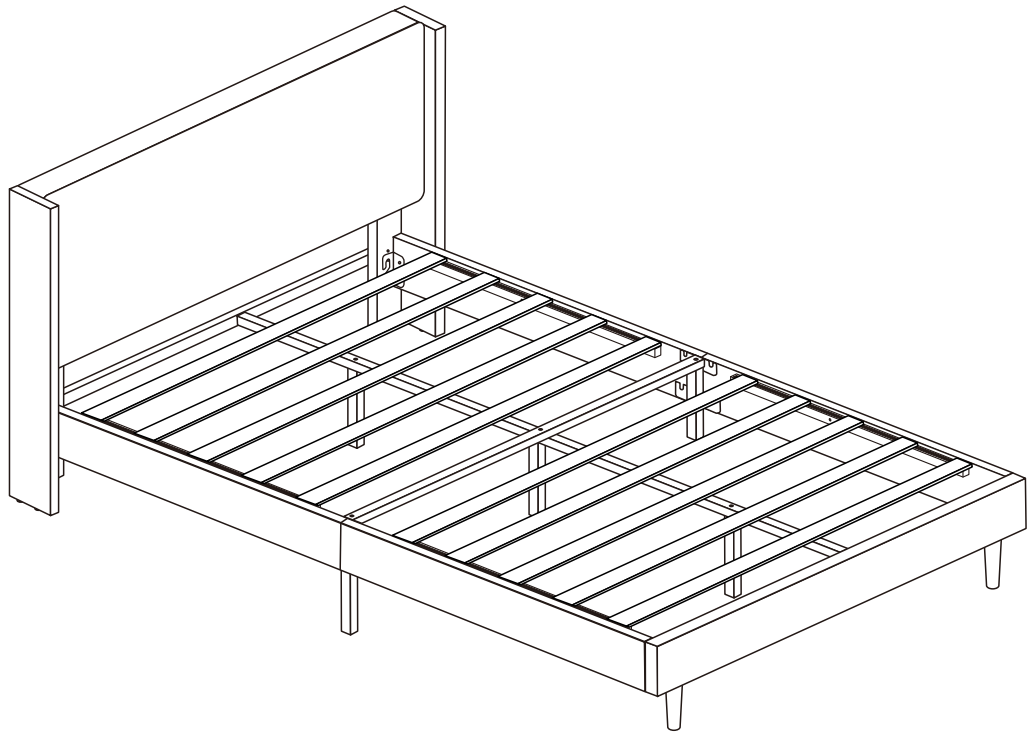


Step6 Snap the headboard side panels (10/11) to the side of the headboard from top to bottom



Step7 Attach the part (7) to the Velcro on the part (5)





Job complete!

In the interest of our environment, please dispose of all packaging thoughtfully, thanks!