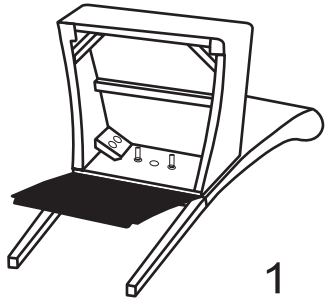


# Assemble Instruction

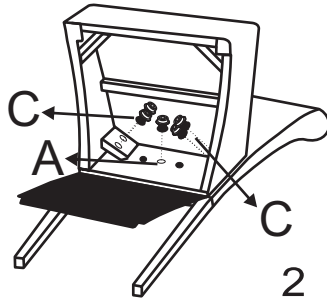
ROOMS  
TO GO ►

TEAE (WS5111-2851-WSC,WS5111-2851-WSB SIDE CHAIR,WS5111 DINING CHAIR)  
(SKU #42428513,42628517,42451118)



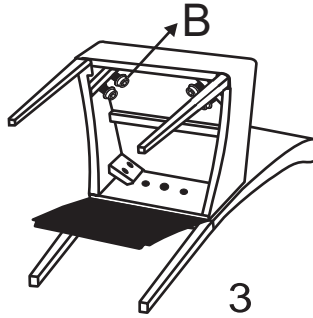
1

Put the locating pin into the hole



2

Put the screws in the holes, tight the screws, but not too tight, 90% is ok.



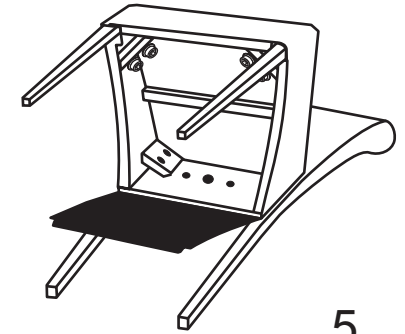
3

Put the screws in the holes, tight the screws, but not too tight, 90% is ok.



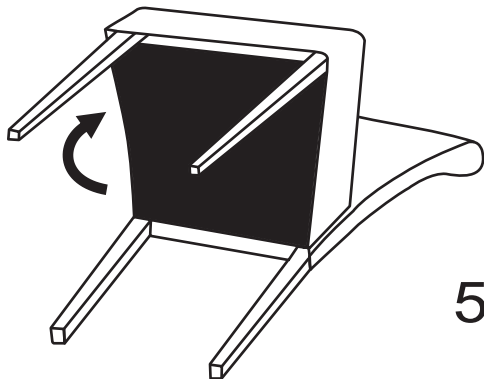
4

Then adjust the balance of the chair.



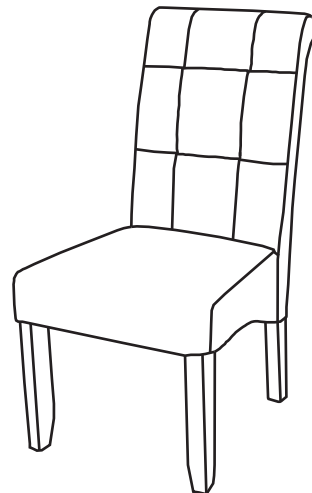
5

Tight all the screws to 100%

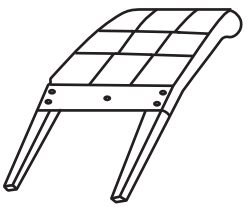









5

Stick the black part on the seat



6

			
Back x1	Seat x1	Leg x2	Locating pin x2
<b>A</b>  00	<b>B</b>  00	<b>C</b>  00	
Size:M8x1- $\frac{3}{4}$ 1PCS	Size:M8x2- $\frac{1}{8}$ 4PCS	Size:M8x3- $\frac{1}{8}$ 4PCS	M6 1PC