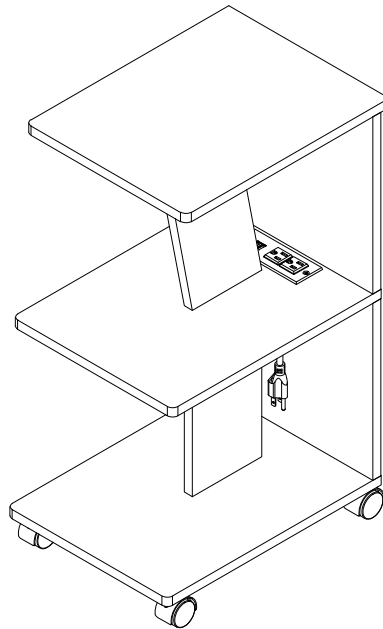
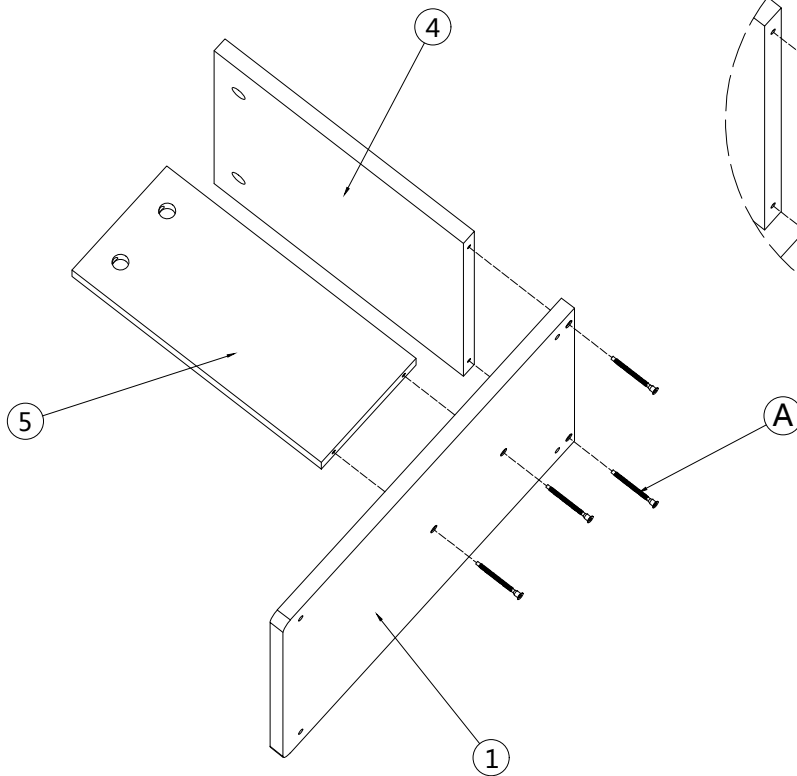
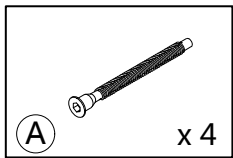
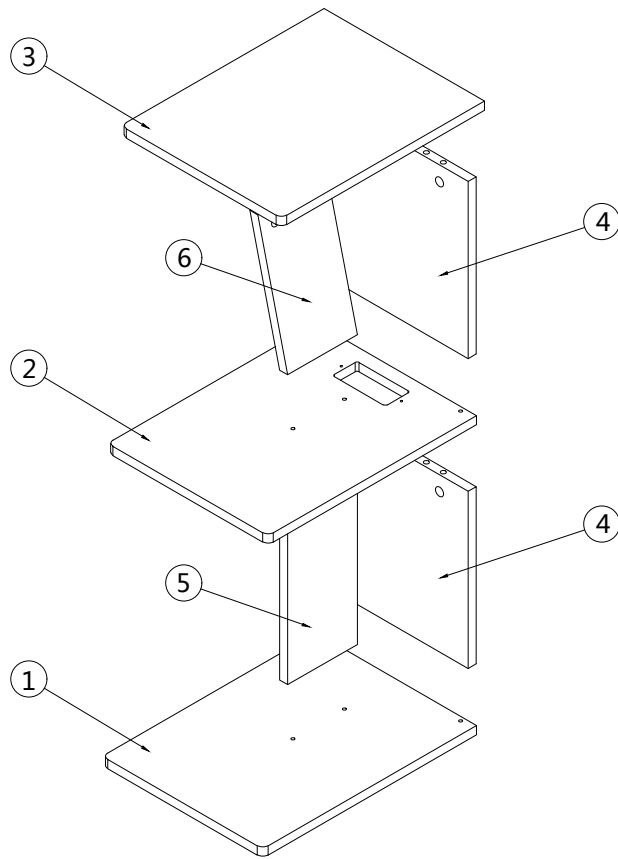


# Assembly Instruction

For: AZ00033 / AZ00034 / AZ00043

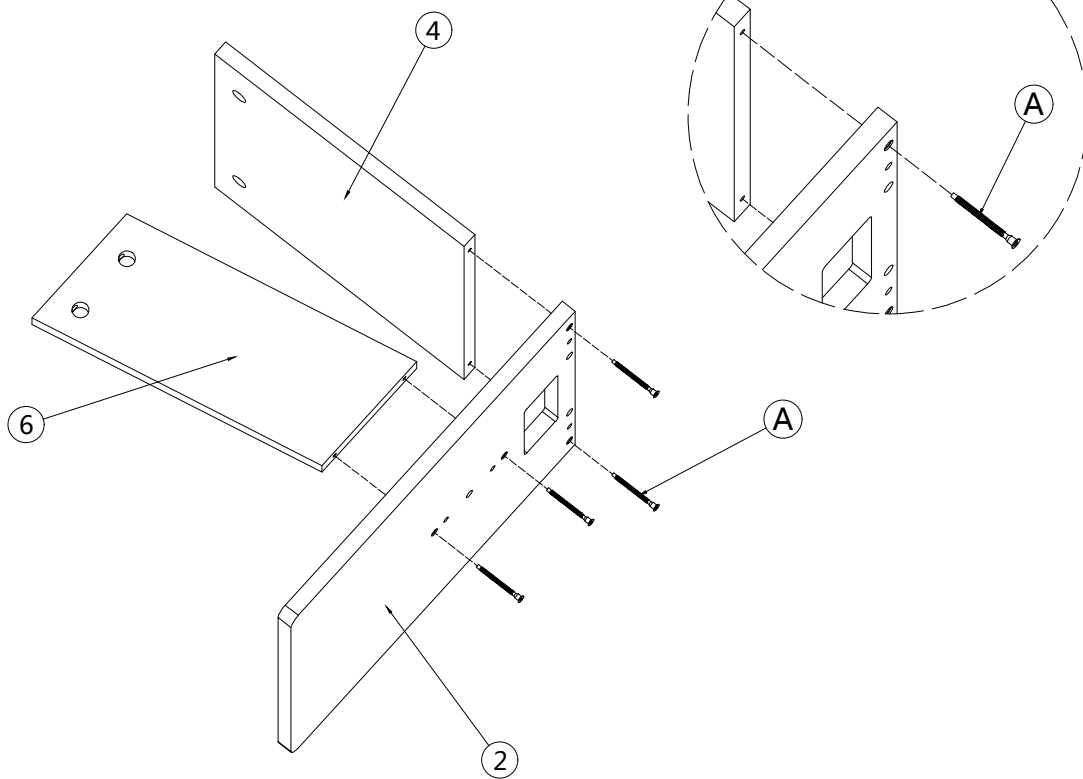


<p>①</p> <p>1</p>	<p>②</p> <p>1</p>	<p>③</p> <p>1</p>	<p>④</p> <p>2</p>	<p>⑤</p> <p>1</p>
<p>⑥</p> <p>1</p>	<p>A</p> <p>M5*50mm 8</p>	<p>B</p> <p>∅6.7*36mm 8</p>	<p>C</p> <p>∅15*11.7mm 8</p>	<p>D</p> <p>∅8*30mm 6</p>
<p>E</p> <p>1</p>	<p>F</p> <p>M3.5*12mm 2</p>	<p>G</p> <p>x 2</p> <p>x 2</p>	<p>H</p> <p>4</p>	<p>1</p>
<p>1</p>	<p>S3 1</p>			



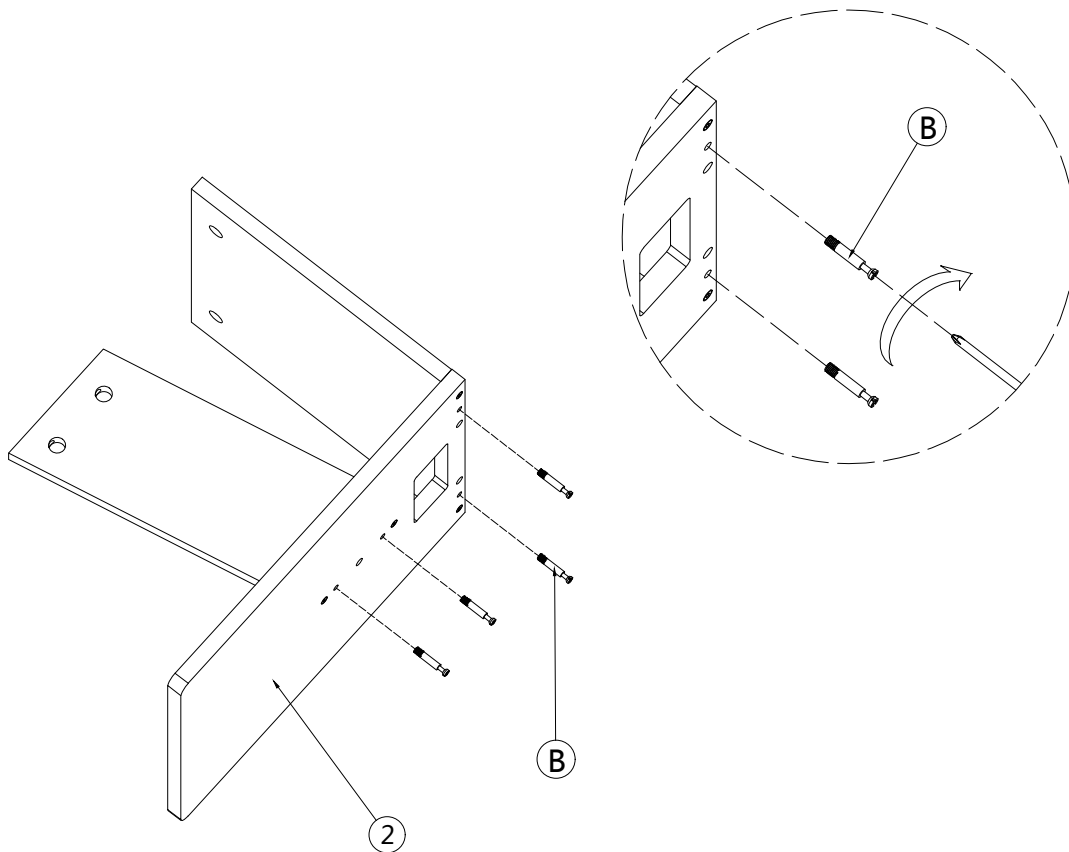
A

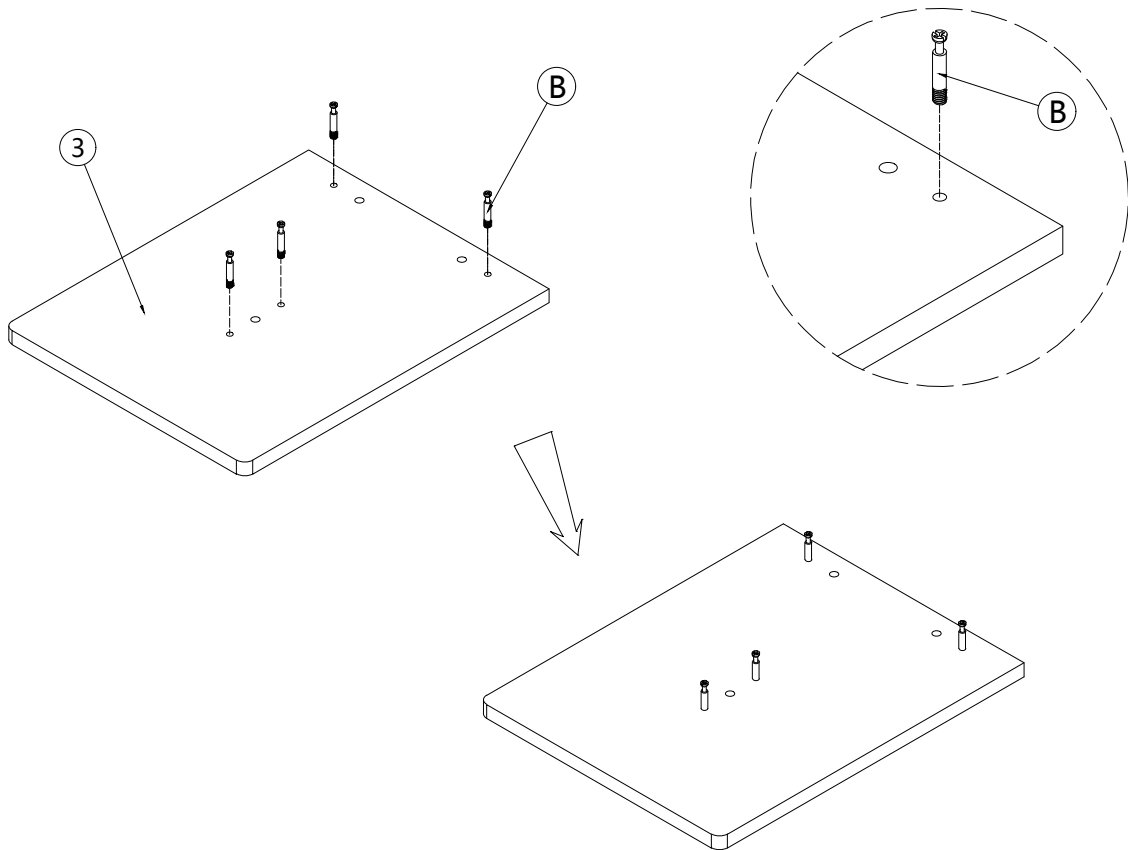
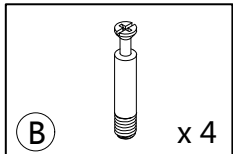
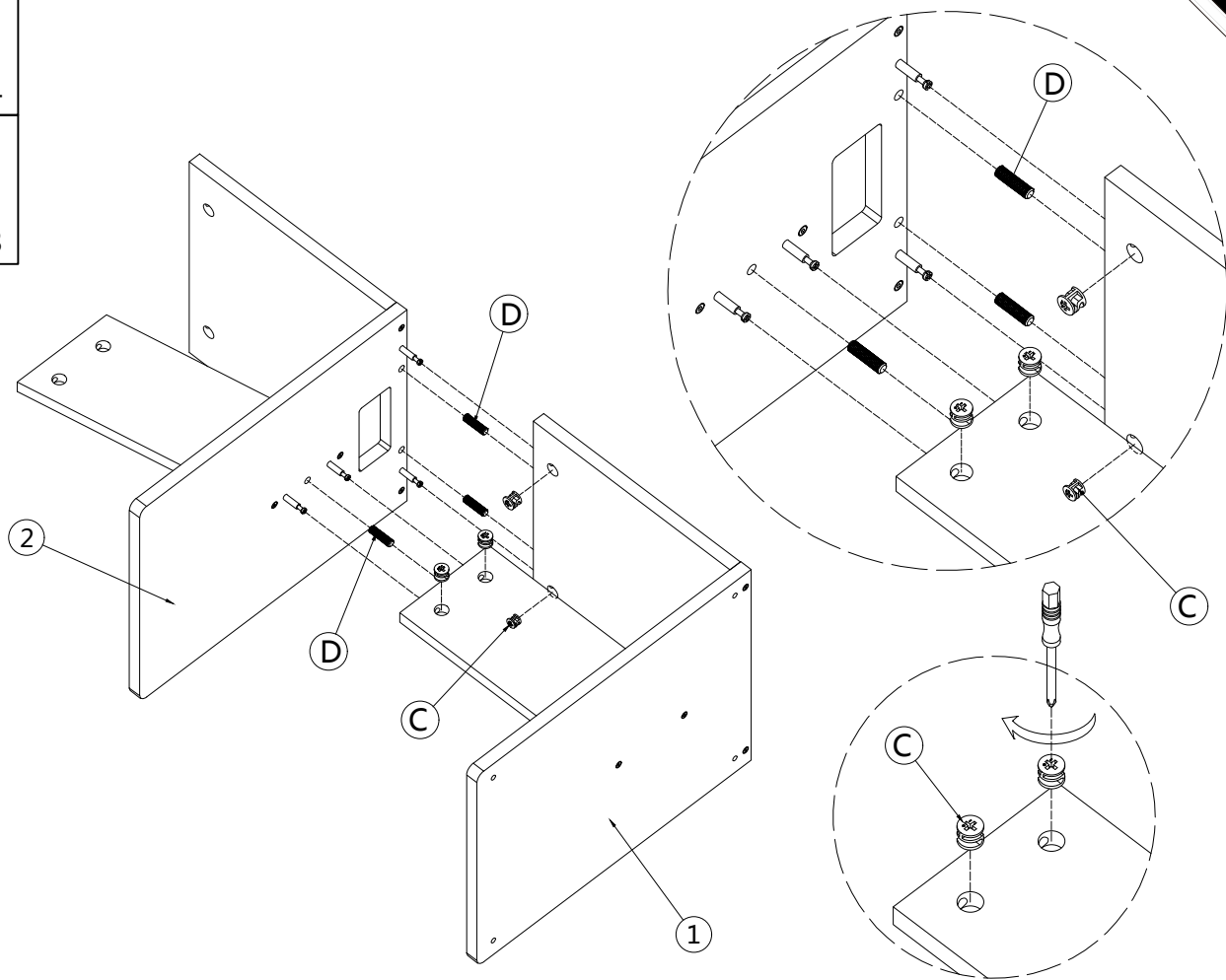
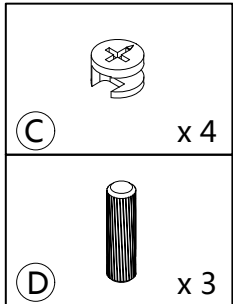
x 4



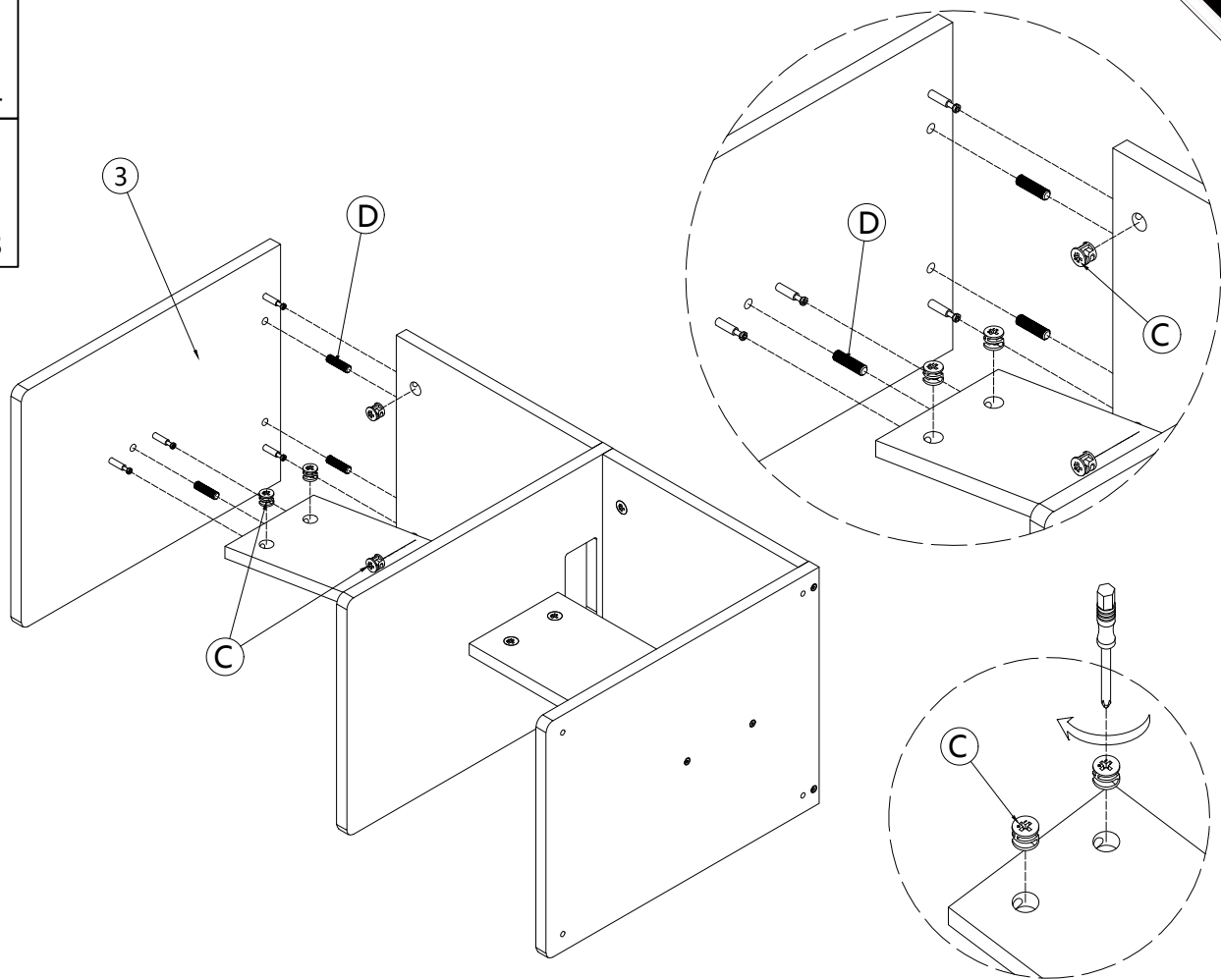
B

x 4

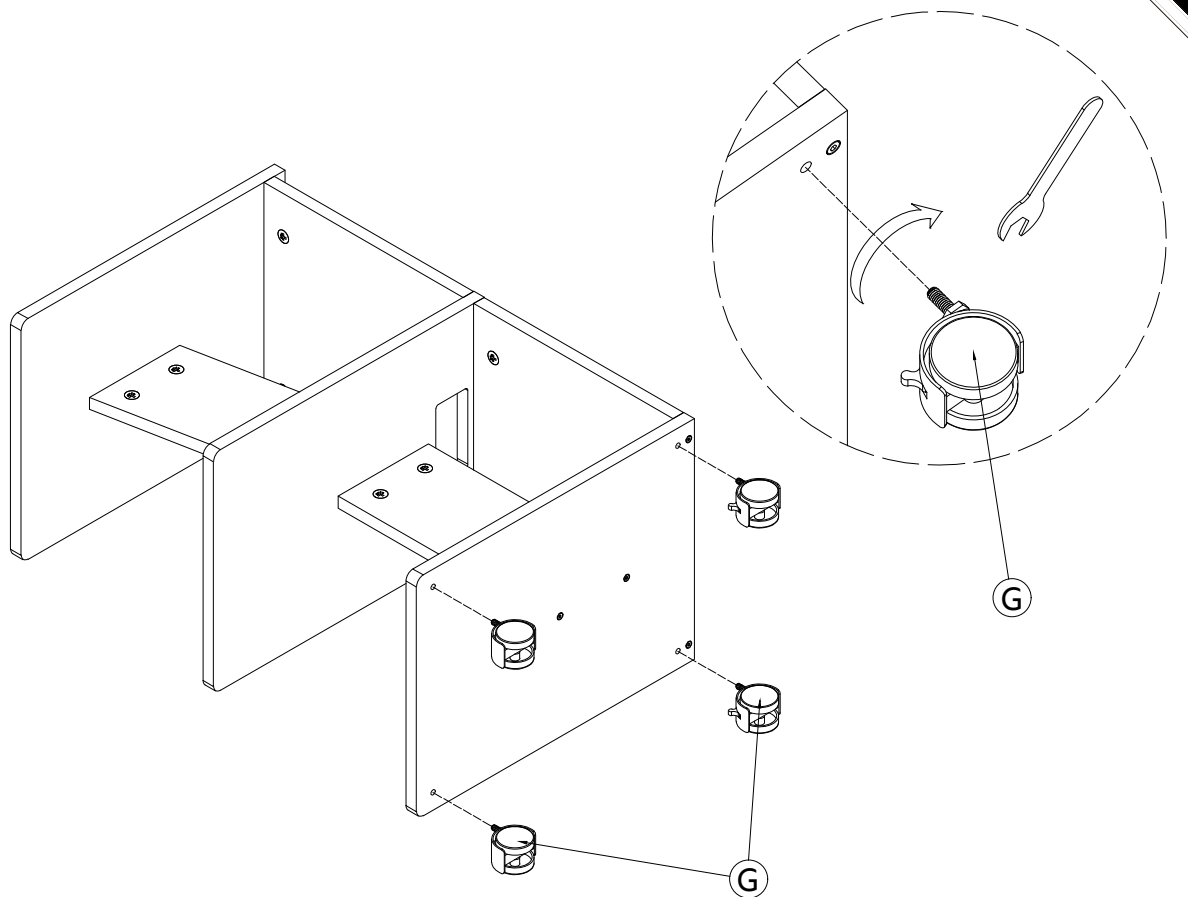




- C** x 4
- D** x 3



- G** x 2
- G** x 2

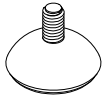
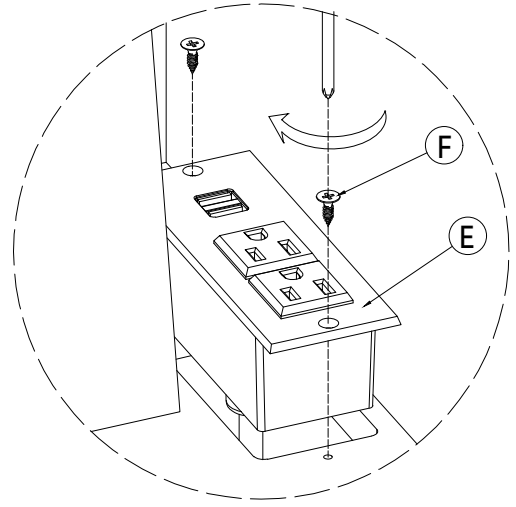
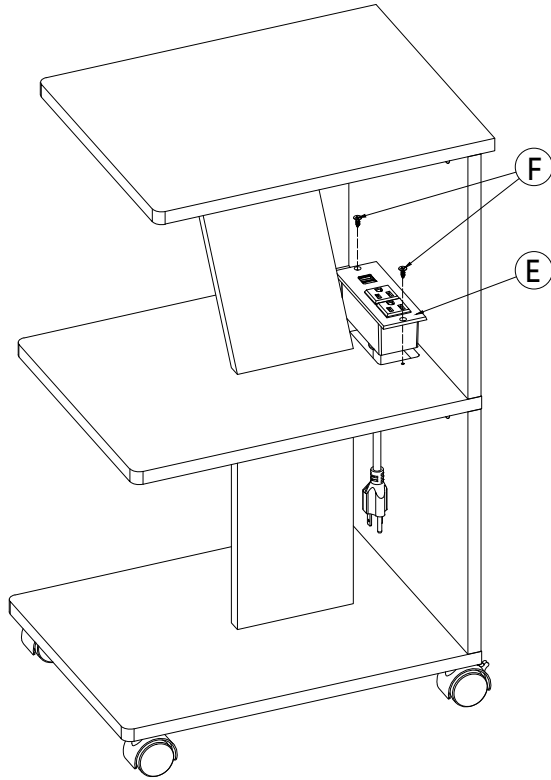




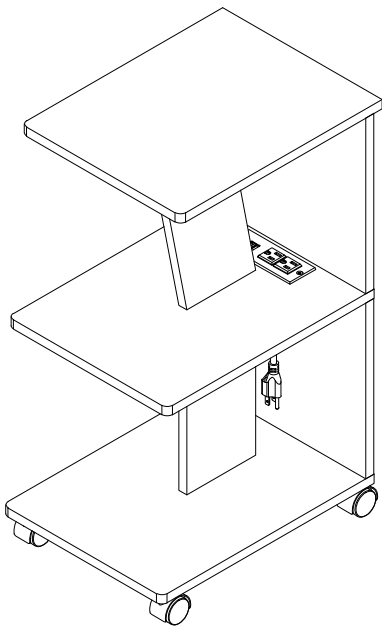
E x 1



F x 2

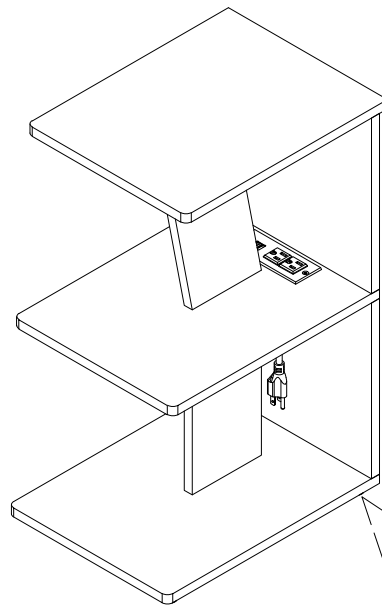


H x 4



Type One

OR



Type Two

