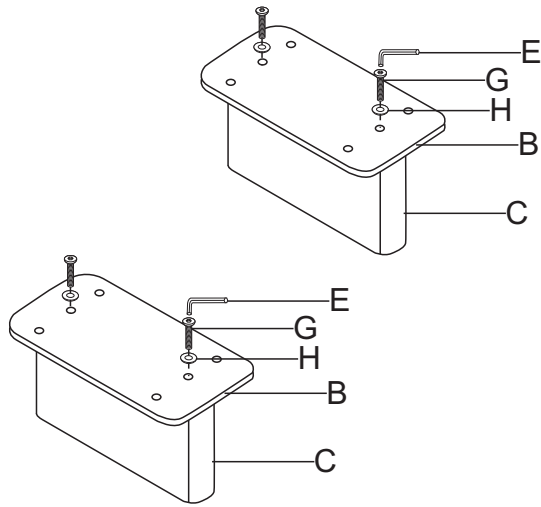
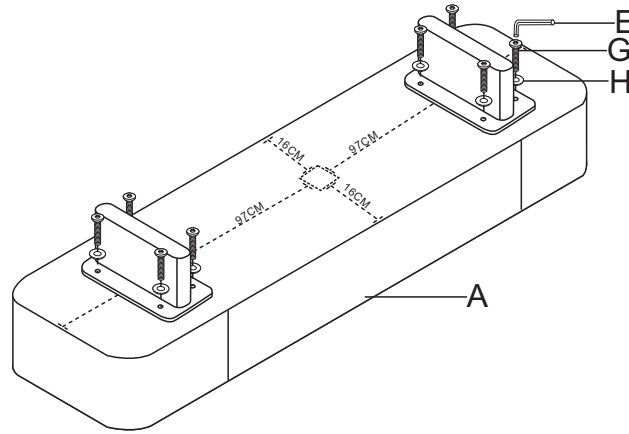


ASSEMBLY INSTRUCTION

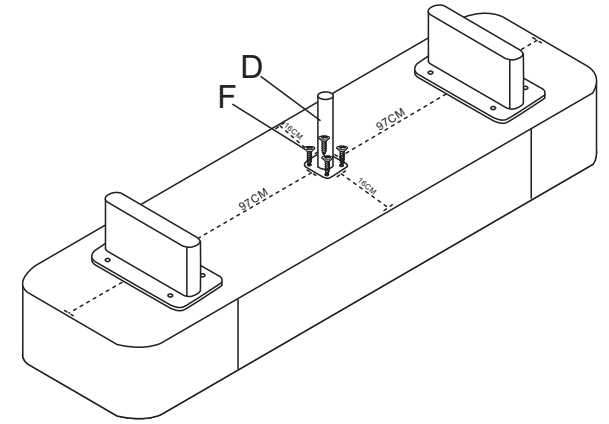
1.



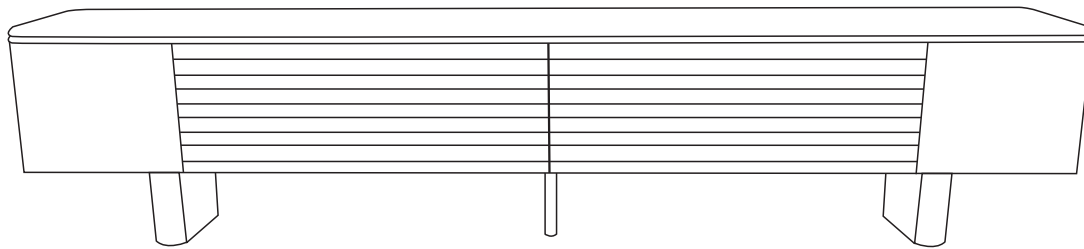
2.



3.



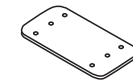
4.



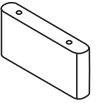
Ax1



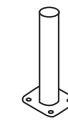
Bx2



Cx2



Dx1



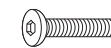
Ex1



Fx4



Gx12



Hx12

