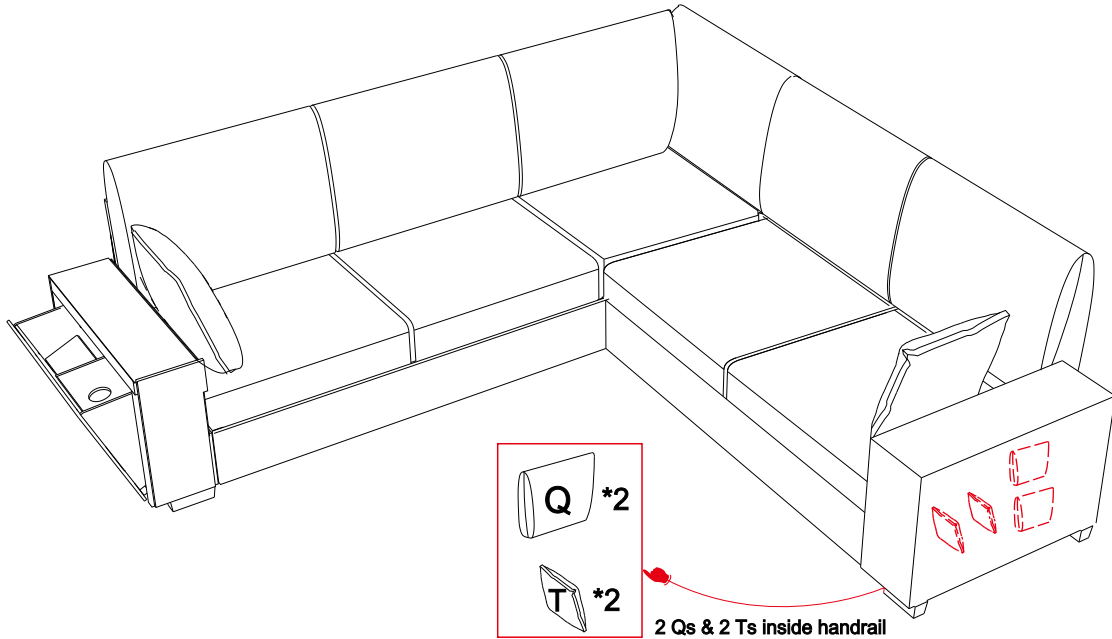
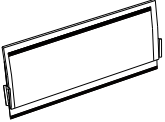
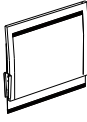
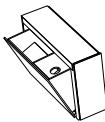
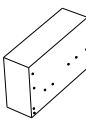
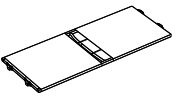
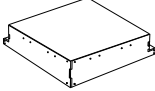
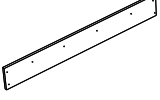
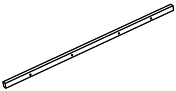

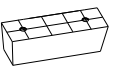

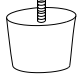
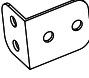

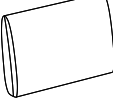
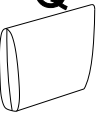
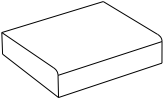
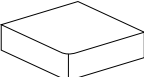

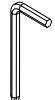






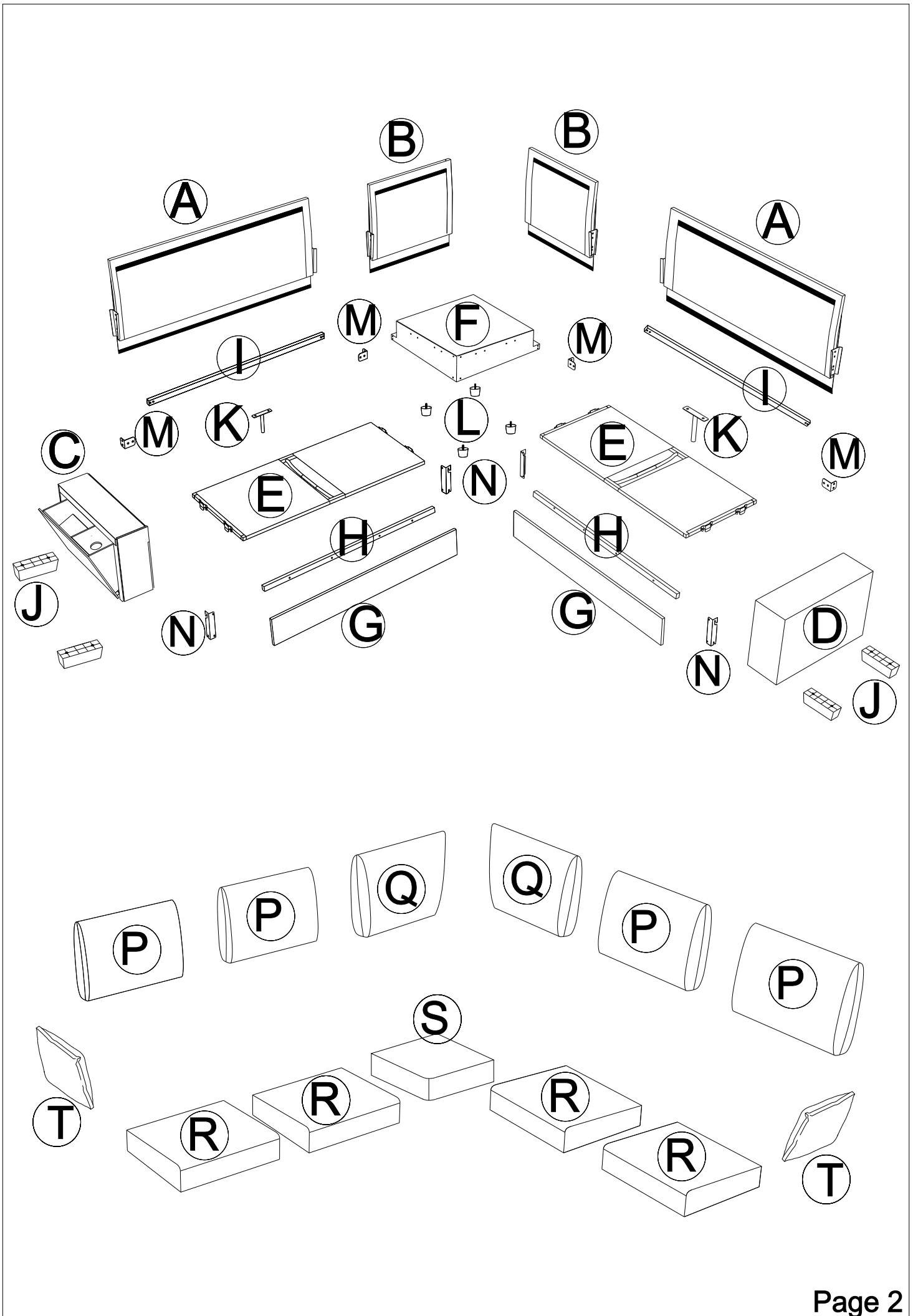


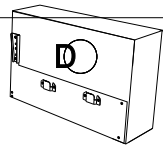
ASSEMBLY INSTRUCTION



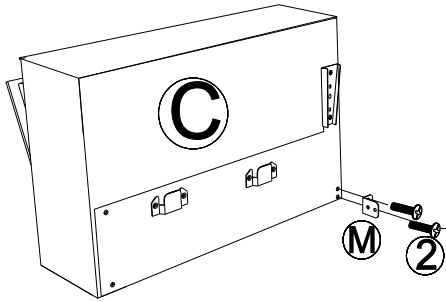
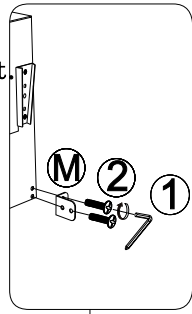
A  2PCS	B  2PCS	C  1PC	D  1PC	E  2PCS
F  1PC	G  2PCS	H  2PCS	I  2PCS	J  4PCS
K  2PCS	L  4PCS	M  4PCS	N  4PCS	P  4PCS
Q  2PCS	R  4PCS	S  1PC	T  2PCS	1  1PC
2 6*20  16PCS	3 6*50  8PCS	4 8*20  20PCS	5 8*40  8PCS	6 8*50  8PCS
7 M8  8PCS				




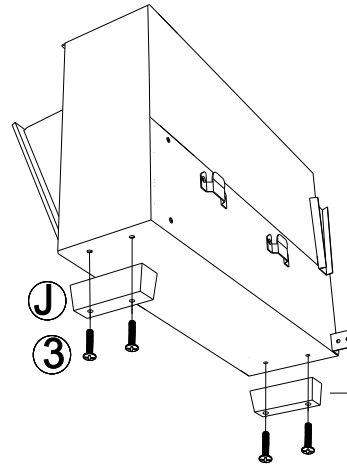
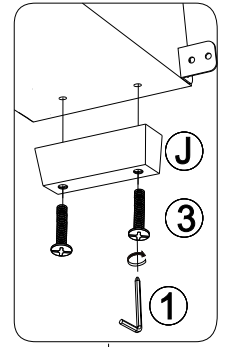
Step 1
2  M6 *20 4pcs




The hardware fitting installation method for the right armrest is identical to that of the left armrest. Installation procedures are hereby omitted.

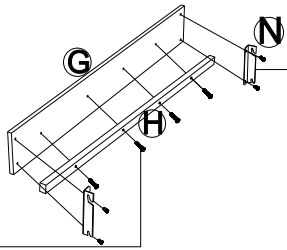
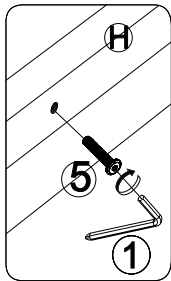
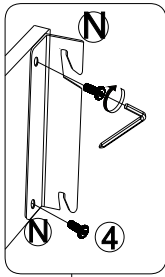


Step 2
3  M6 *50 8pcs

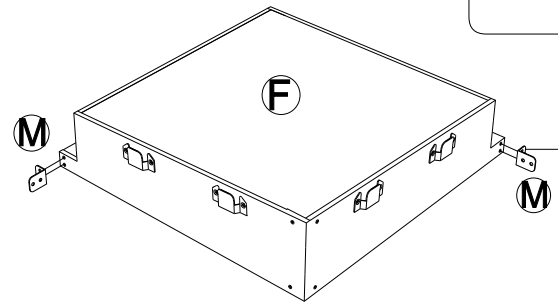
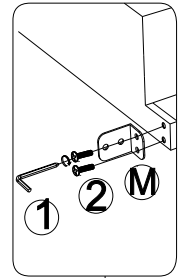


Step 3
5  M8 *40 8pcs

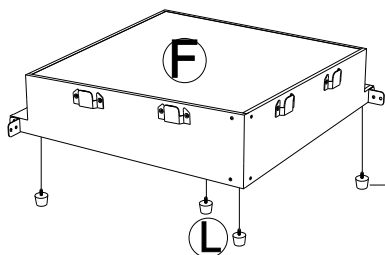
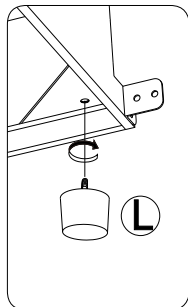
4  M8 *20 8pcs



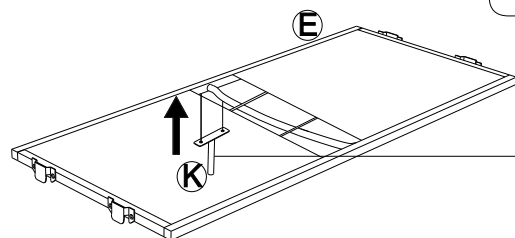
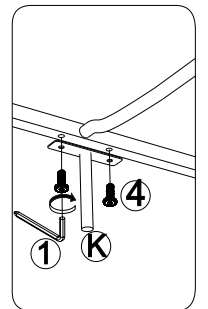
Step 4
2  M6 *20 4pcs



Step 5

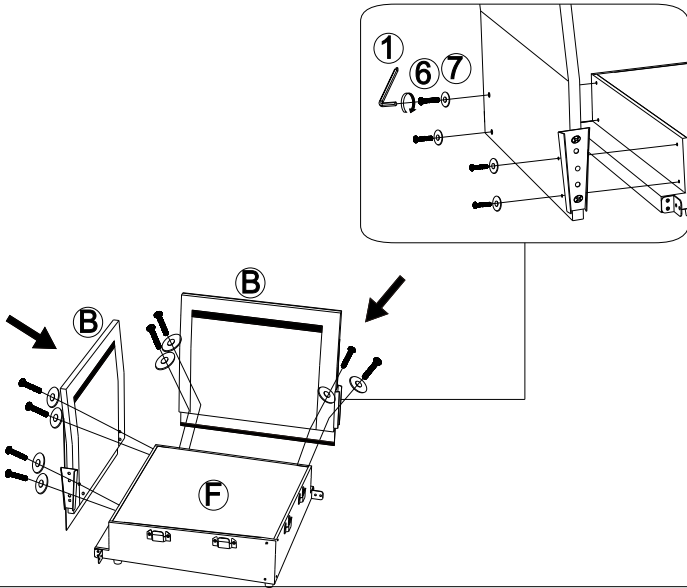


Step 6
4  M8 *20 4pcs



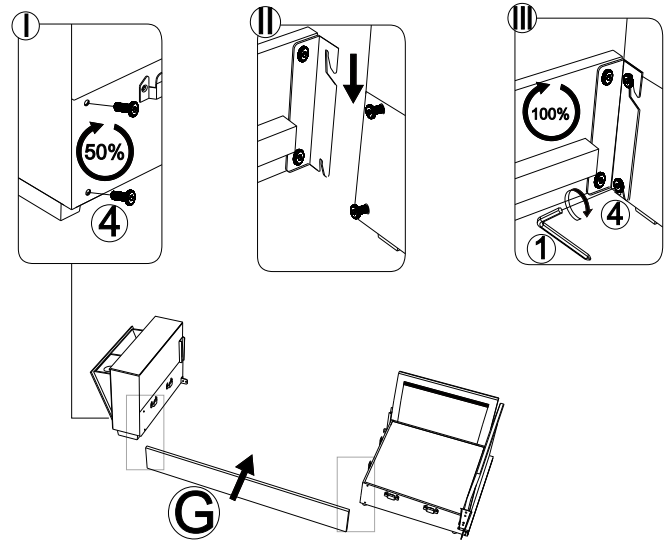
Step 7

6  M8 *50 8pcs

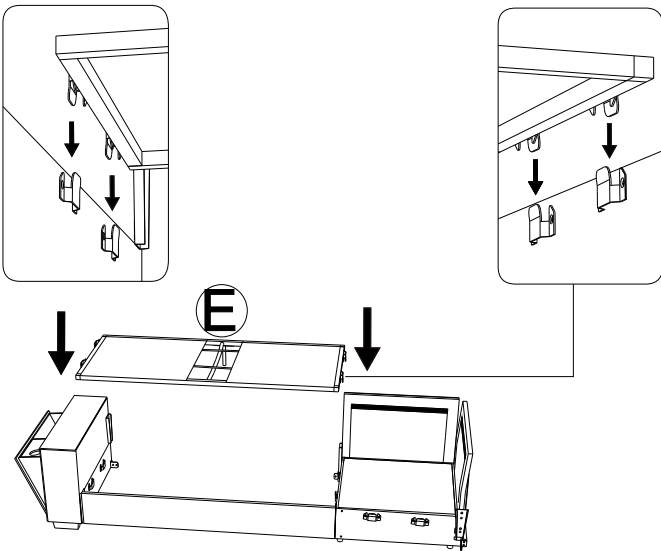


Step 8

4  M8 *20 4pcs

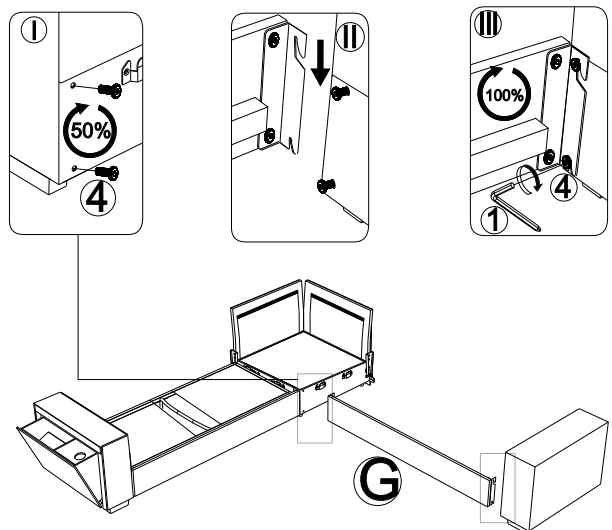


Step 9

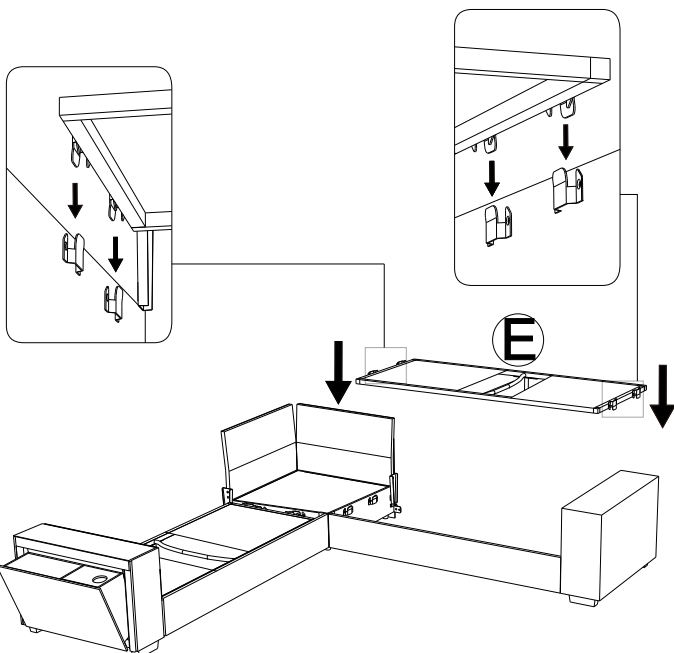


Step 10

4  M8 *20 4pcs

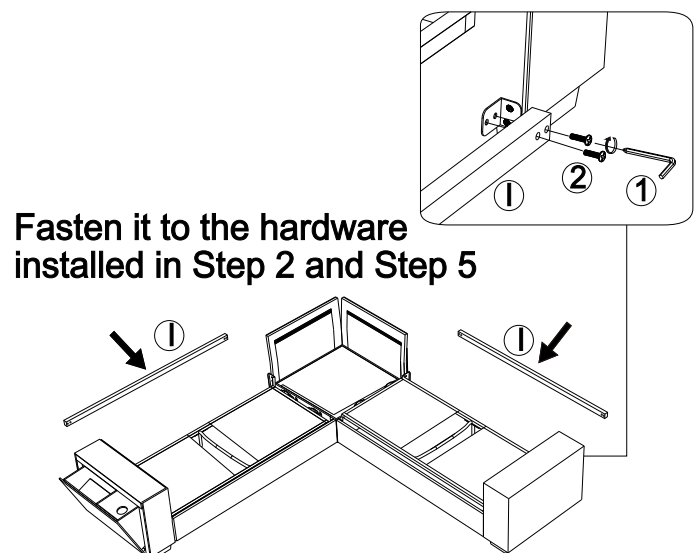


Step 11

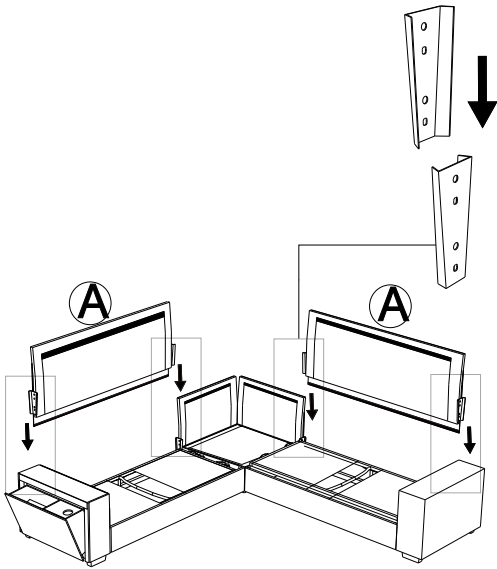


Step 12

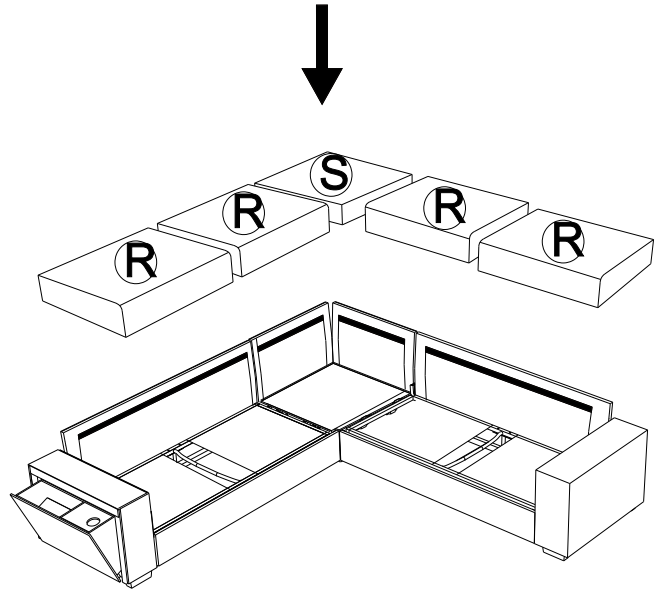
2  M6 *20 8pcs



Step 13



Step 14



Step 15

