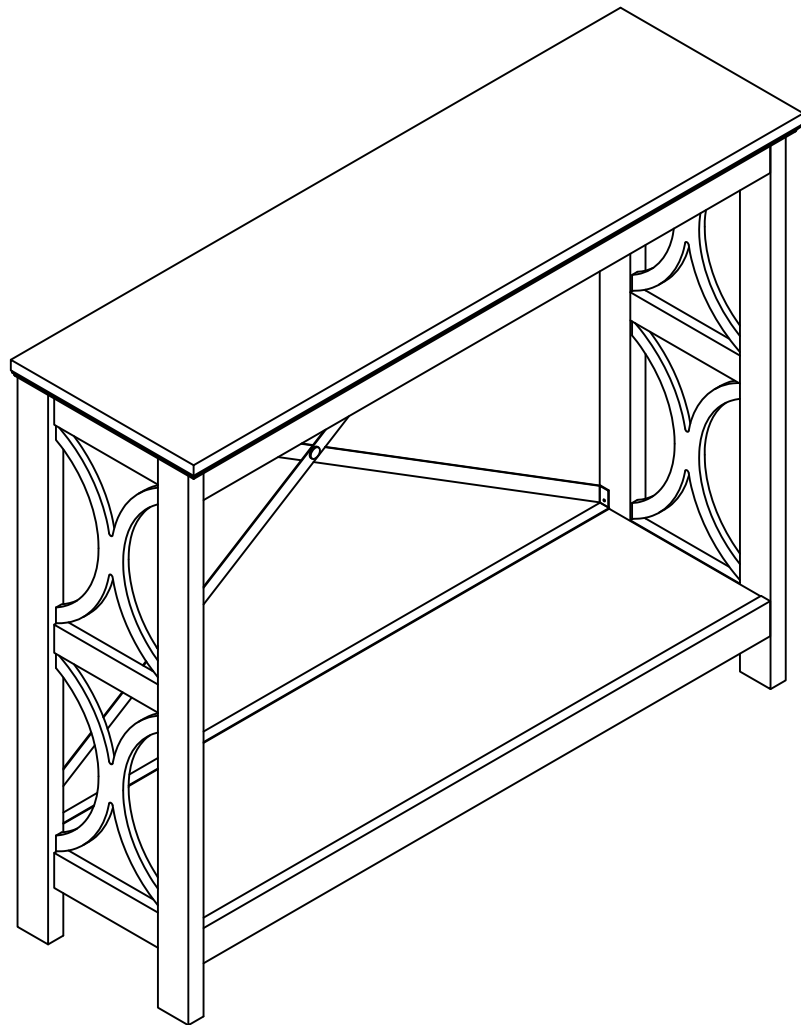
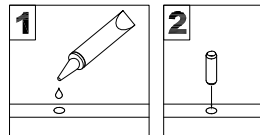


# Evastar Home

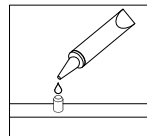


# General Assembly Guidelines

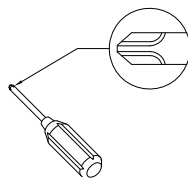
- I .Please ensure that all parts and hardware are available before assembly.
- II . Follow each step carefully to ensure the proper assembly of this product.
- III. For ease of assembly, two people are recommended to assemble this product.
- IV. The three main types of hardware are: wood dowels , screws and bolts.
- V . The glue is to secure wood dowels in place. When first inserting dowels, locate the appropriate hole for the dowel, and place a small amount of glue in the hole then insert the dowel. Please remember wipe away the excess glue immediately.



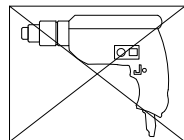
The dowels are necessary to attach assembly parts together in the following steps. Place a small amount of glue on the end of the dowel before attaching parts together. Please remember wipe away the excess glue immediately.



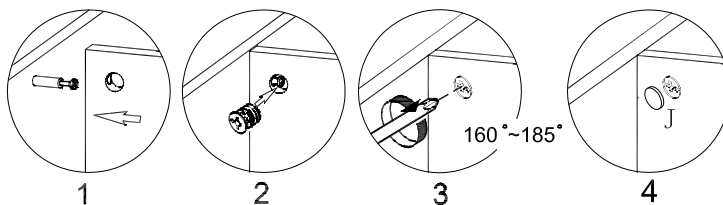
VI. A Phillips head screwdriver is required for the assembly of this product.



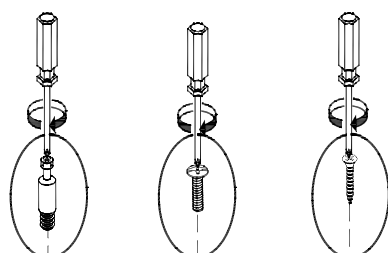
VII. Power tools should not be used when assemble this product.



VIII. Steps for assembly of three-in-one screws.

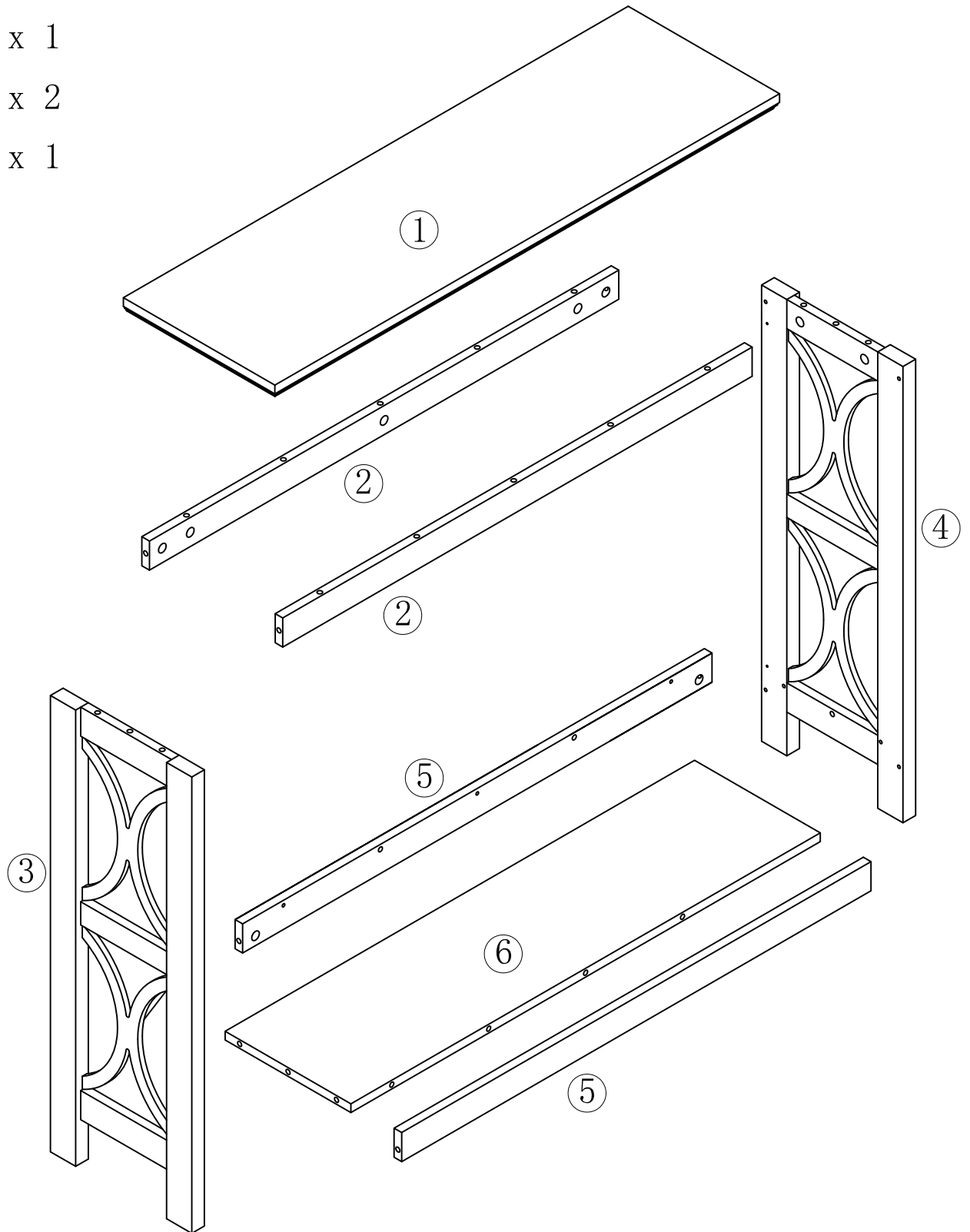


IX. Screw fixation diagram for all fittings.



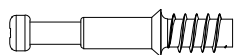
- ① x 1
- ② x 2
- ③ x 1
- ④ x 1
- ⑤ x 2
- ⑥ x 1

# Parts List



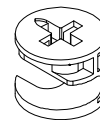
# HARDWARE

[x28]



A

[x28]



B

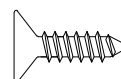
[x12]



C

Ø8 x 30

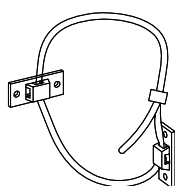
[x4]



D

Ø3\*15

[x1]



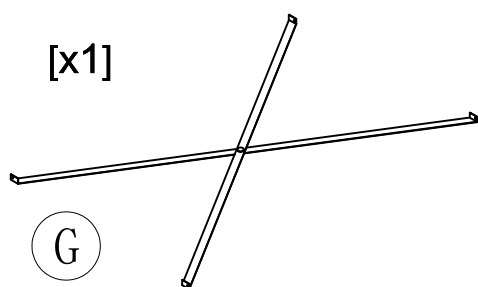
E

[x28]



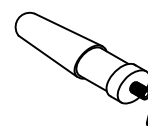
F

[x1]



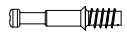
G

[x1]



H

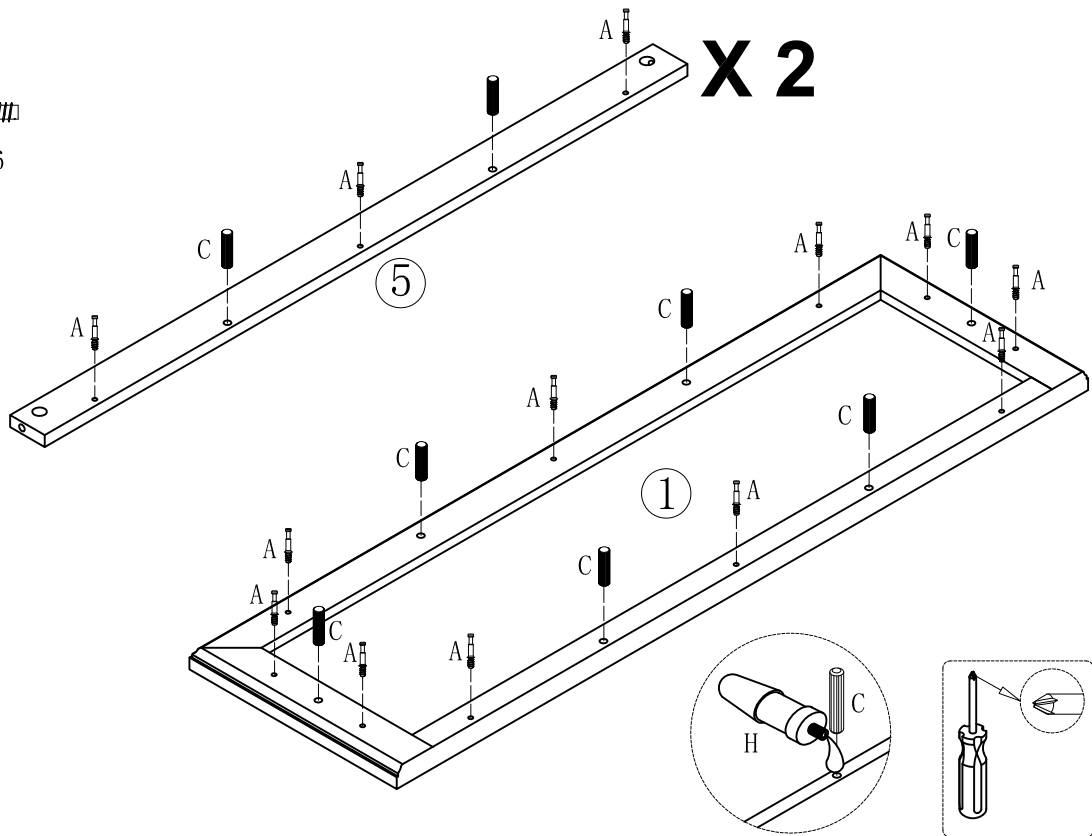
# STEP#1



A x 16



C x 10

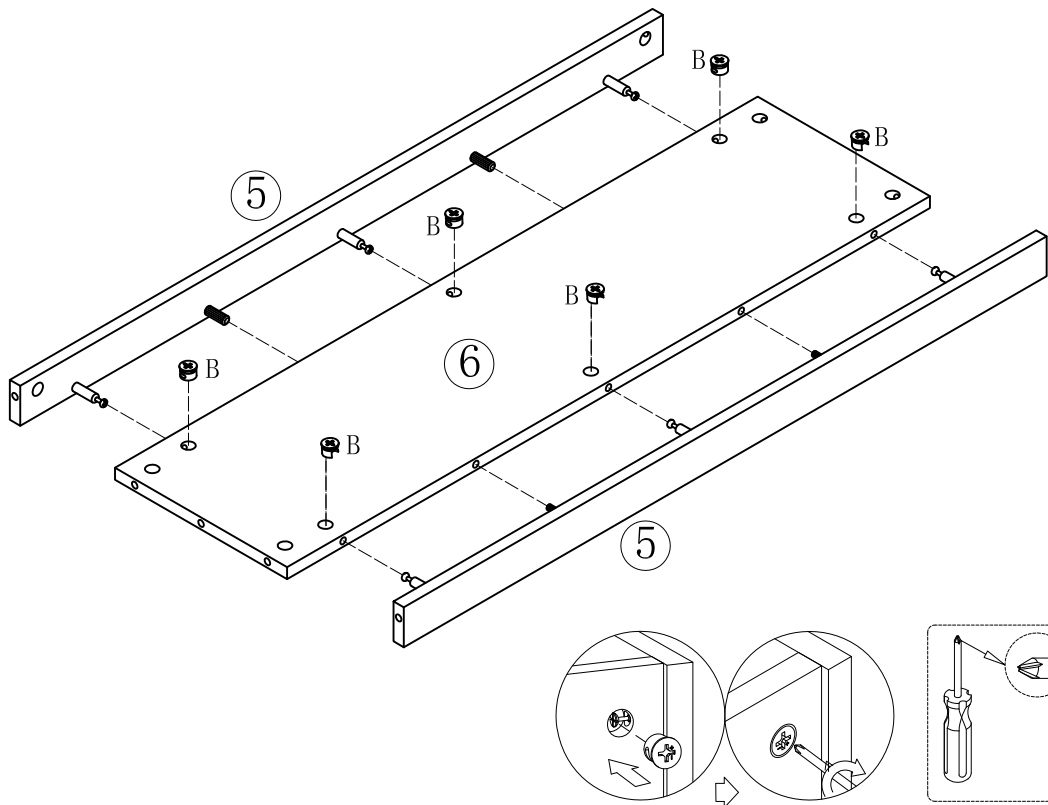


X 2

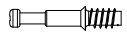
# STEP#2



B x 6



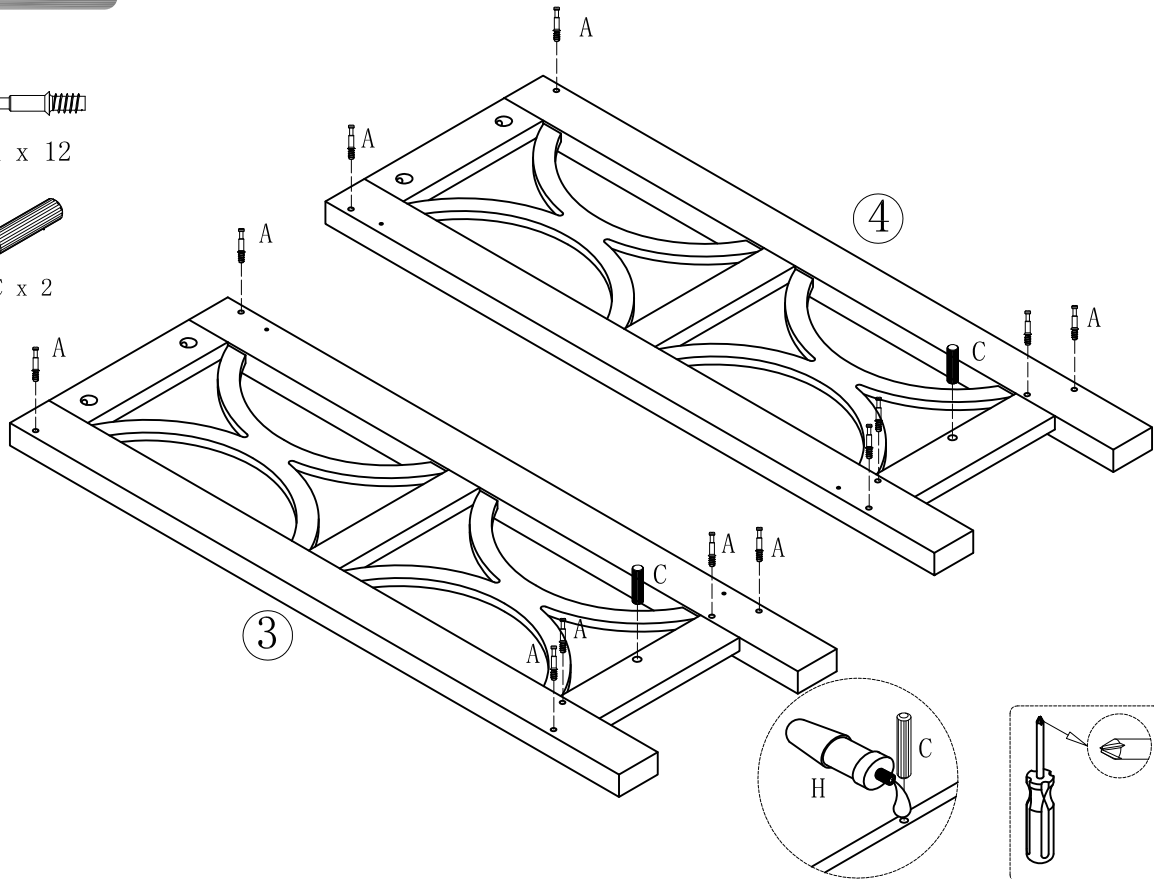
### STEP#3



A x 12



C x 2

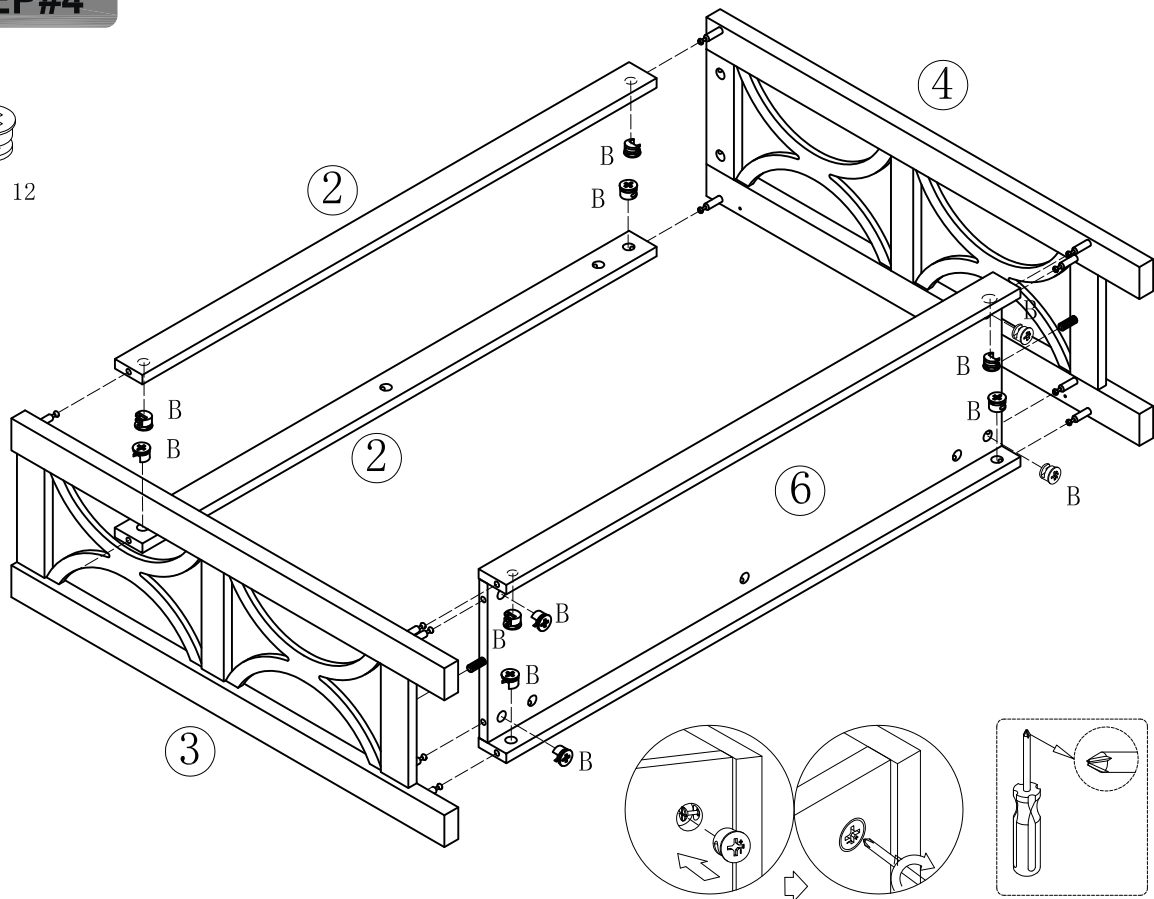


A

### STEP#4



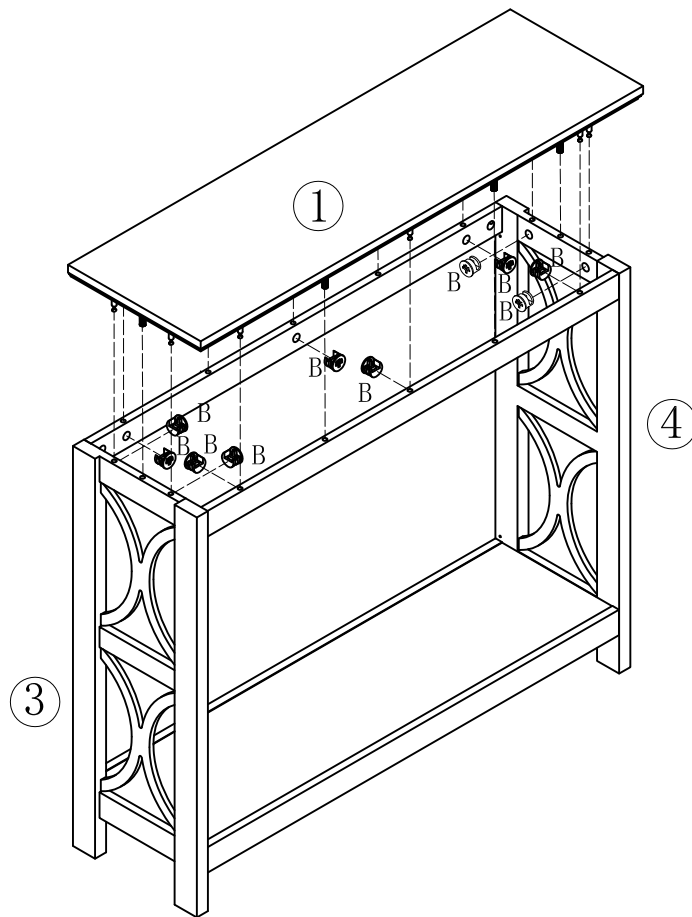
B x 12



## STEP#5



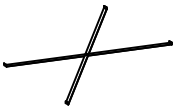
B x 10



## STEP#6



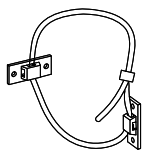
D x 4



G x 1



F x 28



E x 1

