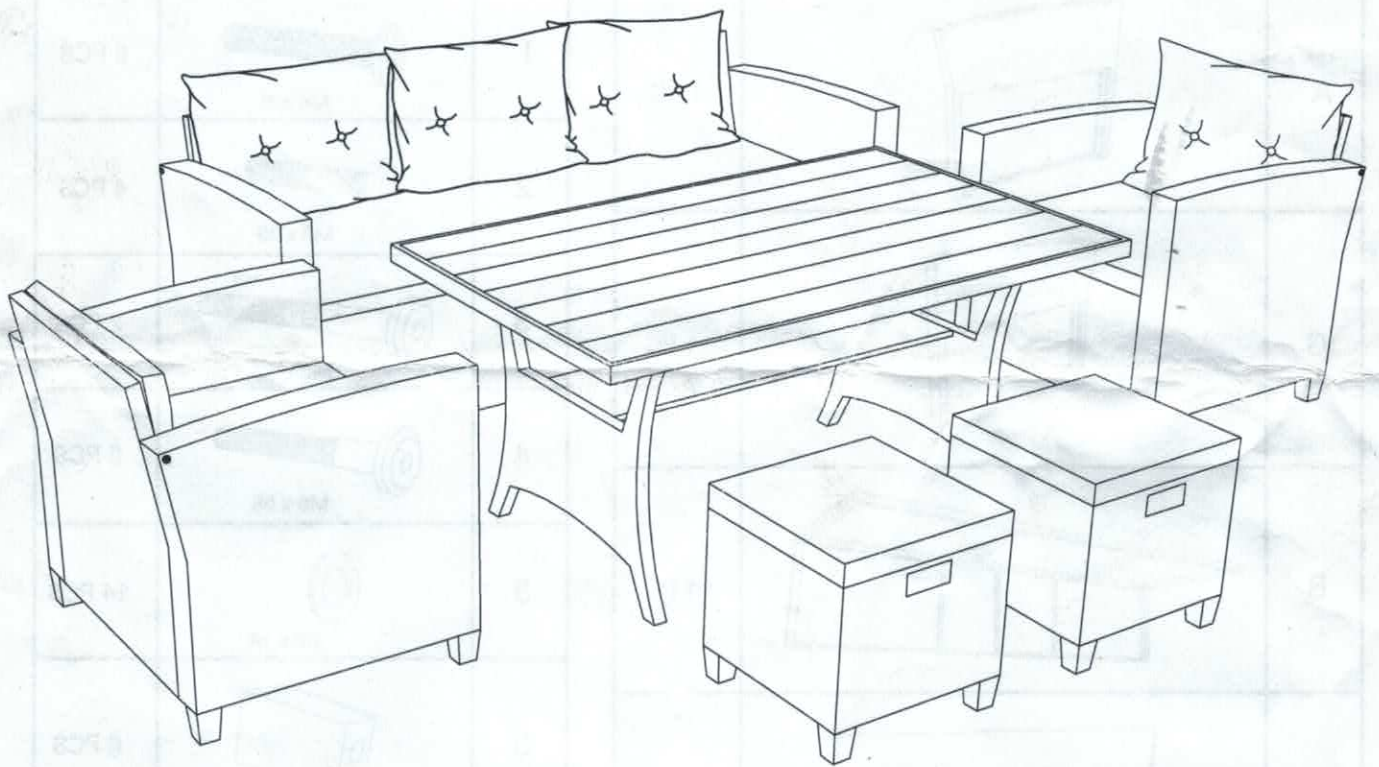
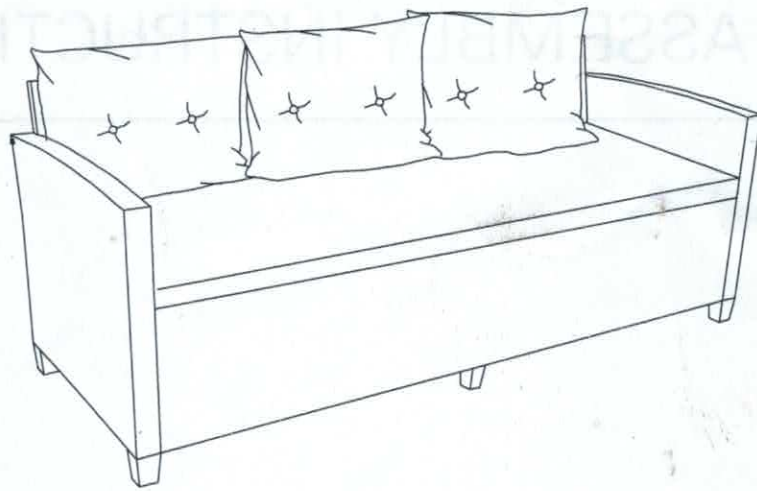


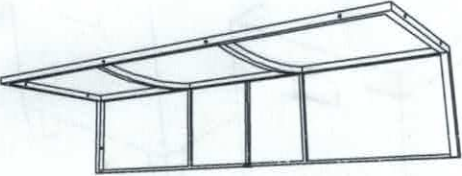
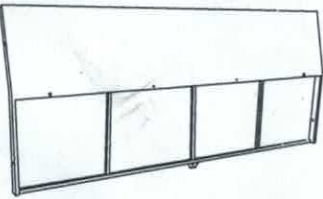







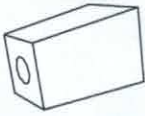
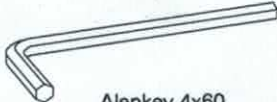


ASSEMBLY INSTRUCTION

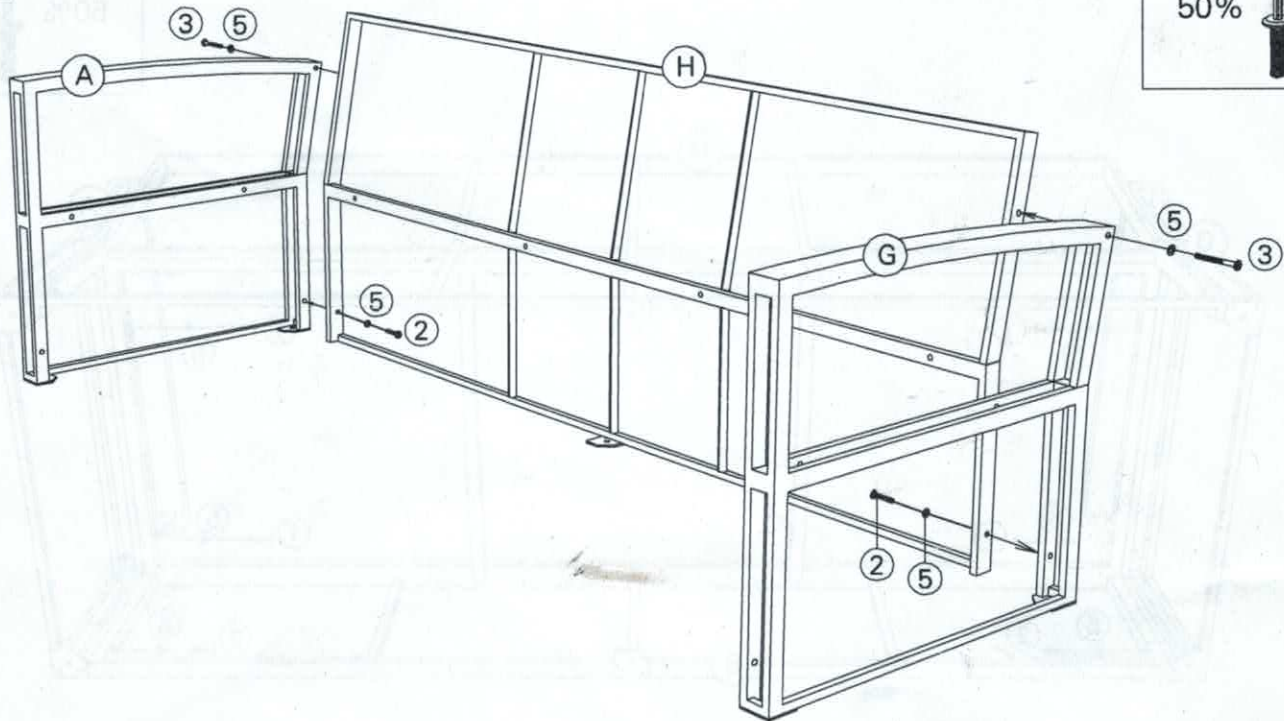




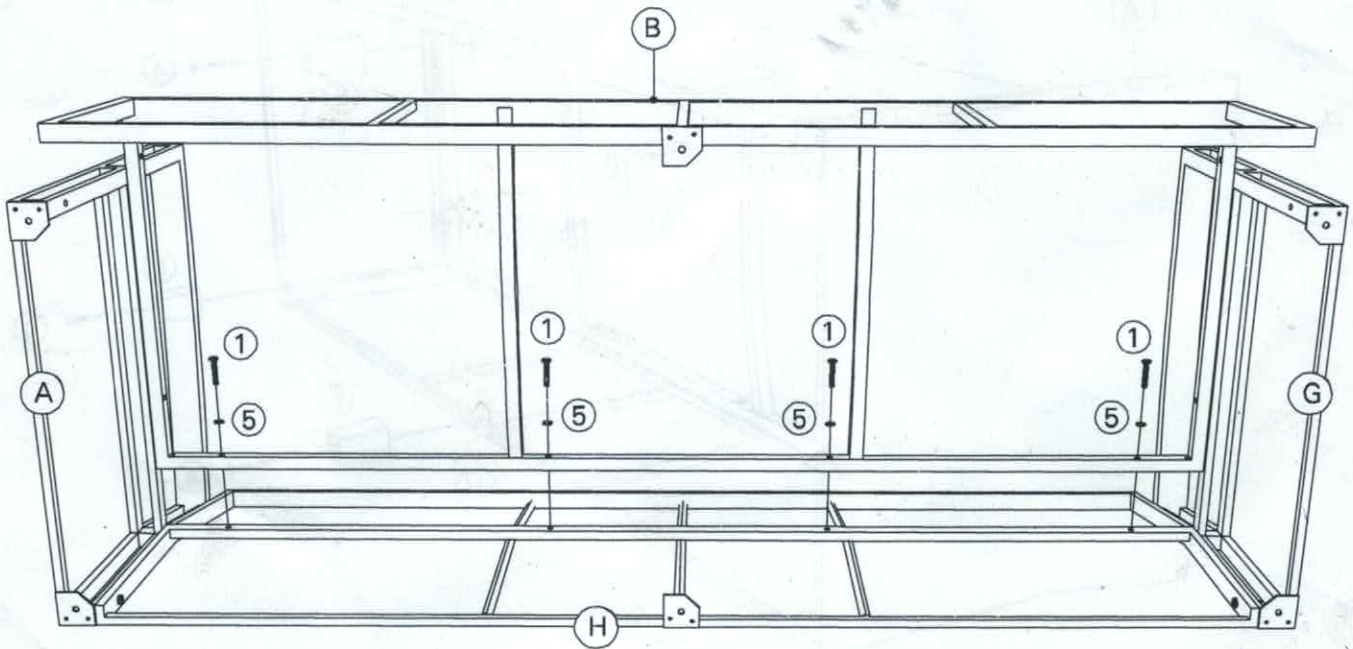
A		1 PC
G		1 PC
B		1 PC
H		1 PC
E		1 PC
F		3 PCS

1	 M6 x 40	8 PCS
2	 M6 x 35	4 PCS
3	 M6 x 70	2 PCS
4	 M6 x 55	6 PCS
5	 Ø6 x 14	14 PCS
6		6 PCS
8	 Allenkey 4x60	1 PC

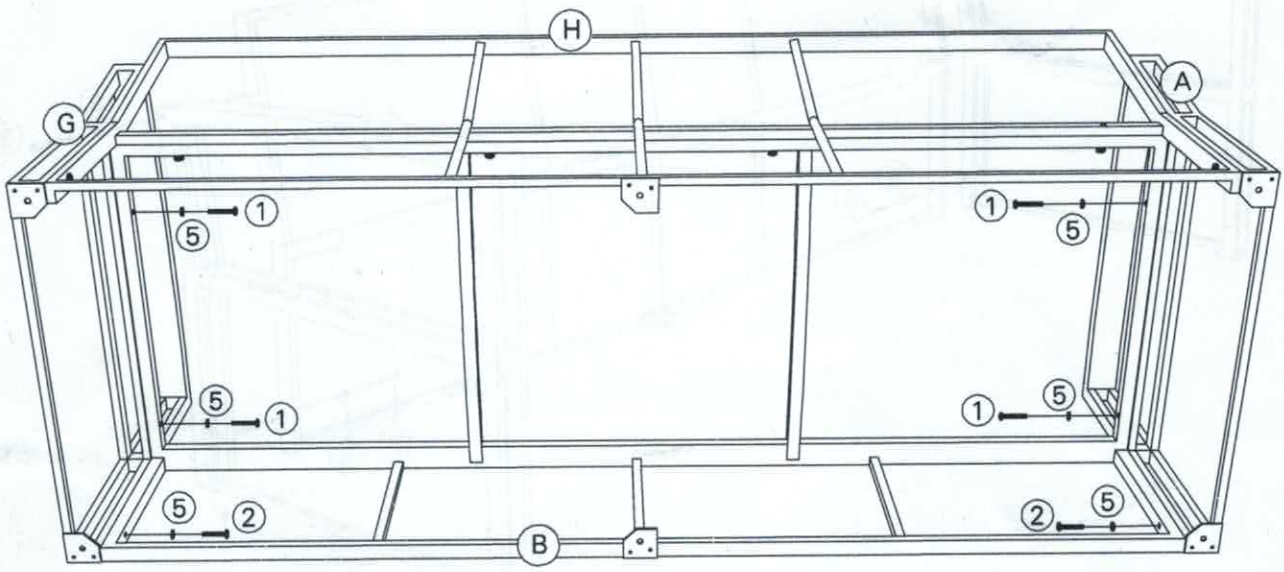
1



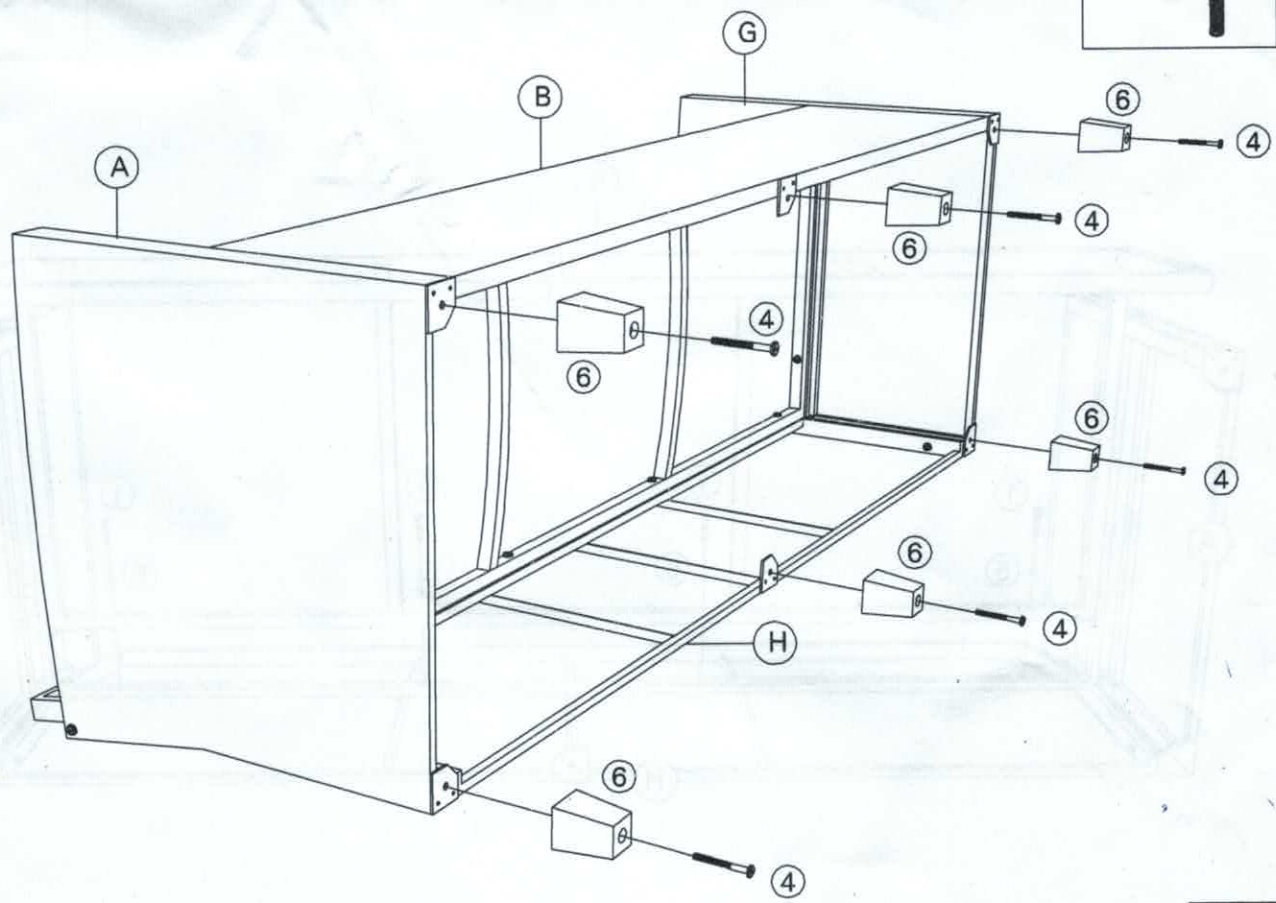
2

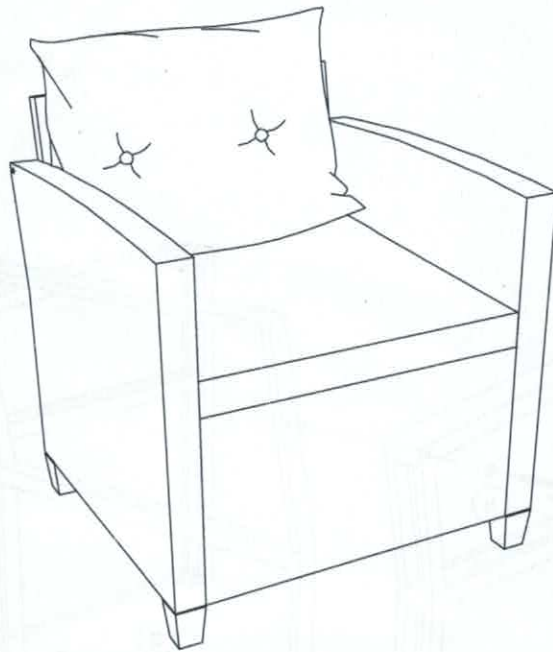









3






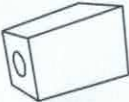
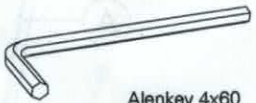


4

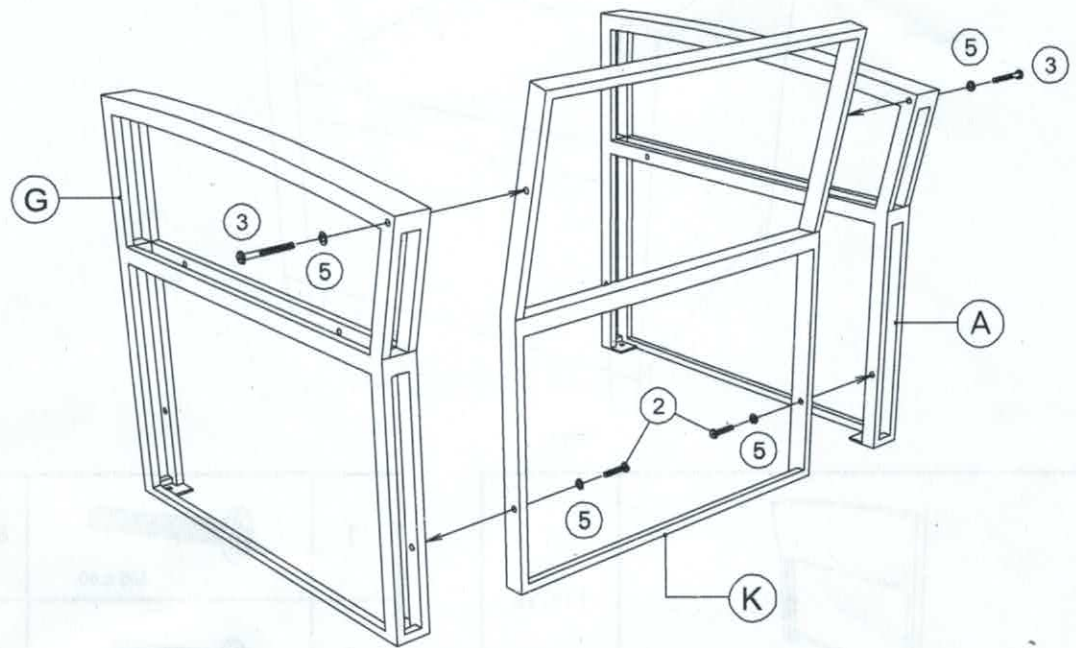




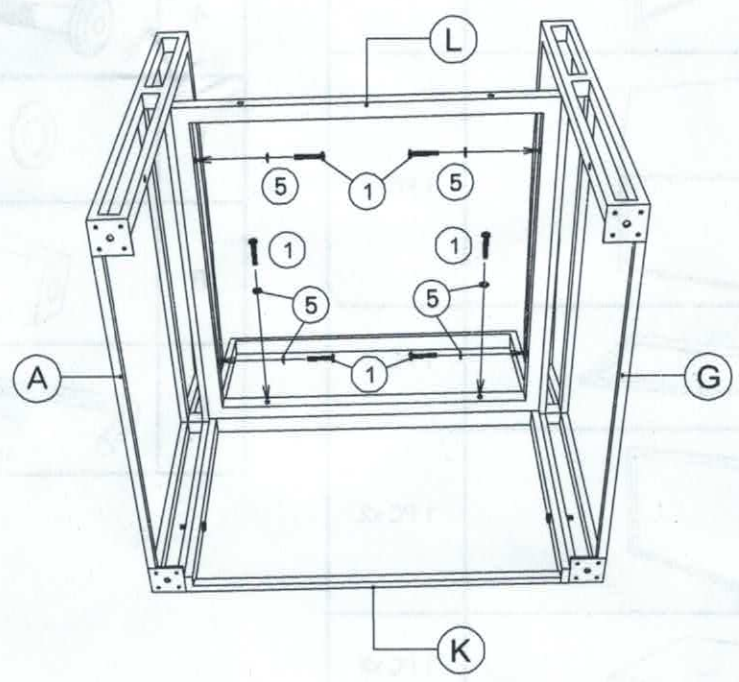
A		1 PC x2
G		1 PC x2
K		1 PC x2
L		1 PC x2
M		1 PC x2
N		1 PC x2
F		1 PC x2

1	 M6 x 40	8 PCS x2
2	 M6 x 35	4 PCS x2
3	 M6 x 70	2 PCS x2
4	 M6 x 55	4 PCS x2
5	 Ø6 x 14	14 PCS x2
6		4 PCS x2
8	 Allenkey 4x60	1 PC

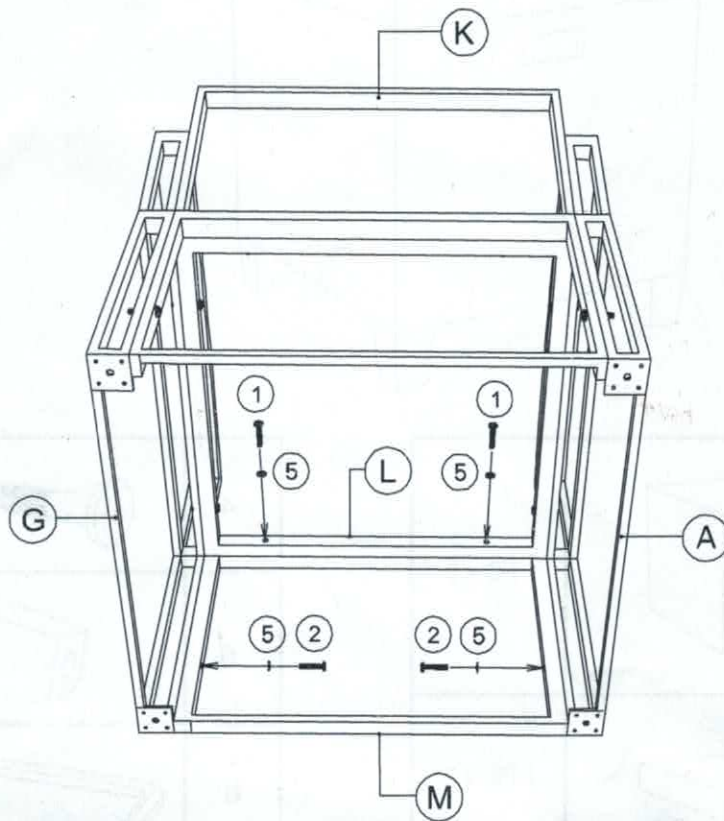
1



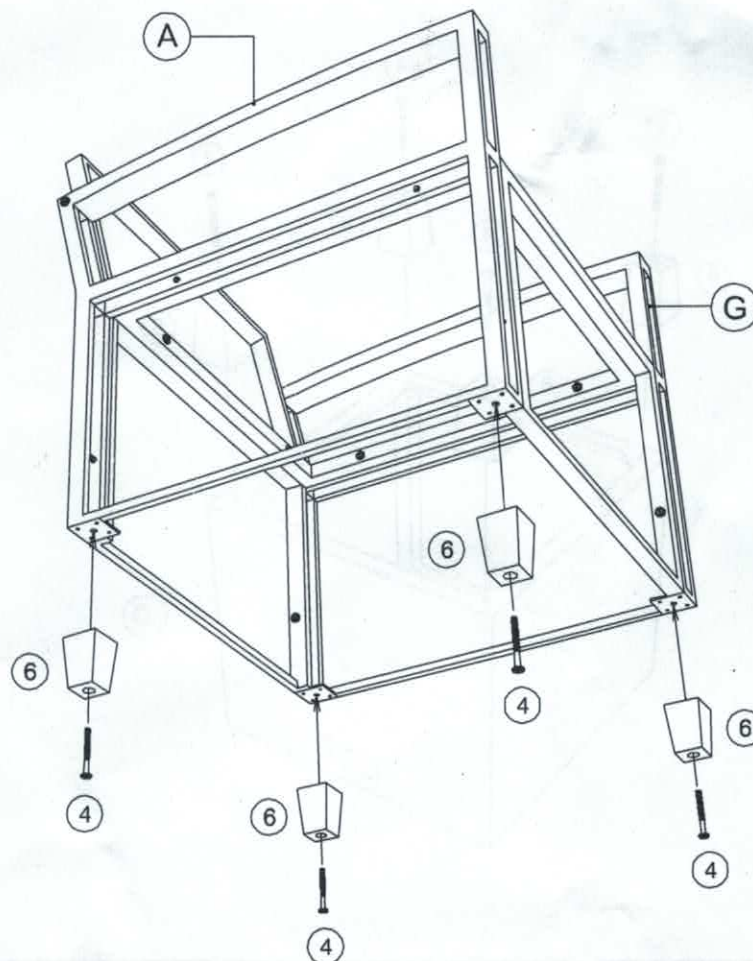
2



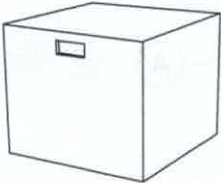

3


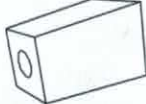
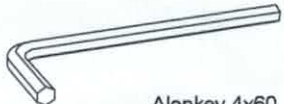


4

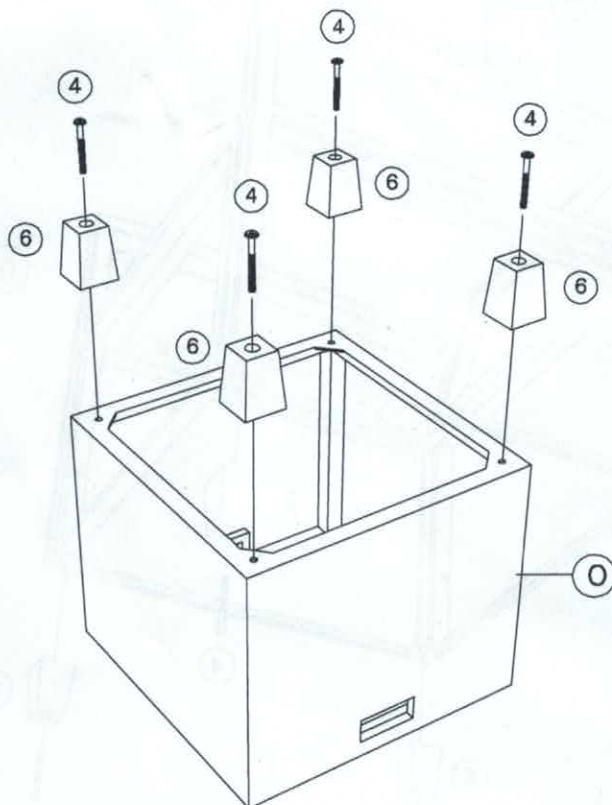




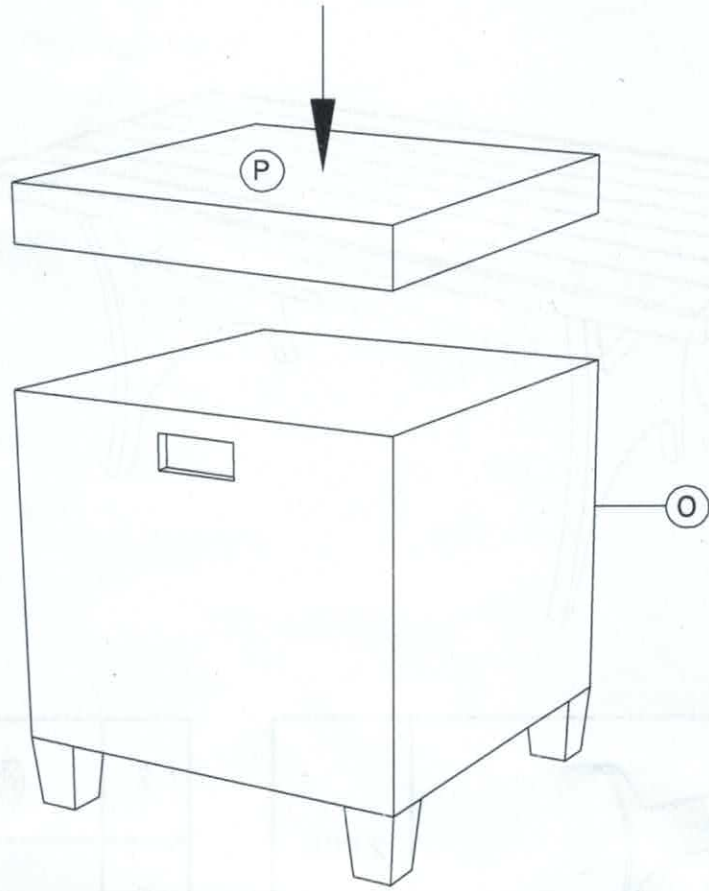
O		1 PC x 2
P		1 PC x 2

4	 M6 x 55	4 PCS x 2
6		4 PCS x 2
8	 Allenkey 4x60	1 PC

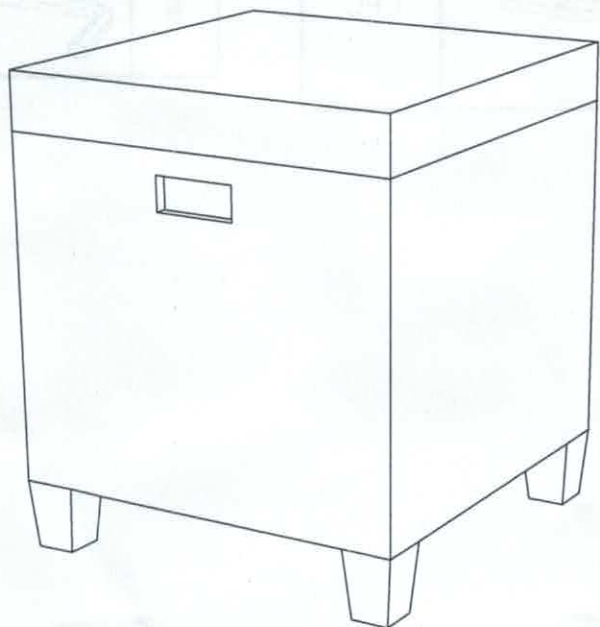
1






2








3

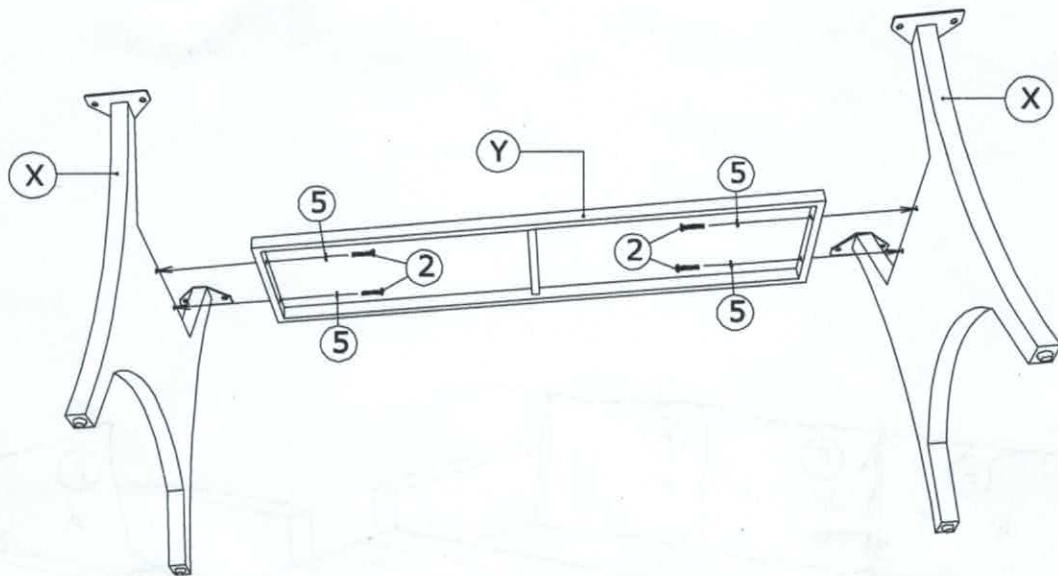




X		2 PCS
Y		1 PC
Z		1 PC

2	 M6x35 mm	4 PCS
5	 Ø6 x 14 mm	4 PCS
9	 M8x20 mm	8 PCS
10	 Ø8 x 16 mm	8 PCS
8	 Allenkey 4 x 60	1 PC

1



2

