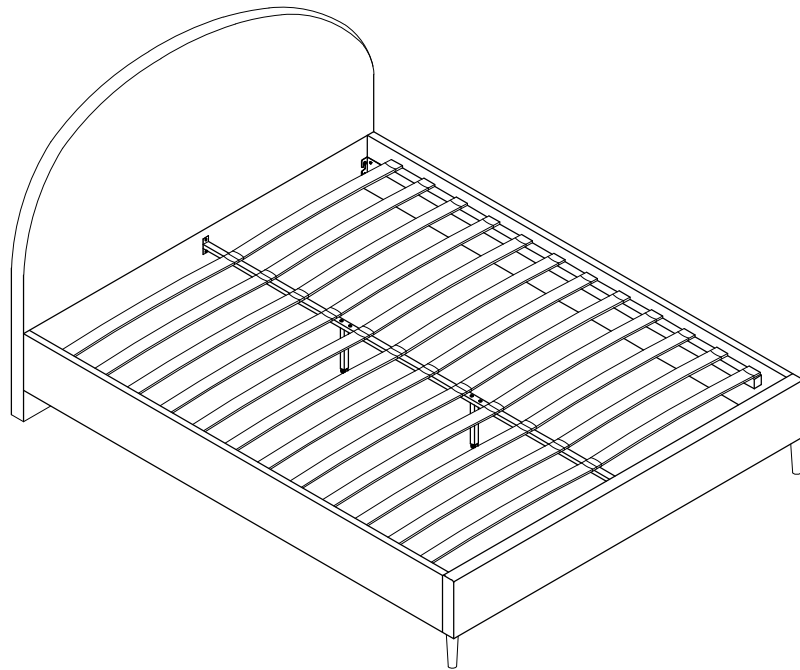
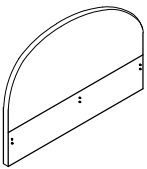


ASSEMBLY INSTRUCTIONS

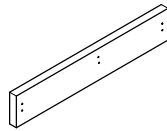


PARTS LIST

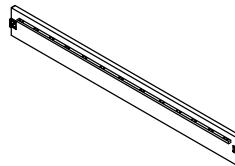
A: HEADBOARD 1PC



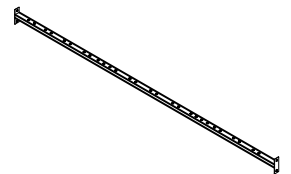
B: FOOTBOARD 1PC



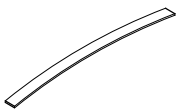
C: SIDE RAIL 2PCS



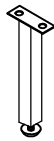
D: CENTERE RAIL 1PC



E: BED SLATS 24PCS



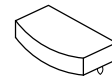
F: SUPPORT LEG 2PCS



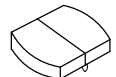
G: LEG 2PCS



H: SLAT CAP 24PCS

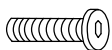


I: DOUBLE PLASTIC CAP 12PCS



HARDWARE LIST

1: BOLT 8PCS



M8X40mm

2: BOLT 8PCS



M8X30mm

3: NUT 4PCS



4: FLAT WASHER 16PCS



M8

5: SPRING WASHER 16PCS



M8

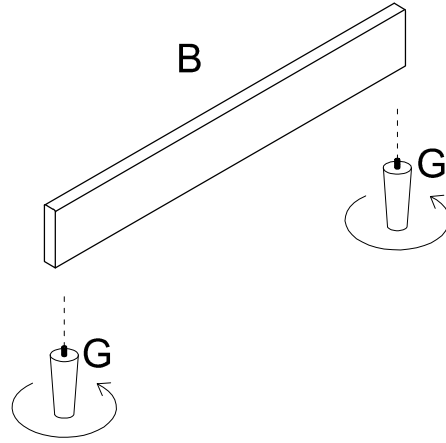
6: ALLEN KEY 1PC



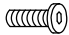



7: SPANNER 1PC

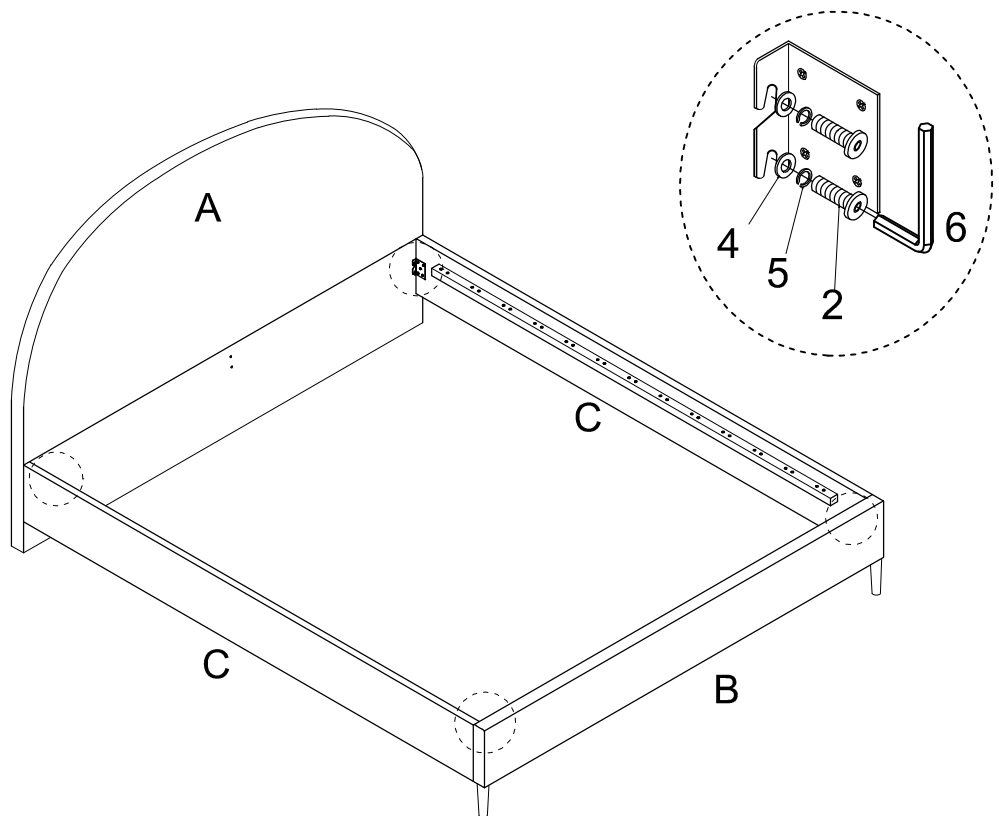


STEP 1









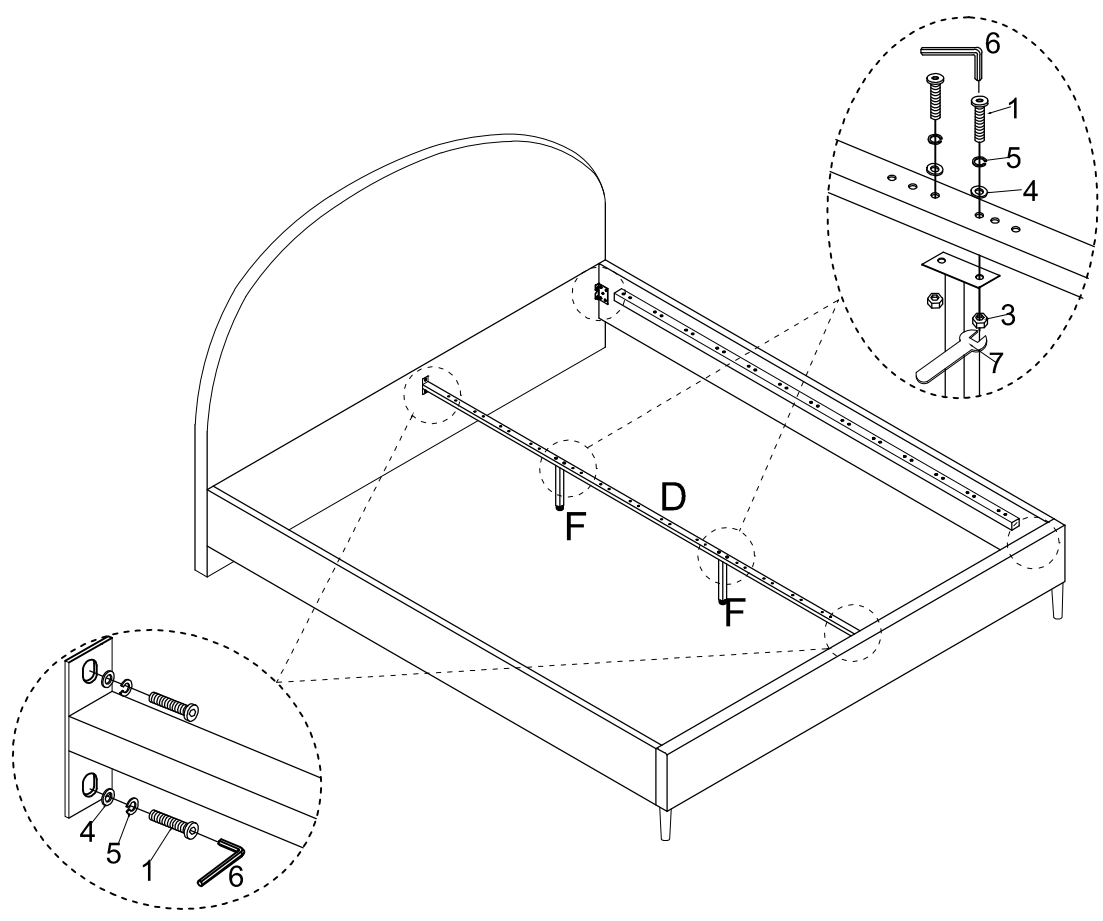
STEP 2

2		8PCS
M8X30mm		
4		8PCS
M8		
5		8PCS
M8		
6		



STEP 3

- 1  8PCS
M8X40mm
- 4  8PCS
M8
- 5  8PCS
M8
- 3  4PCS
- 6 
- 7 



STEP 4

