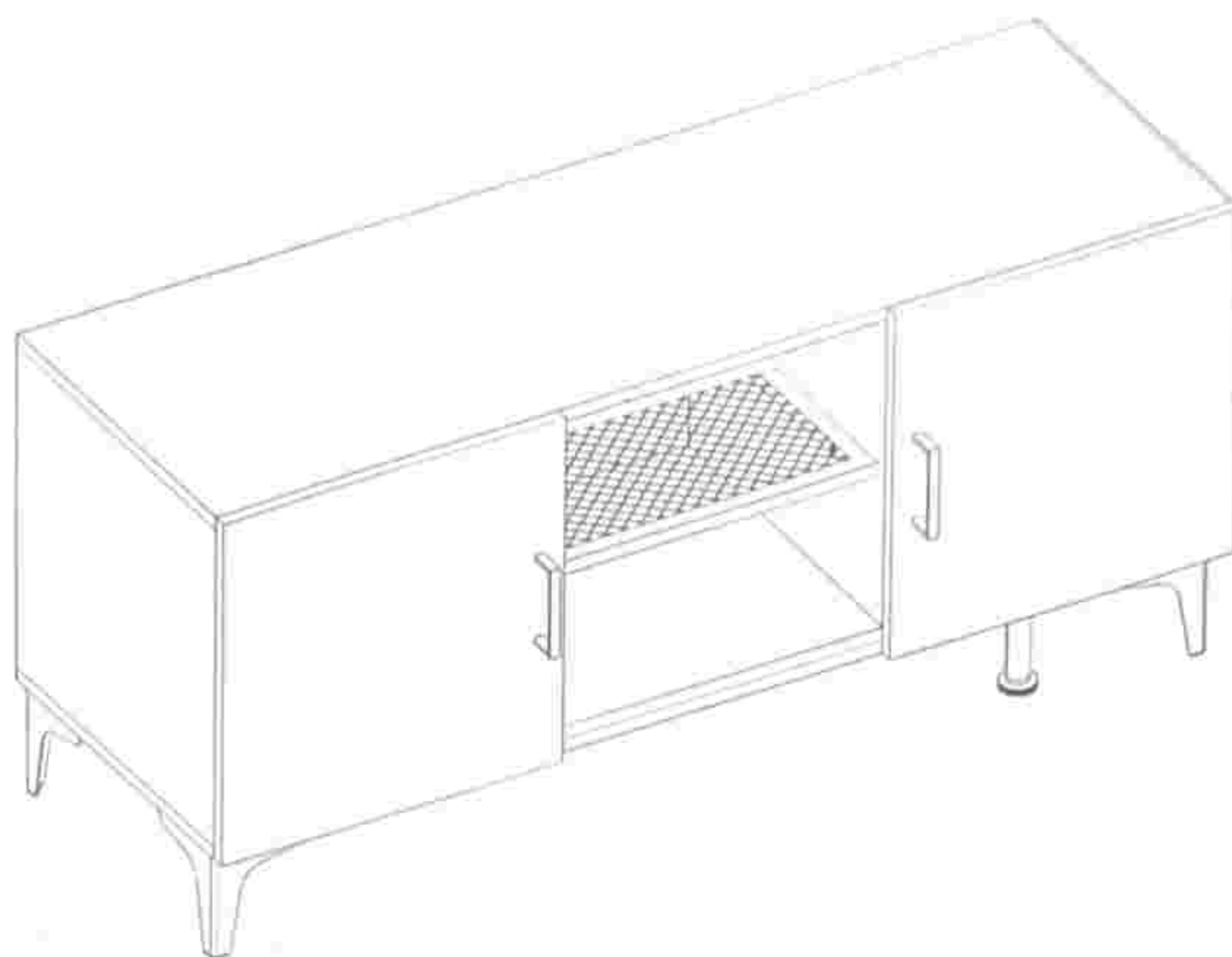


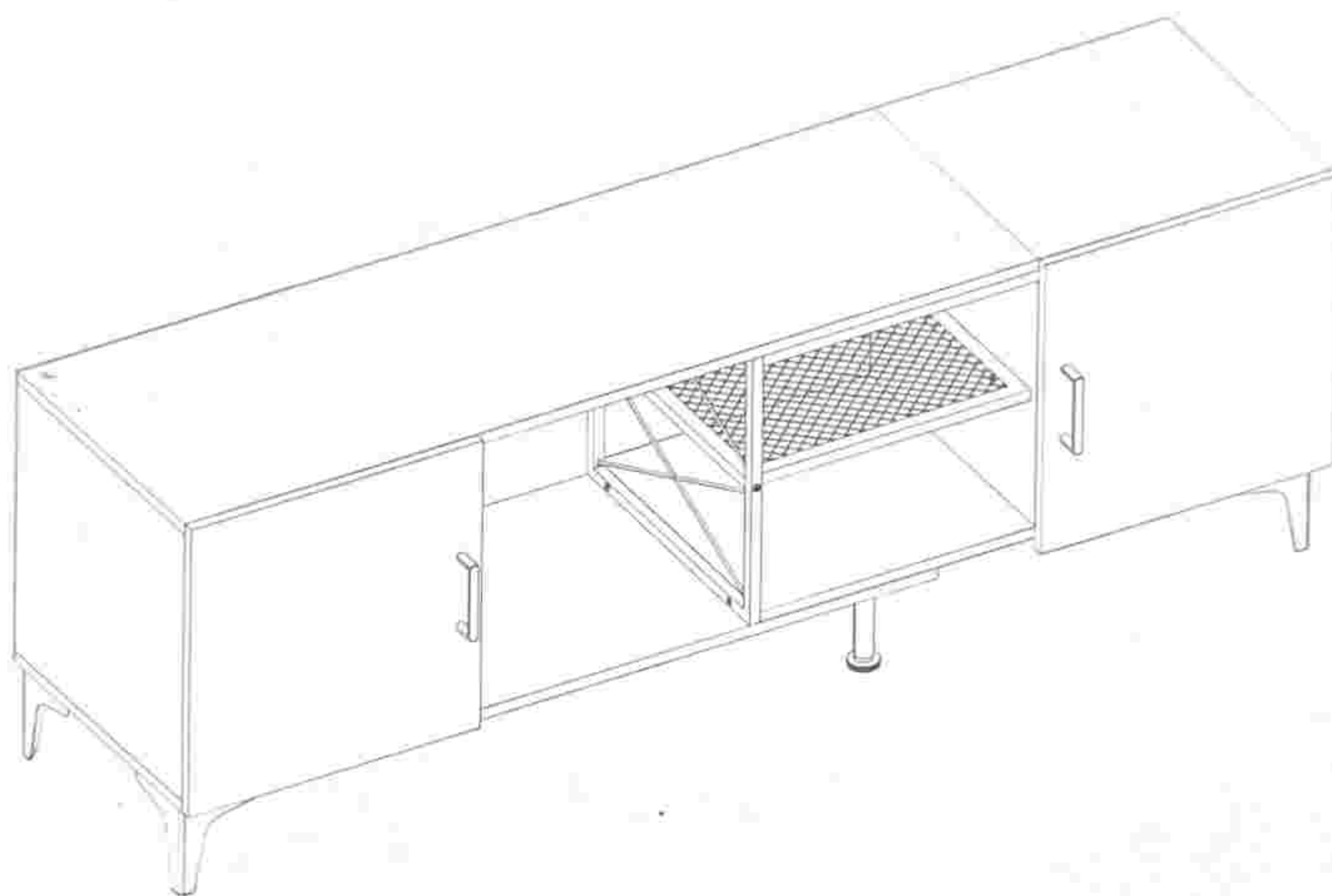
**STEP 15**

**3 Stand Configurations**

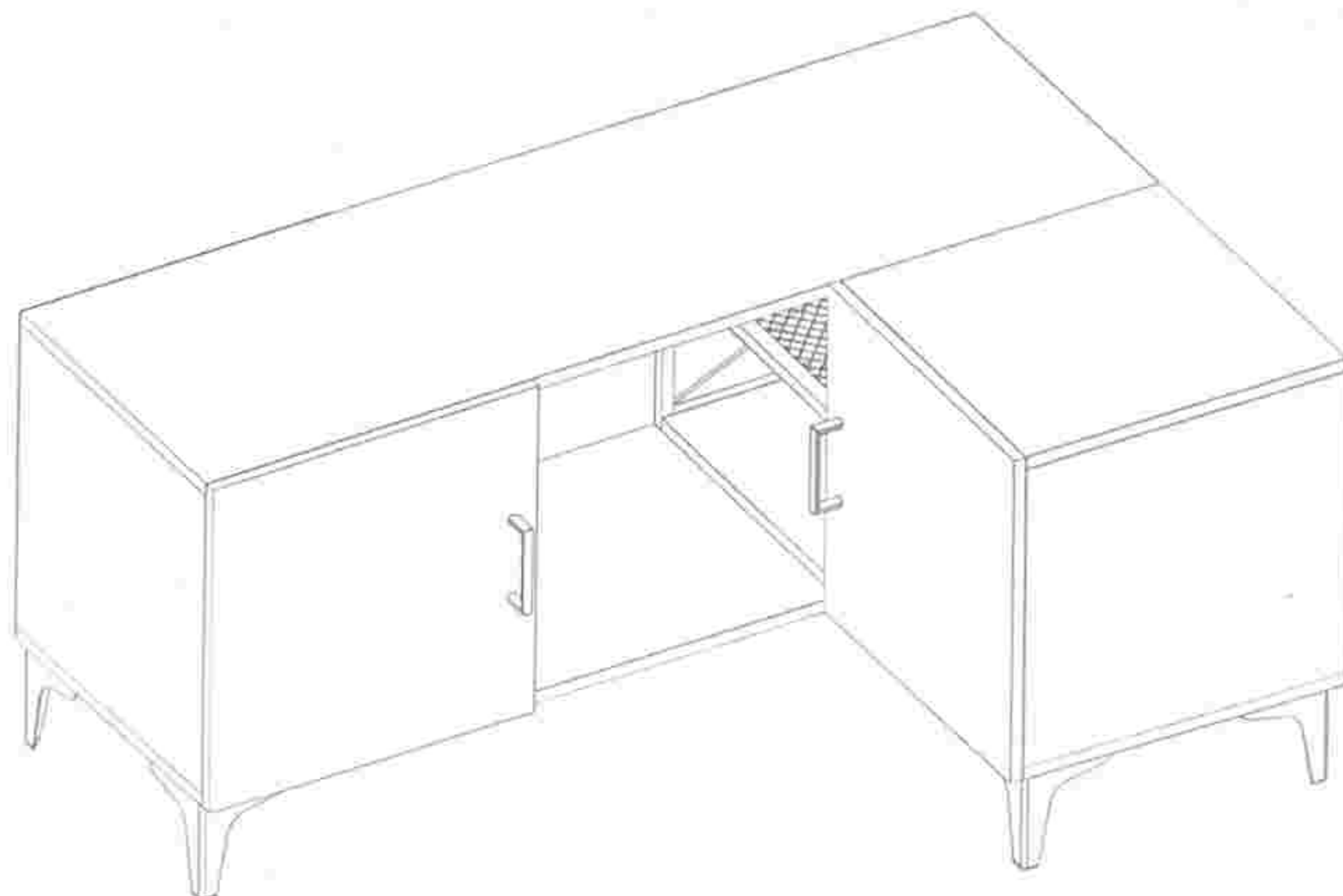
Option A



Option B



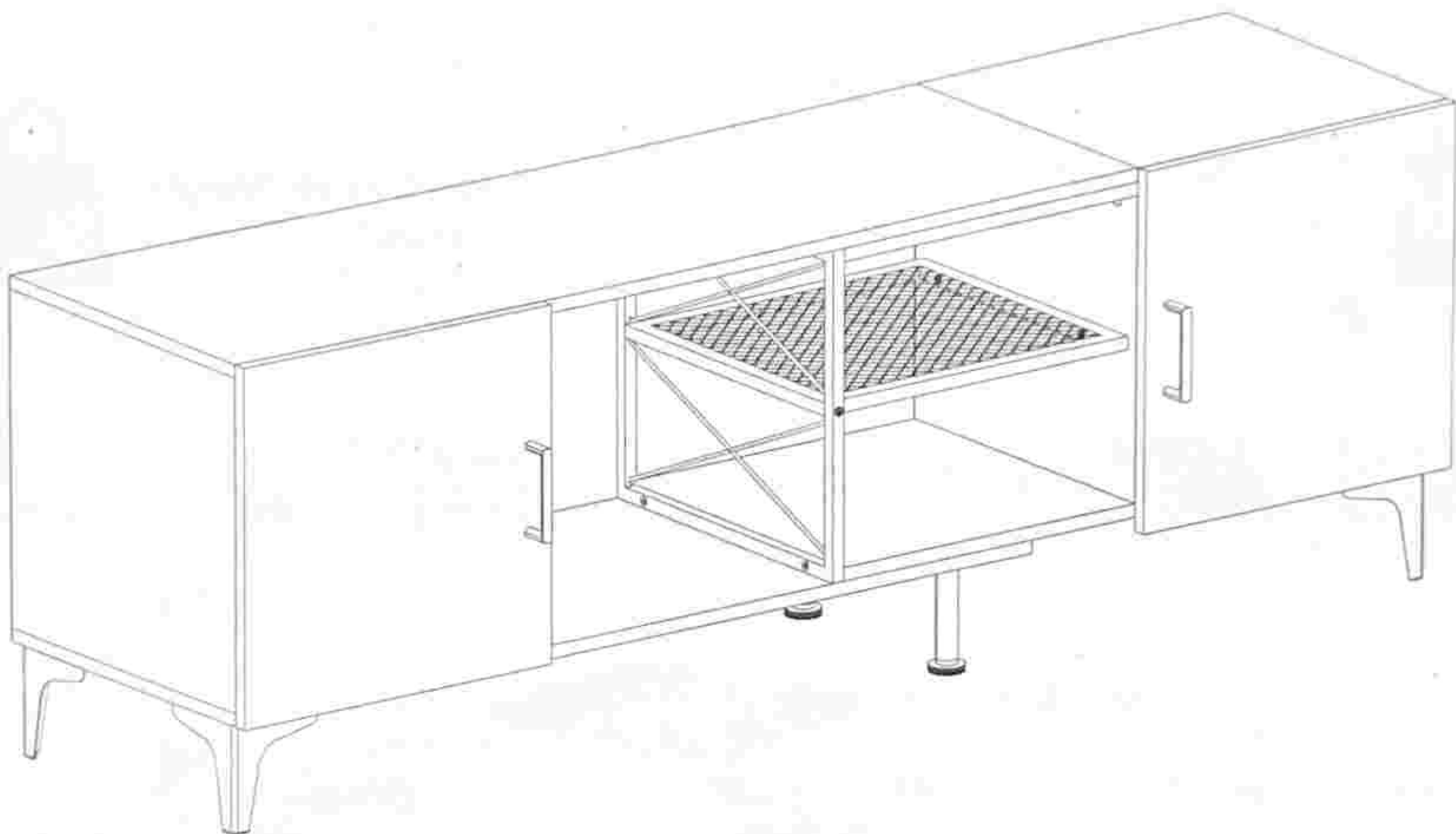
Option C



# INSTRUCTION MANUAL

Rev01(B)

**PIRTS05WN**



## TV Stand



(US / CA) 1-800-556-9829

(UK) 44-808-196-3885



support@pipishell.net



www.pipishellav.com

## Important Safety Information

To assemble the product correctly, please read all instructions carefully before installation. If you have any questions or concerns, please contact our Technical Support at 1-800-556-9829 (US/CA), 44-808-196-3885 (UK) or Customer Service at support@pipishell.net.

This unit is not designed to be used with CRT TVs. Only use this stand with flat panel TVs and audio video equipment that meet the weight limits. Avoid the risk of personal injury or property damage. To ensure stability, place the TV in the center of the unit. The base of the TV must rest on the supporting surface of the unit without hanging over the edges.

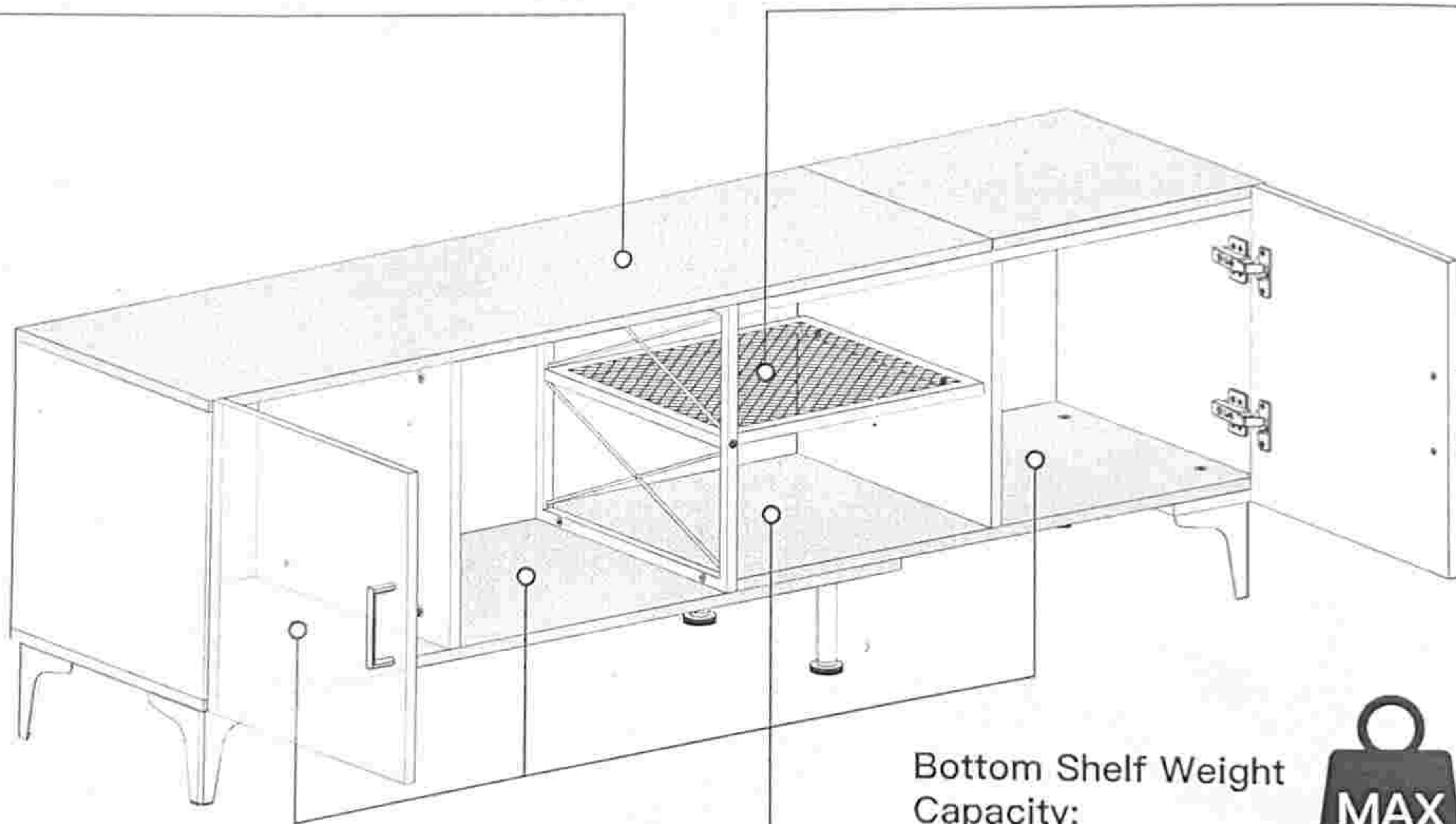
## Weight Restrictions

If your products weigh more than the listed maximum weights, this TV stand is not compatible with your system.



Top Shelf Weight  
Capacity:  
110 lbs (50 kg)

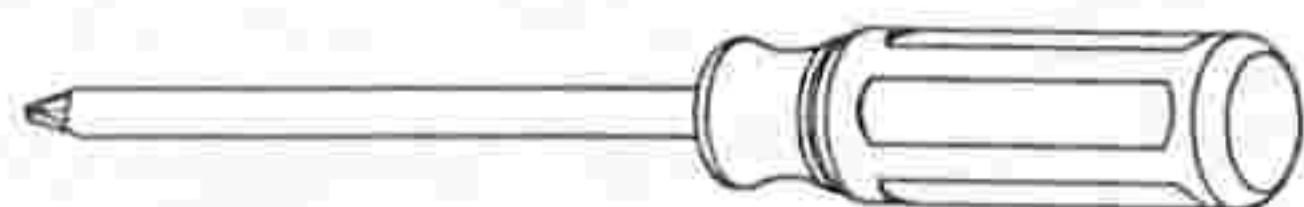
Mesh Shelf Weight  
Capacity:  
50 lbs (22.7 kg)



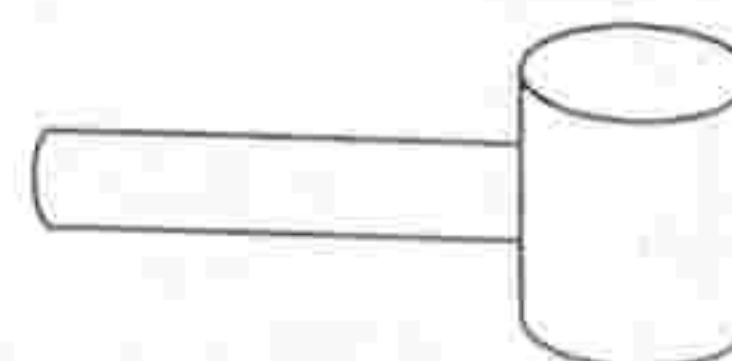
Bottom Shelf Weight  
Capacity:  
50 lbs (22.7 kg)



## Tools Needed (Not Included)

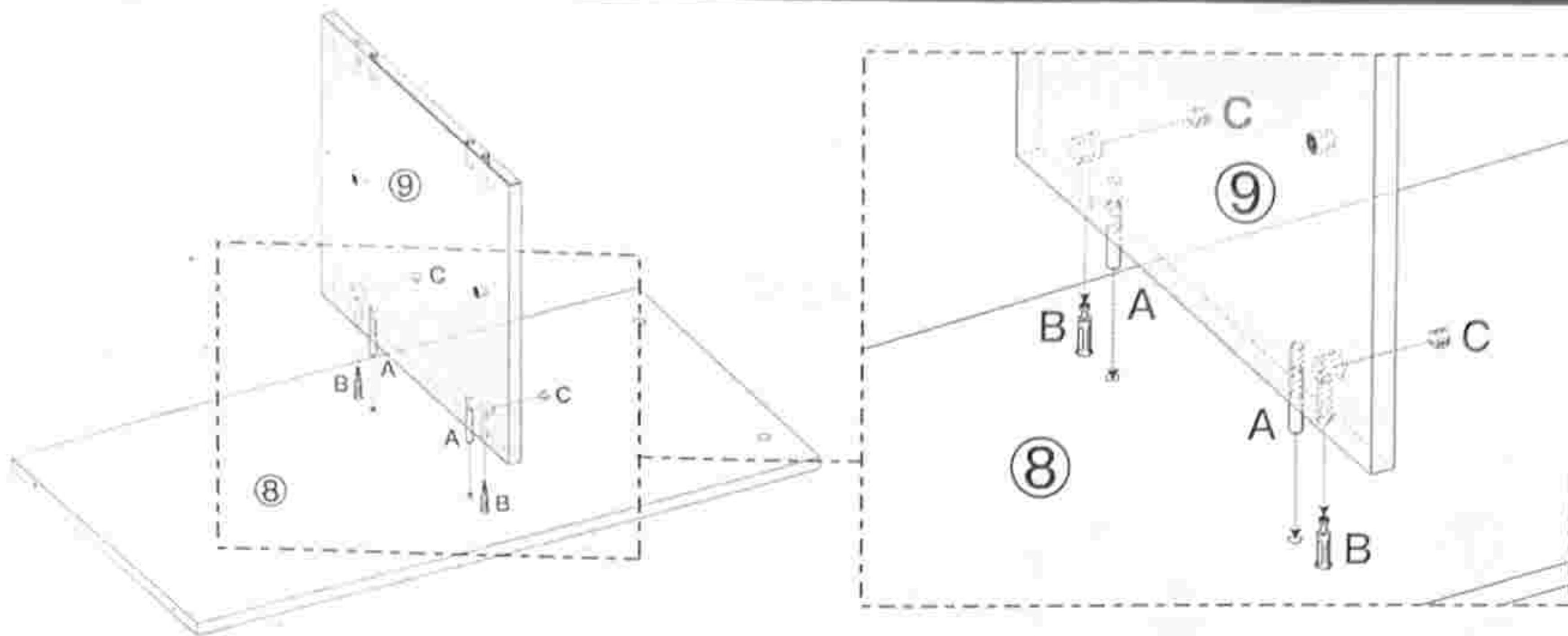


Phillips Screwdriver



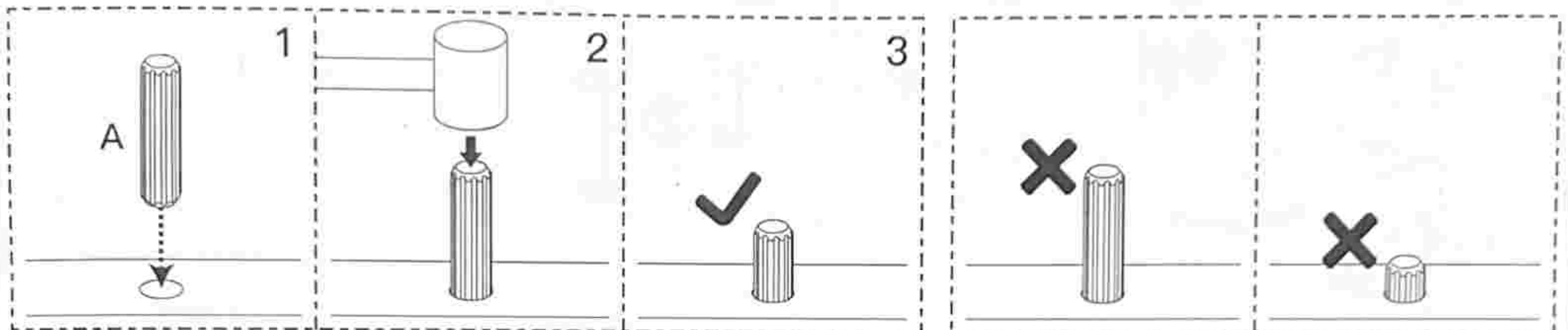
Rubber Mallet

## How the Assembly System Works



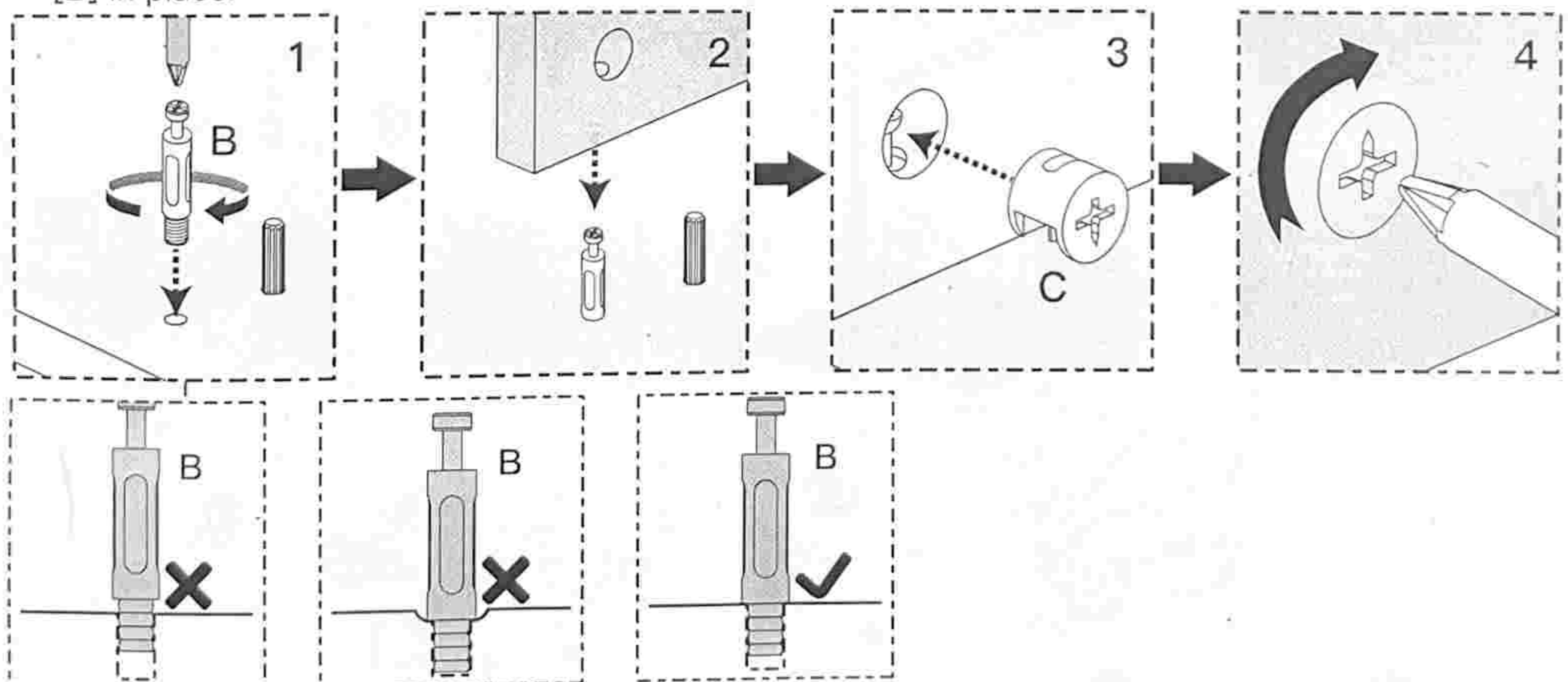
## How to Install Wood Dowel

Insert the wood dowel [A] at least half-way. IF NECESSARY, lightly tap the wood dowel with a self-supplied rubber mallet.



## Cam Lock System Operation

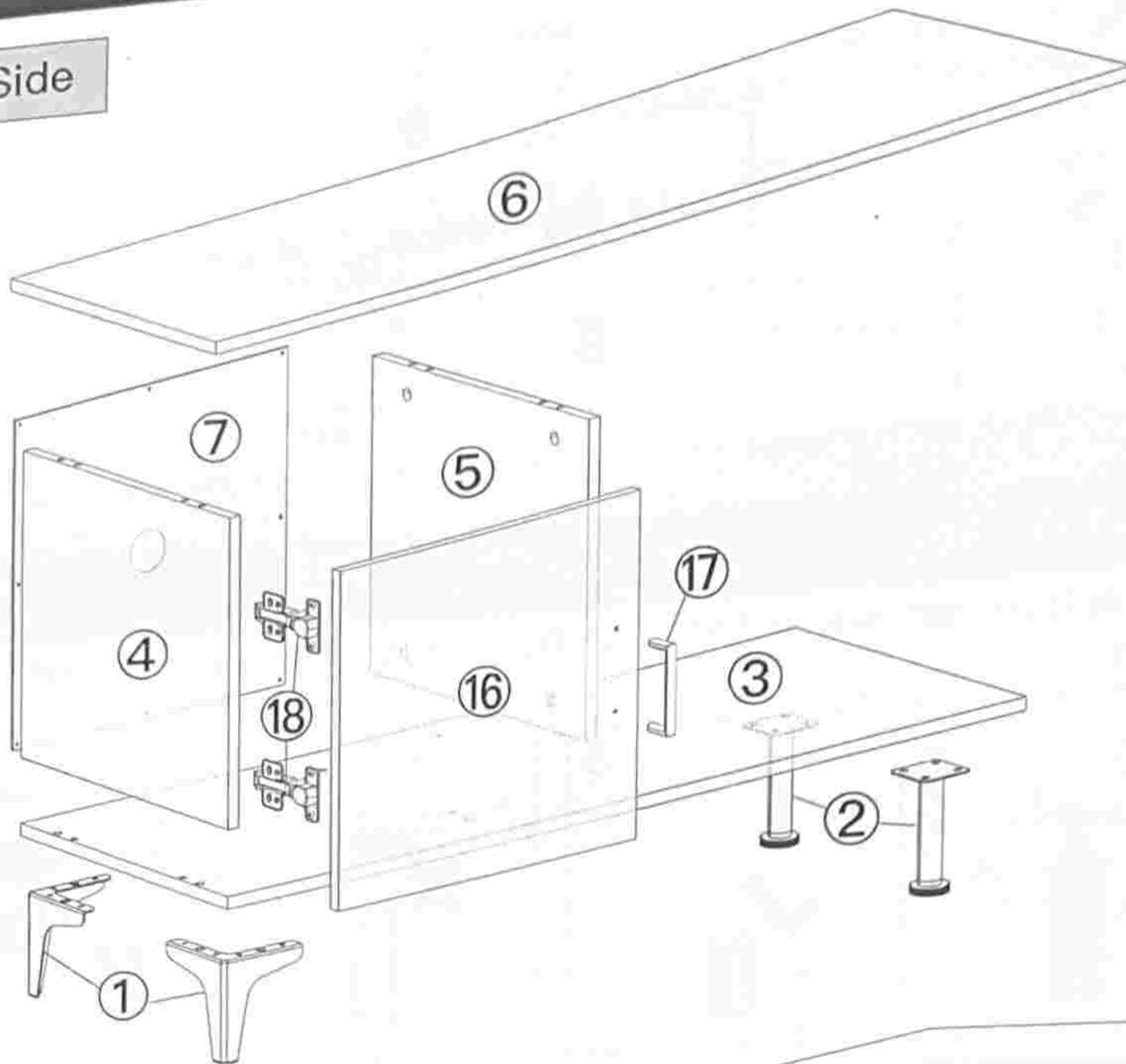
1. Screw the cam bolt [B] into the threaded insert on the panel.
2. Connect both panels together. Make sure cam bolt [B] goes into the small pre-drilled hole on the end of the panel.
3. Insert the cam lock [C] into the pre-drilled large cam lock hole on the panel. Make sure the open slot faces the head of the cam bolt [B].
4. Rotate the cam lock [C] clockwise with a self-supplied Phillips screwdriver to lock the cam bolt [B] in place.



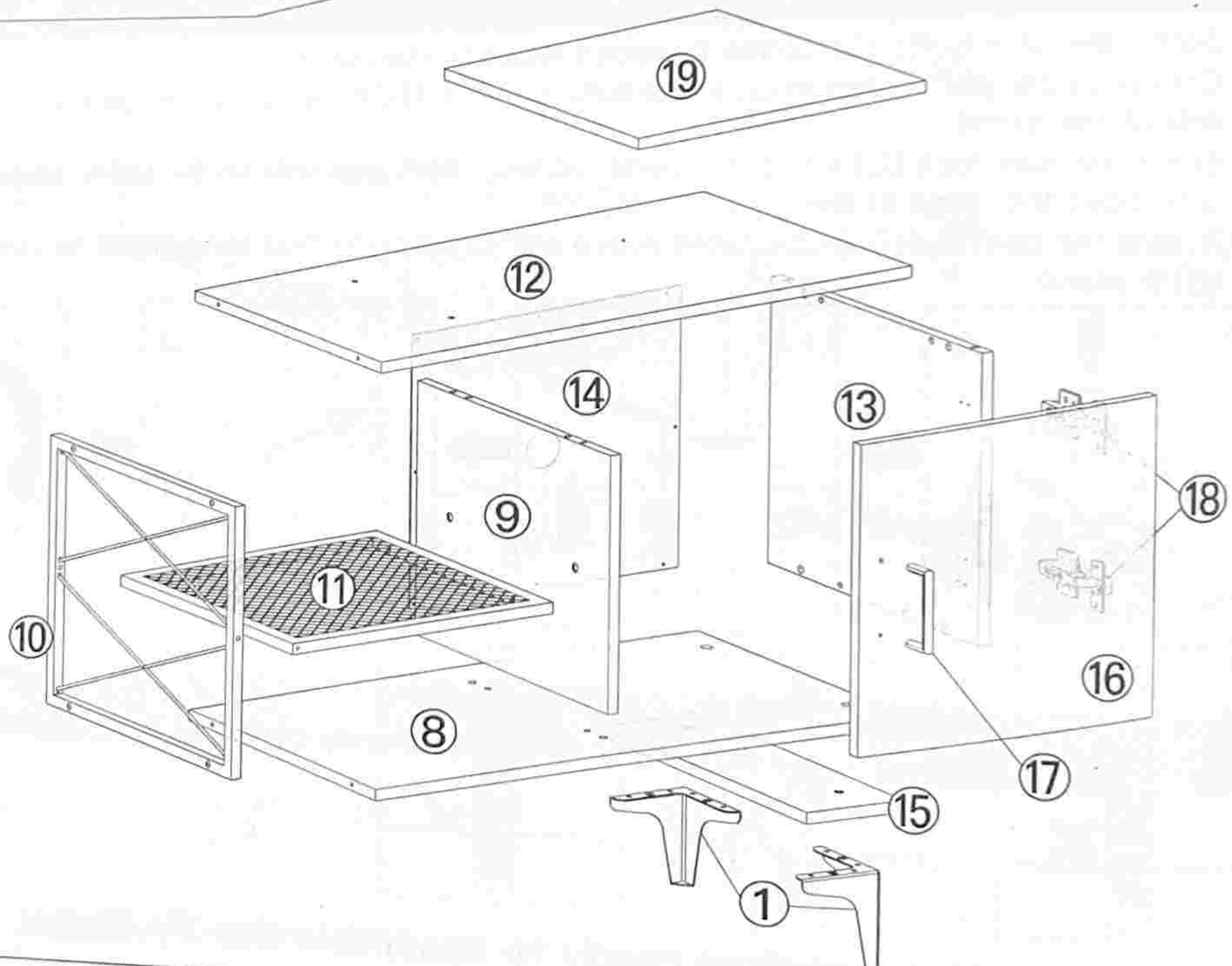
You are now ready to assemble the TV Stand.

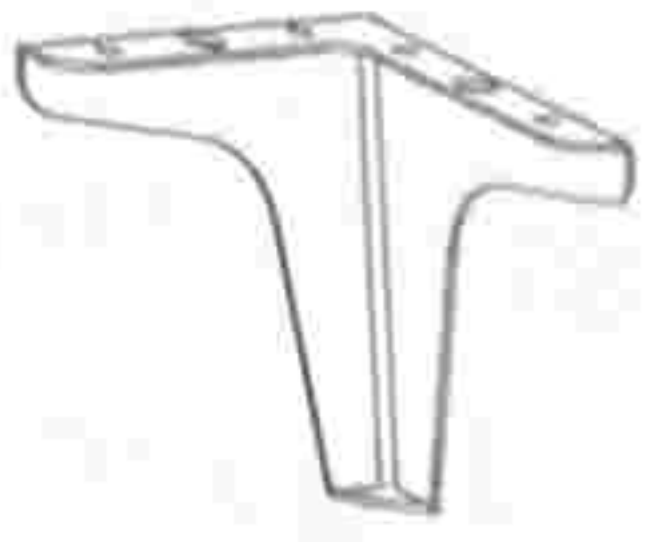
# Exploded Drawing

L Side



R Side

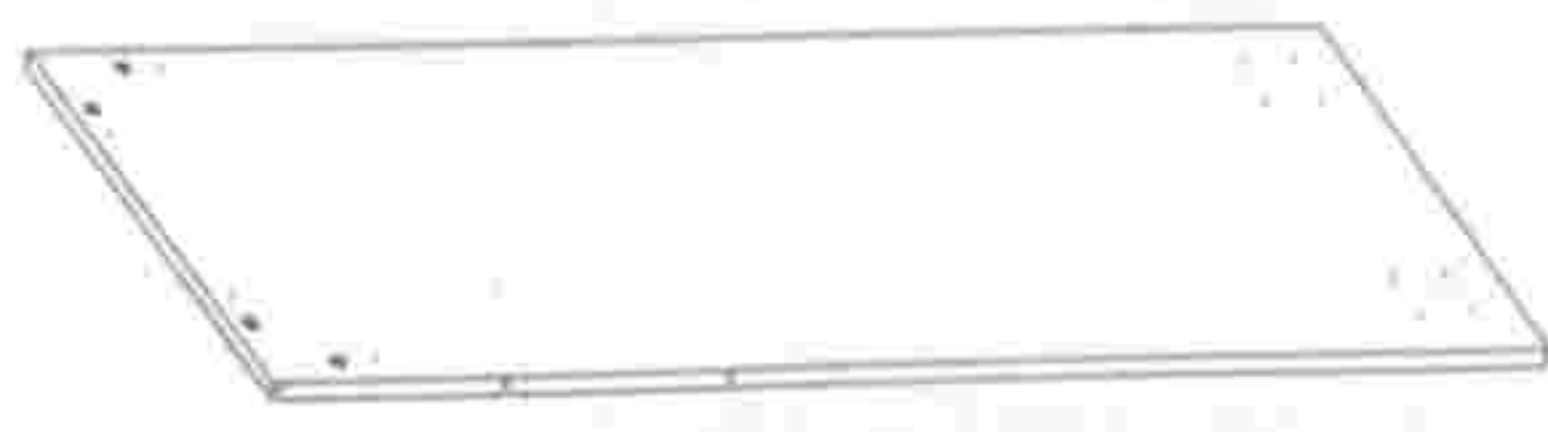




① x4



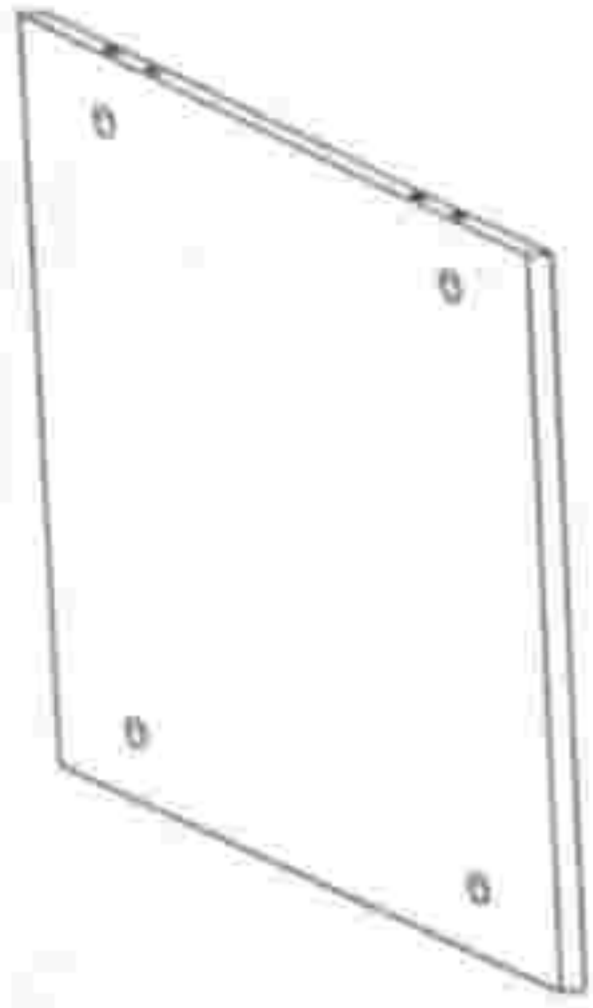
② x2



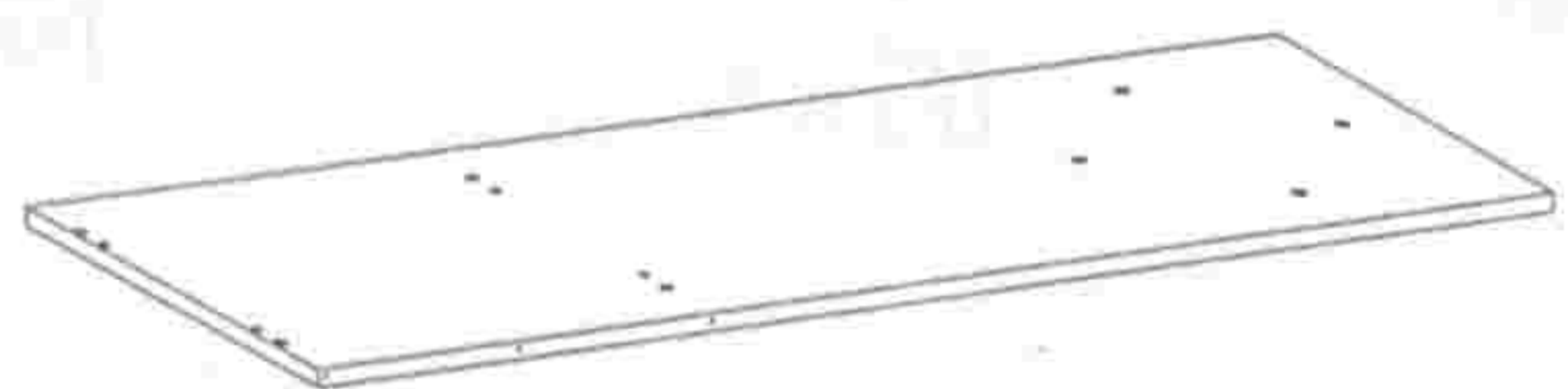
③ x1



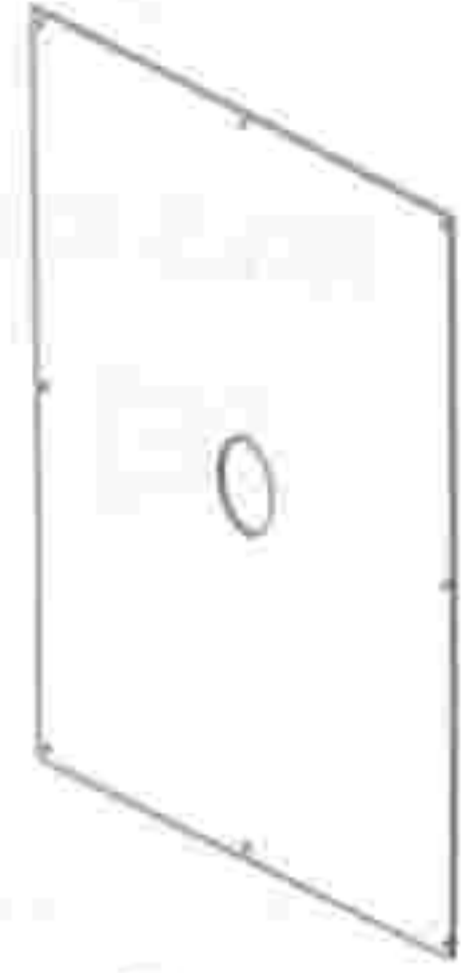
④ x1



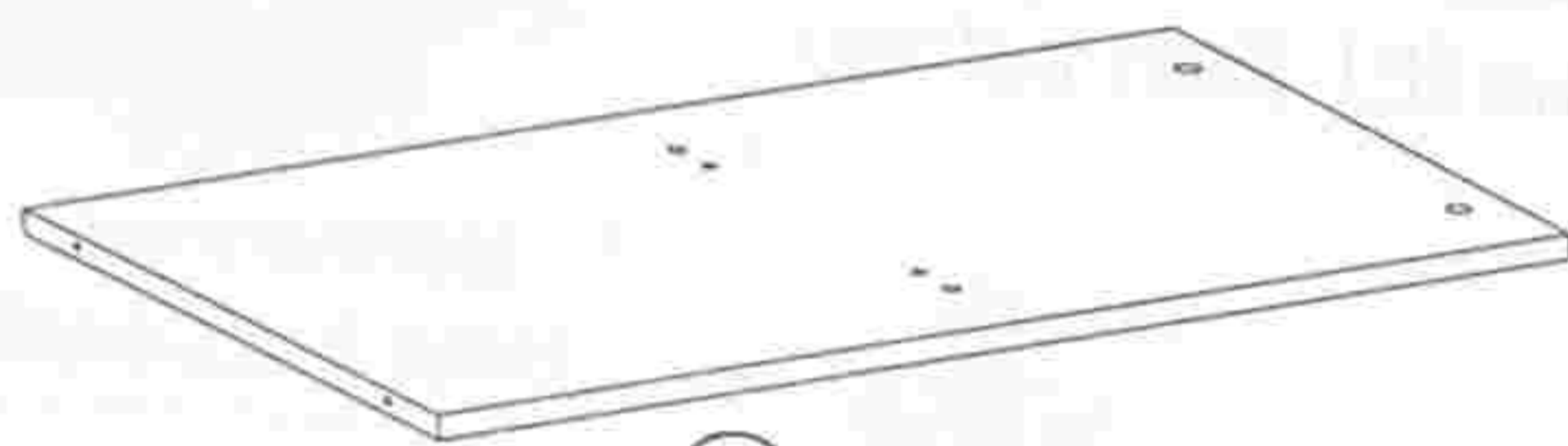
⑤ x1



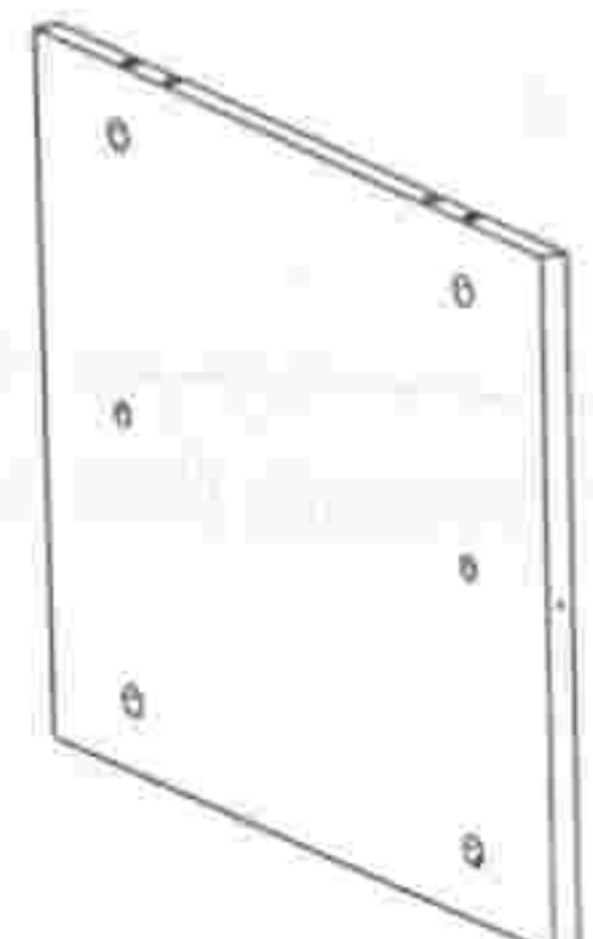
⑥ x1



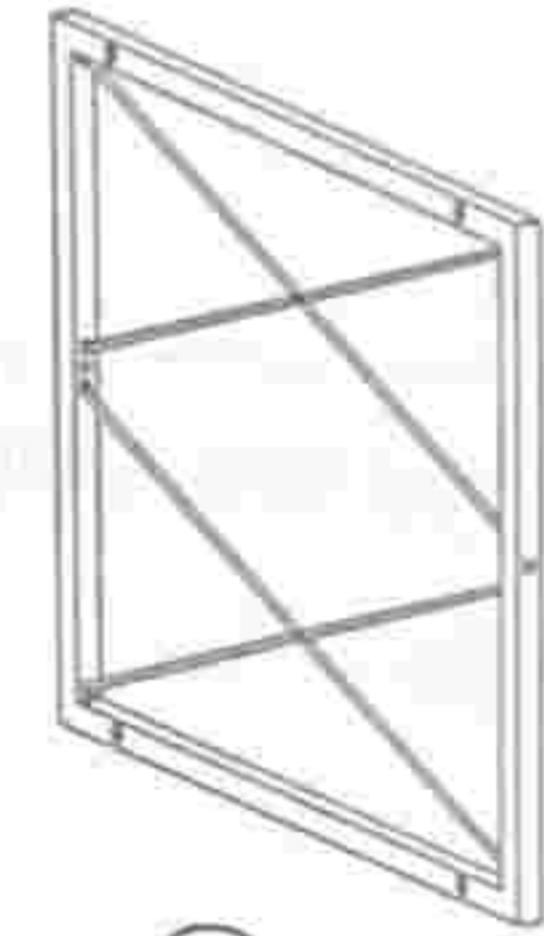
⑦ x1



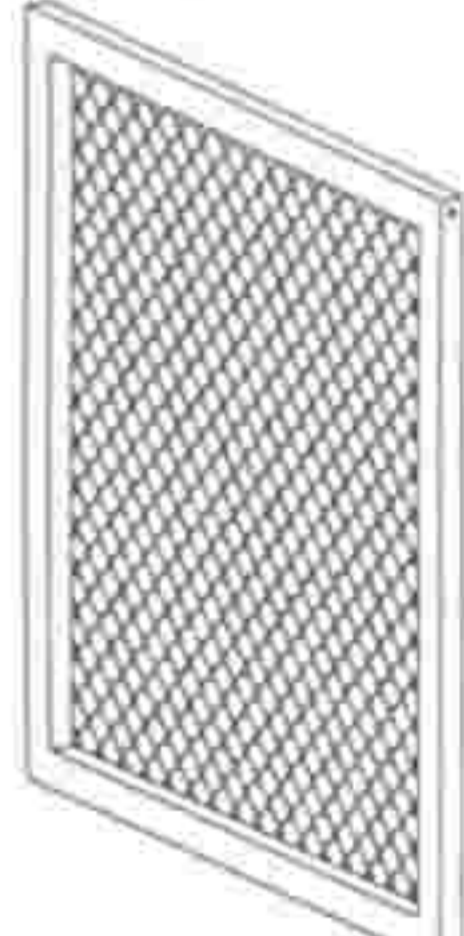
⑧ x1



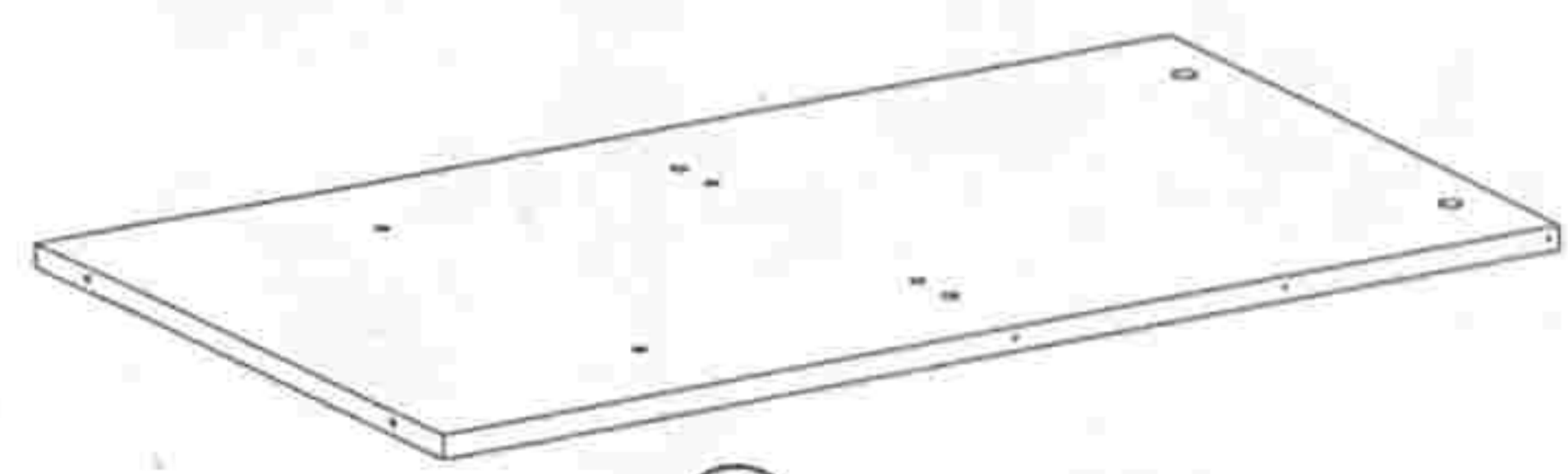
⑨ x1



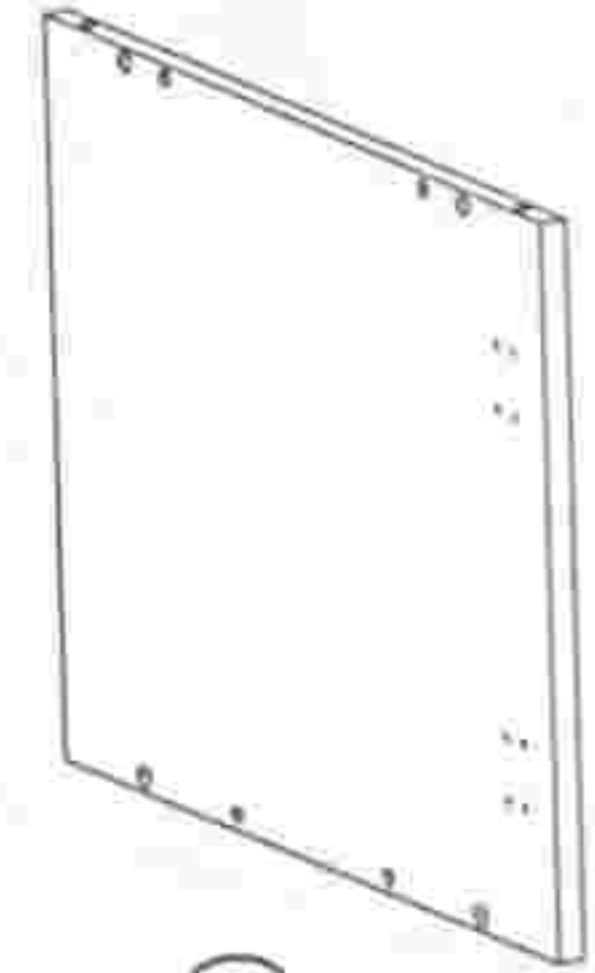
⑩ x1



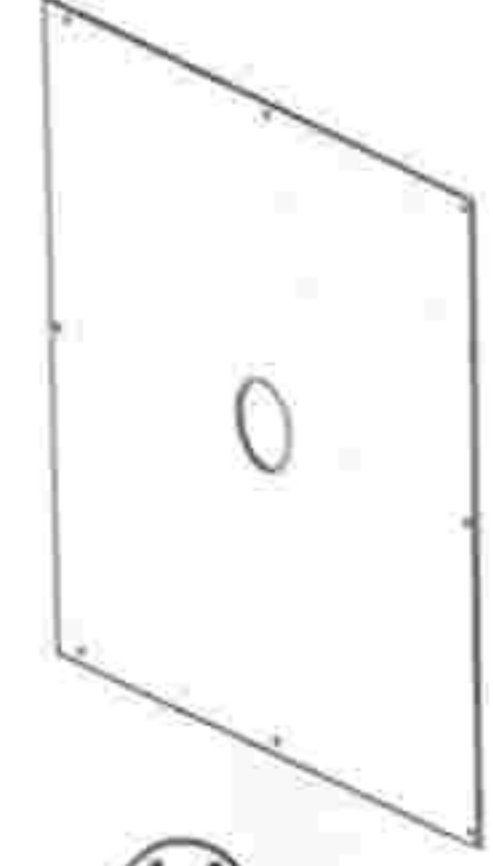
⑪ x1



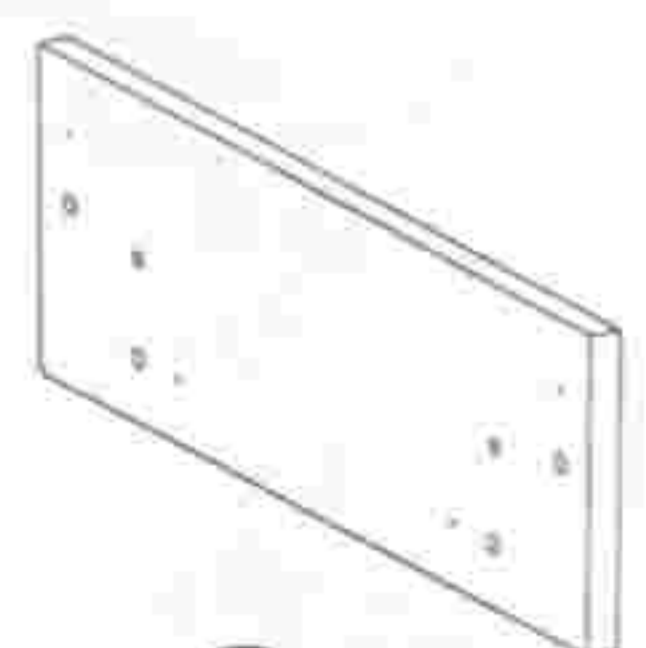
⑫ x1



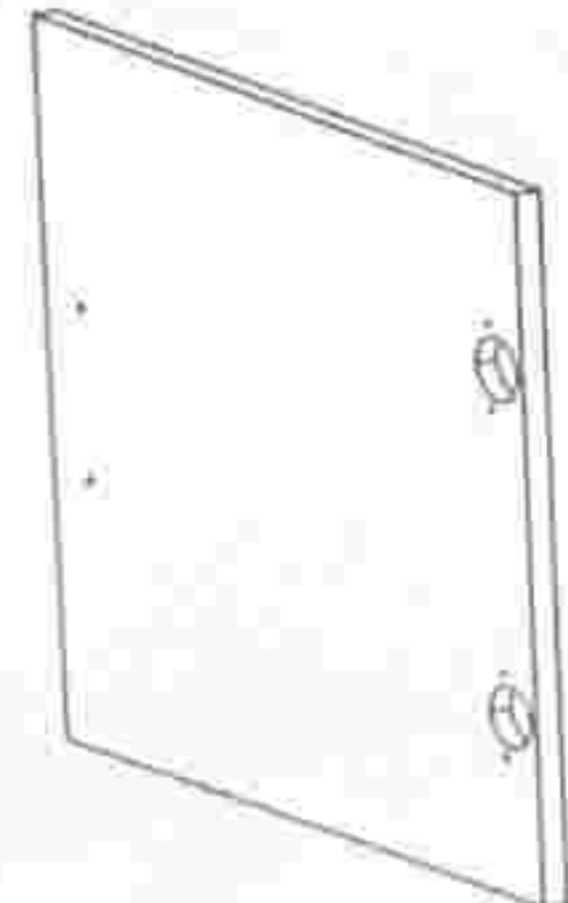
⑬ x1



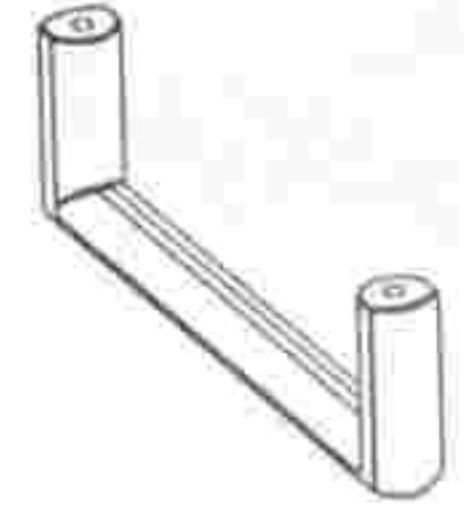
⑭ x1



⑮ x1



⑯ x2



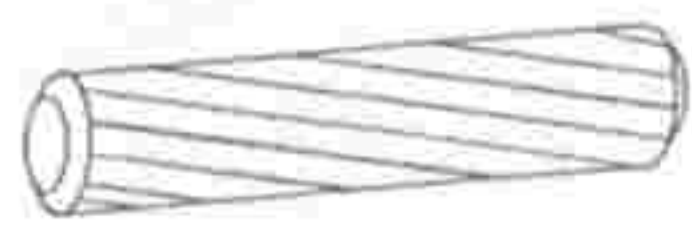
⑰ x2



⑱ x4



⑲ x1



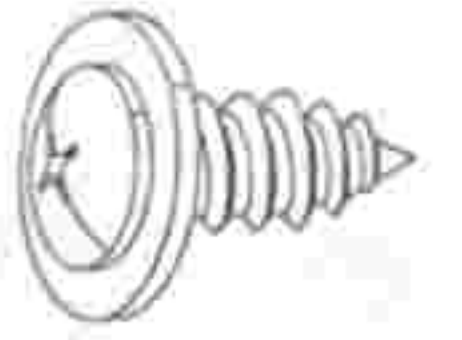
[A] x 18



[B] x 16

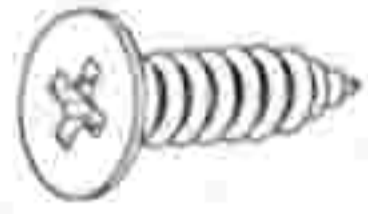


[C] x 16



ST3.5 x 14mm

[D] x 16



M3.5 X 14mm

[E] x 40



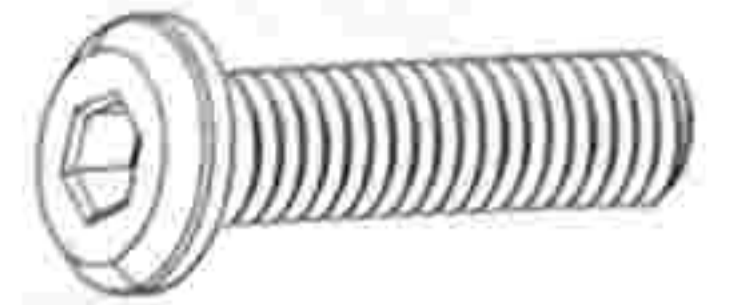
M4 X 20mm

[F] x 4



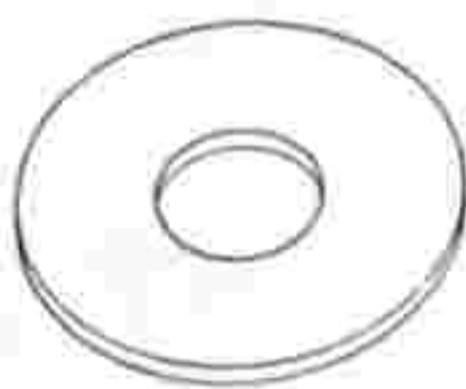
M6 X 10mm

[G] x 8



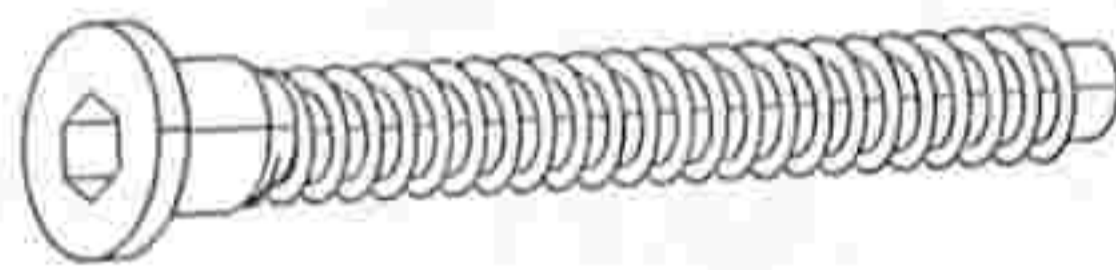
M6 X 25mm

[H] x 8



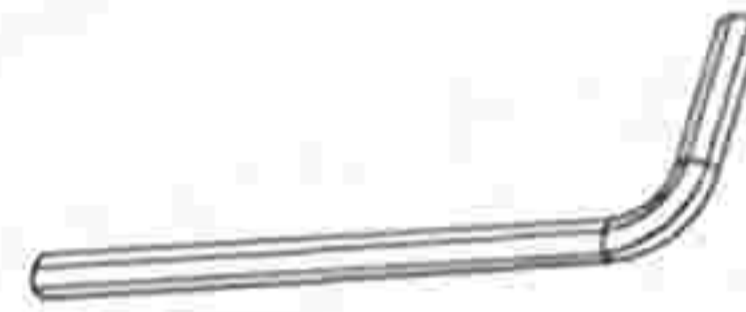
φ16mm

[I] x 8



M6 X 50mm

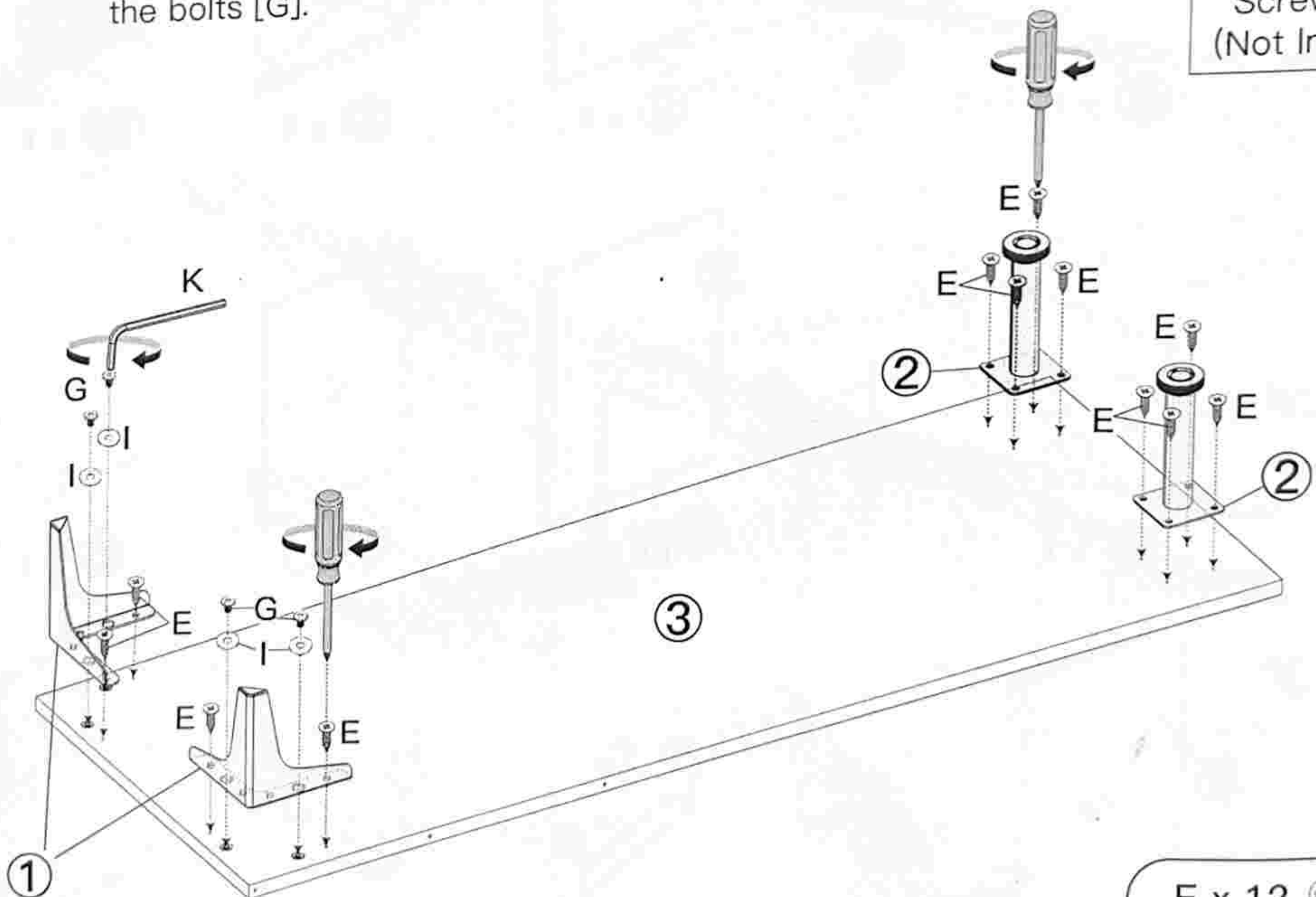
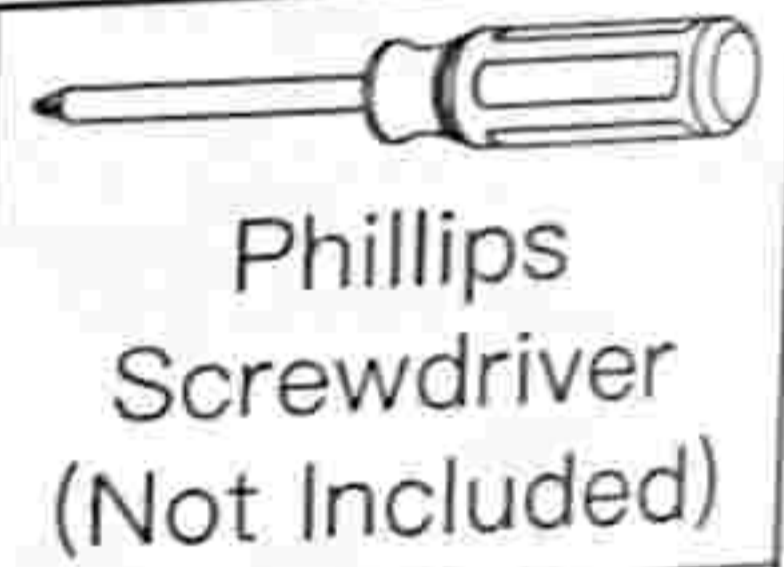
[J] x 4






[K] x 1

### STEP 1

Assemble the left side. First thread the screws [E], then tighten the bolts [G].

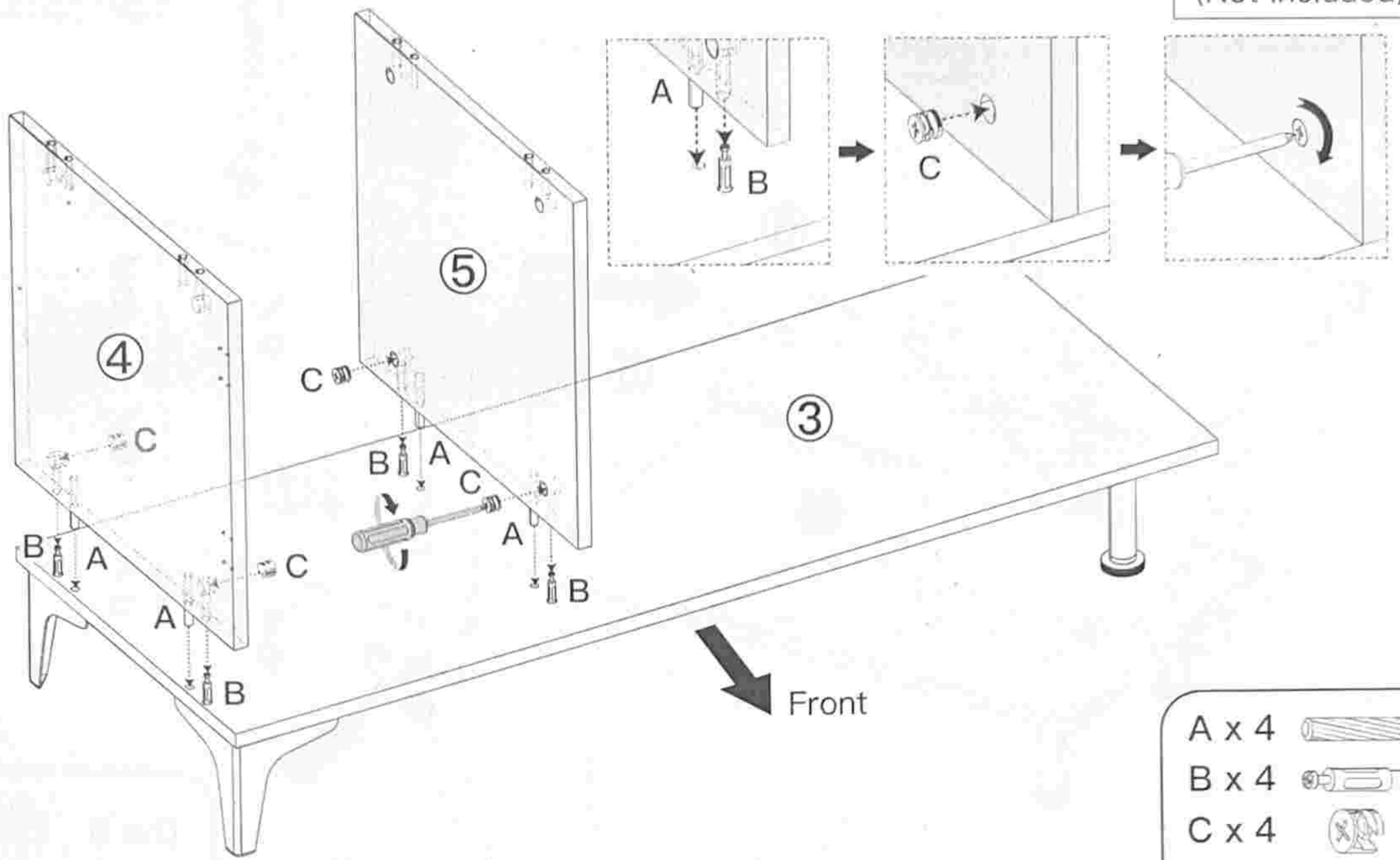





- E x 12 
- I x 4 
- G x 4 

## STEP 2

NOTE: The side of the panels ④ and ⑤ with 4 large cam lock holes should face the inside, while the 8 small holes on panel ④ should be positioned near the front.

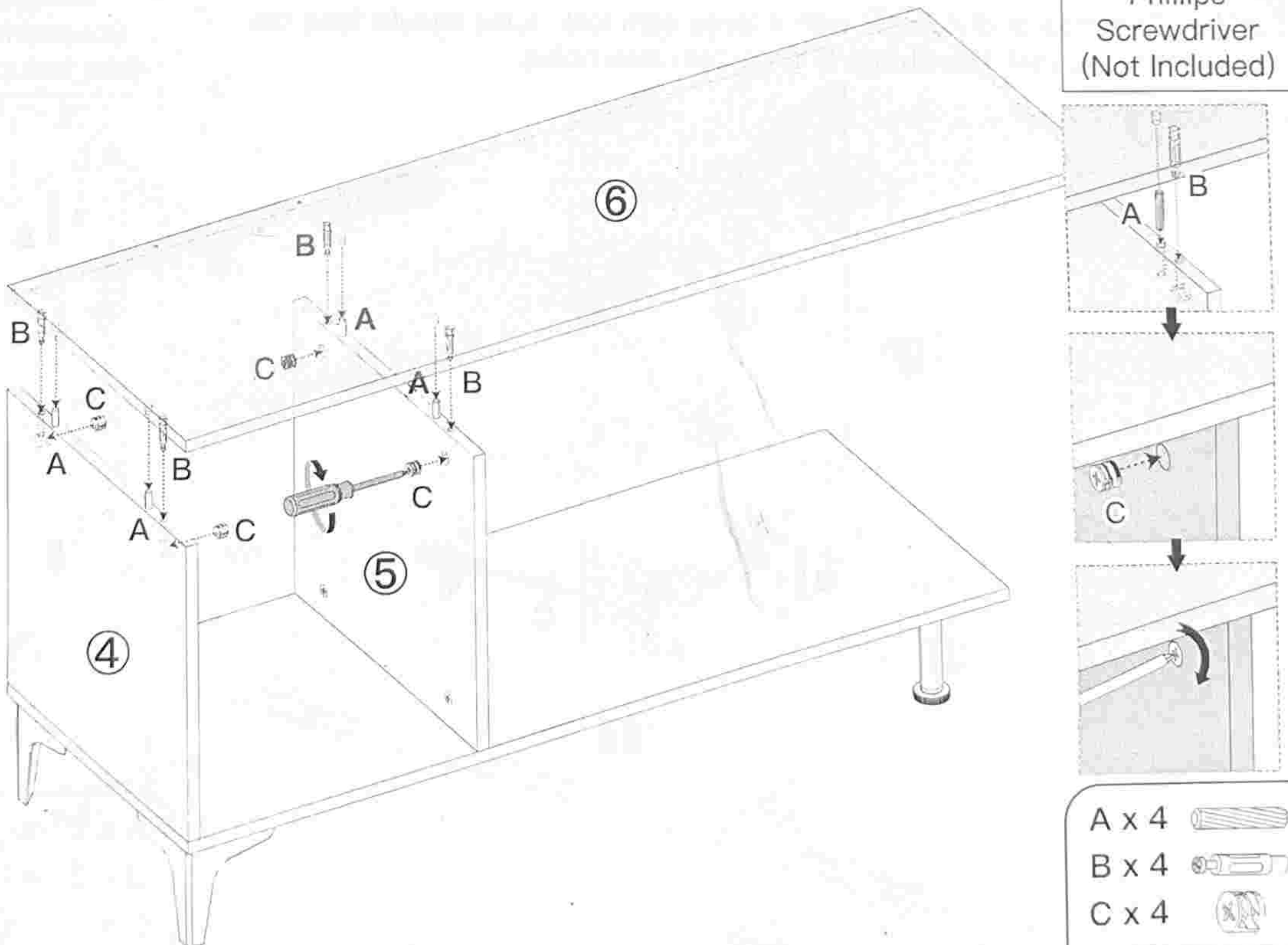
  
Phillips  
Screwdriver  
(Not Included)






A x 4   
B x 4   
C x 4 

## STEP 3

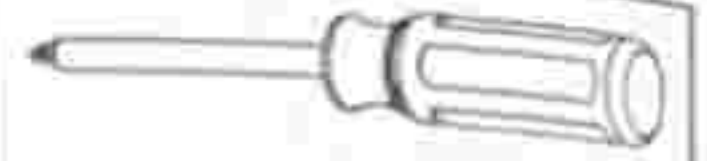
  
Phillips  
Screwdriver  
(Not Included)



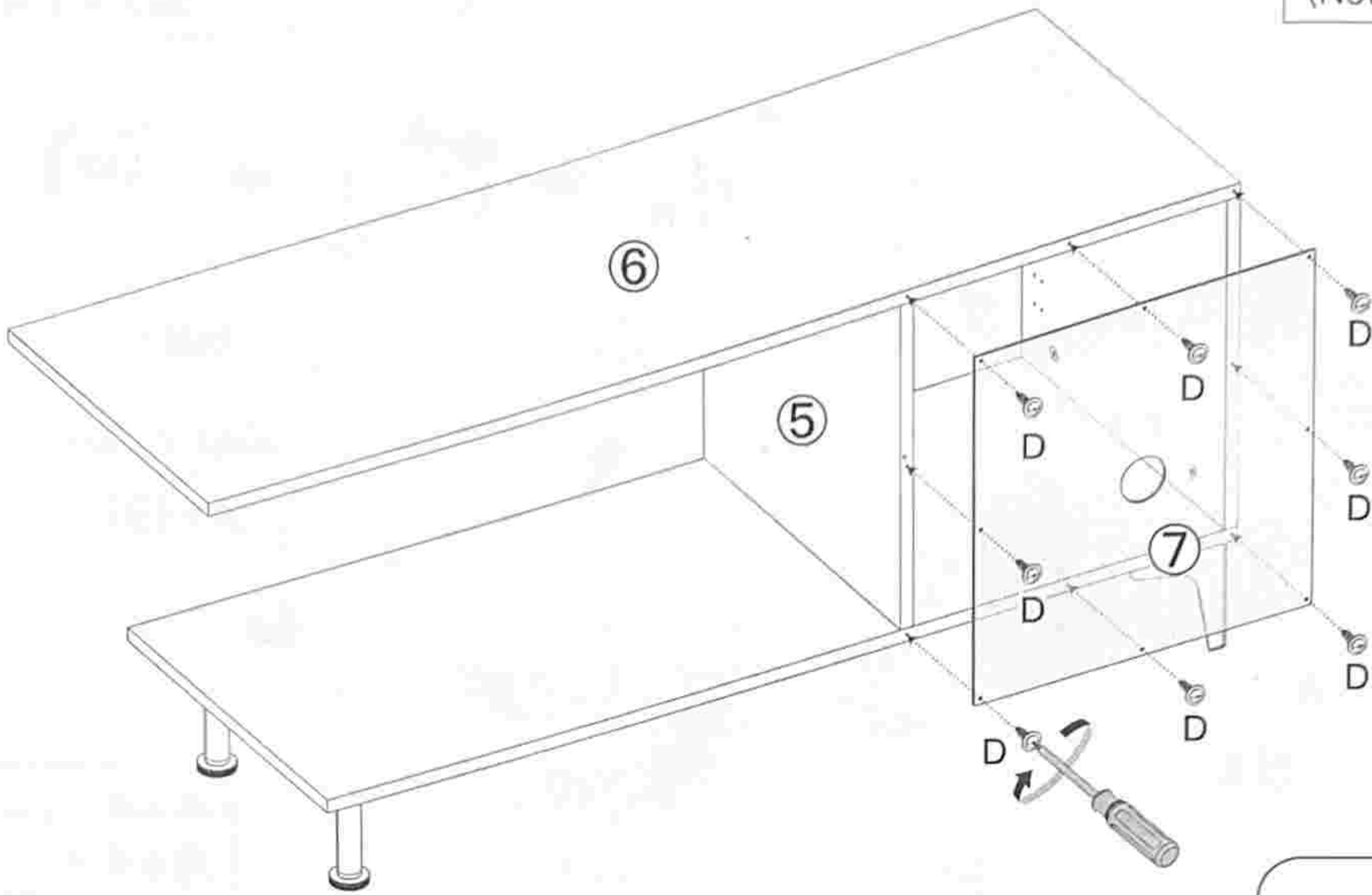
A x 4   
B x 4   
C x 4 



# STEP 4



Phillips  
Screwdriver  
(Not Included)

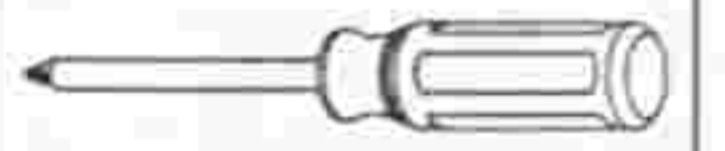


D x 8

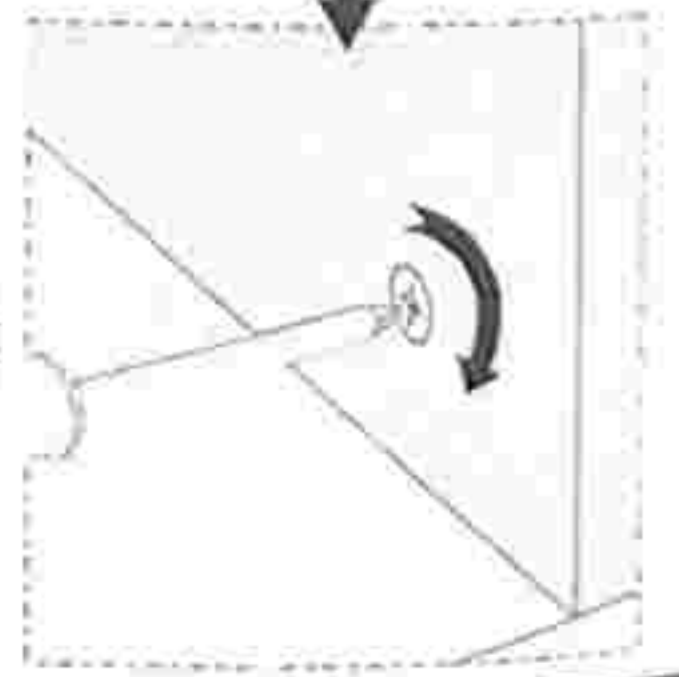
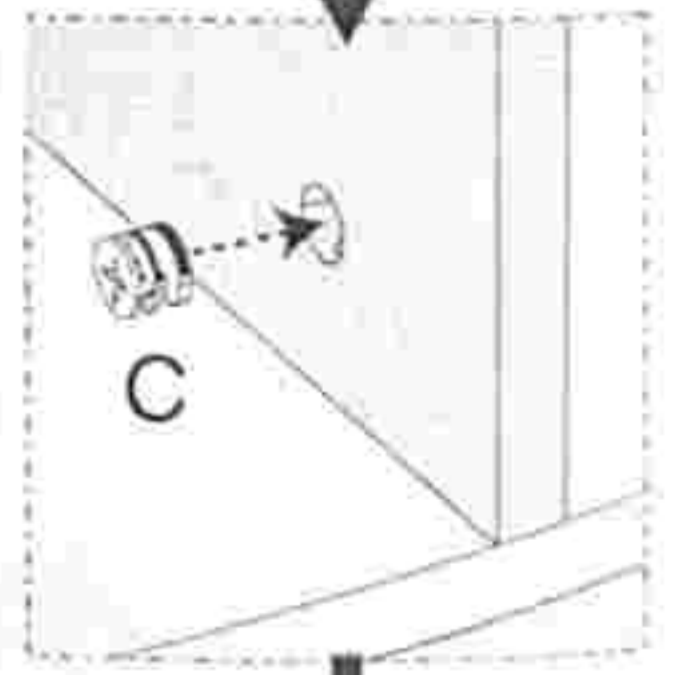
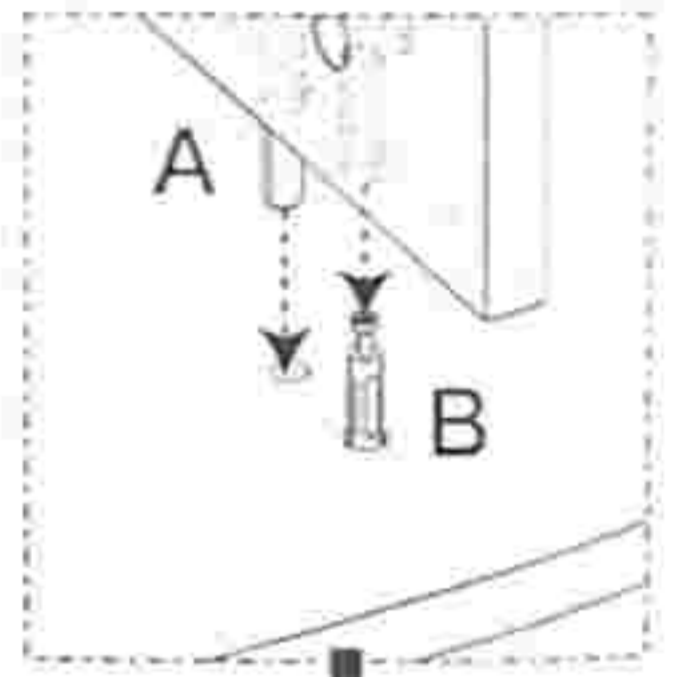
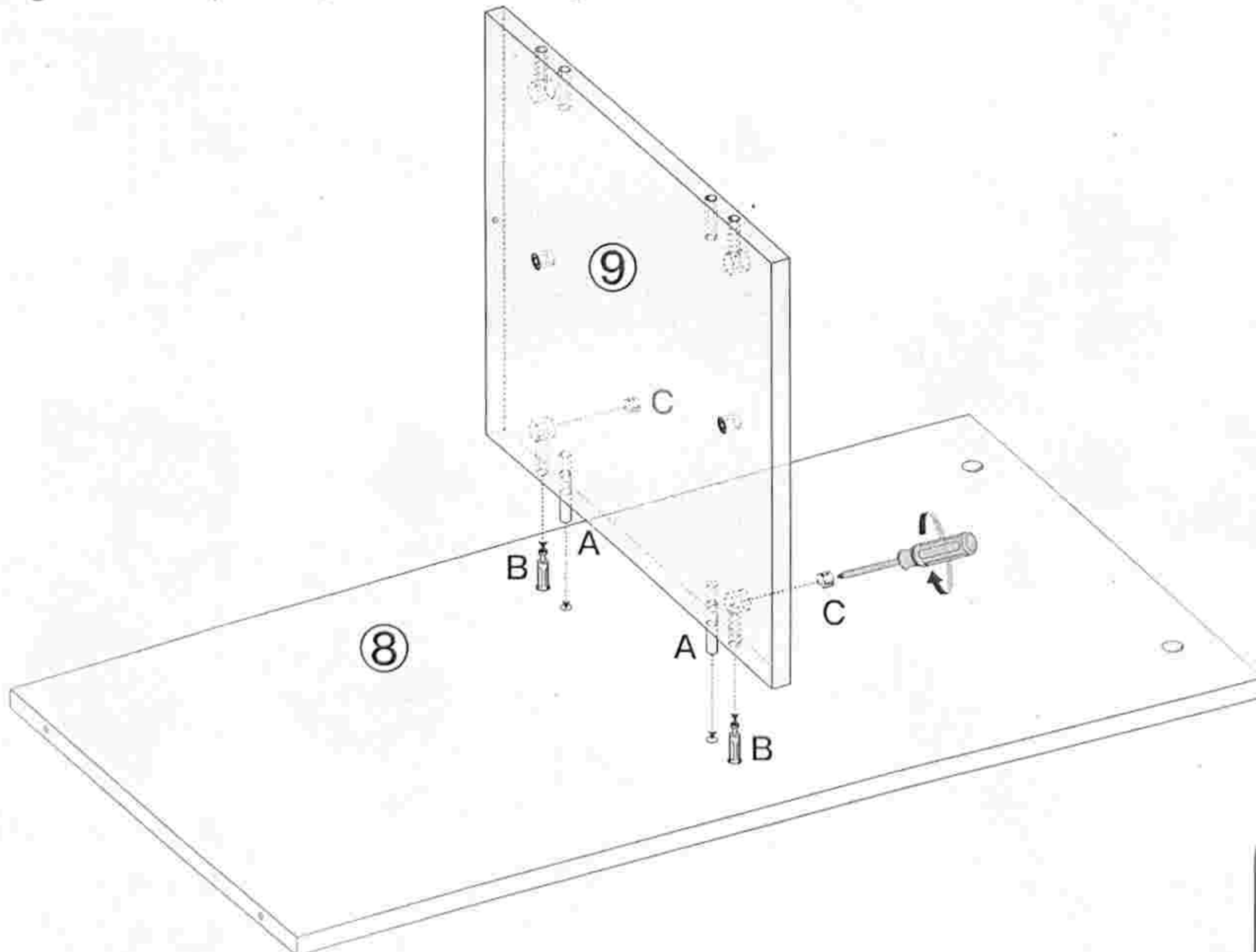


# STEP 5 Assemble the right side.

NOTE: The side of divider ⑨ with 4 large cam lock holes should face the right side of panel ⑧ with the 2 large cam lock holes.



Phillips  
Screwdriver  
(Not Included)



A x 2



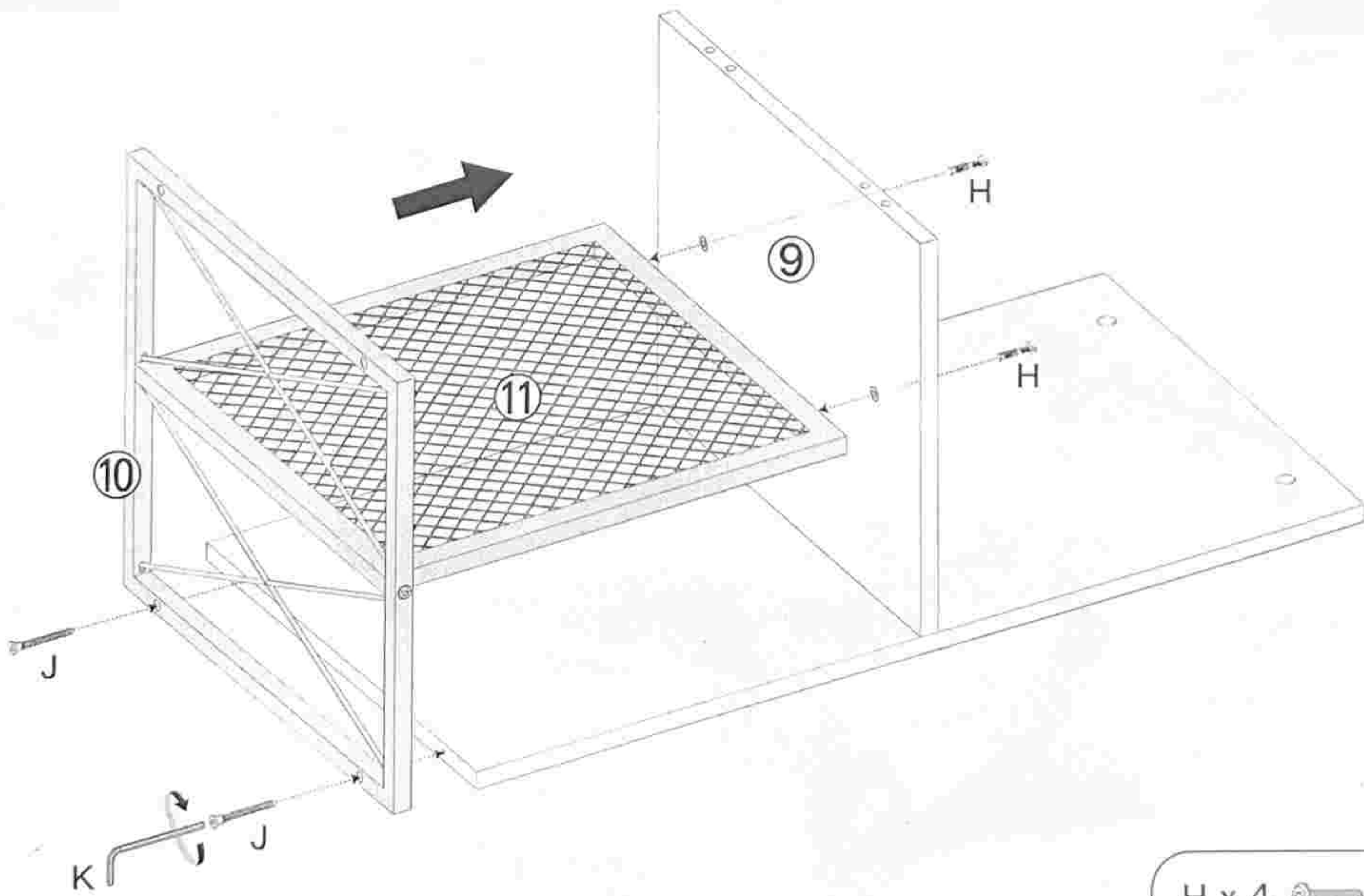
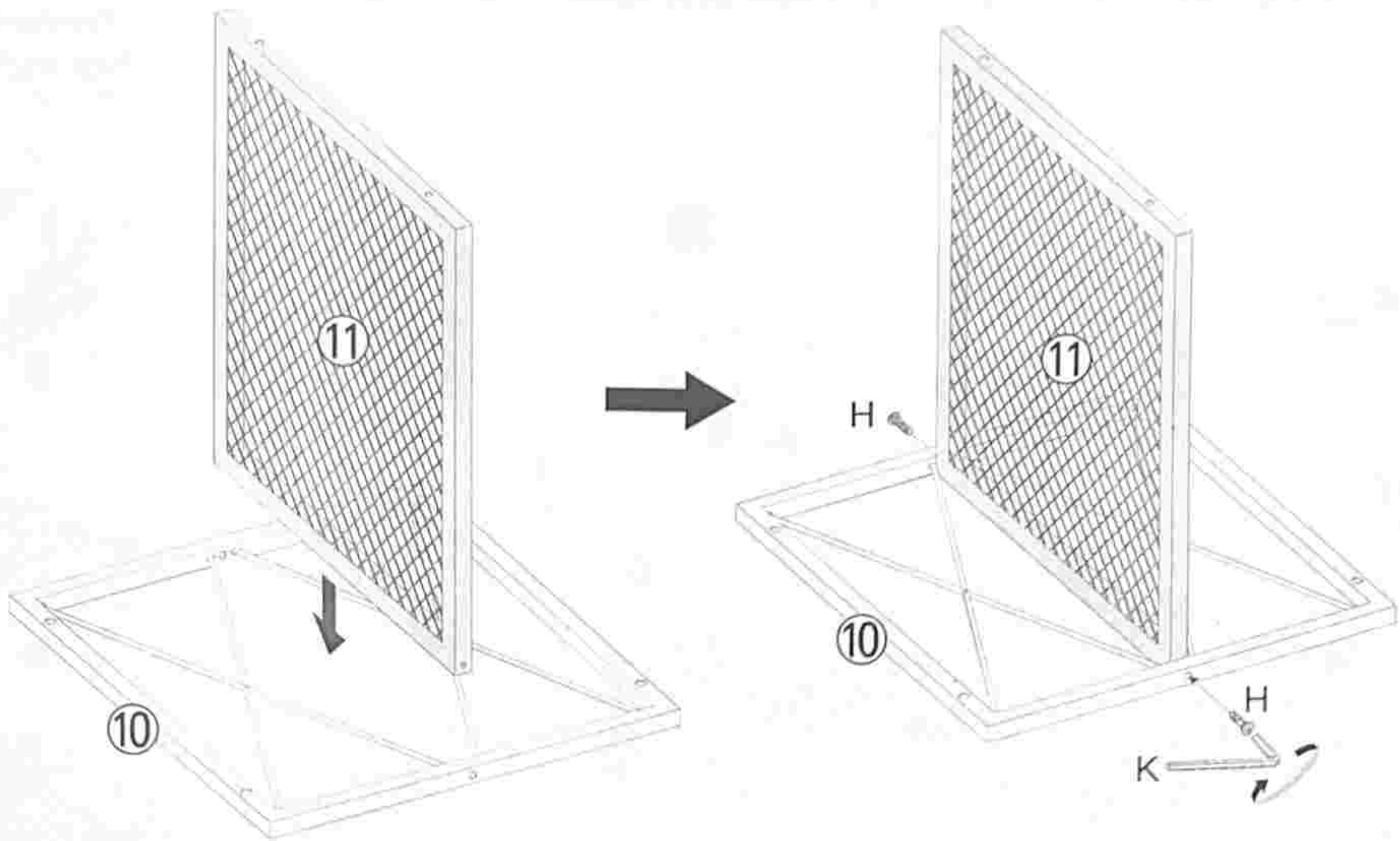
B x 2





C x 2



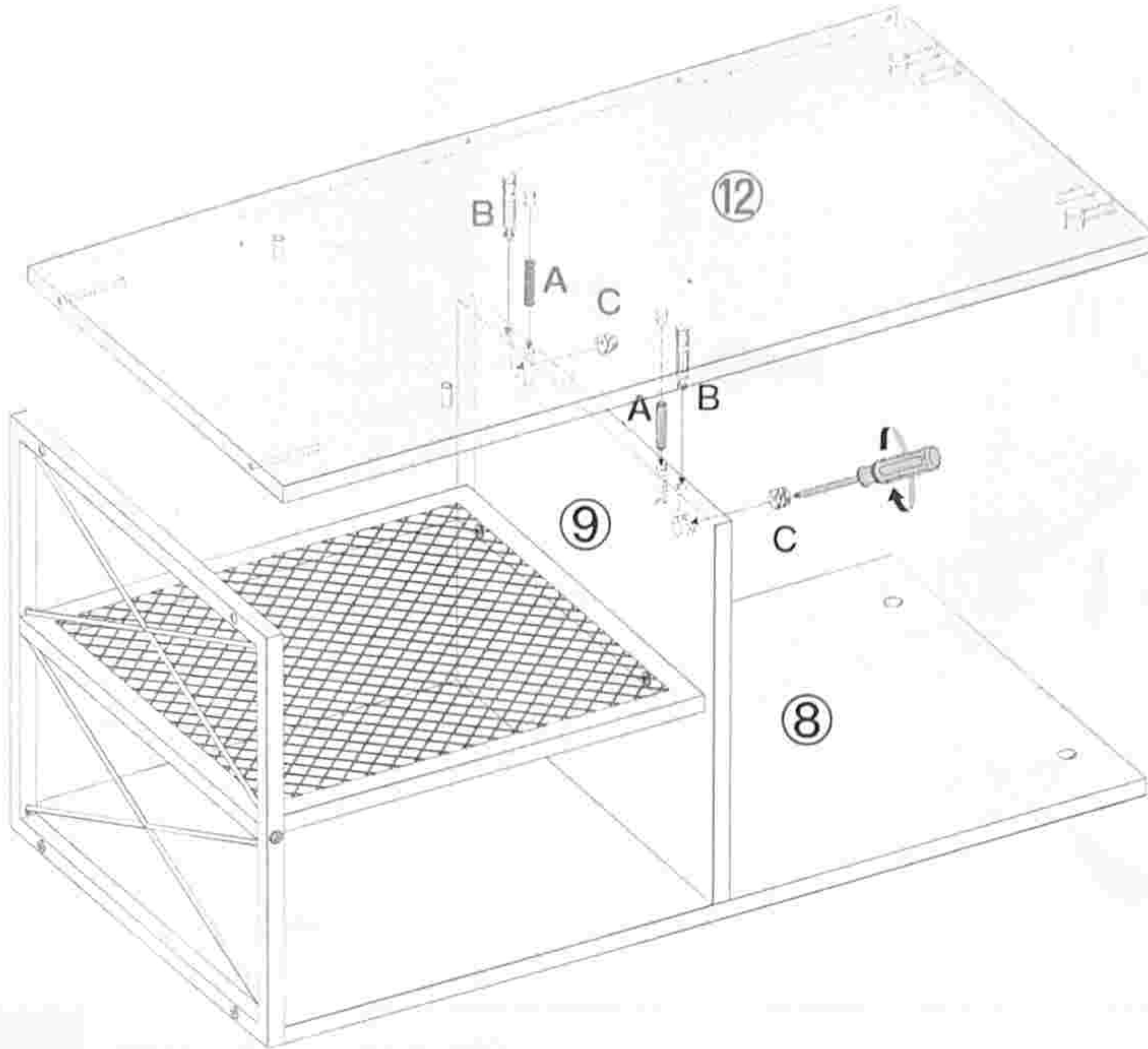
**STEP 6**



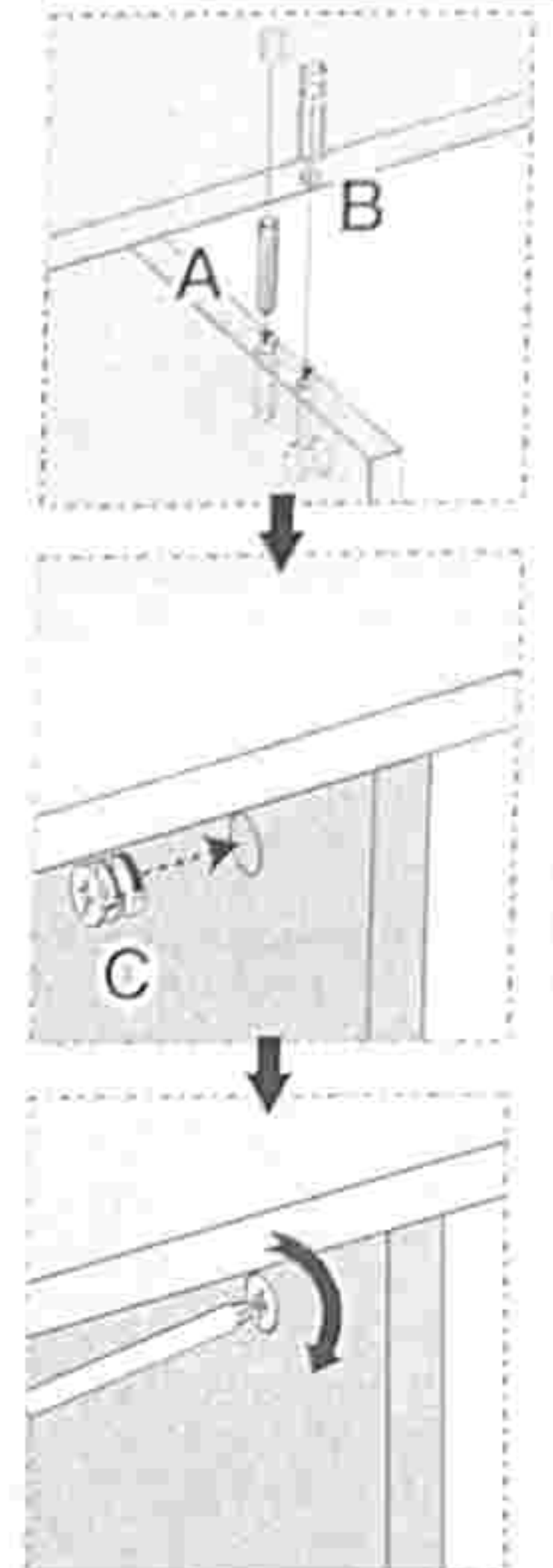
- H x 4 
- J x 2 




# STEP 7

NOTE: The 2 large cam lock holes on panel ⑫ should be on the right side to line up with the cam lock holes on panel ⑧.

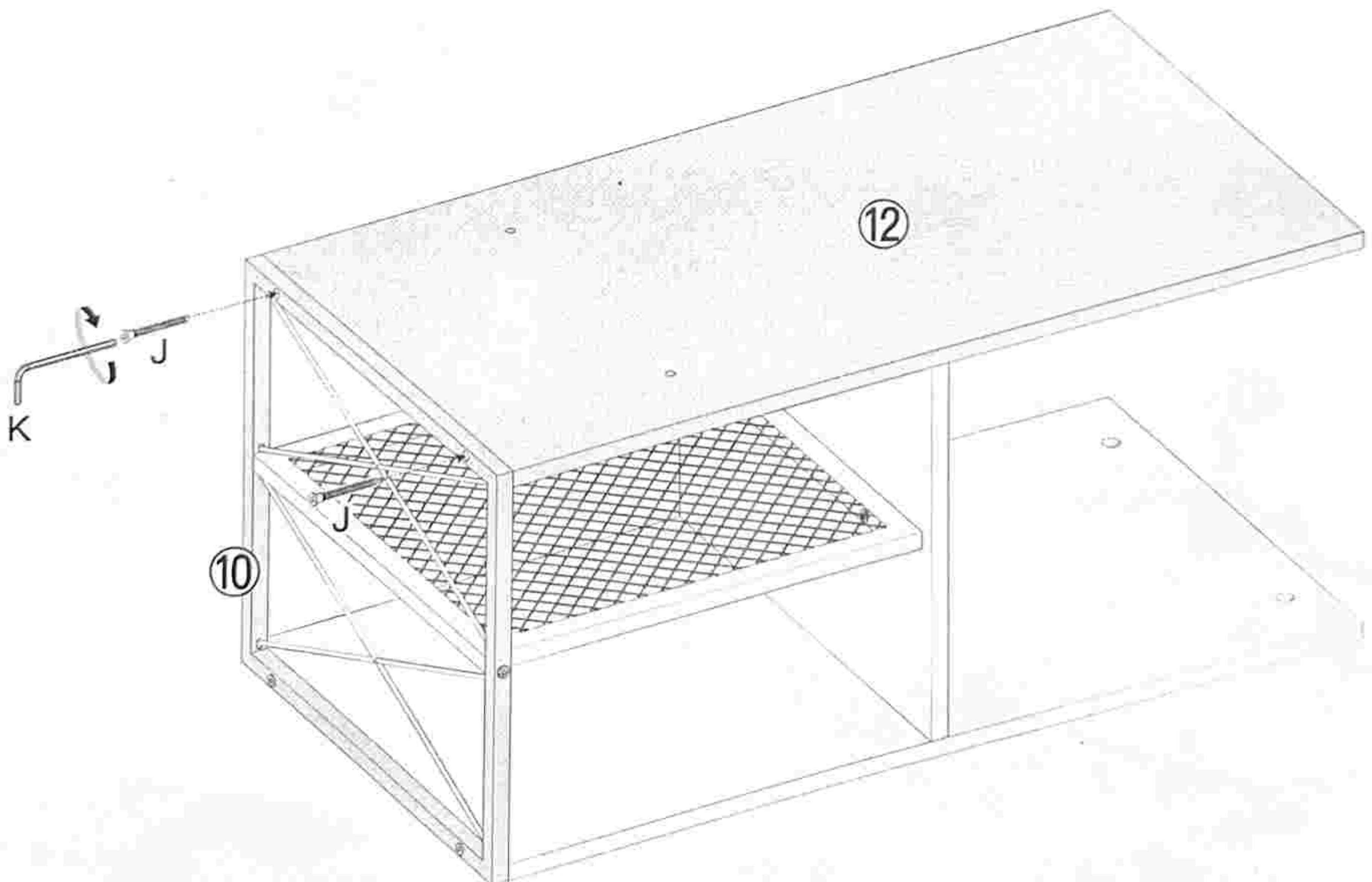


  
Phillips  
Screwdriver  
(Not Included)



- A x 2 
- B x 2 
- C x 2 

# STEP 8

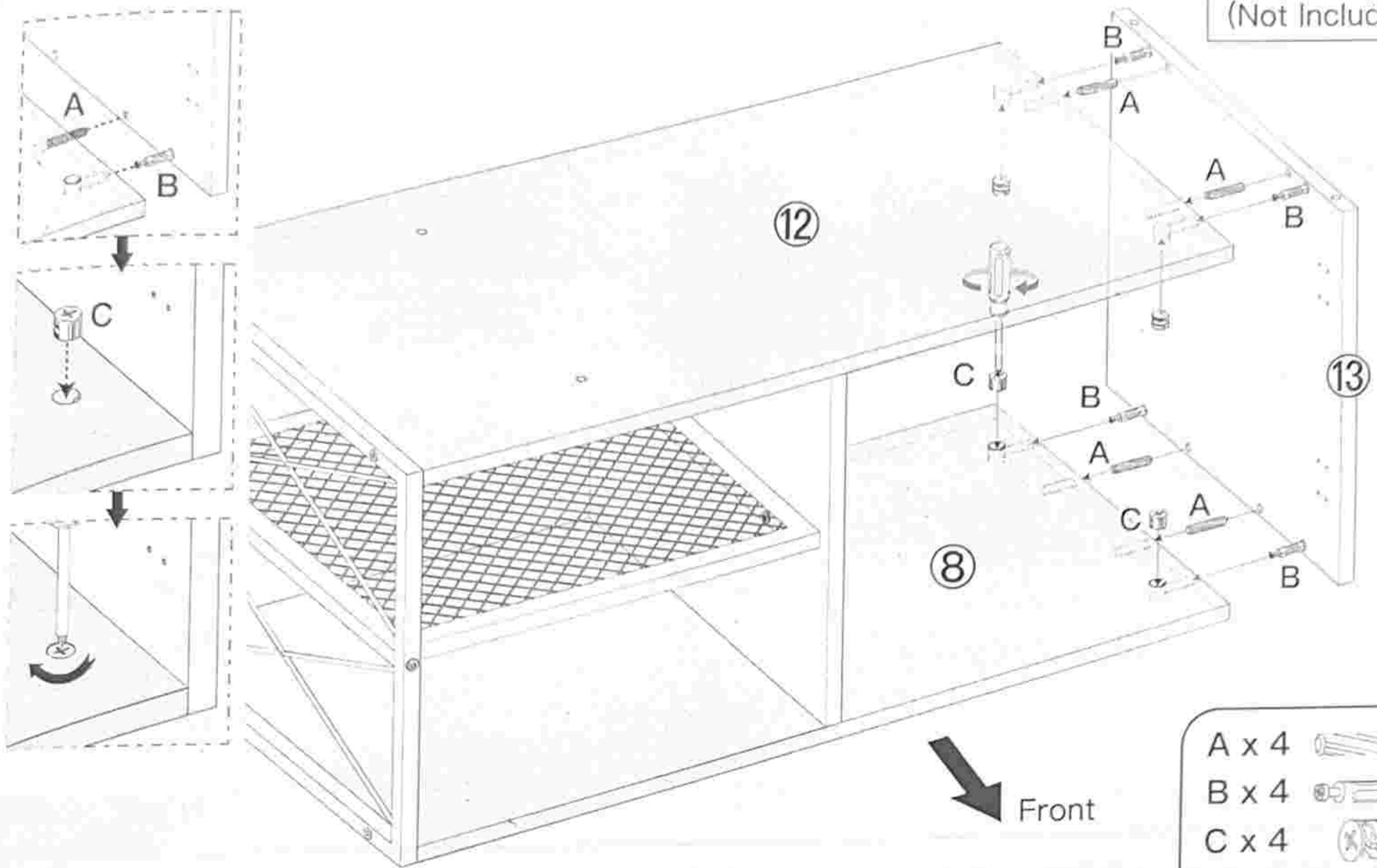


- J x 2 

# STEP 9

NOTE: The 8 small holes on panel 13 face the front.

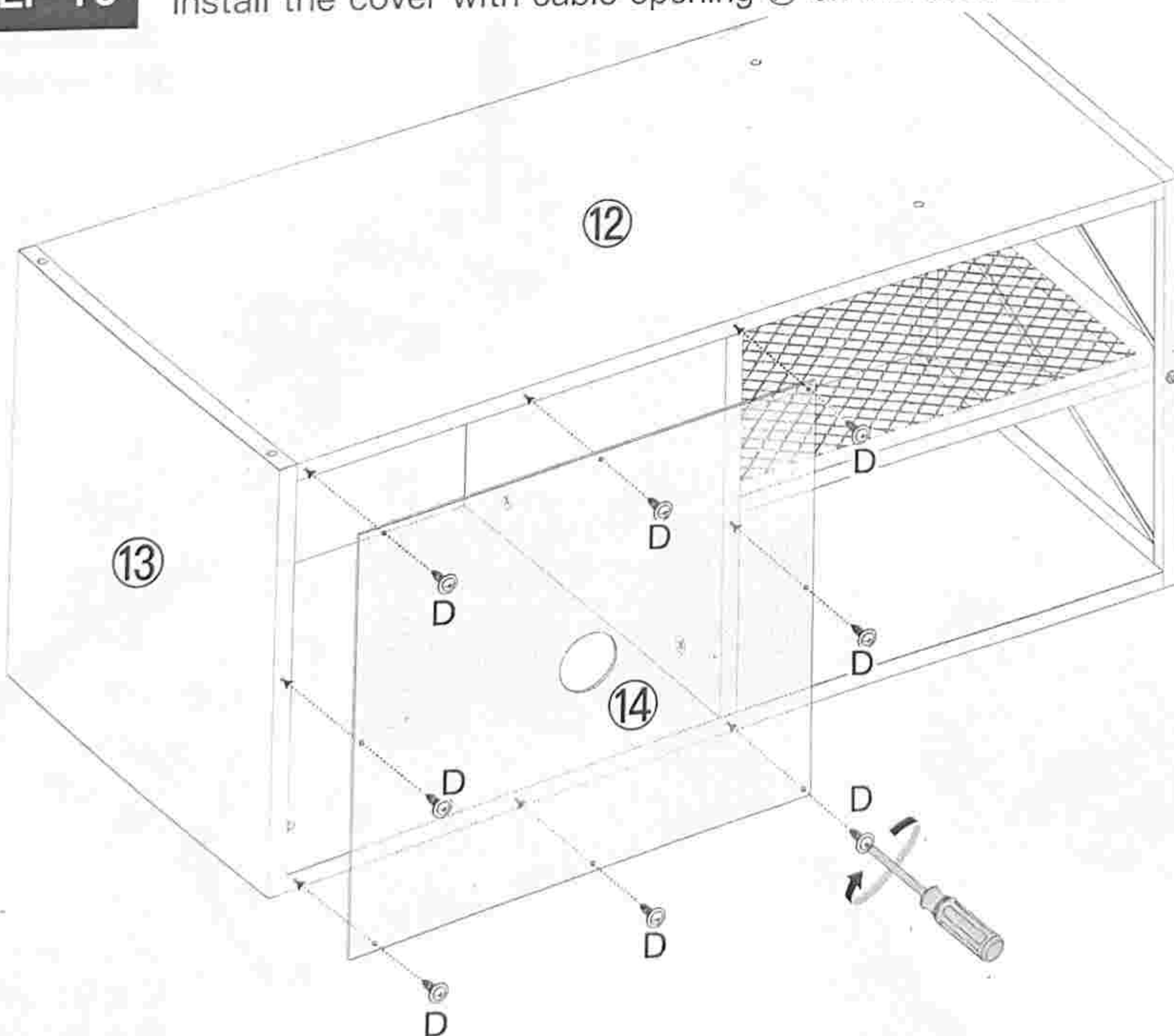
  
Phillips  
Screwdriver  
(Not Included)



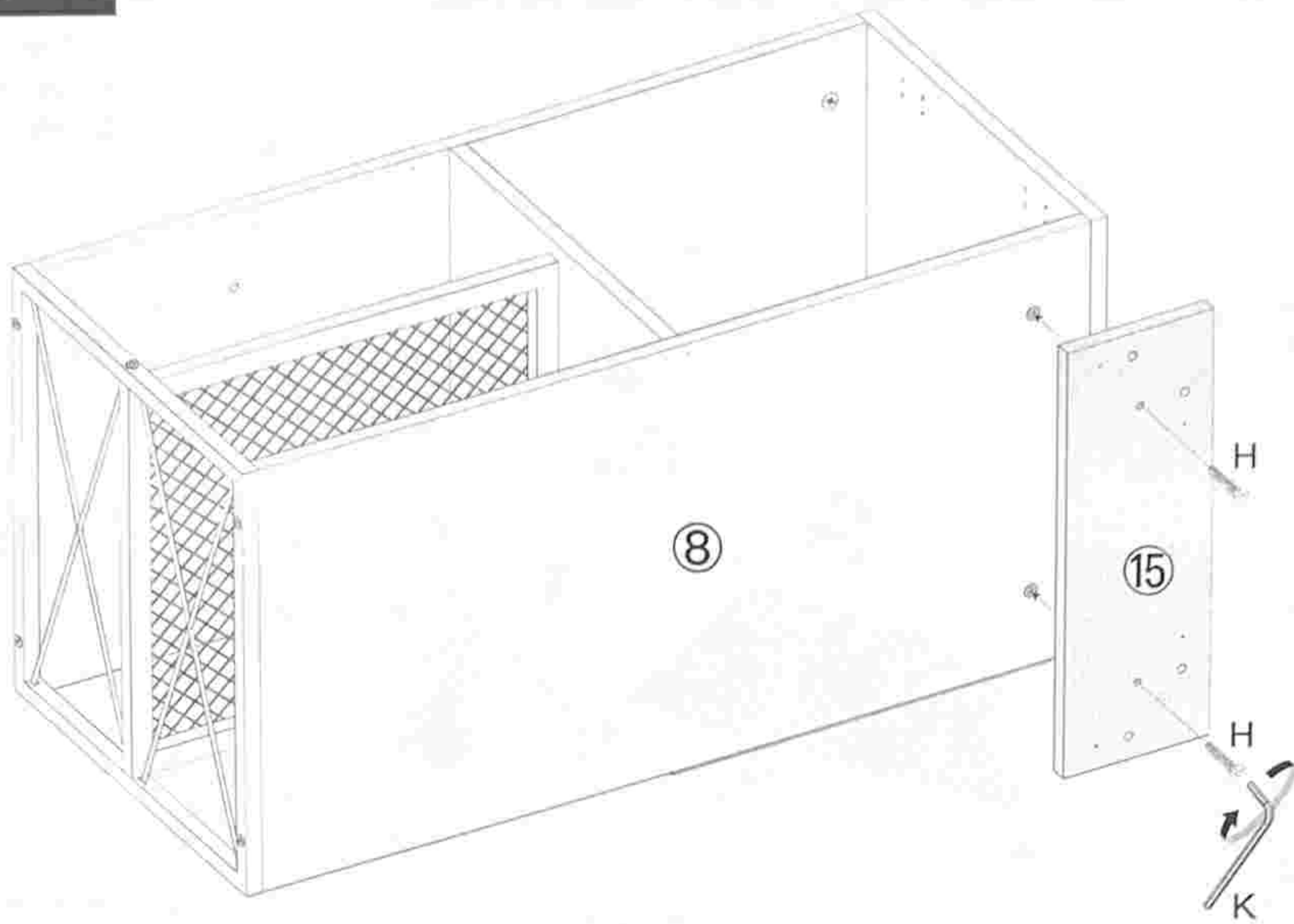
# STEP 10

Install the cover with cable opening 14 on the back side.

  
Phillips  
Screwdriver  
(Not Included)



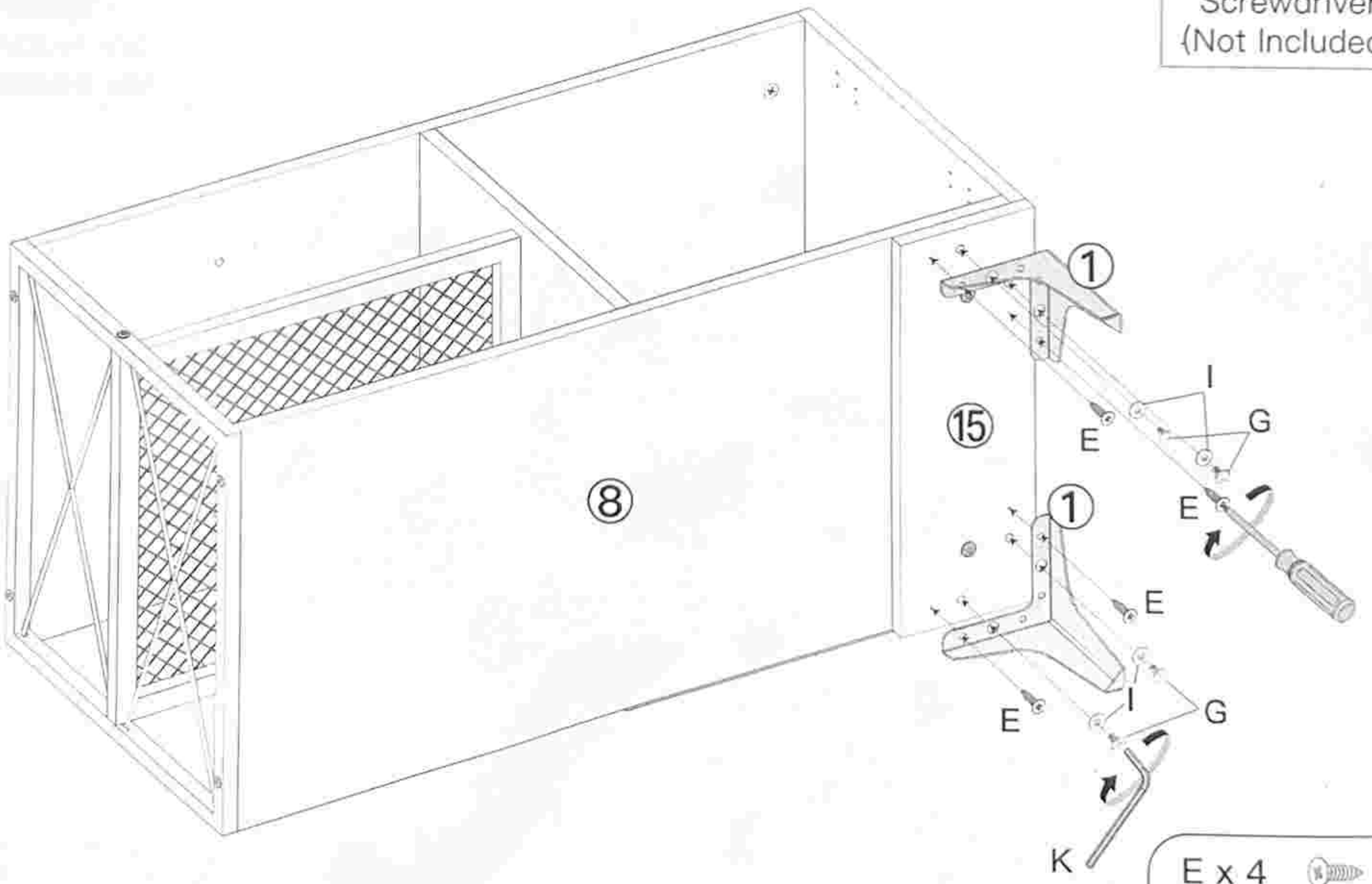
# STEP 11






H x 2 

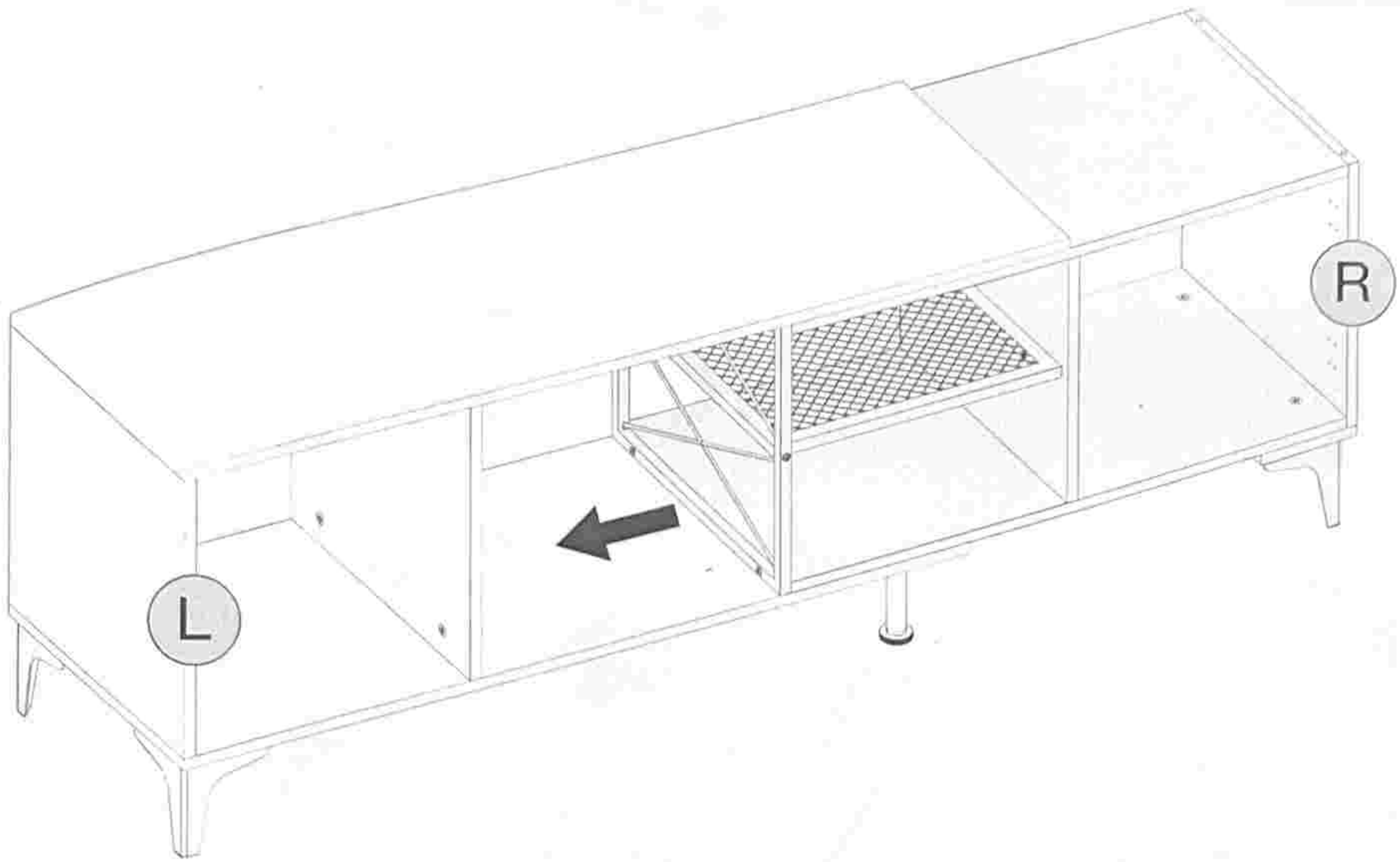
Thread the screws [E], then tighten the bolts [G].

  
Phillips  
Screwdriver  
(Not Included)



E x 4   
G x 4   
I x 4 

Slide the right side of the stand into place.

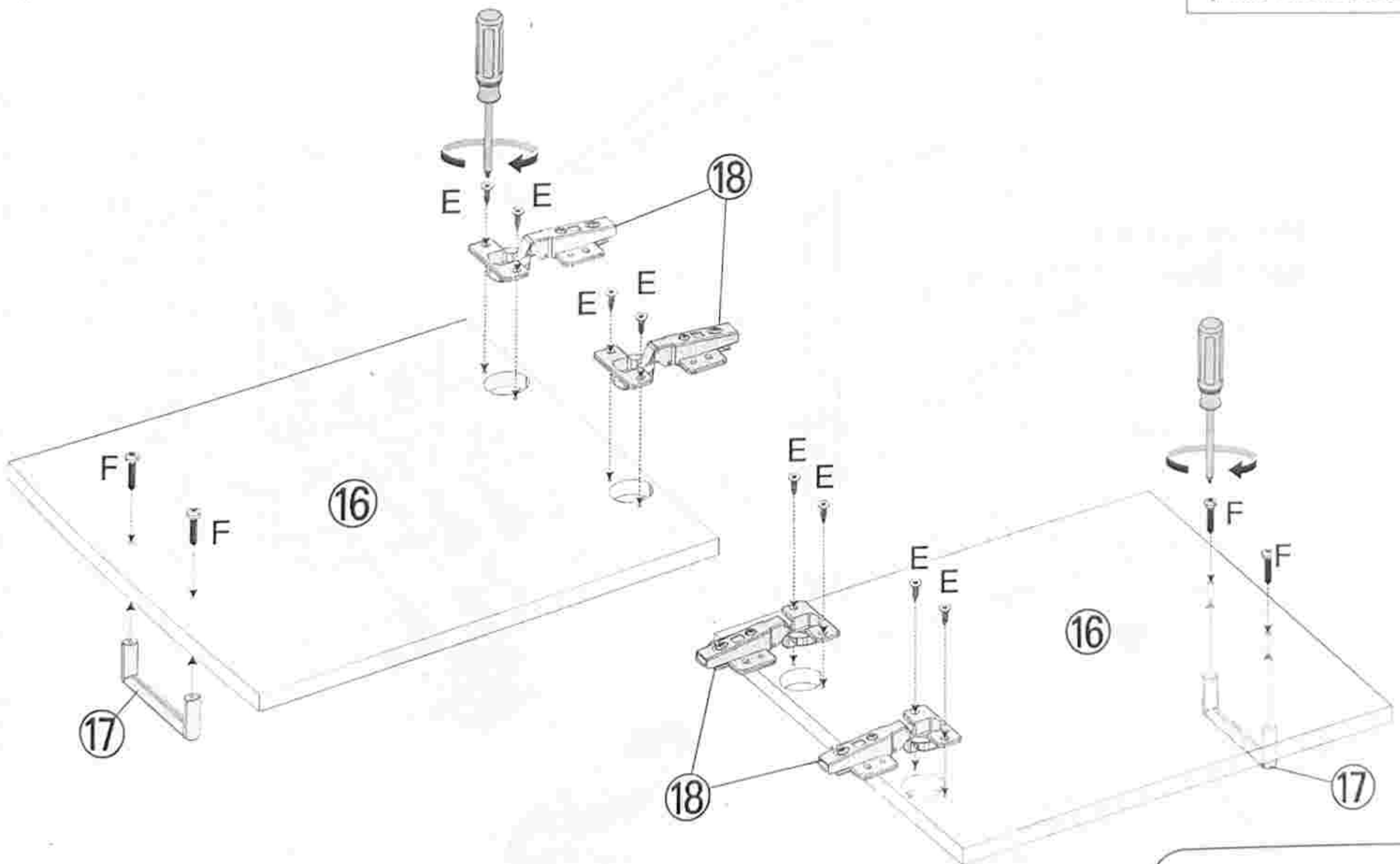


## STEP 12

NOTE: The hinges (18) should be installed with the end extending over the edge of each door.



Phillips  
Screwdriver  
(Not Included)

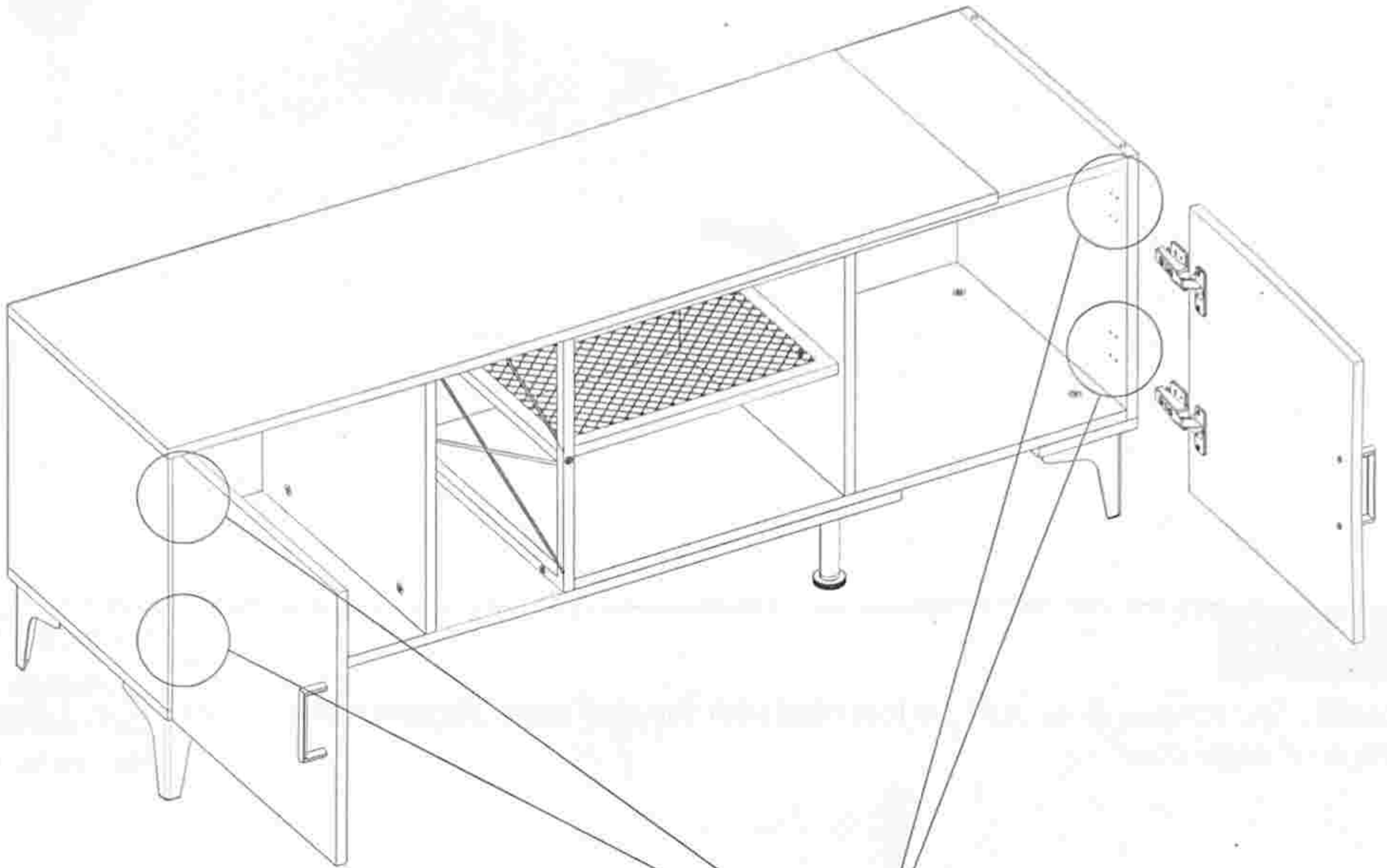


E x 8   
F x 4 

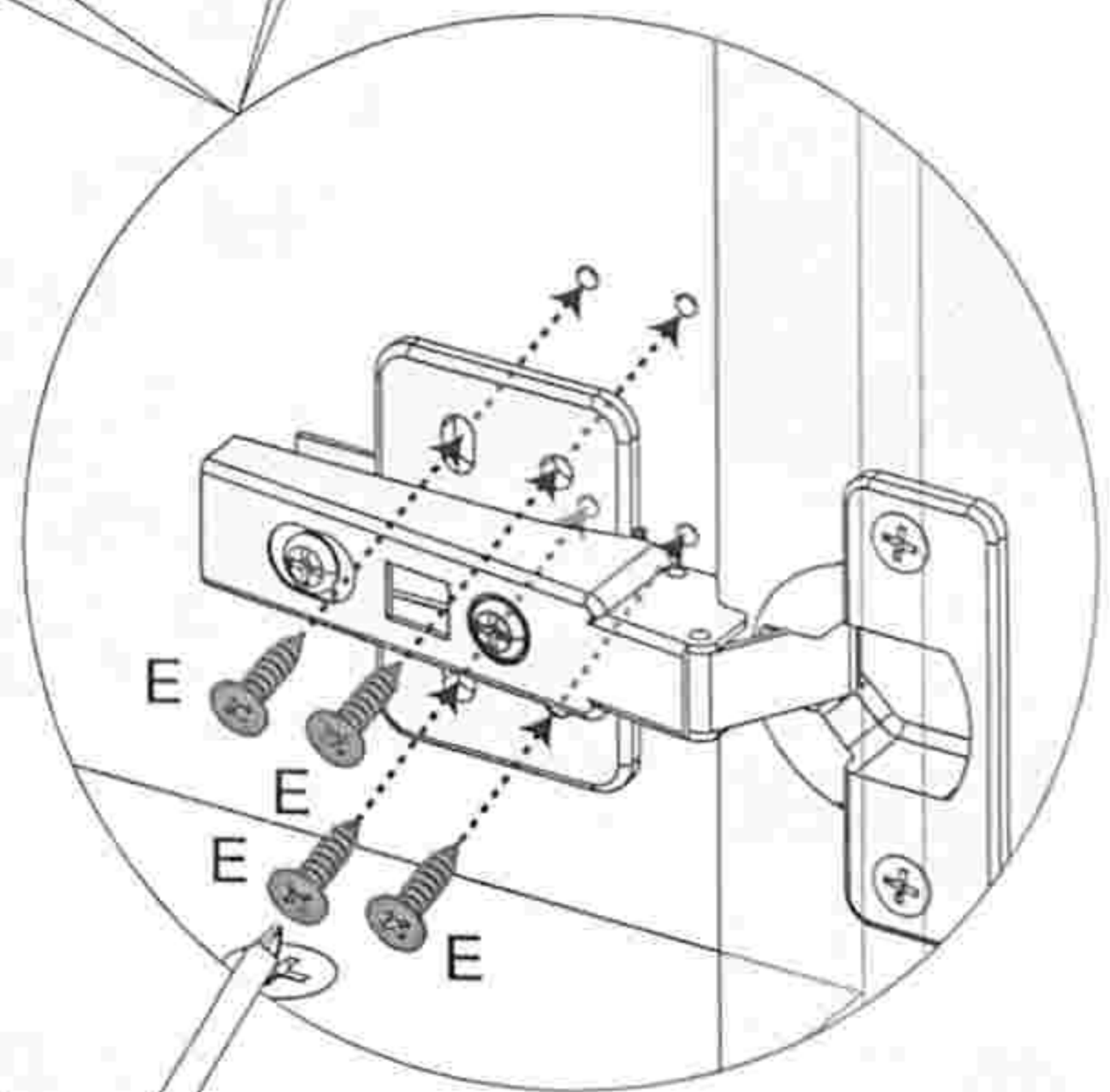
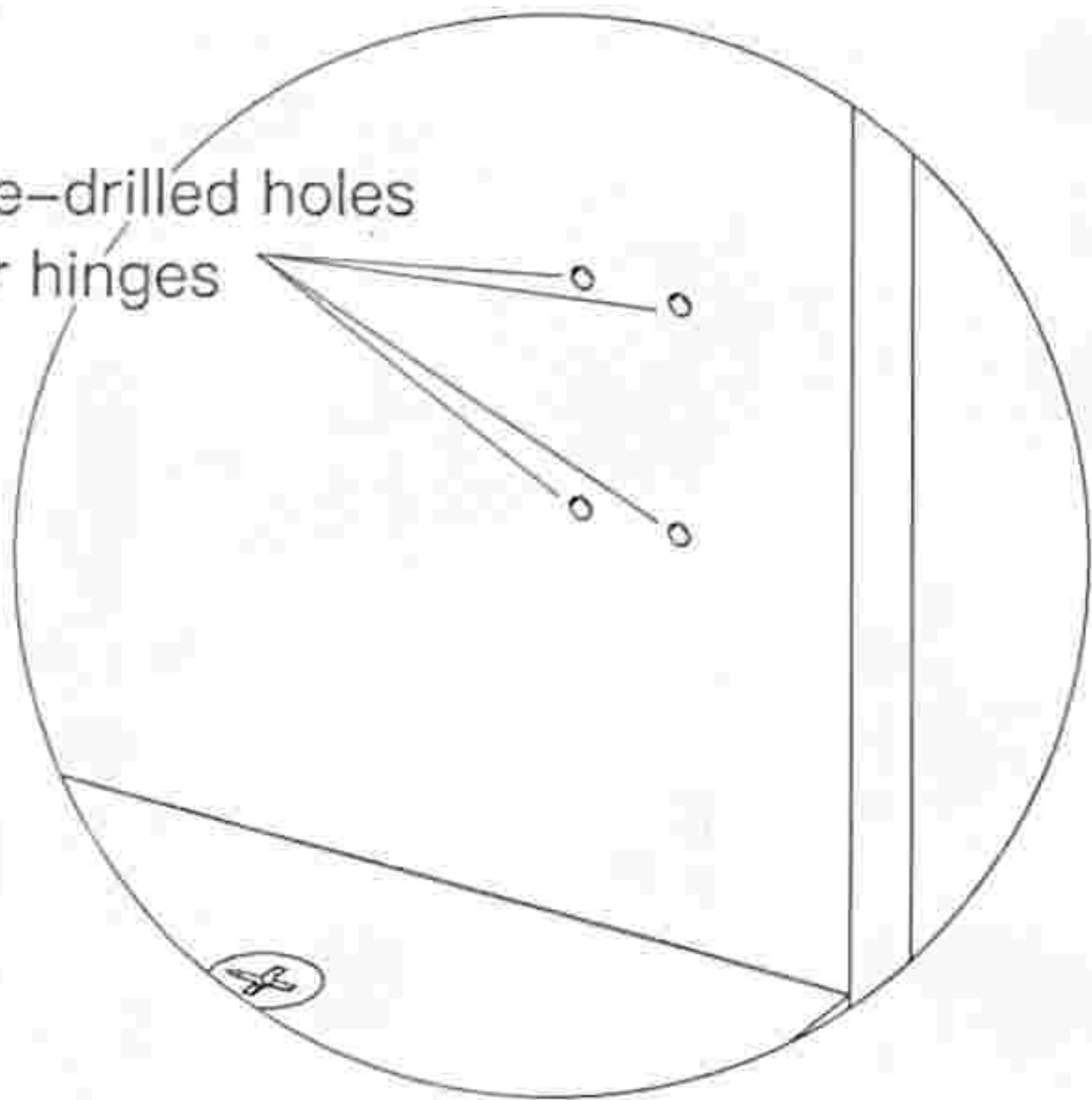
**STEP 13**



Phillips  
Screwdriver  
(Not Included)



Pre-drilled holes  
for hinges

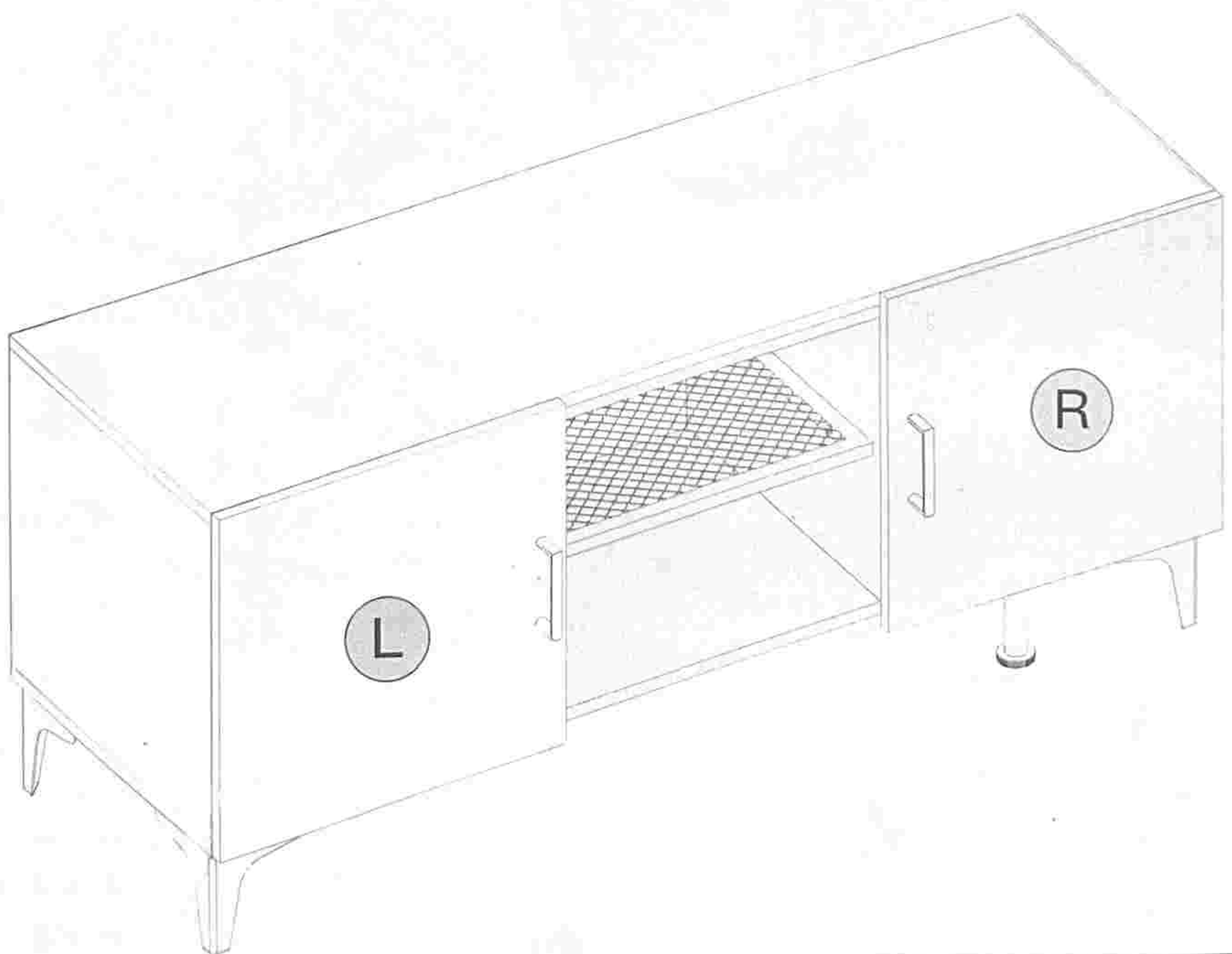
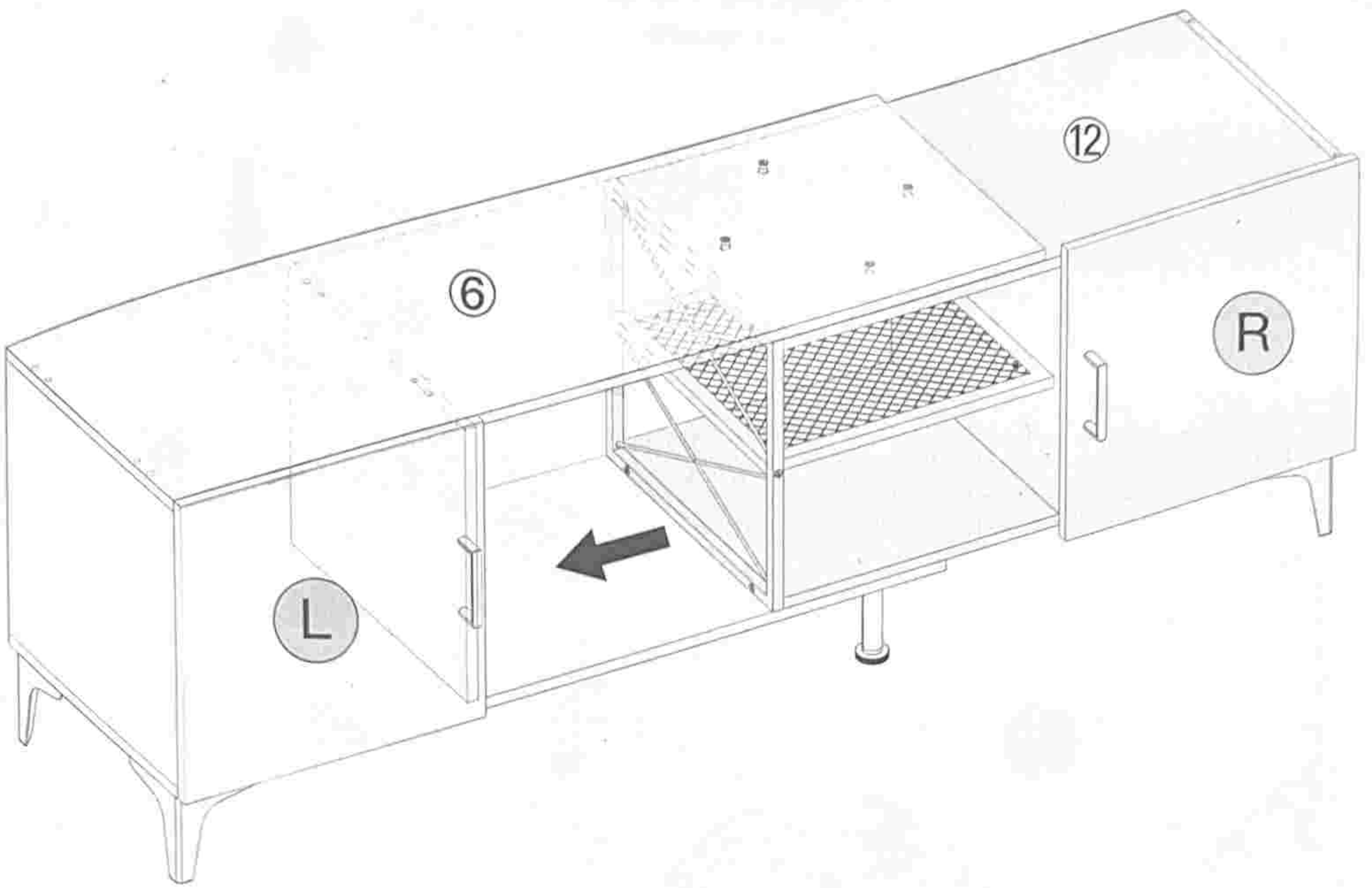


E x 16



Option A

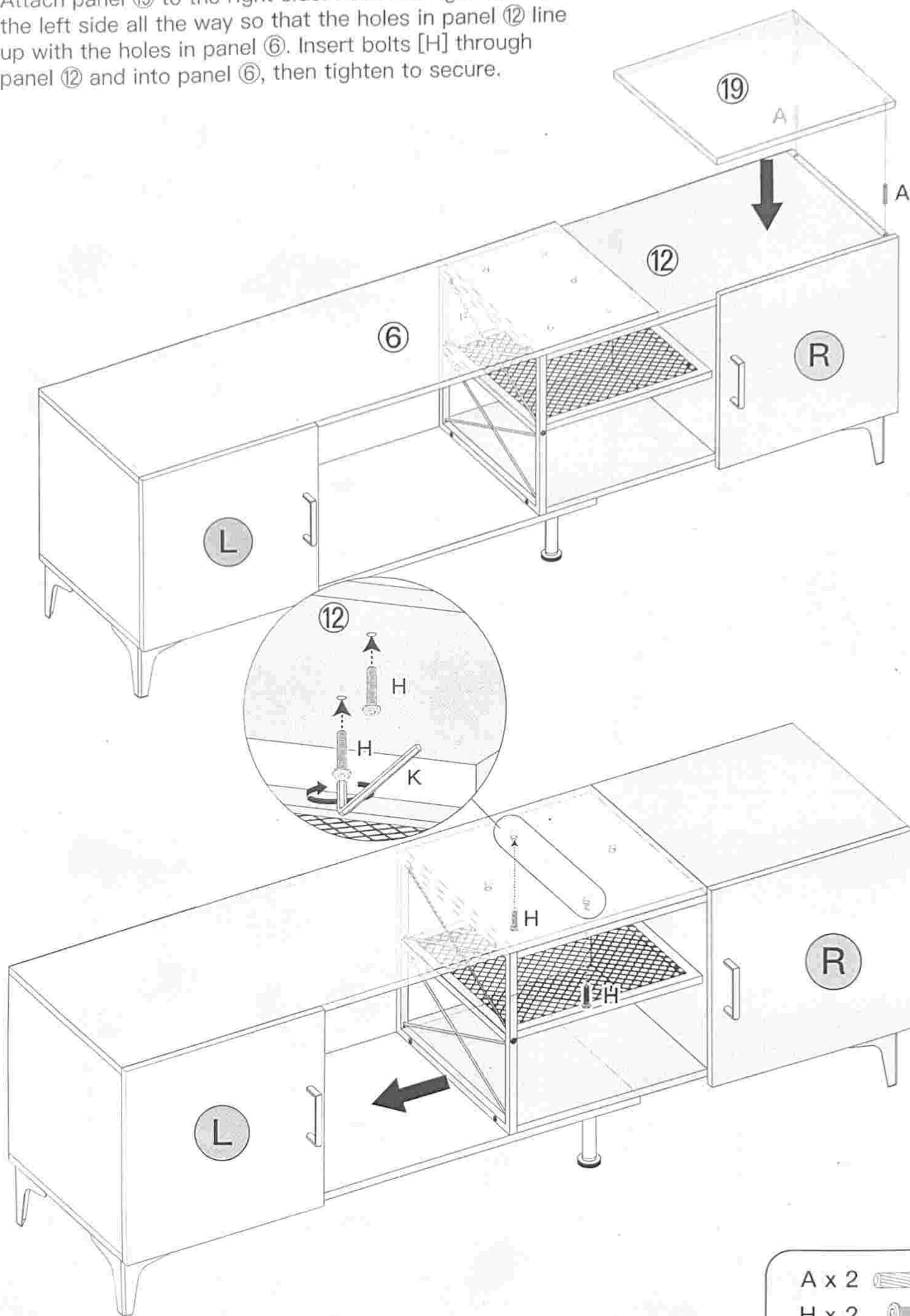
Push the right side into the left side all the way to the end.





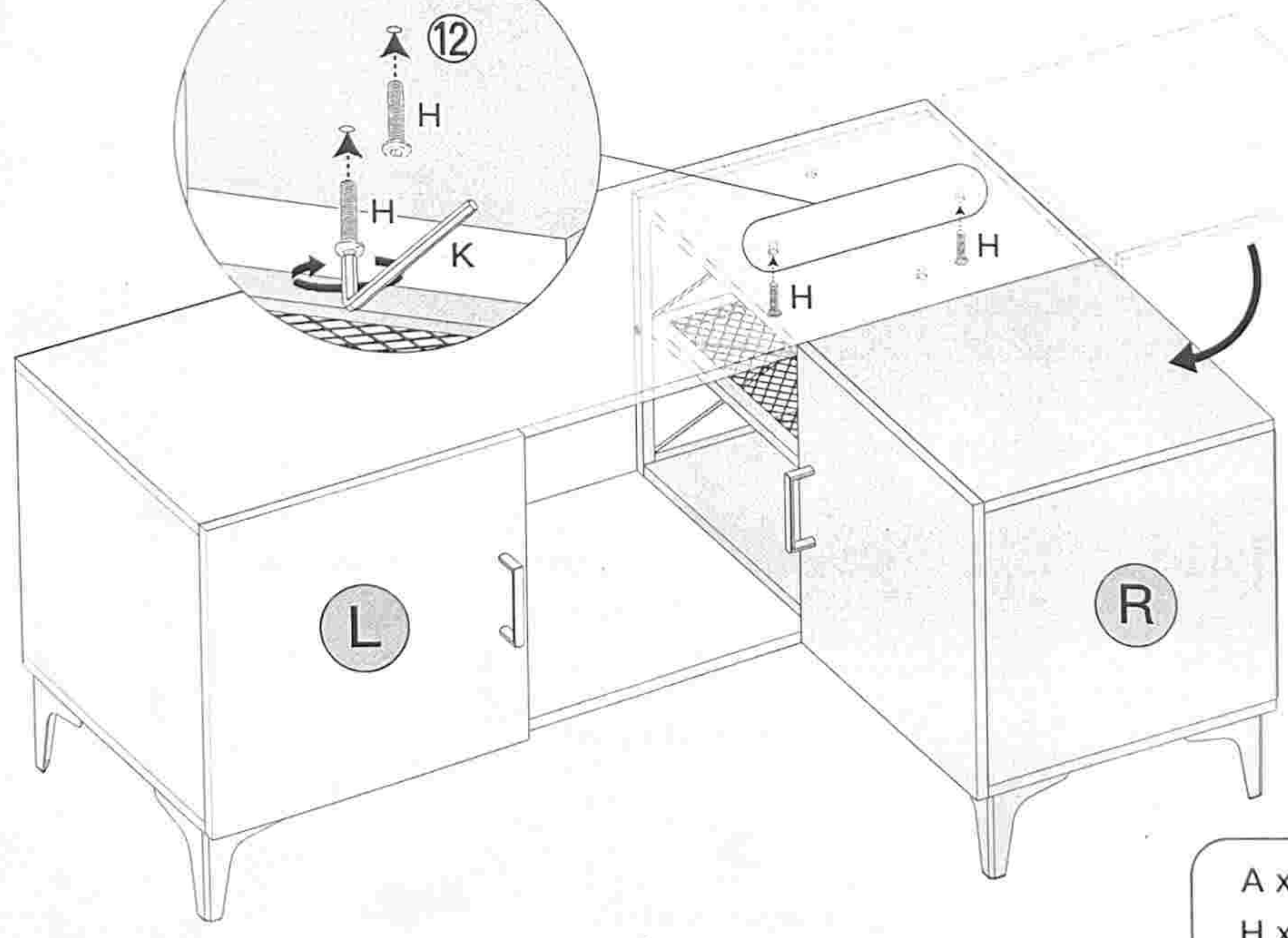
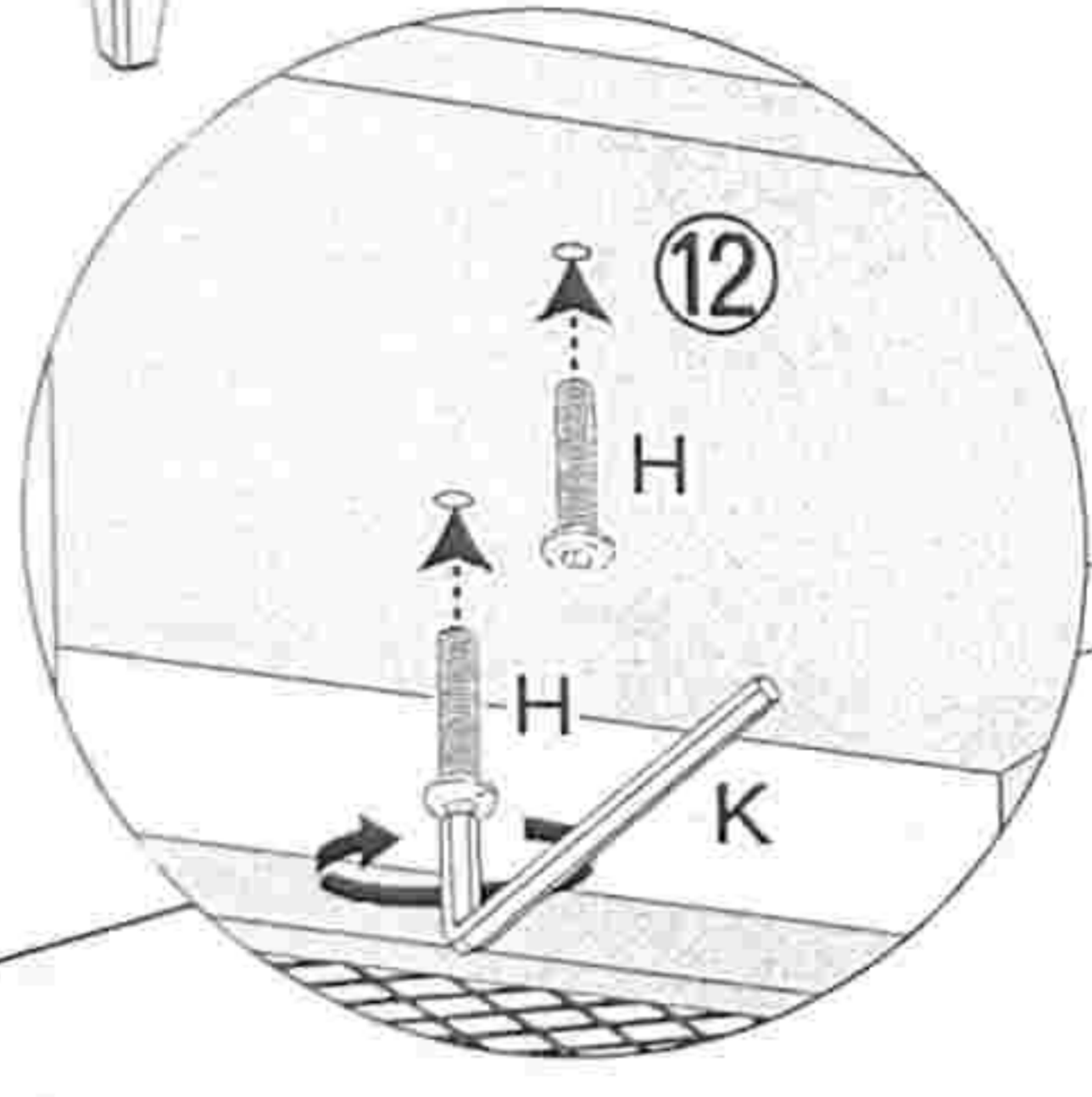
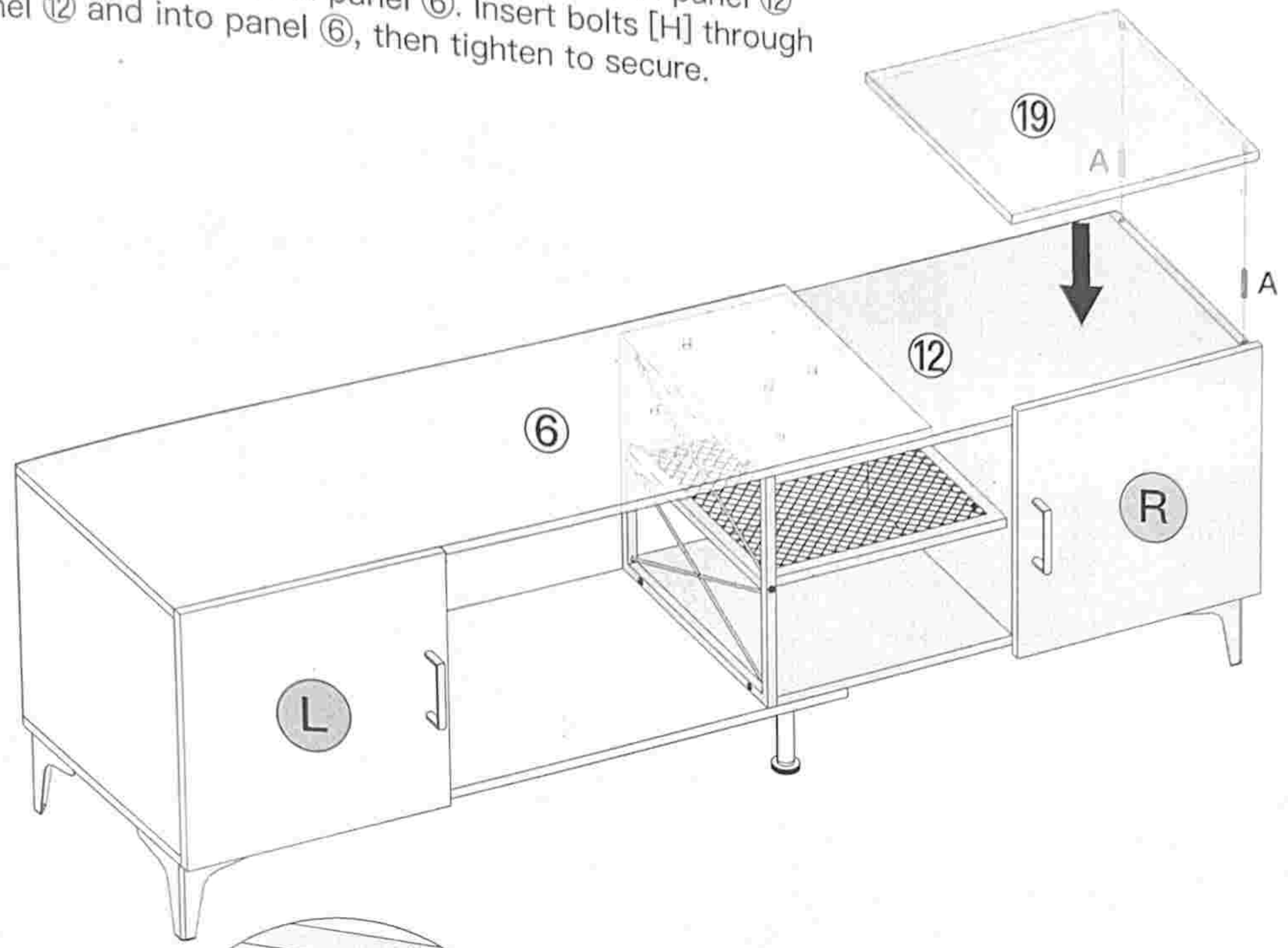
## Option B


Attach panel ⑱ to the right side. Push the right side into the left side all the way so that the holes in panel ⑫ line up with the holes in panel ⑥. Insert bolts [H] through panel ⑫ and into panel ⑥, then tighten to secure.



Option C

Attach panel ⑱ to the right side. Rotate the right side 90° toward the front and push it in so that holes in panel ⑫ line up with the holes in panel ⑥. Insert bolts [H] through panel ⑫ and into panel ⑥, then tighten to secure.



- A x 2 
- H x 2 