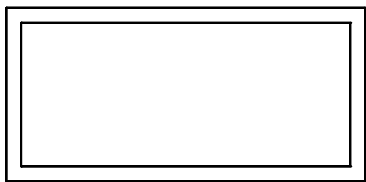


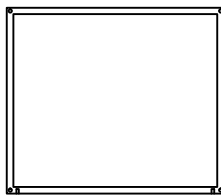
# ASSEMBLY INSTRUCTION ( 130-075 )

## PARTS LIST

1. - 1 Pc.



2. - 2 Pcs.



3. - 2 Pcs.



4. - 2 Pcs.

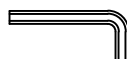


## FITTINGS

A. -8Pcs.



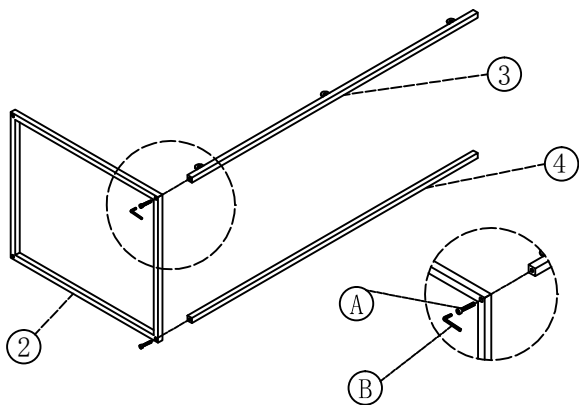
B. -1Pc.



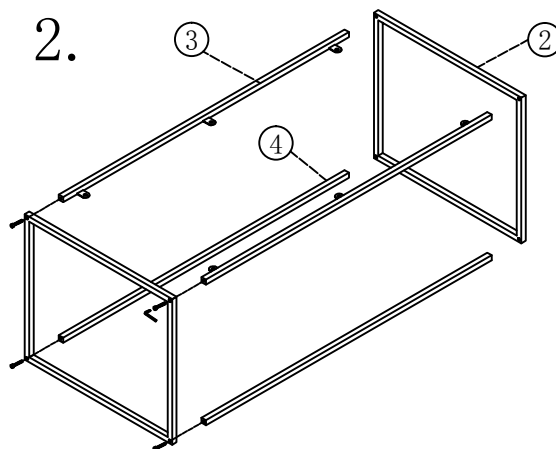
C. -6Pcs.



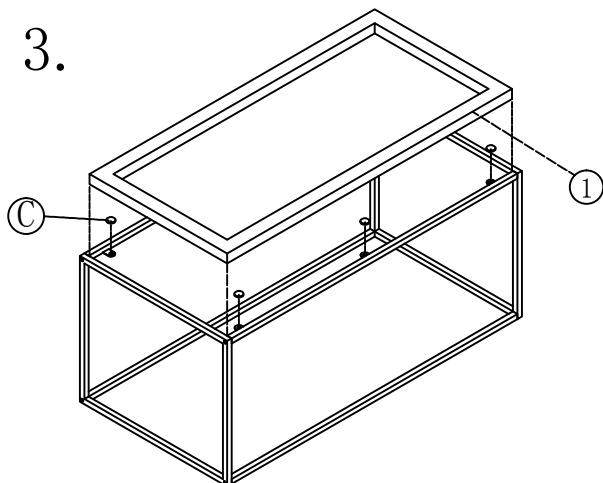
1.



2.



3.



4.

