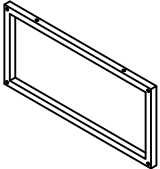
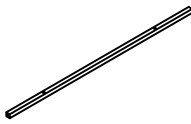
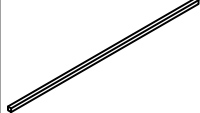
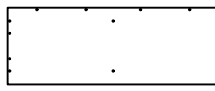
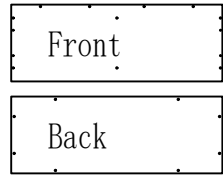
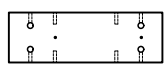
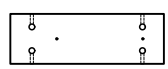
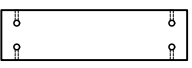

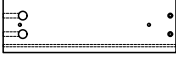
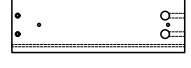
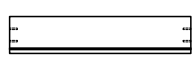




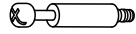

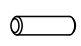


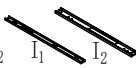

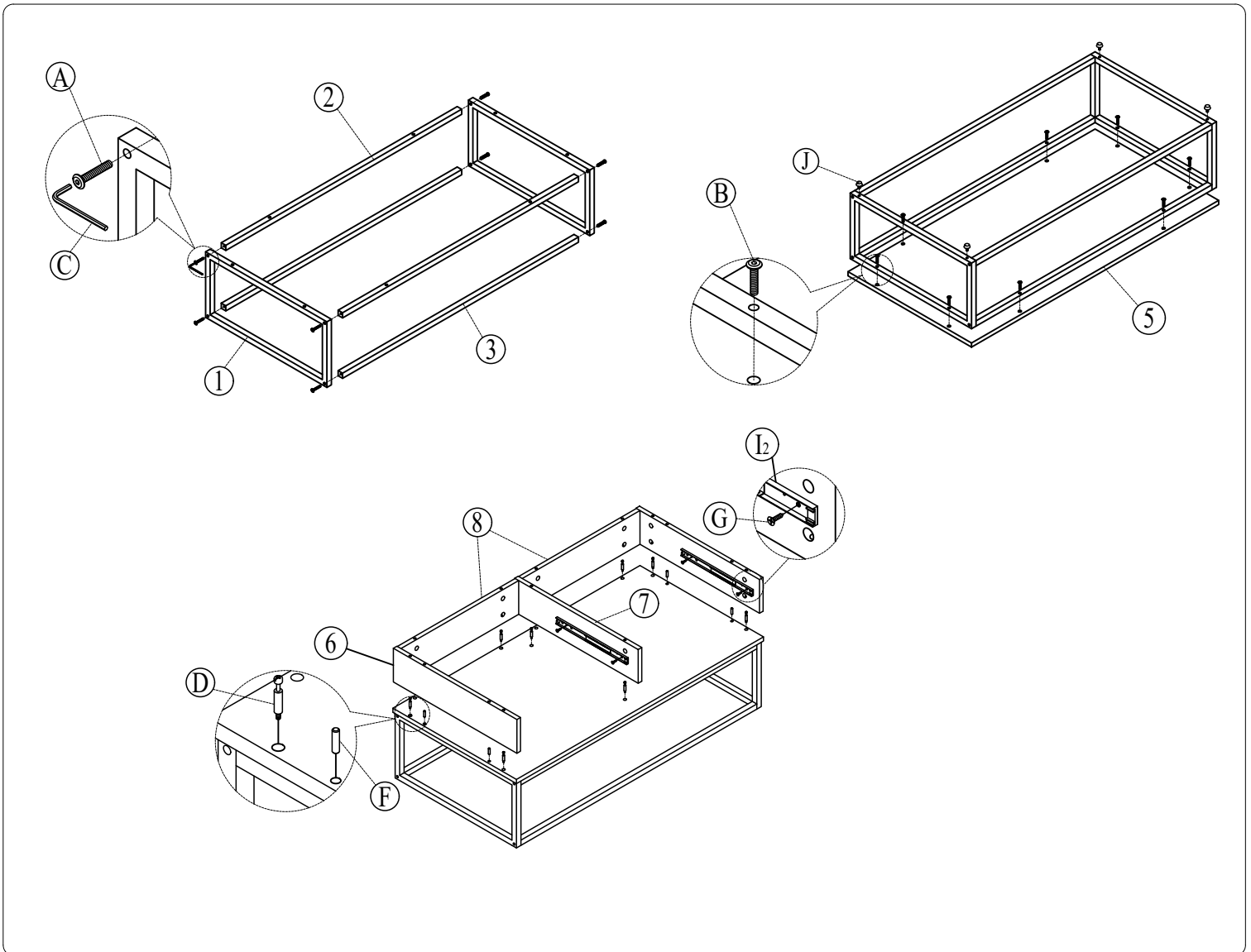


# ASSEMBLY INSTRUCTION (130-072)

1. -2 Pcs 	2. -2 Pcs 	3. -2 Pcs 	4. -1 Pc 	5. -1 Pc 	6. -2 Pcs 	7. -1 Pc 
8. -2 Pcs 	9. -2 Pcs 	10. -2 Pcs 	11. -2 Pcs 	12. -2 Pcs 	13. -2 Pcs 	

A -8 Pcs 	B -8 Pcs 	C -1 Pc 	D -28 Pcs 	E -28 Pcs 
F -8 Pcs 	G -16 Pcs 	H -8 Pcs 	I -4 Pcs $I = I_1 + I_2$ 	J -4 Pcs 



# ASSEMBLY INSTRUCTION

