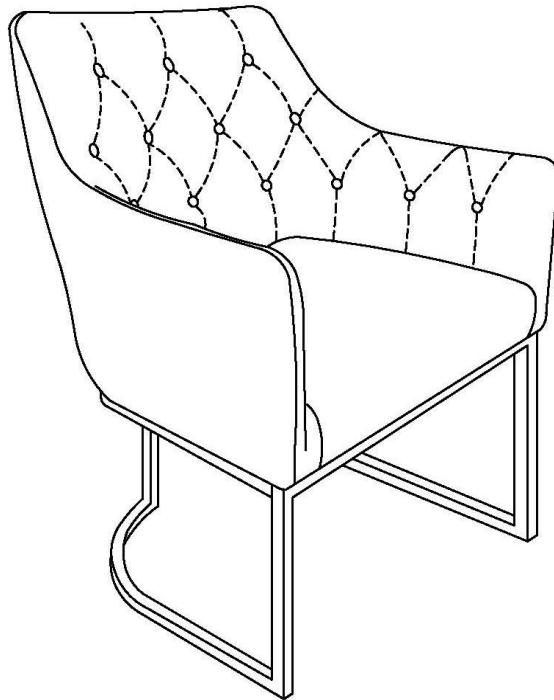


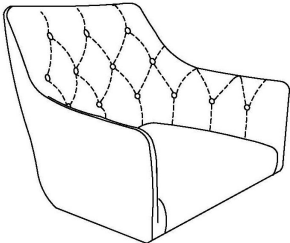
Assembly Instructions

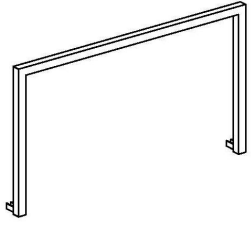
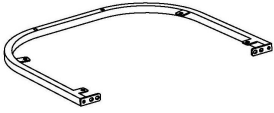
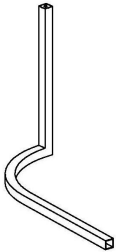
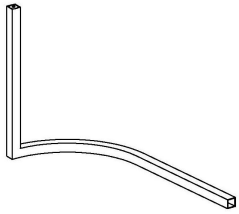
Caution : You must read this before you proceed

Club Chair


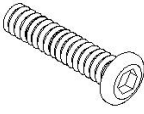






Parts List

Label	Picture	Description	QTY
A		Backrest	1

B		Support Metal Tube	1
C		Support Rail	1
D		Left Side Tube (with Pre-attached Leveller)	1
E		Right Side Tube (with Pre-attached Leveller)	1

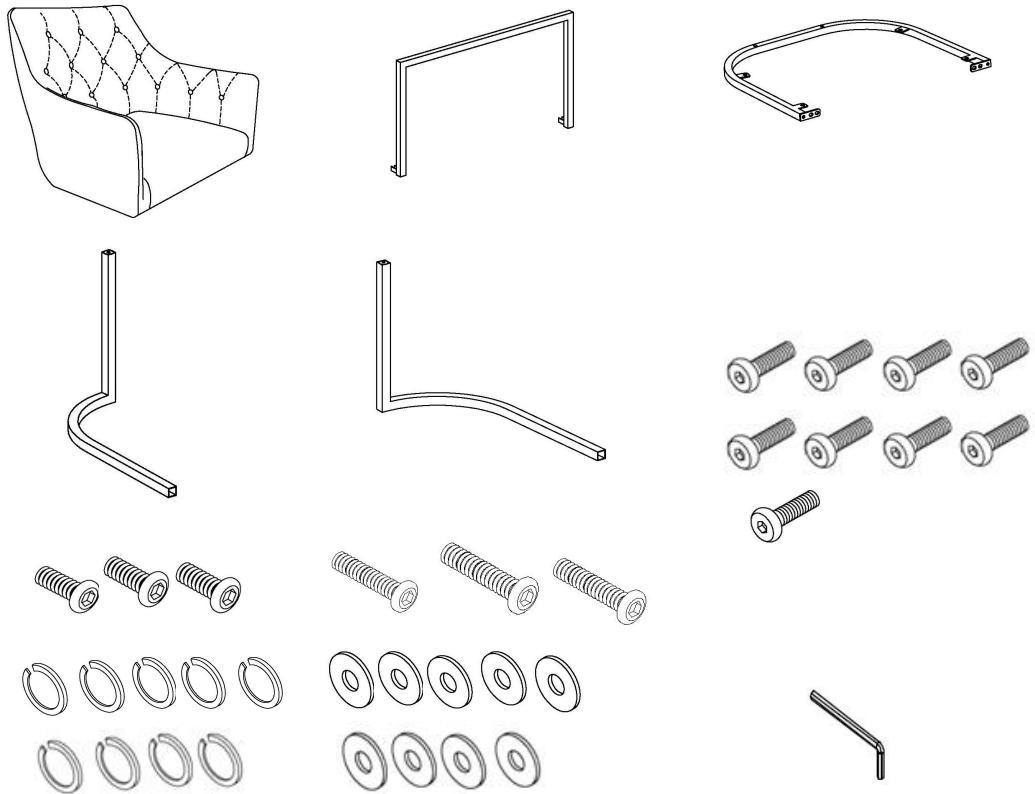
Hardware

Label	Picture	Description	QTY
①		Bolt (M6*16mm)	3
②		Bolt (M6*38mm)	3
③		Bolt (M6*19mm)	9
④		Washer	9

⑤		Spring Washer	9
⑥		Allen Wrench	1

Assembly Preparation

Before Beginning Assembly:



- Read instructions, cover to cover-



- Have 2 adults on hand for assembly-



- Do not assemble on flooring or carpet-

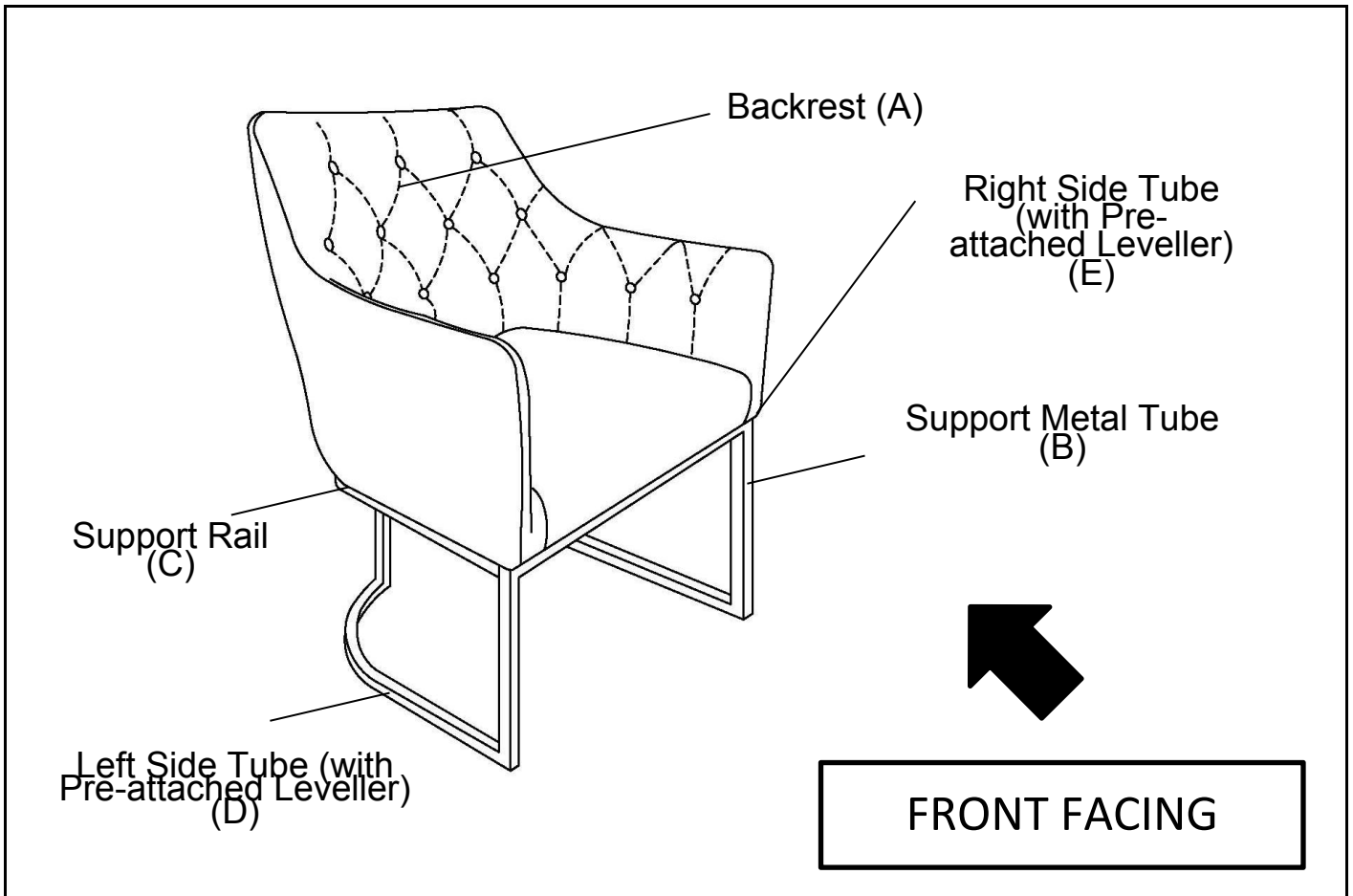


- Assemble on a clean non-marring surface (packing foam)-



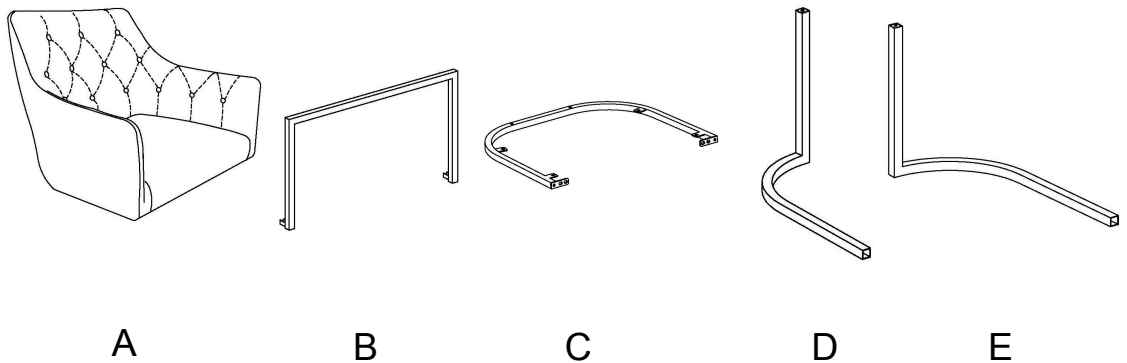
- Save all packaging until finished-

Assembly Steps



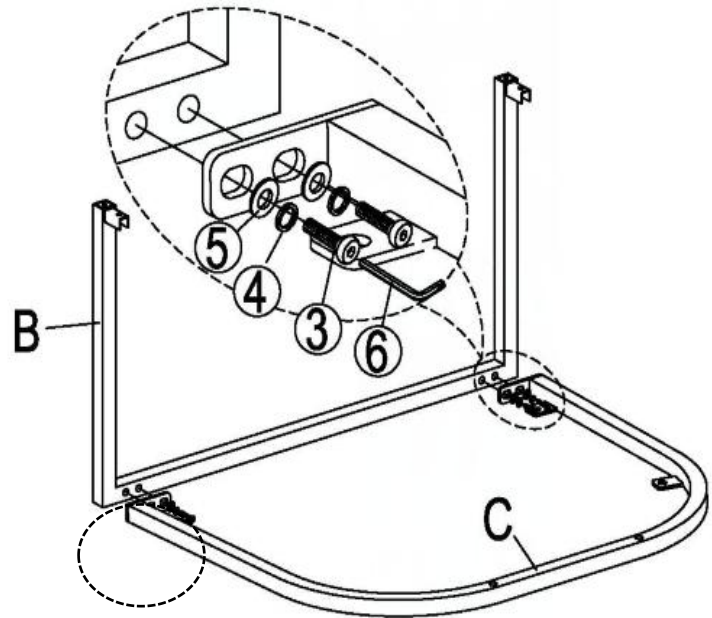
This Club Chair has multiple parts and may require up to 30 minutes to assemble. To give you an overview of the Club Chair, the above picture is to help you put the various parts into perspective. Please read through the instructions below to familiarise yourself with the parts and steps before assembly.

Step 1



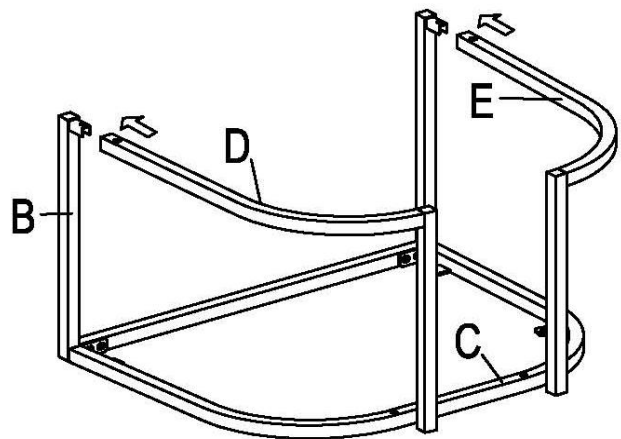
Place the Backrest (A), Support metal tube (B), Support rail (C), Left side tube (with Pre-attached Leveller) (D) and Right side tube (with Pre-attached Leveller) (E) on a clean, non-marring surface.

Step 2

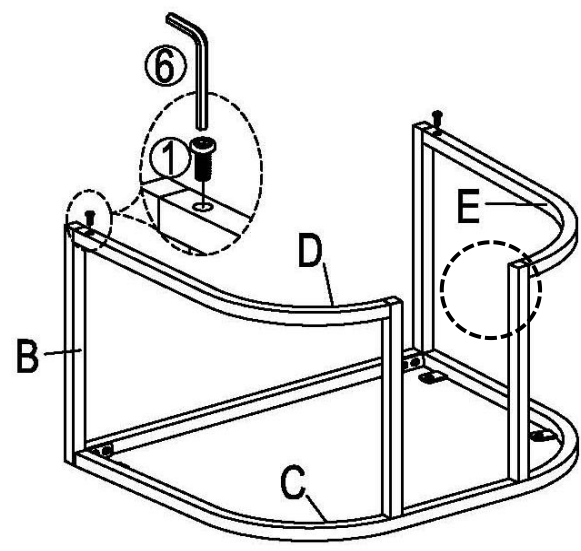


**Attached Support metal tube (B) to Support rail (C) using Bolts(③), Washers(④), and Spring Washer(⑤) with Allen Wrench(⑥) as shown in above picture.
Tighten the Bolts fully in a sequential manner.**

Step 3



Step 3.1

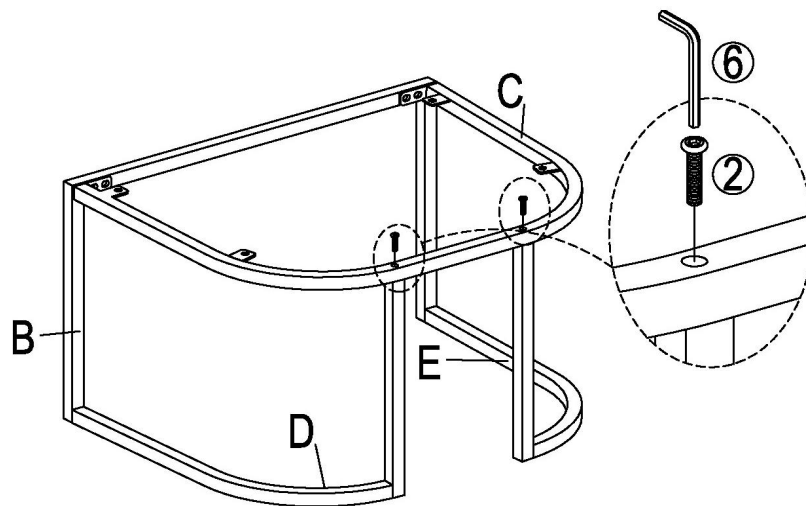


Step 3.2

3.1) Insert Left side tube (with Pre-attached Leveller) (D) and Right side tube (with Pre-attached Leveller) (E) to Support metal tube (B) as shown in above picture.

3.2) Insert Left side tube (with Pre-attached Leveller) (D) and Right side tube (with Pre-attached Leveller) (E) to Support metal tube (B) using Bolts(①) with Allen Wrench(⑥) as shown in above picture. Tighten the Bolts fully in a sequential manner.

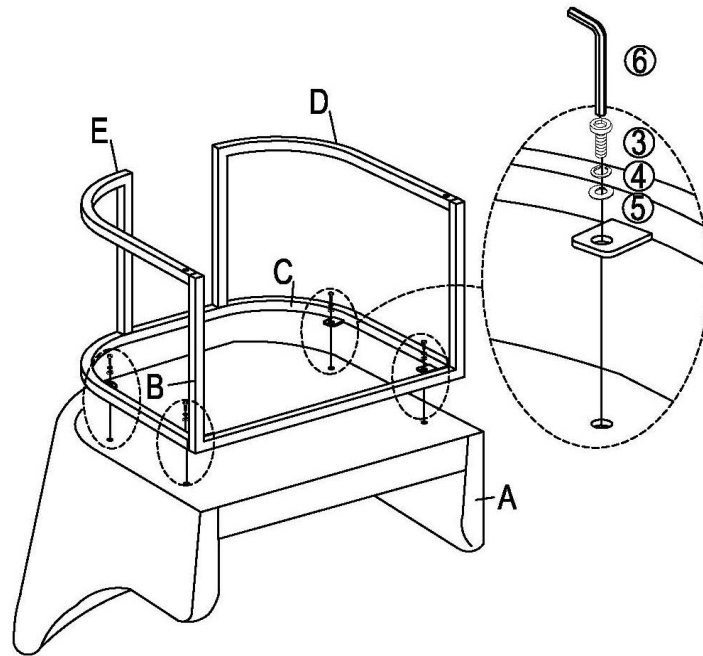
Step 4



Stand the metal frame up.

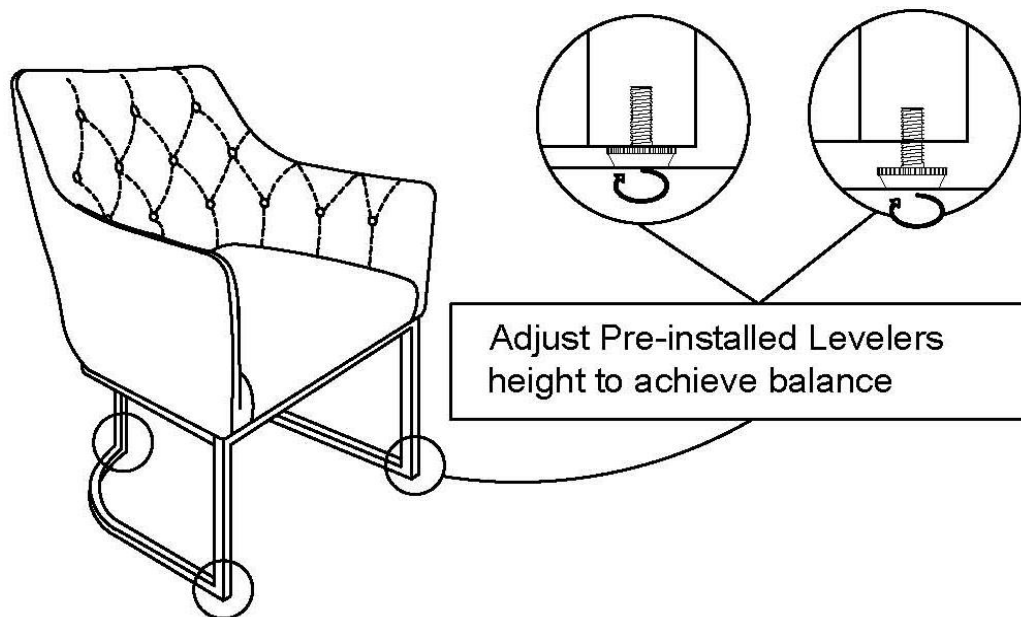
Using Bolts(②) with Allen Wrench(⑥) to fixed Support rail (C), Left side tube (with Pre-attached Leveller) (D) and Right side tube (with Pre-attached Leveller) (E) as shown in above picture.

Step 5



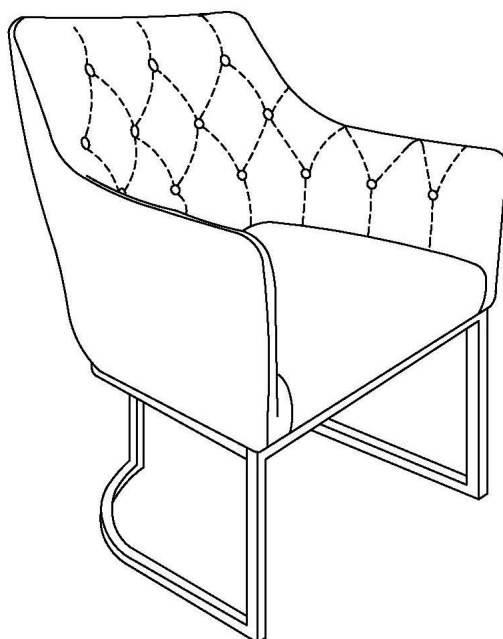
Attached Support metal tube (B), Support rail (C), Left side tube (with Pre-attached Leveller) (D) and Right side tube (with Pre-attached Leveller) (E) to Backrest (A) using Bolts(③), Washers(④), and Spring Washer(⑤) with Allen Wrench(⑥) as shown in above picture.

Step 6



Stand the Club Chair up. With assistance from your adult partners, Adjust the bottom of Left side tube (with Pre-attached Leveller) (D) and Right side tube (with Pre-attached Leveller) until the Club Chair is level with the ground.












Step 7



Your Club Chair ready for use.

This Club Chair can only be used on a flat, level surface.

Care & Maintenance

- ⊘  ● Not for commercial use. For residential use only.
 - ✓  ● Furniture may scratch floors. We recommend using furniture pads to protect your floors.
 - ⊘  ● Do not put hot items directly on furniture surface.
 - ⊘  ● Do not clean furniture with harsh cleansers or polish.
 - ⊘  ● Do not place furniture under direct sunlight.
 - ⊘  ● Do not place furniture near heating or cooling vents.
 - ⊘  ● Do not write on furniture without a padded barrier to protect the surface.
 - ⊘  ● Do not place furniture outside . For indoor use only.
 - ⊘  ● Stains may be removed with mild soap solution and damp cloth.
 - ⊘  ● Children should not climb or jump on the furniture.
-
- ✓  ● Dust and pick-up spills using a clean, non-colored, lint-free cloth.