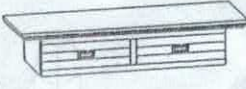

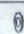
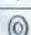


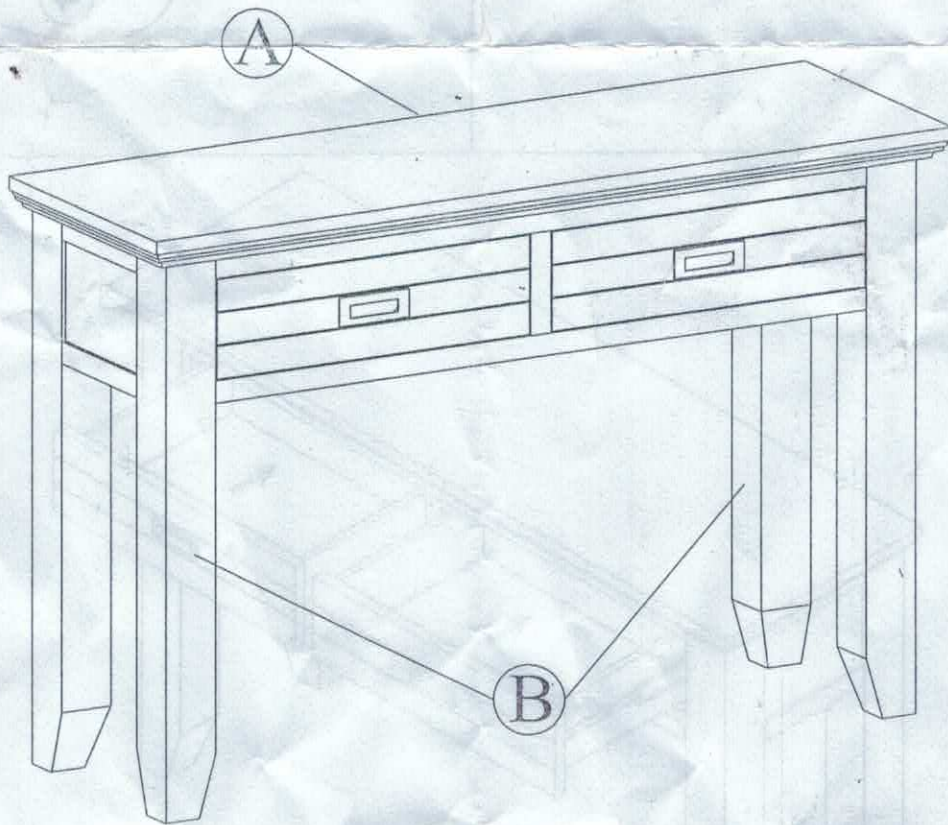


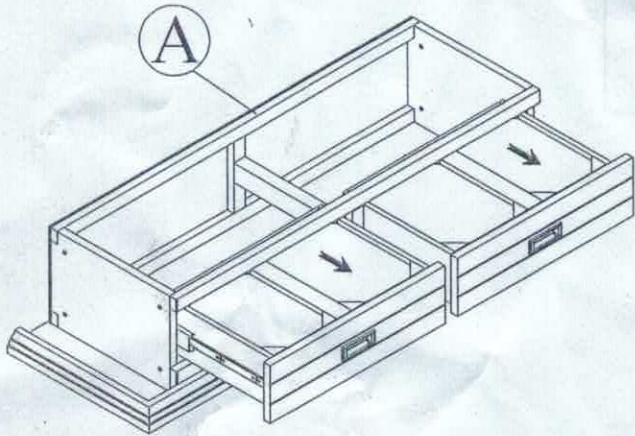
CAROL - HALL TABLE 2 DRAWER

No.	Parts List	Q'ty	HARDWARE LIST			
A		Cabinet	1pc	No.	Description	Q'ty
				1	 Bolt - Allen head M6*35mm	8
				2	 Lock washer Ø6	8
				3	 Flat washer Ø6	8
				4	 Allen head wrench 4X110	1
B		Leg Frame	2pcs			

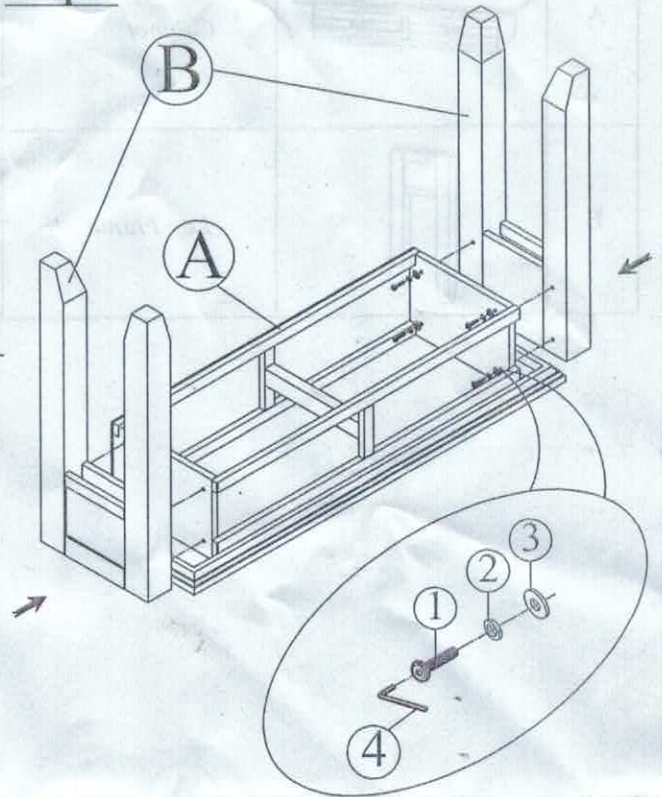


CAROL - HALL TABLE 2 DRAWER

Step 1



Step 2



Finish

