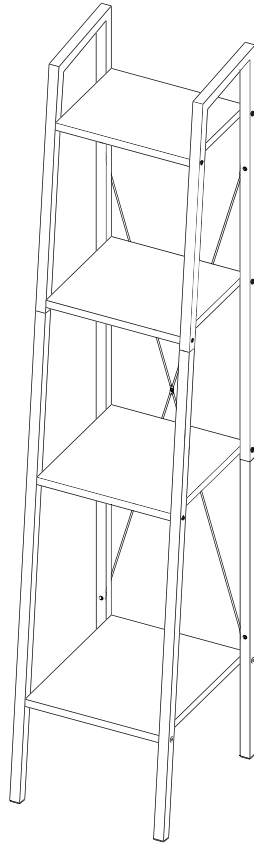


INSTRUCTION MANUAL

Rev00(C)

PILS01



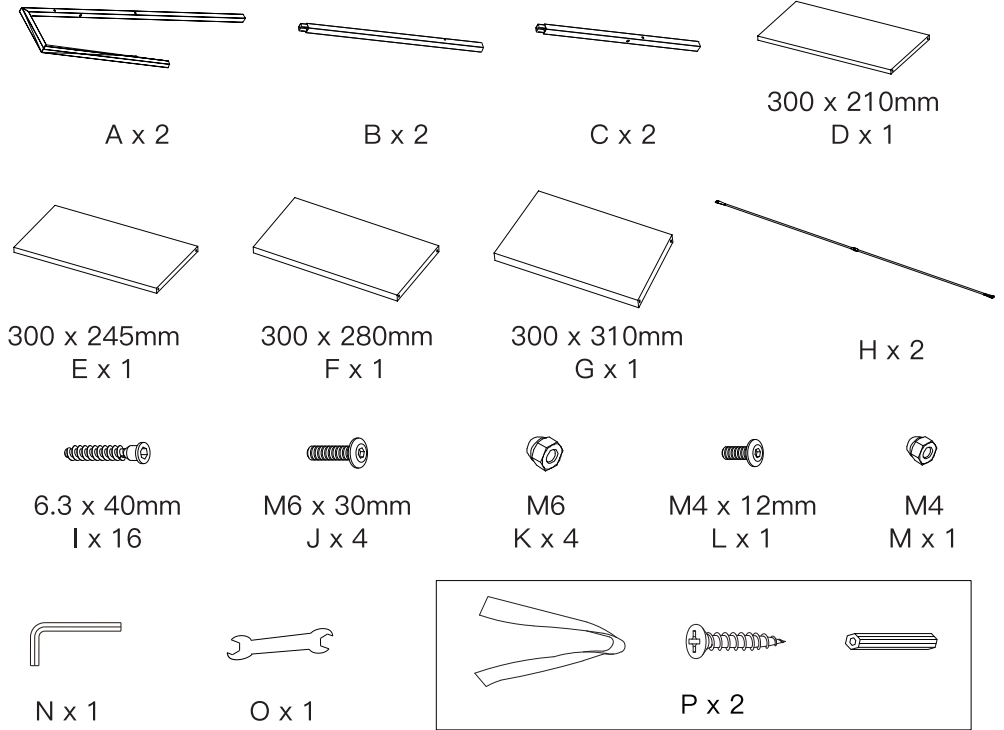
Ladder Shelf

(US / CA) 1-800-556-9829
(UK) 44-808-196-3885

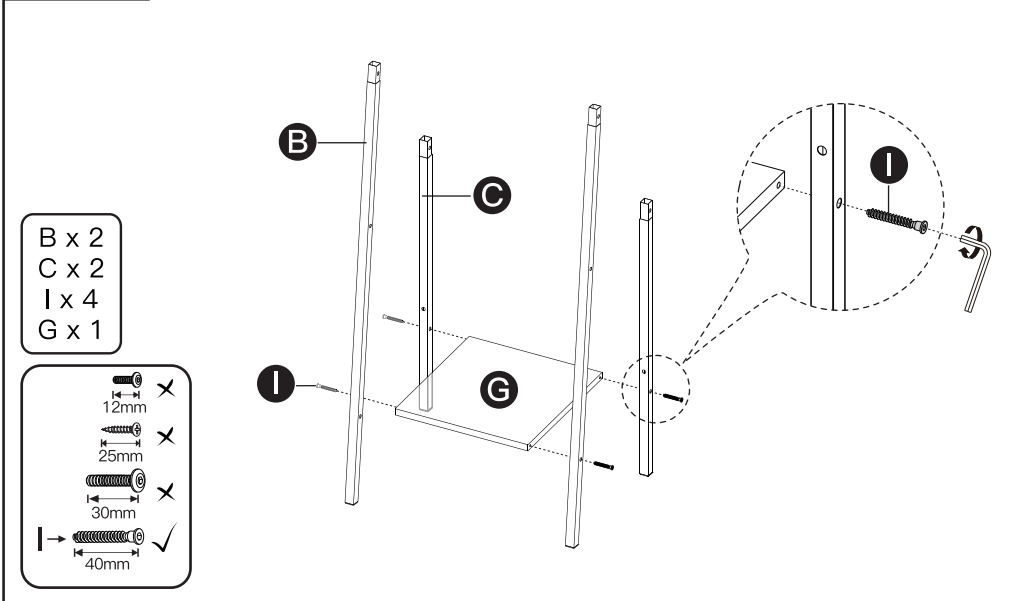
✉ support@pipishell.net

🌐 www.pipishellav.com

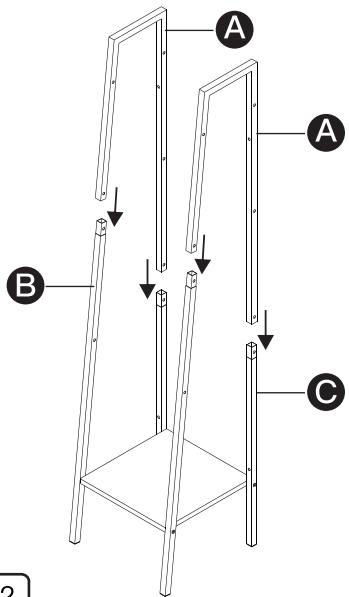
Supplied Parts and Hardware



STEP 1 Secure poles [B] and [C] to board [G].

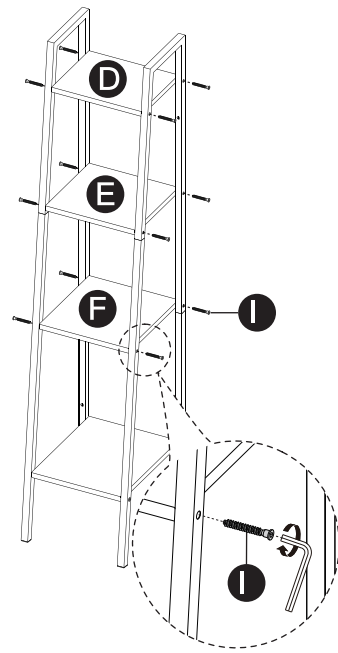


STEP 2 Secure top frames [A] to poles [B] and [C].



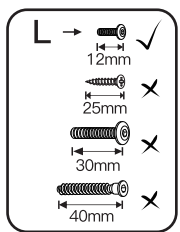
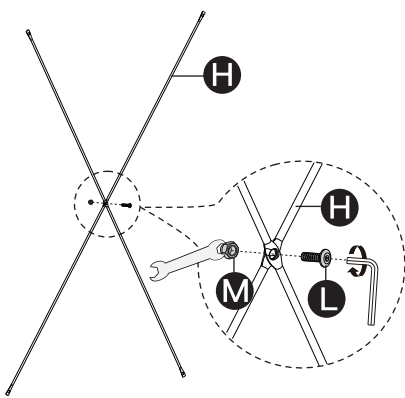
A x 2

STEP 3 Secure board [F], [E] and [D] to the assembled frame.



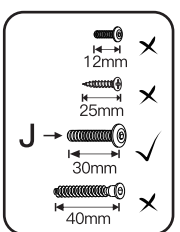
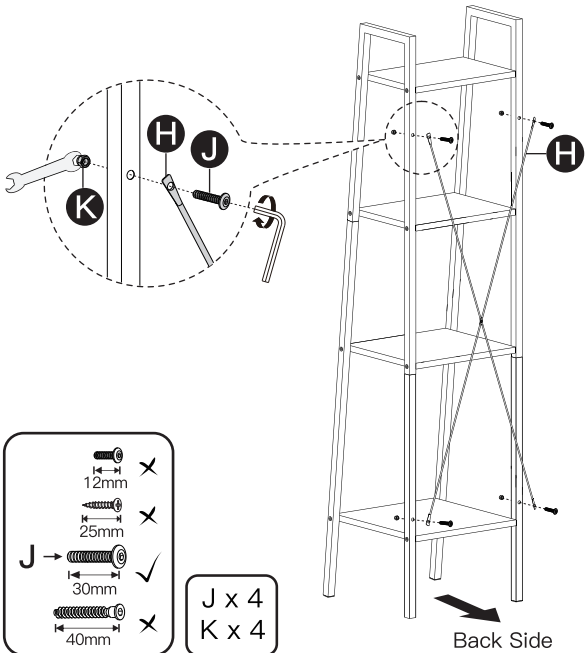
D x 1
E x 1
F x 1
I x 12

STEP 4 Assemble cross brace [H].



H x 2
L x 1
M x 1

STEP 5 Secure cross brace [H] to the back side of the shelf.



J x 4
K x 4

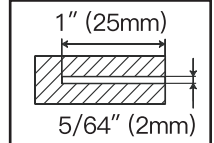
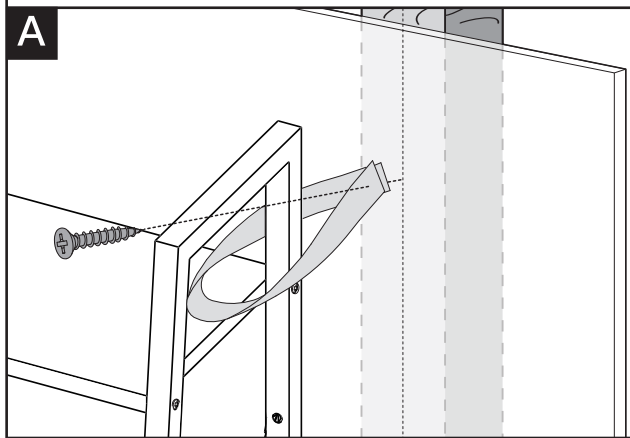
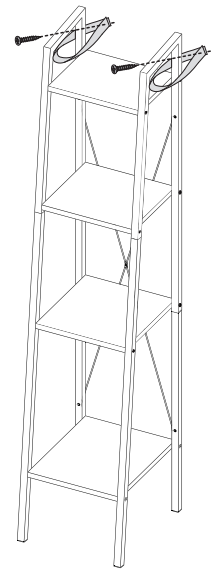
Back Side

STEP 6 Secure the shelf to wall.

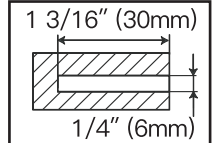
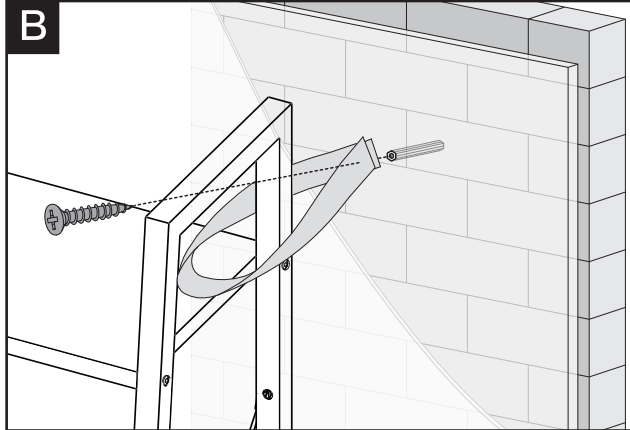
Tools Needed (Not Included)

| | | |
|----------------------|----------------|--------|
| | | |
| Phillips Screwdriver | Electric Drill | Hammer |

| | | |
|--|-------|--|
| | | |
| | P x 2 | |



For Wood Stud Installation



For Concrete, Solid Wall or Brick Wall Installation