

item no. 014-HG-41801-HT



Estimated Time for Assembly

60 mins

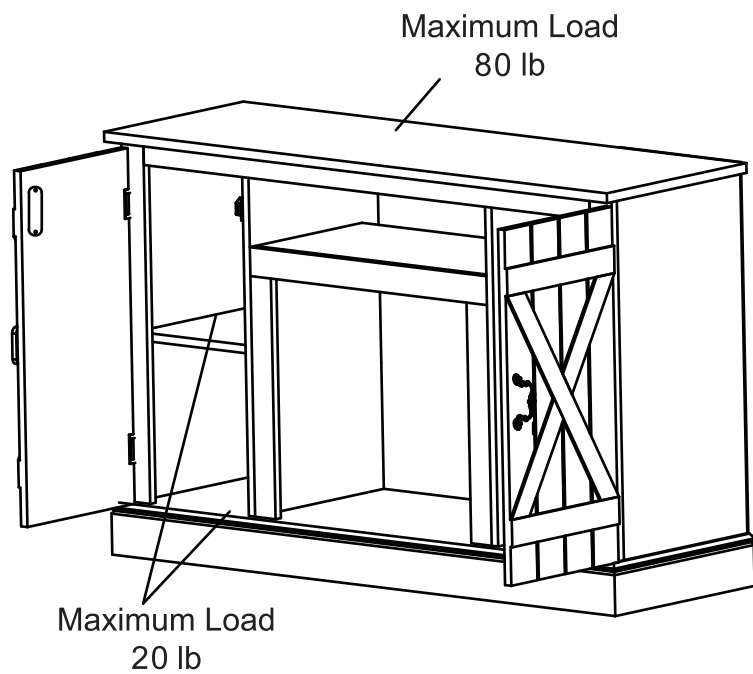


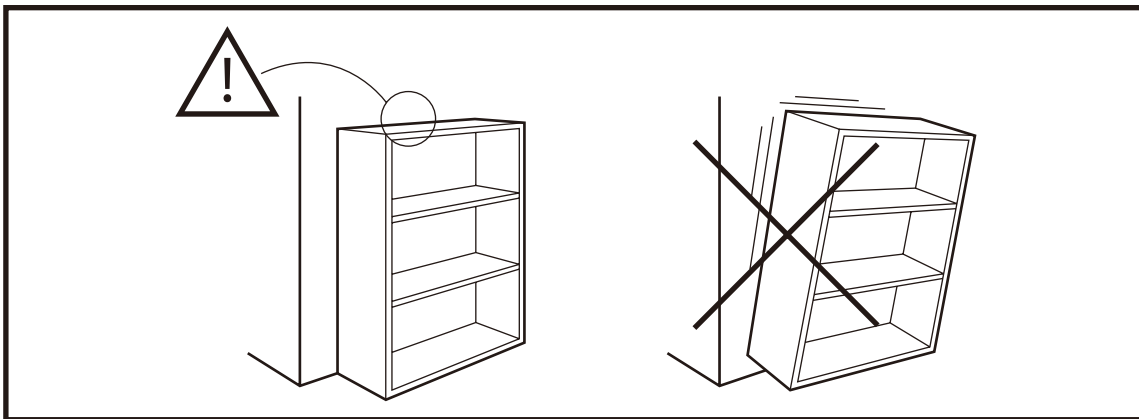
Weight Limitation

20 lb Shelf

80 lb Top

Tools Needed (Not included)

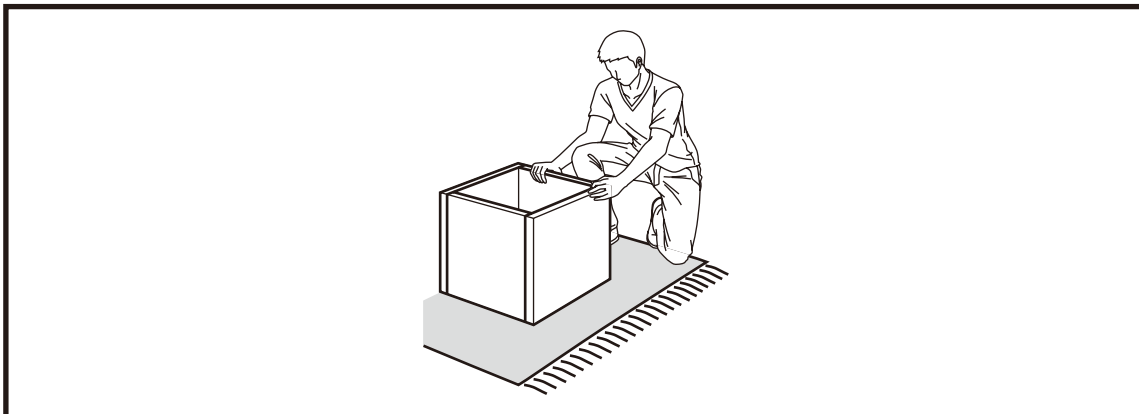




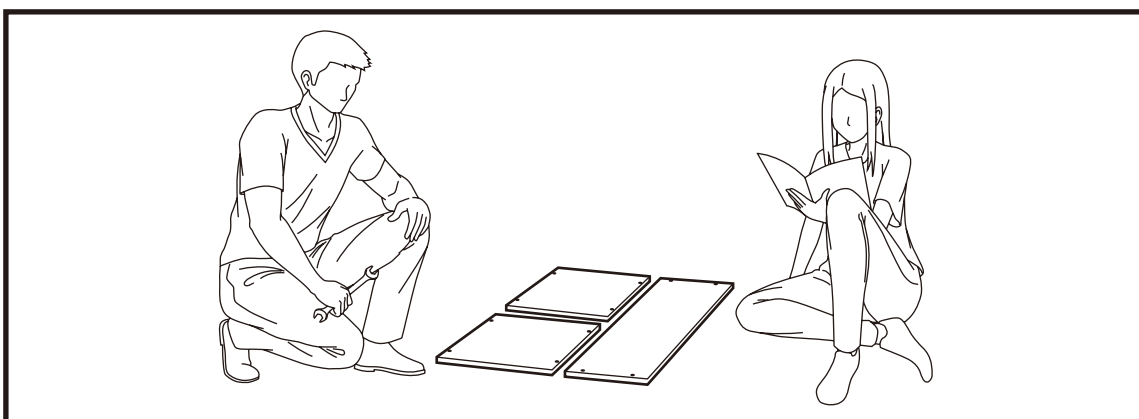
Warning

Serious or fatal crushing injuries may occur if the furniture tip-over. Furniture must permanently fixed to the wall with included anti-tipping device to prevent the furniture from tipping over.

Different wall materials requires different types of fixing device, Use suitable fixing device to secure the stability and load bearing capacity of the furniture. If you are uncertain about which type of fixing device to use, please contact your local hardware store.



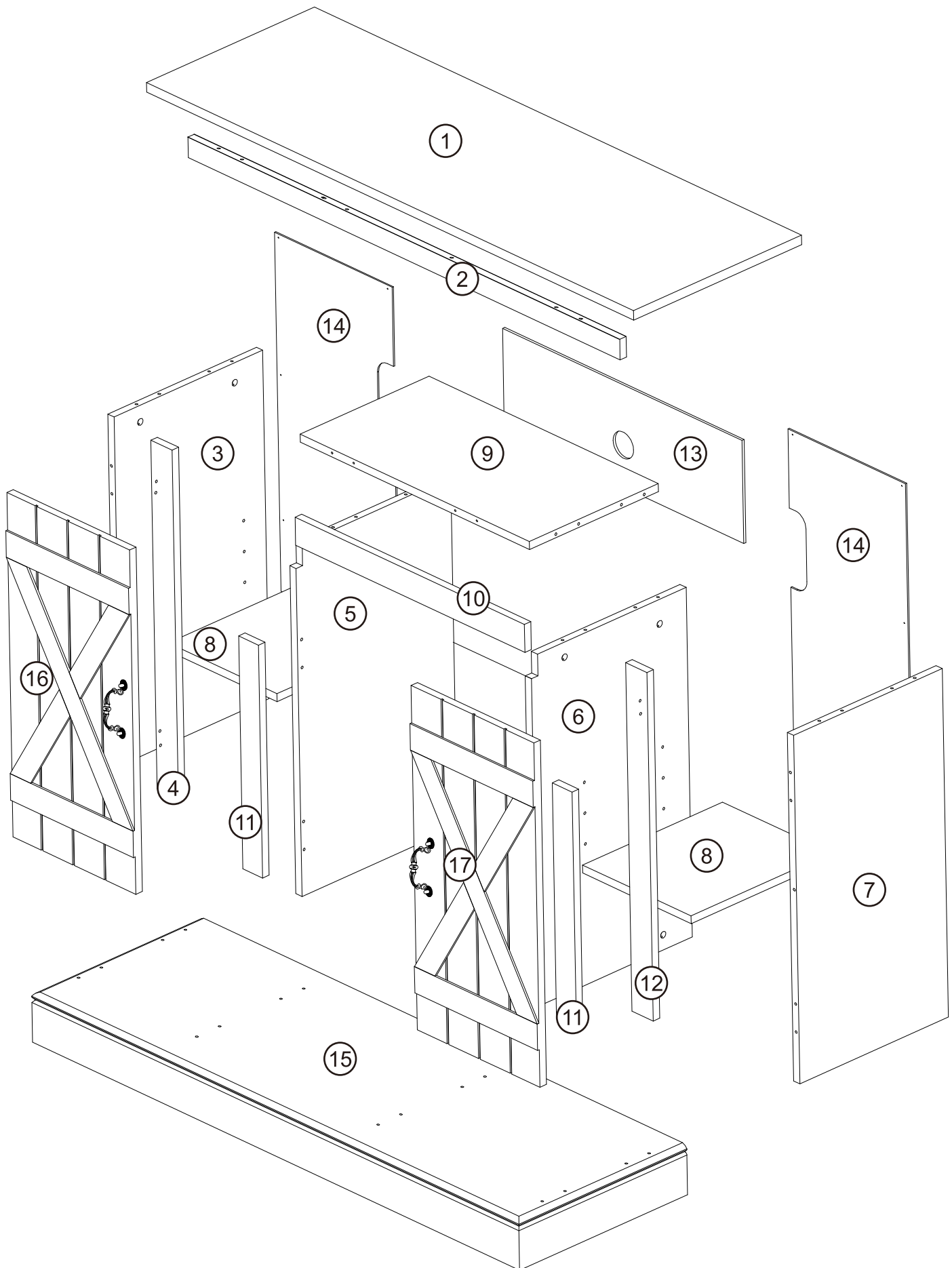
Assembly the furniture on empty carton, carpet, or rug to prevent scratches or damage.



This furniture requires 2 people to assembly.

Make sure no parts are missing or damaged before assembly.

PACKAGE CONTENT



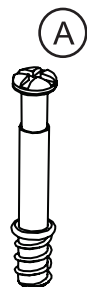
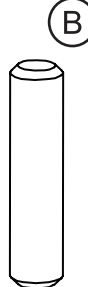
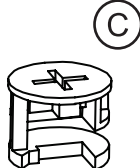
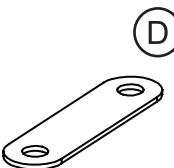
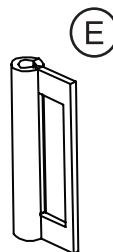

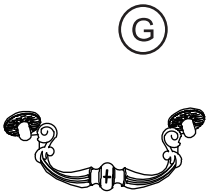
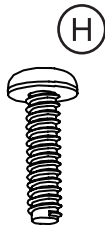
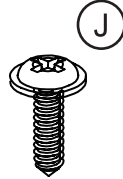

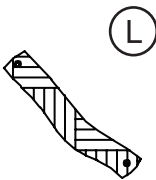
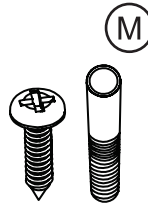
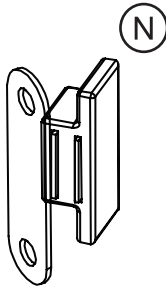
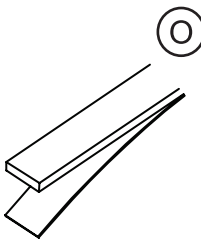
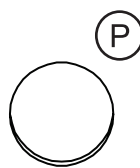
PACKAGE CONTENT (A)

CODE	DESCRIPTION	QTY
1	Countertop Board	1
2	Lintel	1
13	Upper Back Panel	1
14	Lower Back Panel	2
15	Base Plate	1

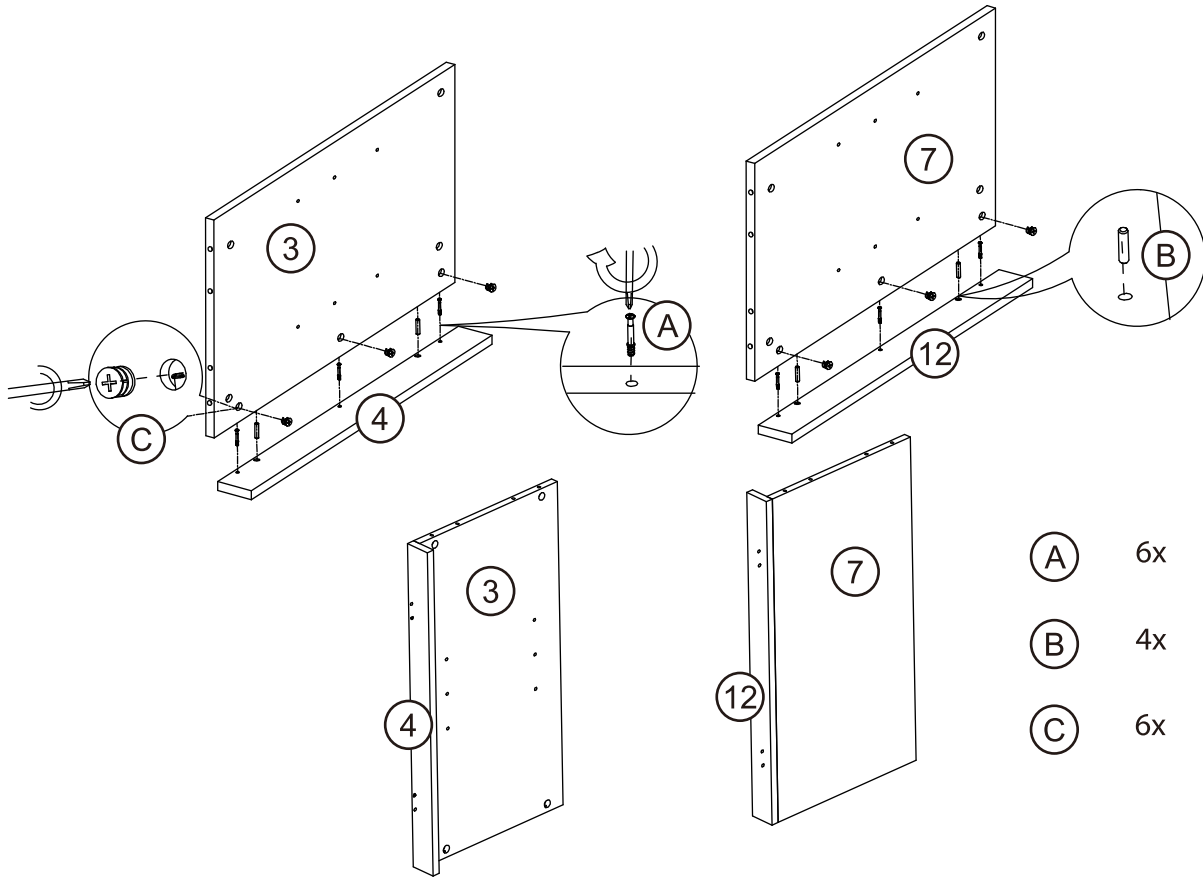
PACKAGE CONTENT (B)

CODE	DESCRIPTION	QTY
3	Left Side Plate	1
4	Left Side Bar	1
5	Left Middle	1
6	Right Middle	1
7	Right Side Plate	1
8	Storage Board	2
9	Laminates	1
10	Center Bar	1
11	Lower Back Panel	2
12	Right Side Bar	1
16	Cabinet Door	1
17	Cabinet Door	1

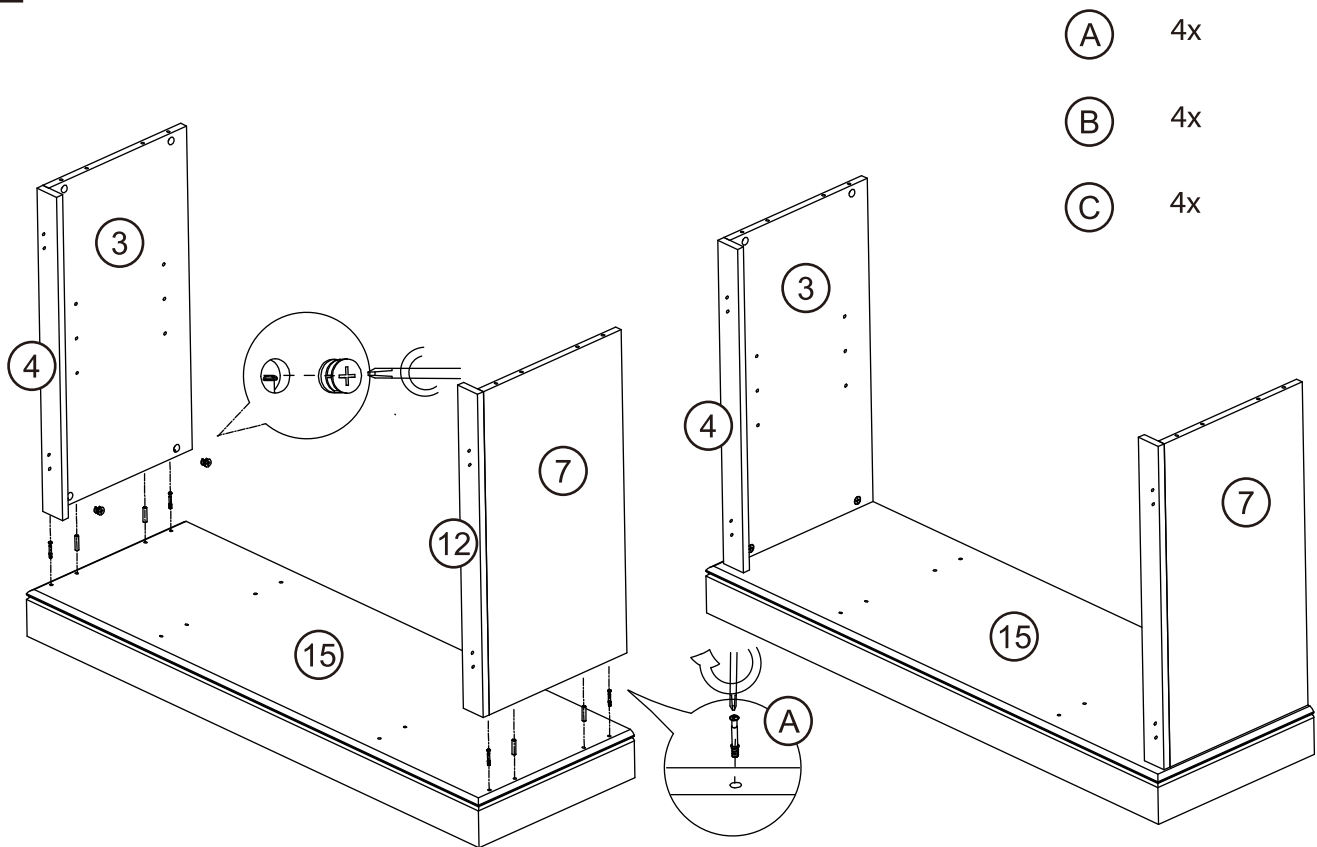
PACKAGE CONTENT

-  **A**
36x + 1
-  **B**
34x + 1
-  **C**
36x + 1
-  **D**
2x
-  **E**
4x
-  **F**
30x
-  **G**
2x
-  **H**
4x
-  **J**
20x+1
-  **K**
8x
-  **L**
2x
-  **M**
2x
-  **N**
2x
-  **O**
1x
-  **P**
36x

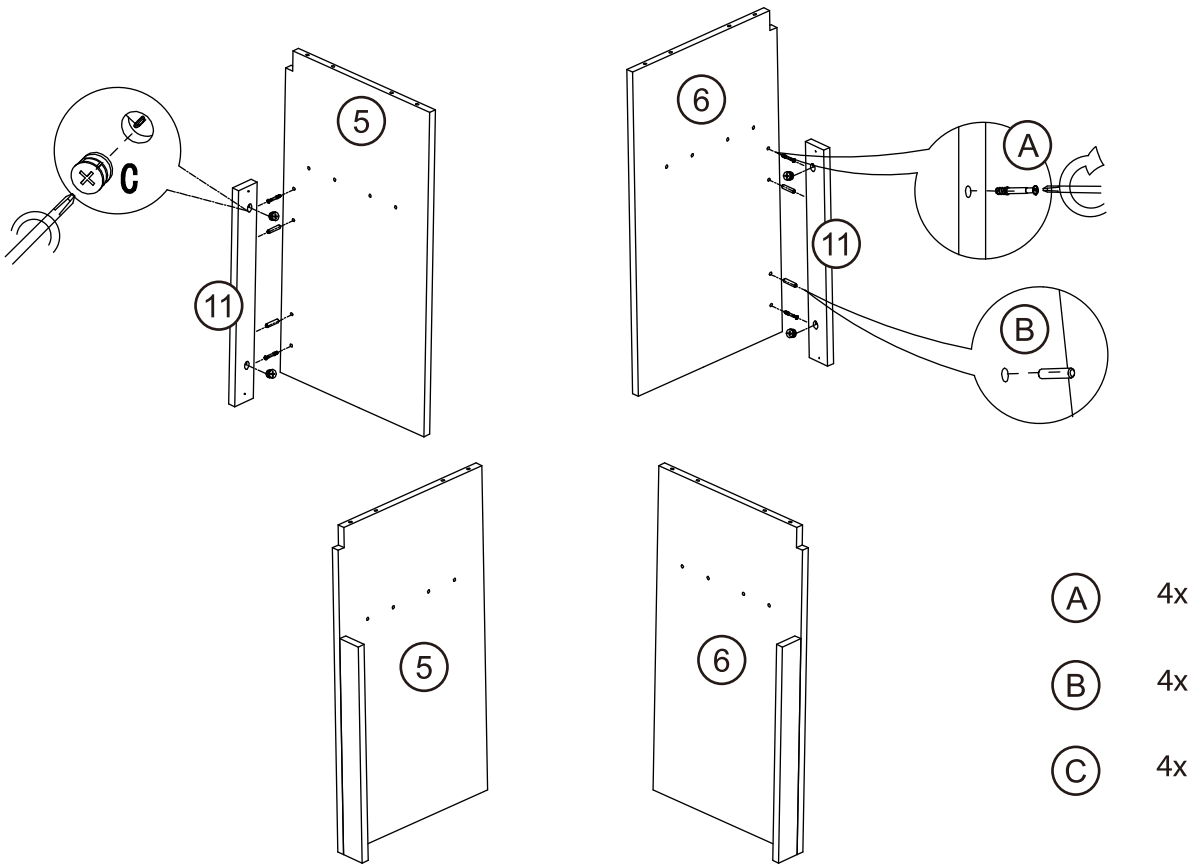
1



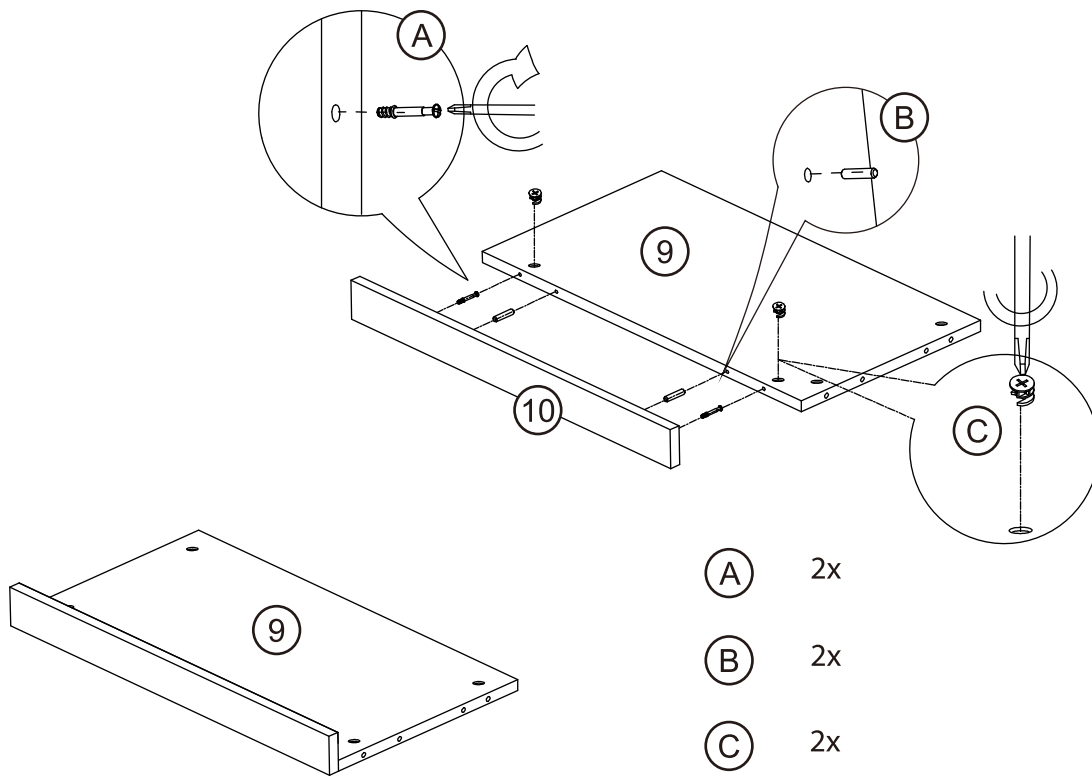
2



3



4

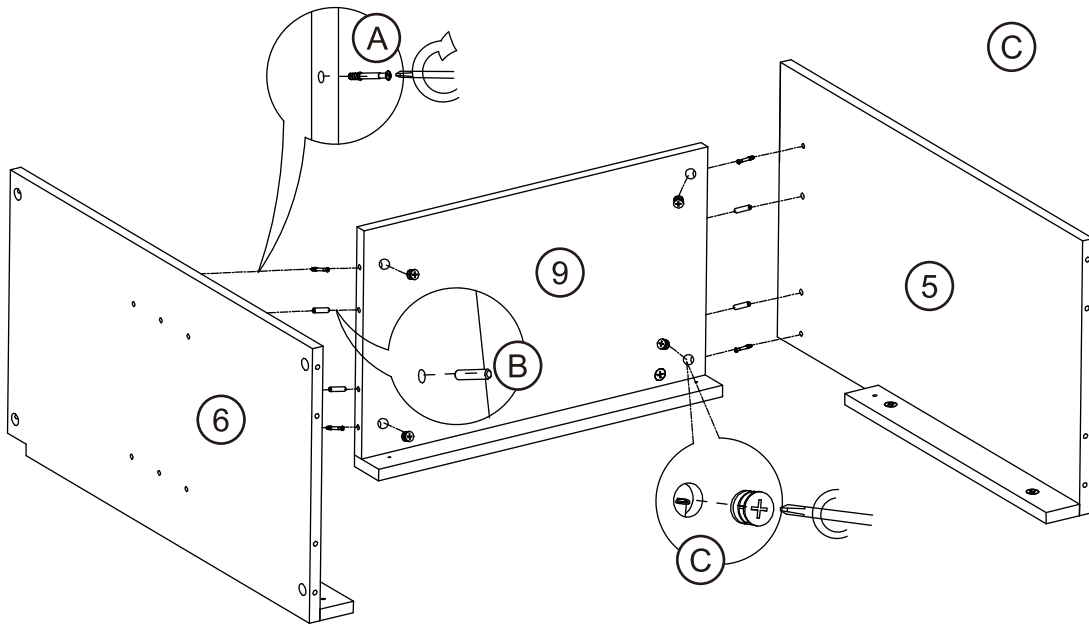


5

(A) 4x

(B) 4x

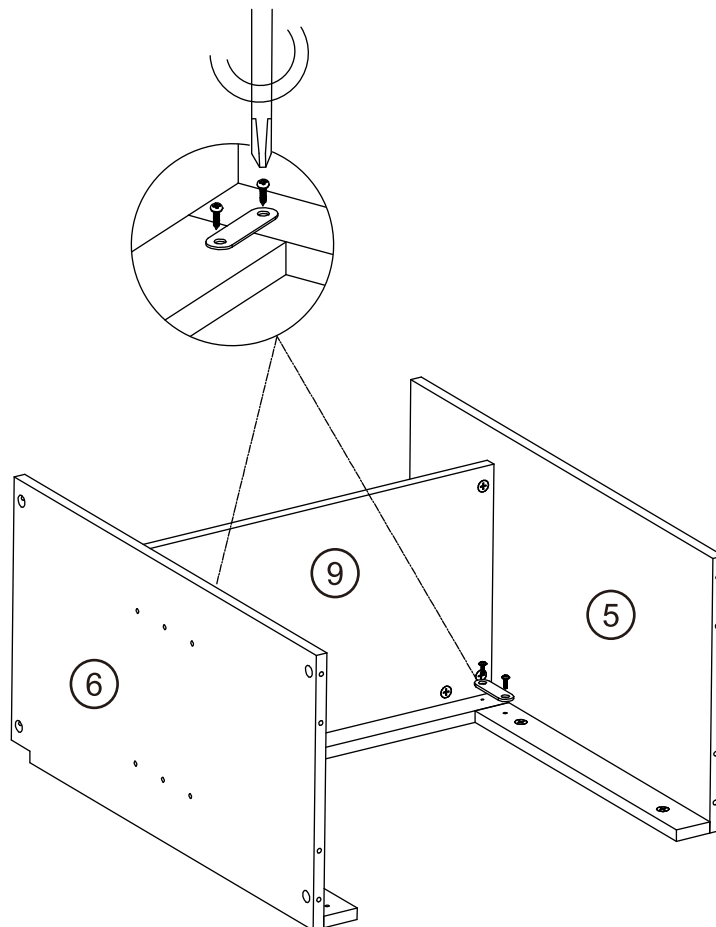
(C) 4x



6

(D) 2x

(F) 4x

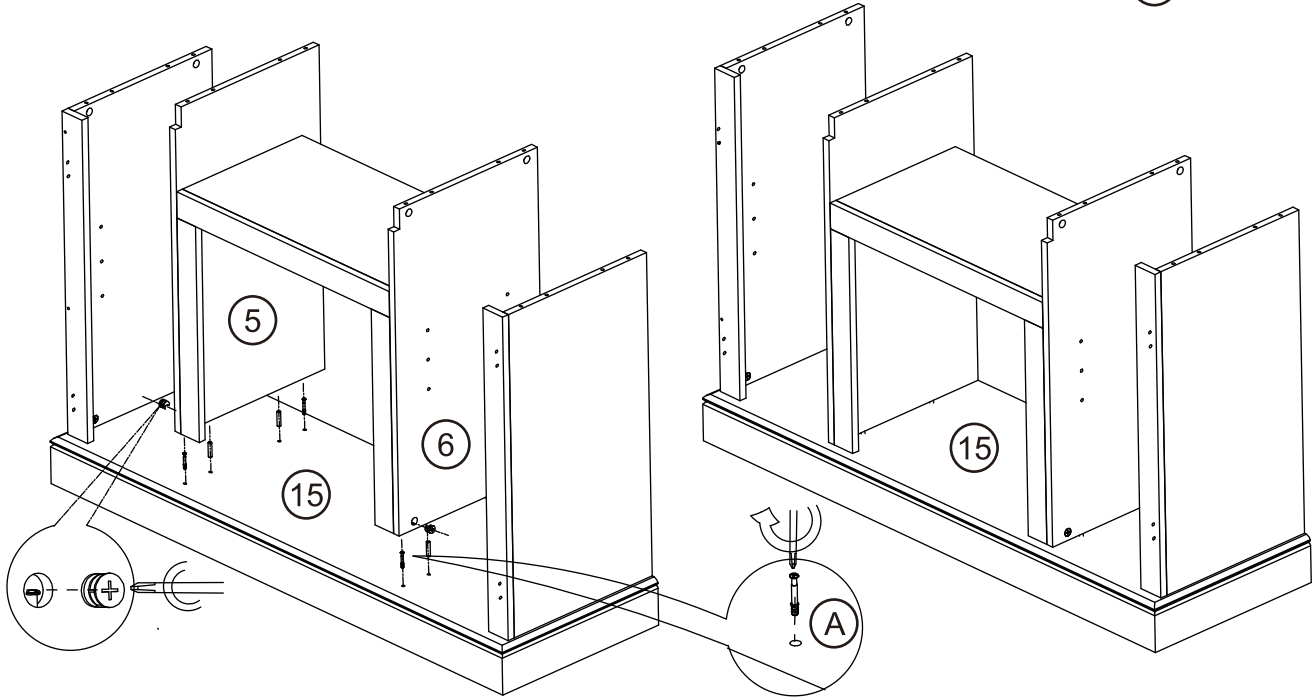


7

(A) 4x

(B) 4x

(C) 4x

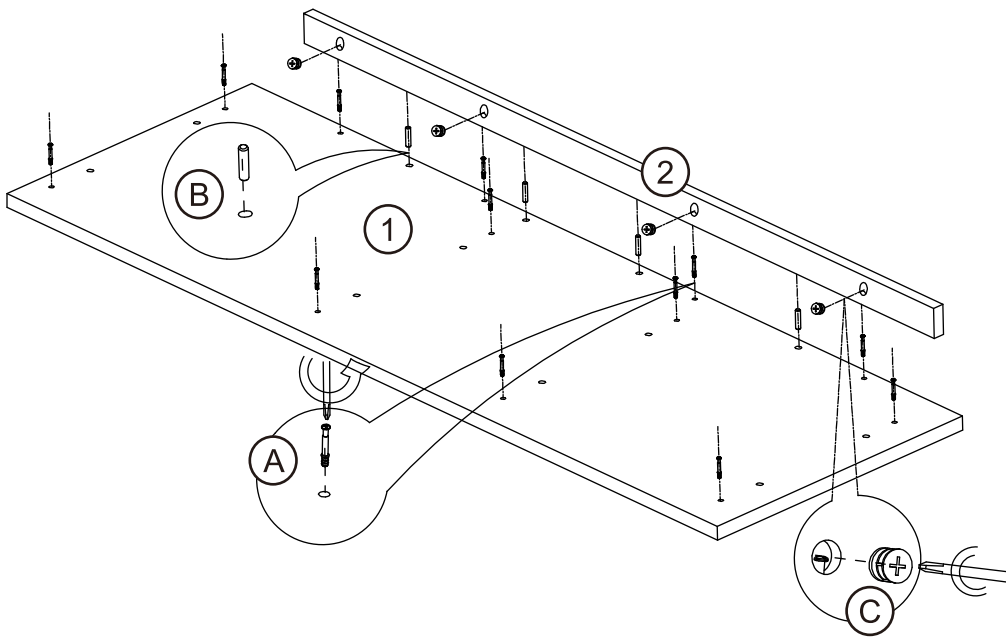


8

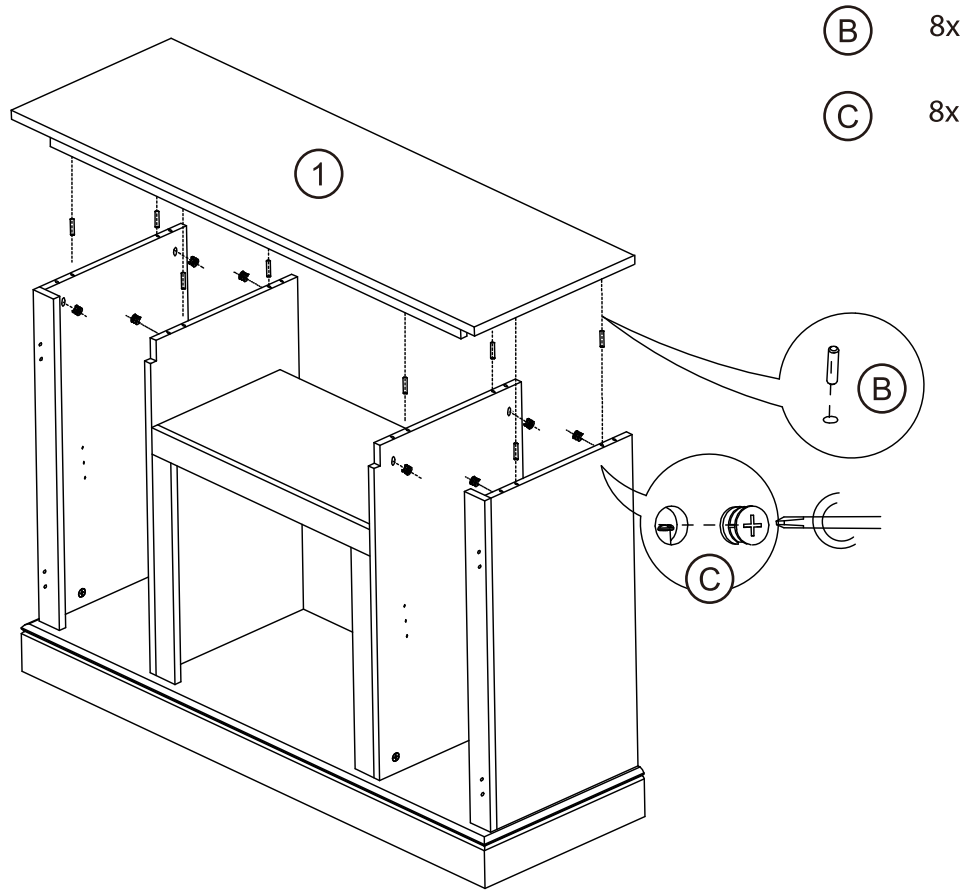
(A) 12x

(B) 4x

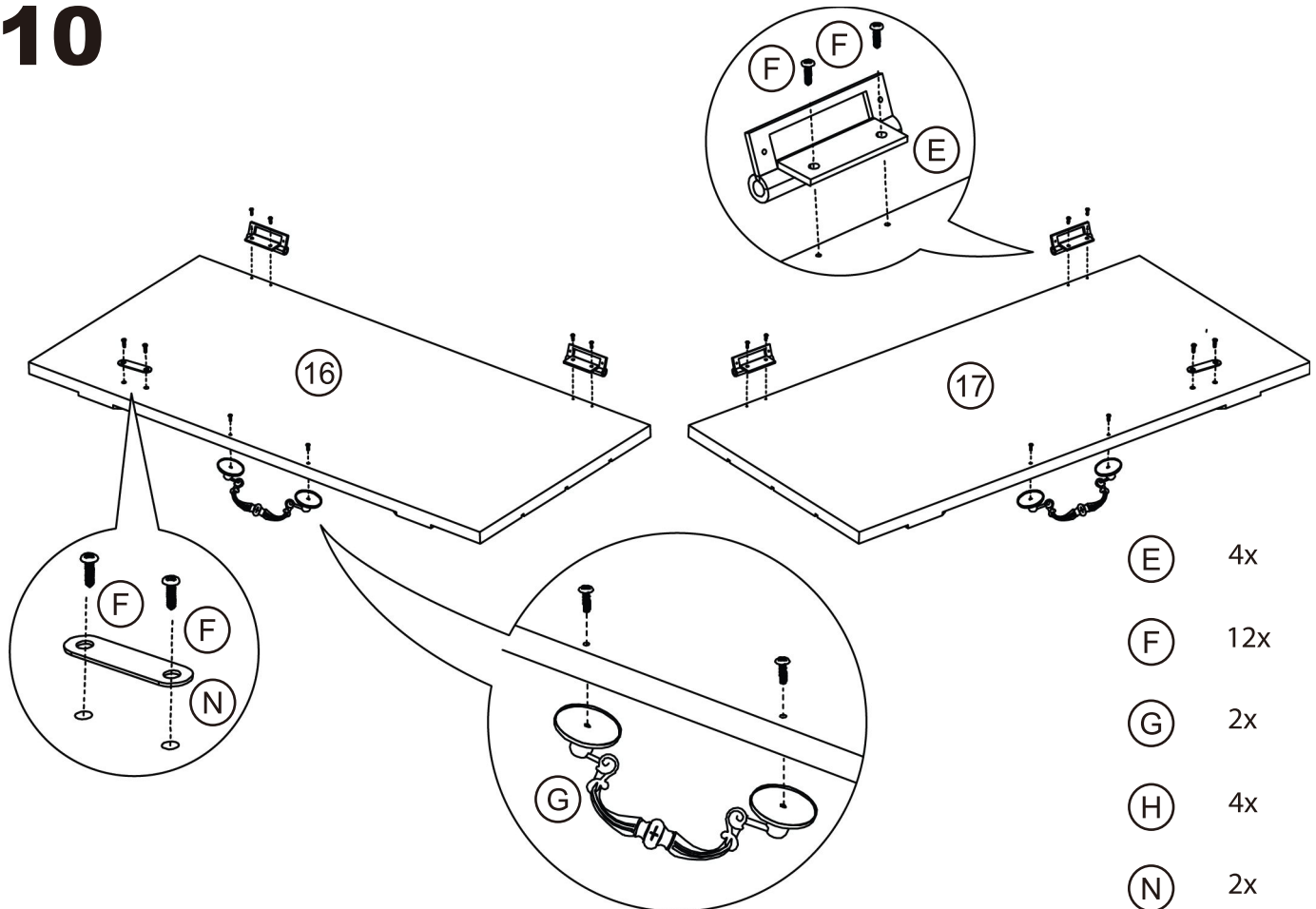
(C) 4x



9



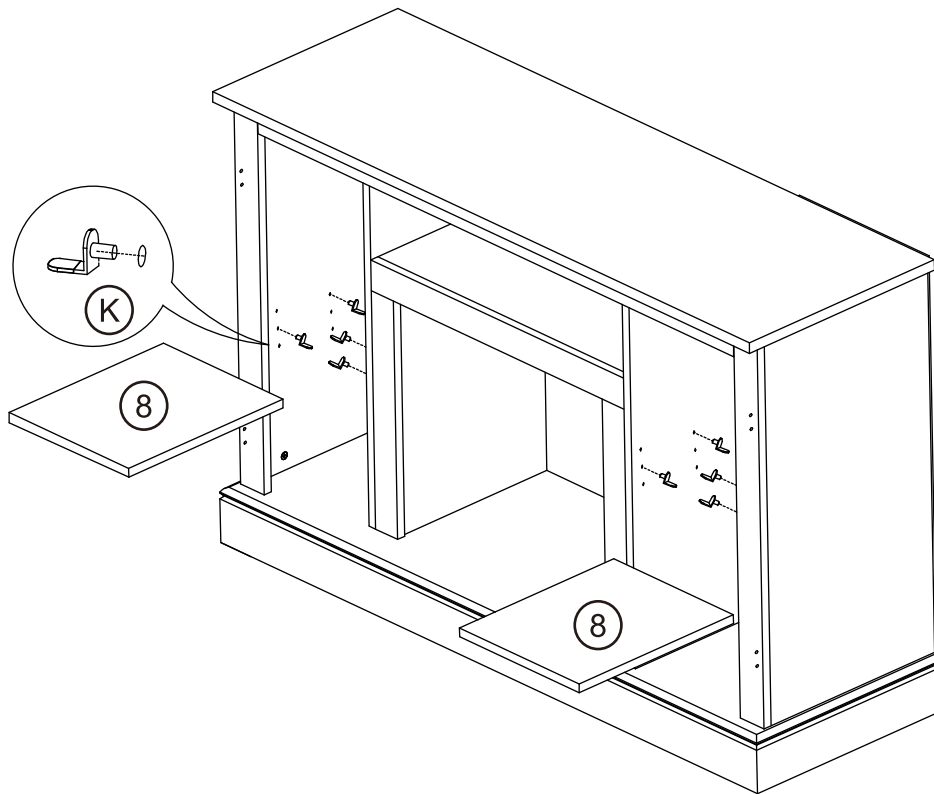
10



FIREPLACE MANTEL ASSEMBLY

11

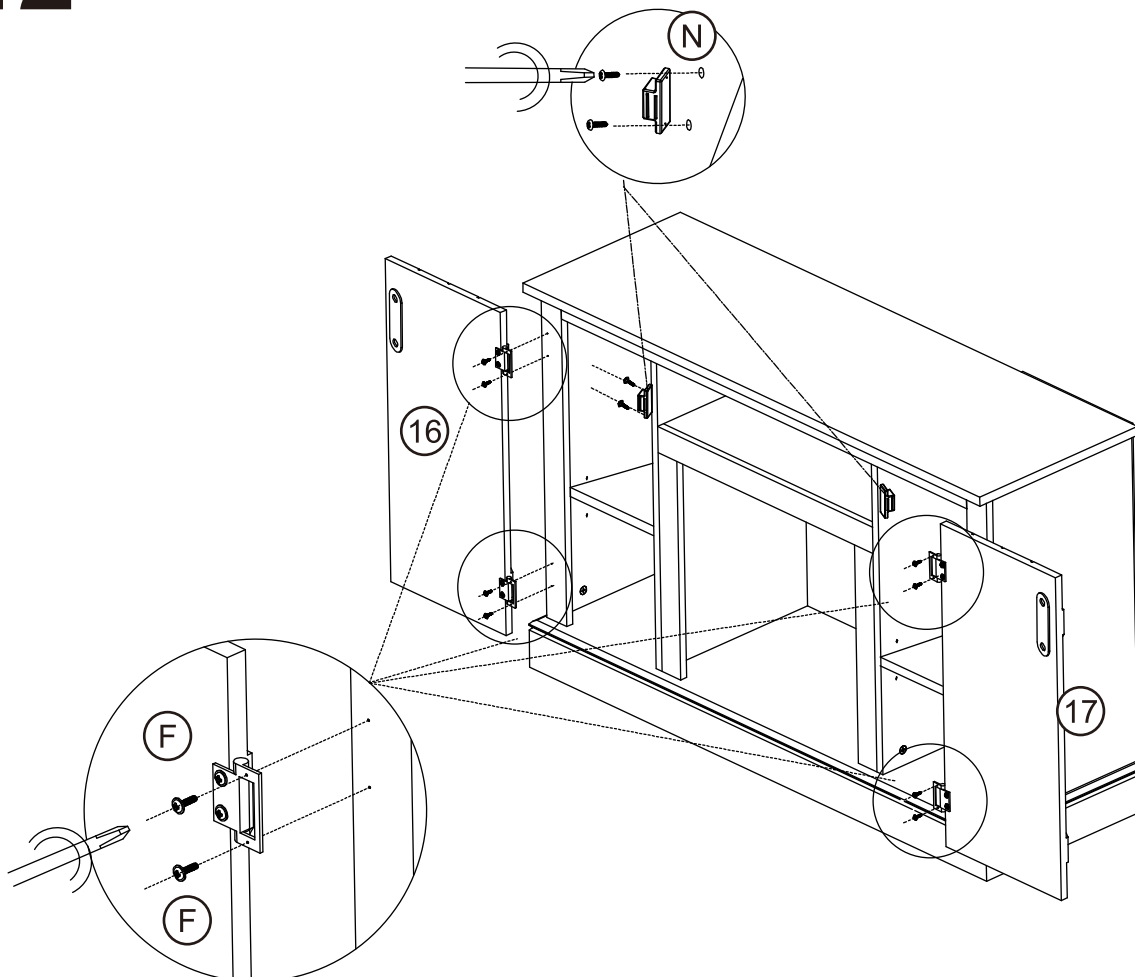
(K) 8x



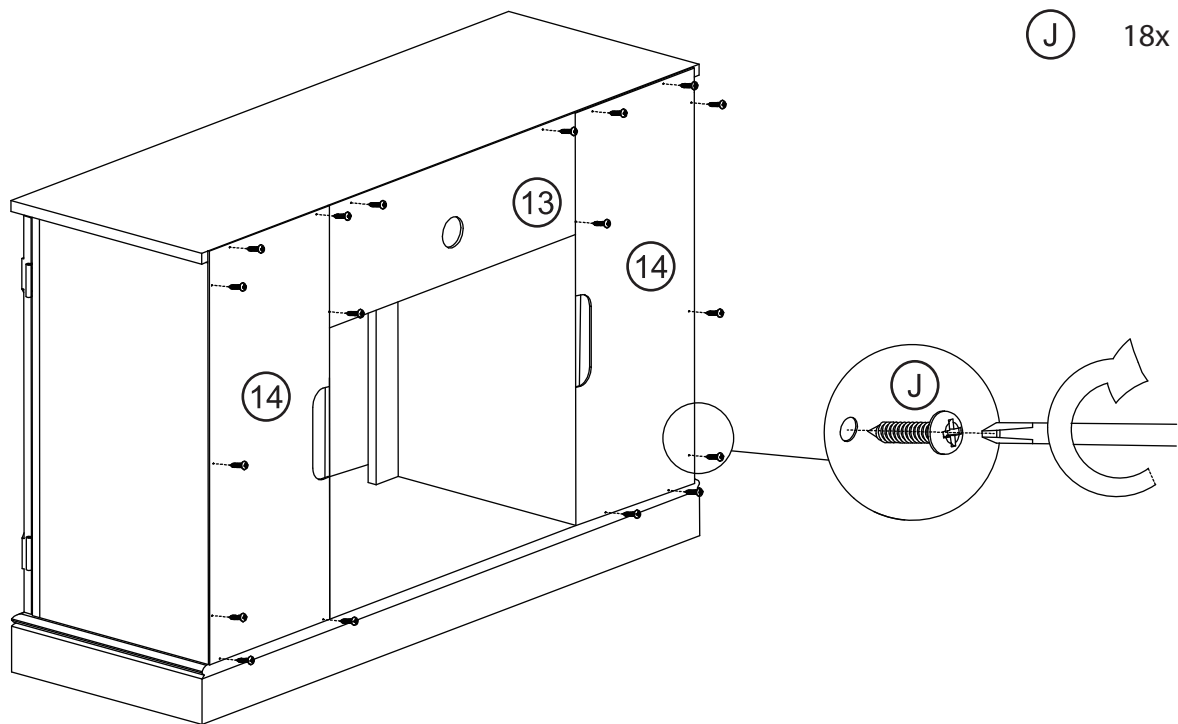
12

(F) 12x

(N) 2x

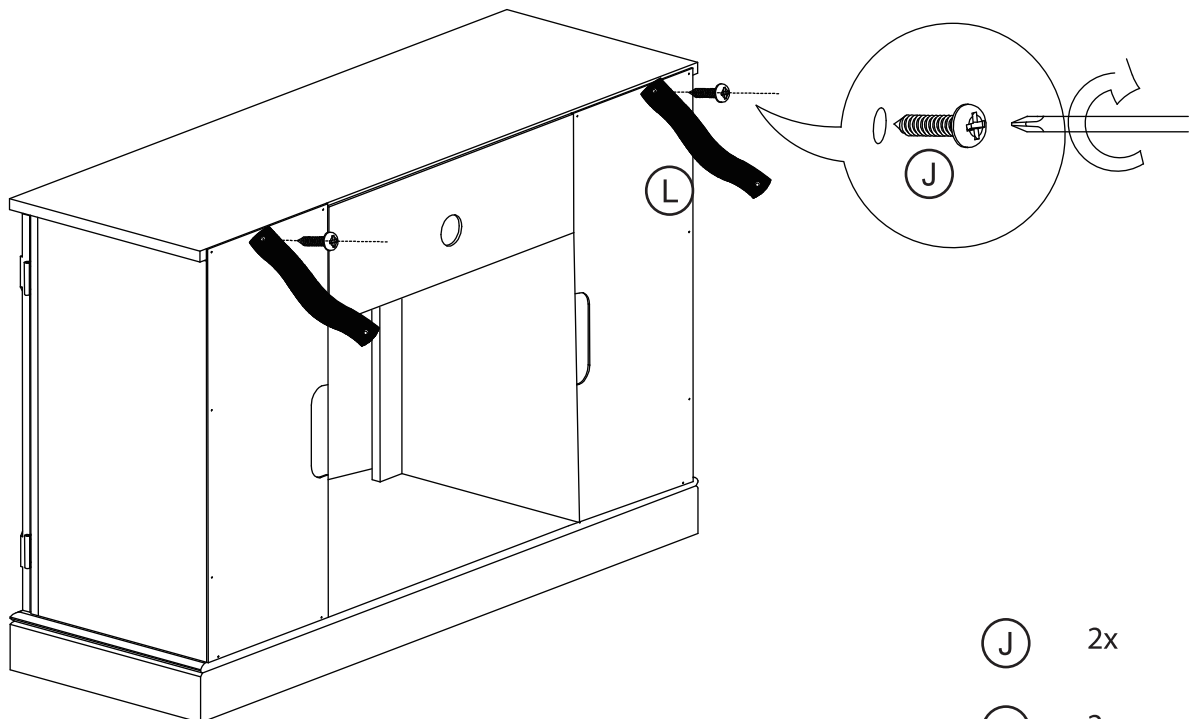


13



ⓐ 18x

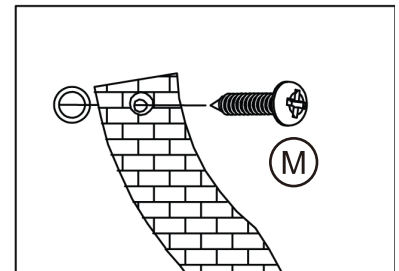
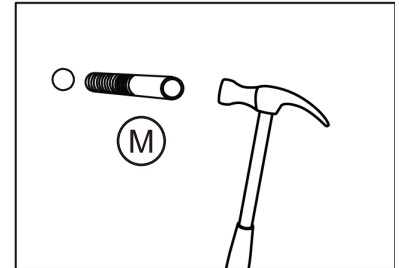
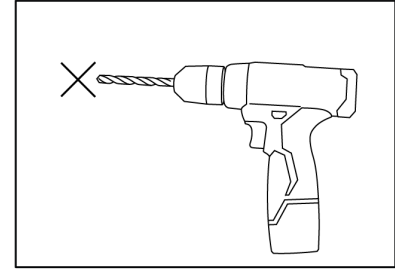
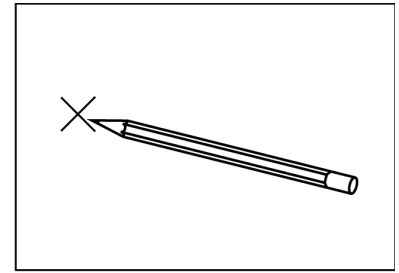
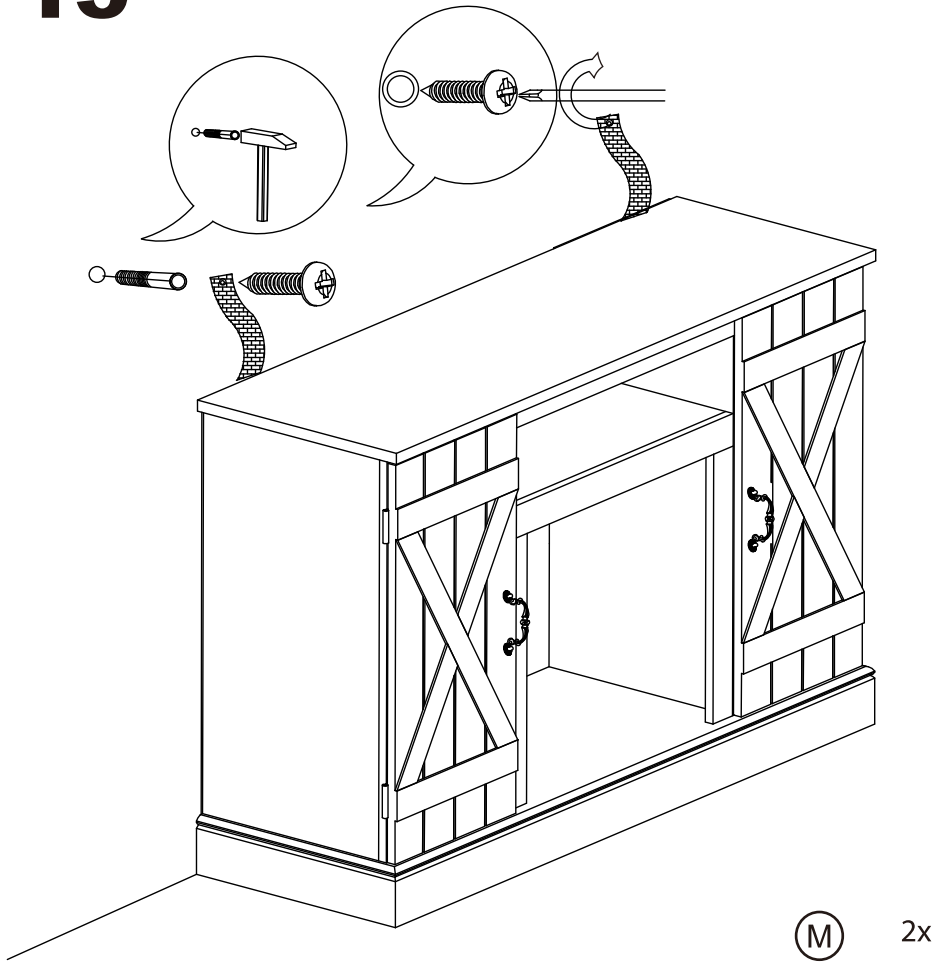
14



ⓐ 2x

Ⓛ 2x

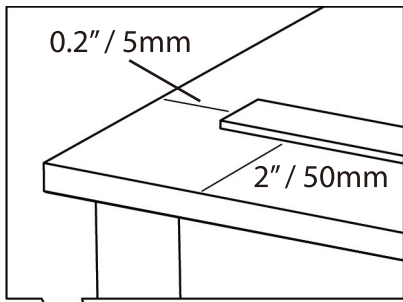
15



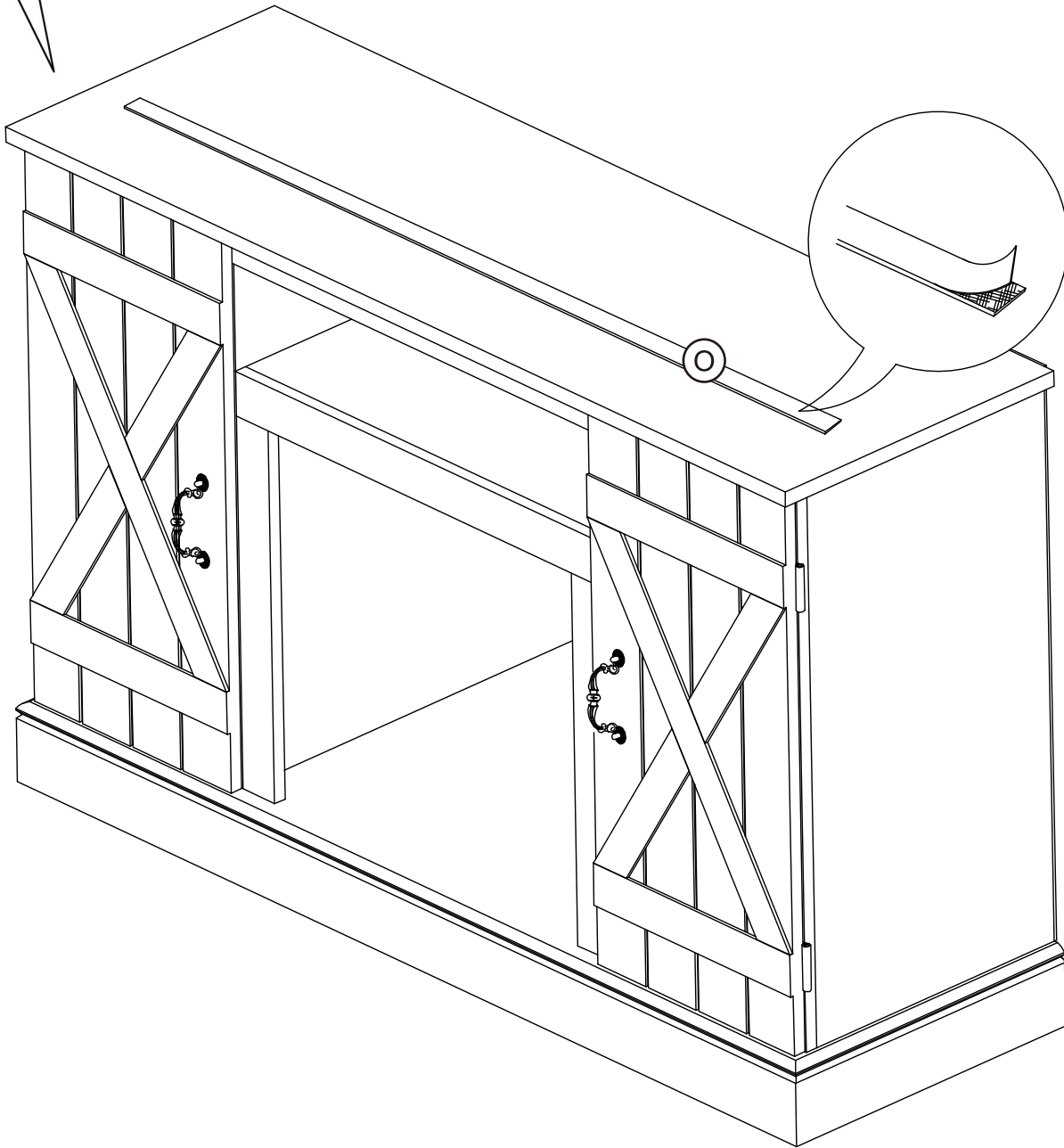
Furniture must permanently fixed to the wall stud with included anti-tipping device to prevent the furniture from tipping over.

- Mark the drill position on the wall with a pencil.
- Drill a small hole on the marked position.
- Insert a wall anchor into the drilled hole.
- Fixed the anti tipping strap to the wall with provided screws.

16

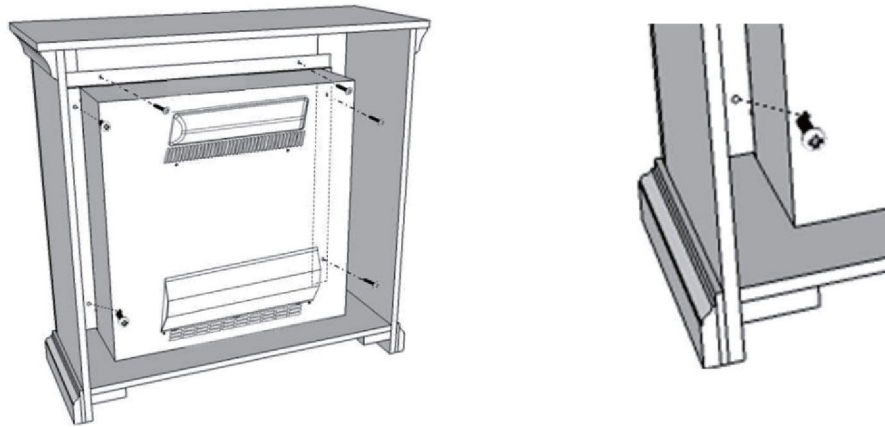


⊙ 1x



NOTE: put the TV behind to the wood trim to prevent fall off.

FINISH!



FIREPLACE INSTALLATION

If you decide to install the fireplace into the mantel, carefully set the unit from the back of the mantel and center it in the opening.

Check the alignment and attach the unit to the mantel by inserting screws through the drilled holes on the trim to the mantel.

NOTE: Do not attempt to install the unit from the front of the mantel. It will not fit.