



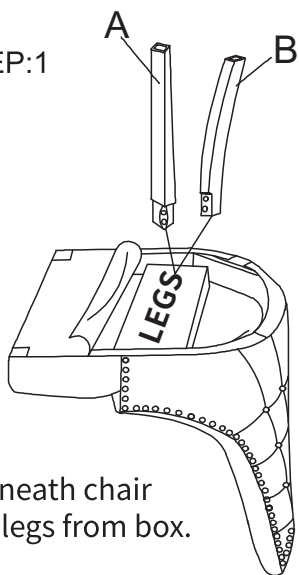
### Parts

NO.	Picture	Description	Size	QTY
A		FRONT LEG	40*40*410mm	2
B		REAR LEG	40*30*410mm	2
C		CHAIR BODY	22.25"W * 26"D * 25.25"H	1

### Hardware

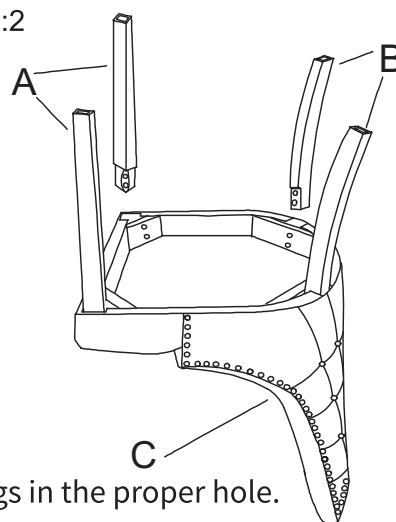
NO.	Picture	Description	Size	QTY
D		Allen Key	Ø5/16*65mm	1
E		Bolt	Ø5/16*50mm	8
F		Flat Washer	Ø5/16*22mm	8
G		Spring Washer	Ø5/16*12mm	8

STEP:1



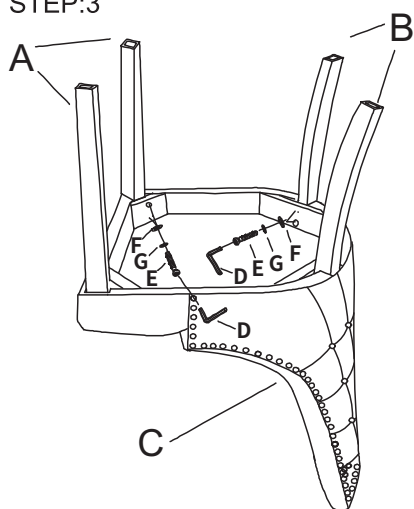
Unzip underneath chair and remove legs from box.

STEP:2



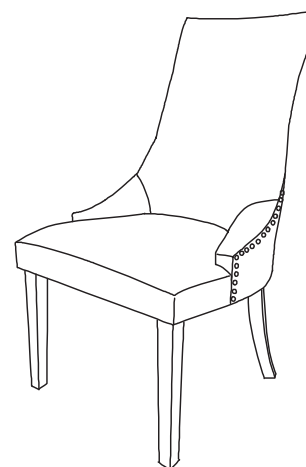
Align legs in the proper hole.

STEP:3



Use the enclosed hardware pack for leg assembly, "IMPORTANT" Donot fully tighten bolt on this step , only tighten "HALF WAY" .

STEP:4



Turn around the chair seat on floor to make sure four legs are aligned and fully tighten all bolts from previous step with allen key.