

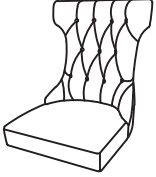






Parts

NO.	Picture	Description	Size	QTY
A		FRONT LEG	40*40*410mm	2
B		REAR LEG	40*30*410mm	2
C		CHAIR BODY	22.25"W * 27.5"D * 27"H	1

Hardware

NO.	Picture	Description	Size	QTY
D		Allen Key	Ø5/16*65mm	1
E		Bolt	Ø5/16*50mm	8
F		Flat Washer	Ø5/16*22mm	8
G		Spring Washer	Ø5/16*12mm	8

