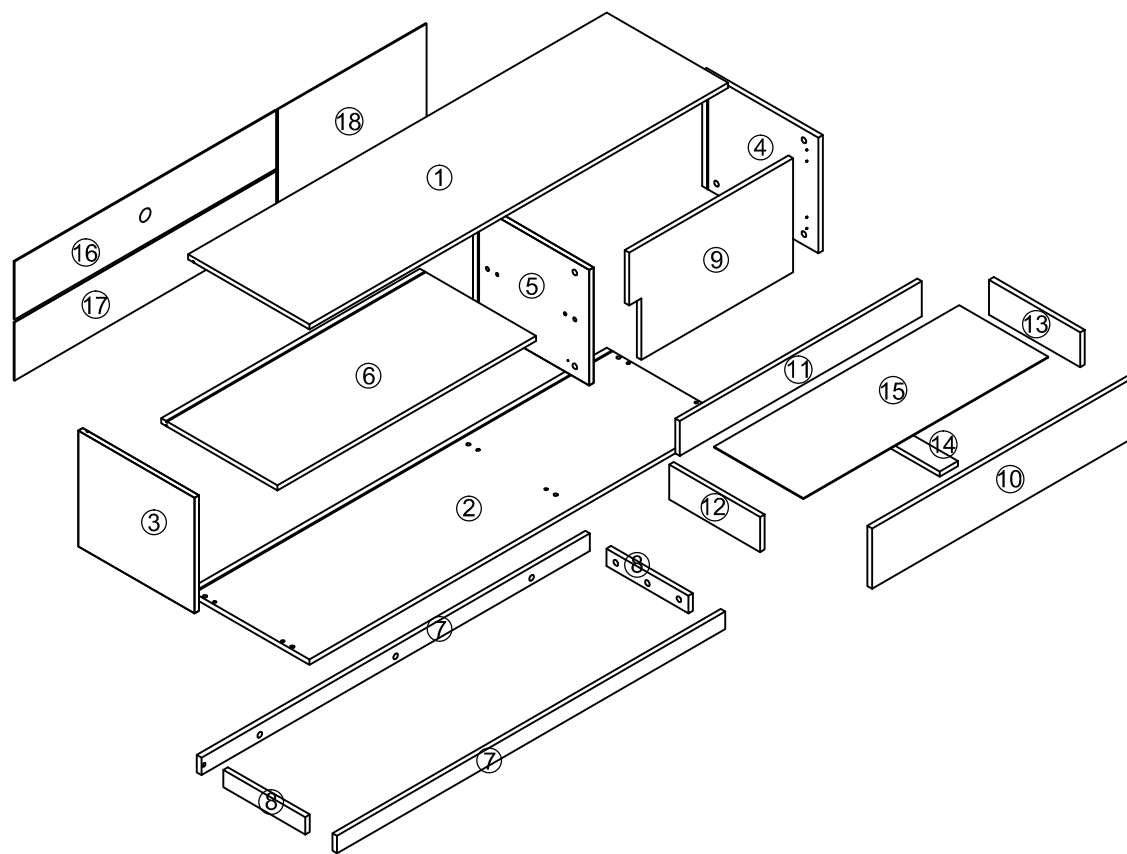
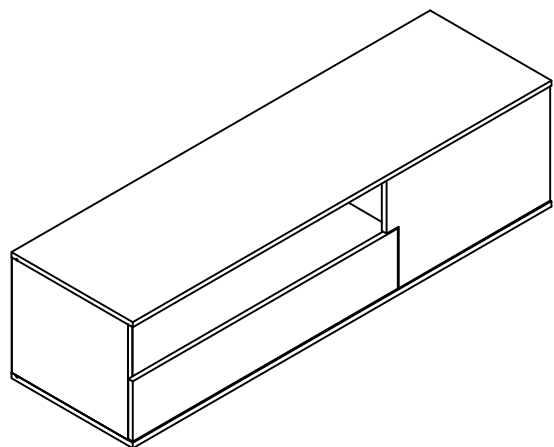

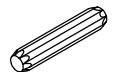
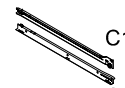
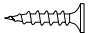
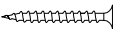

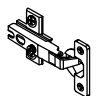


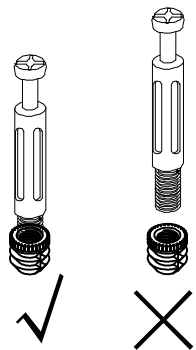
ET21138



A  34PCS	B 8*40  20PCS	C 300mm  C1 C2 1PCS	D 3.5*14  20PCS	E 3.5*35  4PCS	F  4PCS	G  2PCS
--	---	---	--	--	---	---

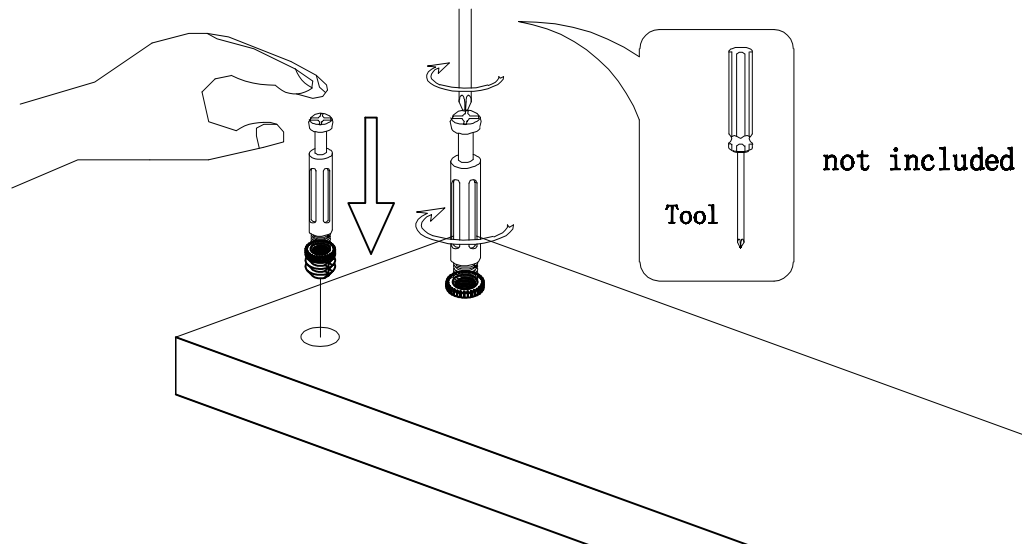
"A" Hardware installation example

I

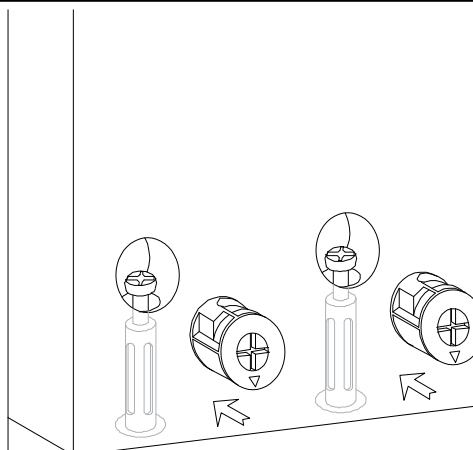


This part cannot be separated,
please install in strict
accordance with the assembly
requirements

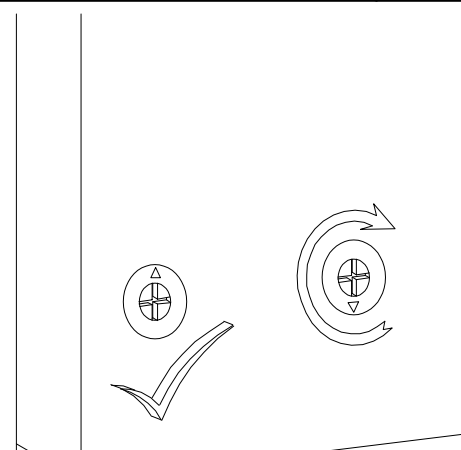
II



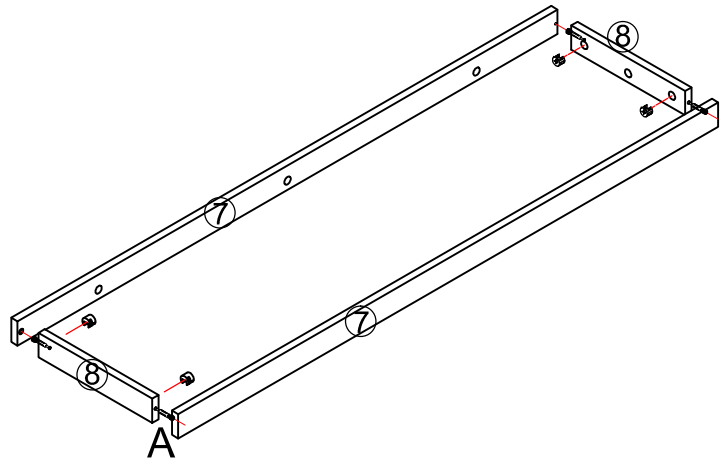
III



IV

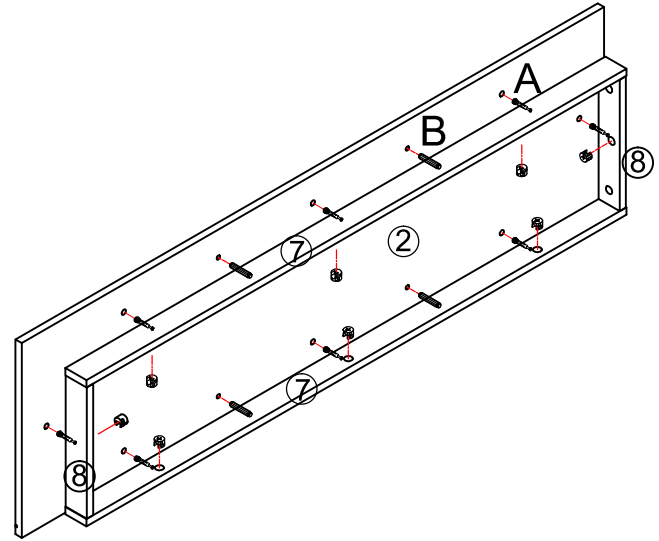


1



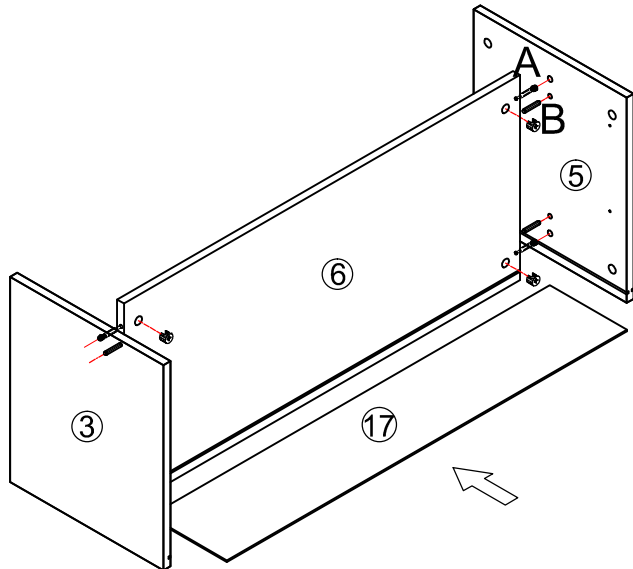
A*4

2



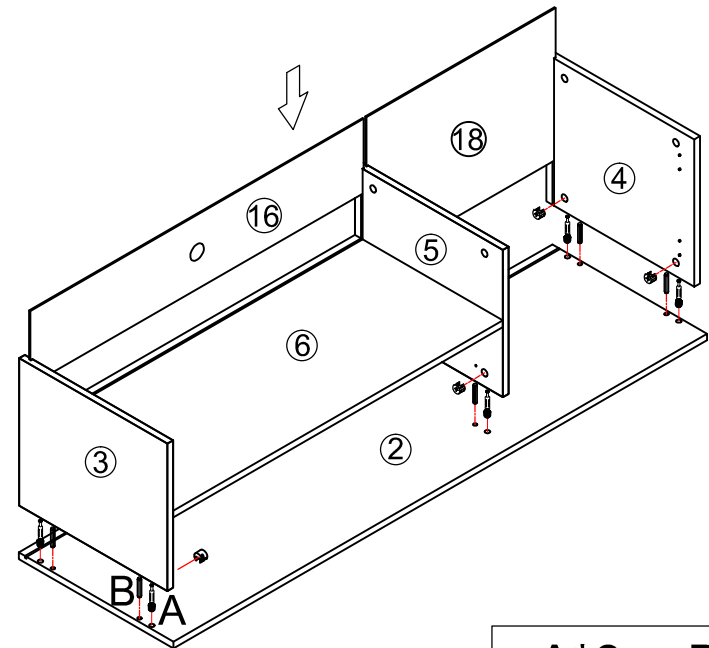
A*8 B*4

3



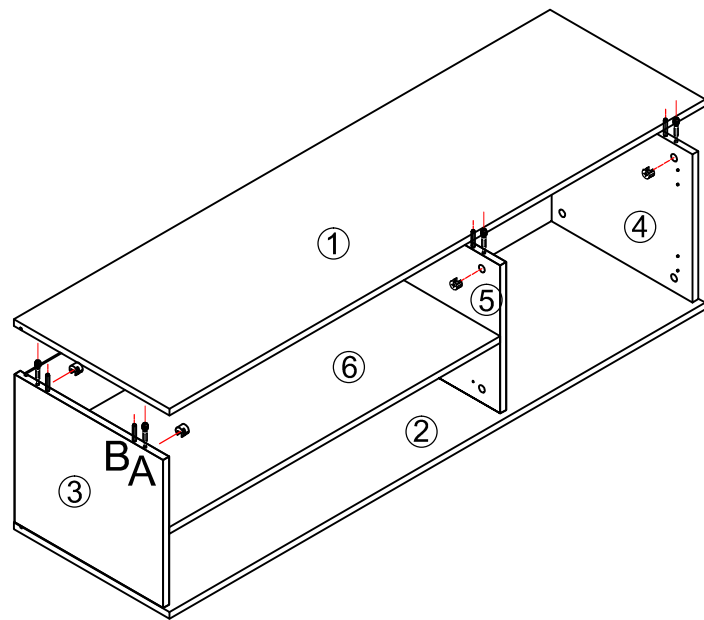
A*4 B*4

4



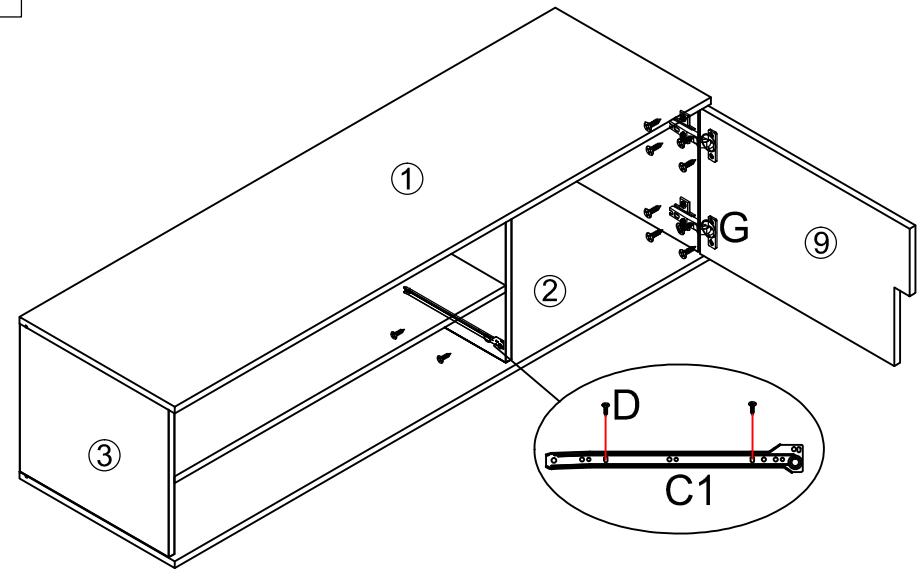
A*6 B*6

5



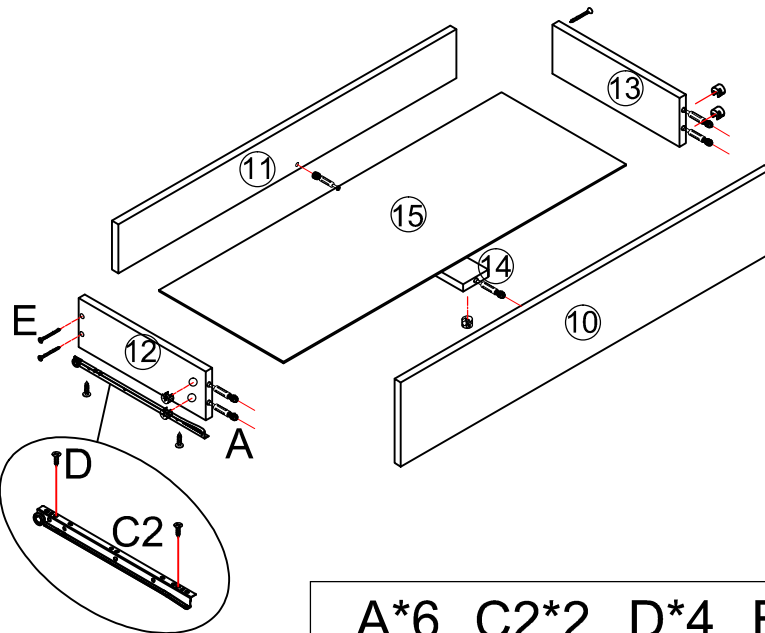
A*6 B*6

6



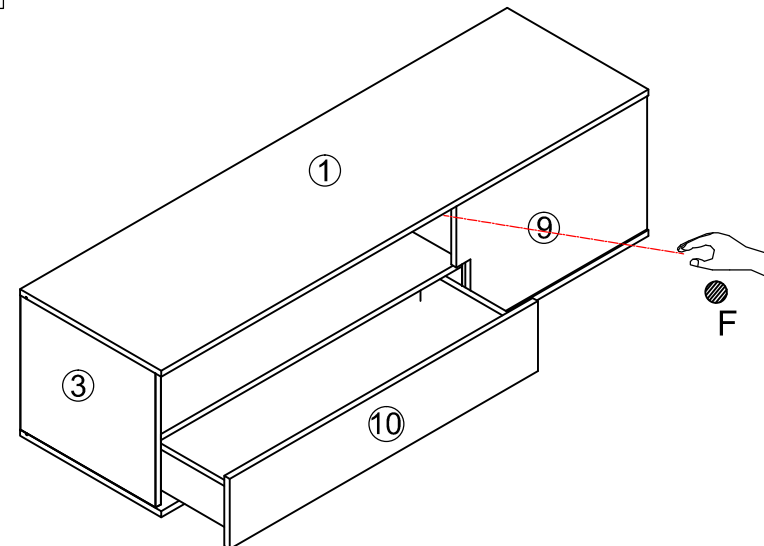
C1*2 D*12 G*2

7



A*6 C2*2 D*4 E*4

8



F*4