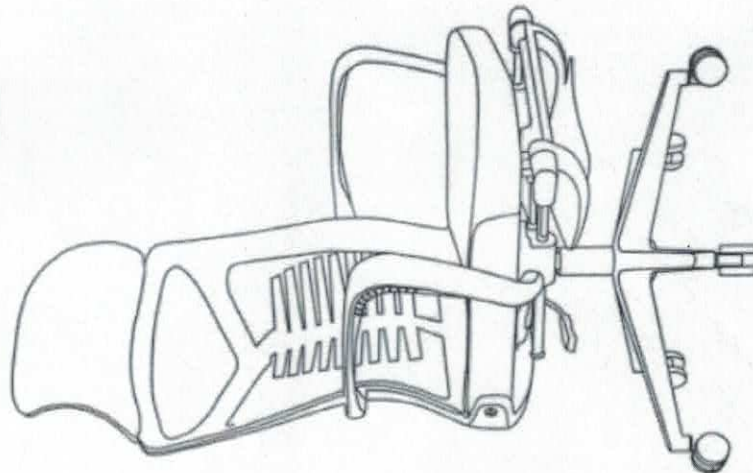











PRODUCT INSTALLATION GUIDE

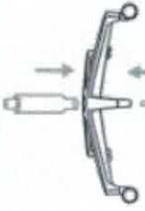


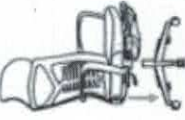


Item Size: 63*62*119(129)CM

Components

 Castor*6	 Base*1	 Gas lift*1	 Frame*1	 (Hexagonal wrench)
 Screw cap*2	 Pin*1-1	 Bolt(8*45)1	 Arm screw (8*36)2	

Install

 <p>1 1. Press the wheel into the chair foot. 2. Put the gas lift into the middle hole of the chair foot.</p>	 <p>2 1. Connect the back rest with the pneumatic rod; insert with 8 * 45 bolt. 2. Fix the pin through the bolt hole.</p>
 <p>3 1. Connect the armrest and the back with 8 * 36 armrest screws. 2. Press the screw cover into the screw hole.</p>	 <p>4 Put the upper part of the assembled chair into the gas lift, and the chair is installed.</p>