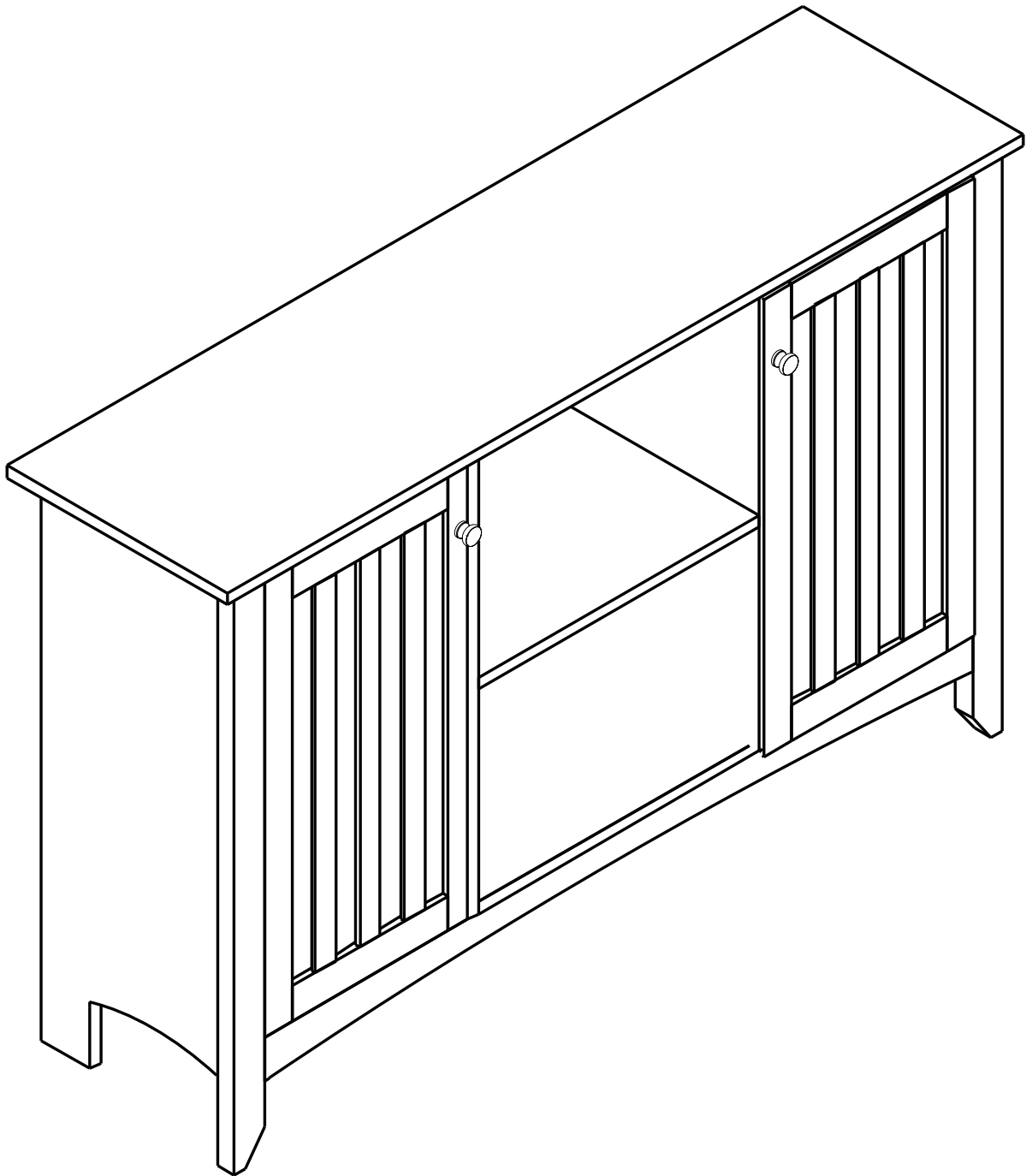


INSTRUCTION MANUAL



SPECIAL TIPS FOR FITTING CAM-LOCKS AND QUICKFIT

**WHEN FITTING CAMLOCK
ENSURE STARTING POSITION IS CORRECT
BEFORE YOU INSERT CONNECTING QUICKFIT
TURN CLOCKWISE UNTIL SECURE**

CORRECT **WRONG**

CAM-LOCK

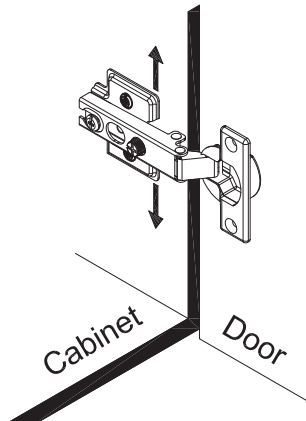
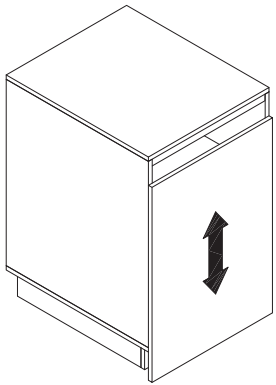
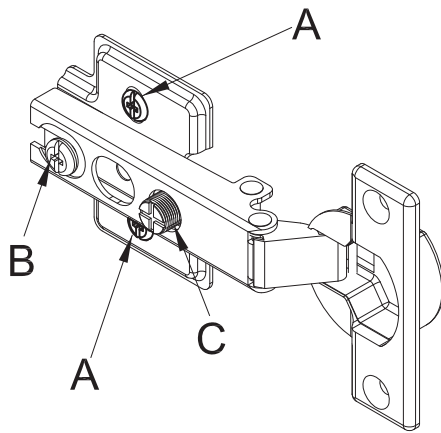
Quickfit head needs to be in centre

QUICKFIT

Tighten until shoulder is flush with panel. DO not overtighten or undertighten (see example below)

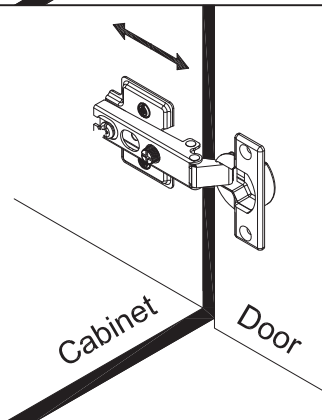
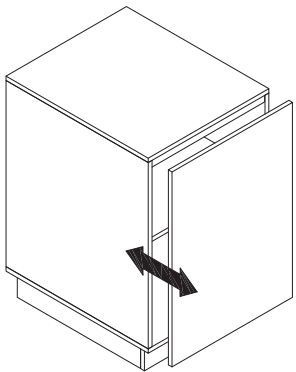
Panel **Panel**

Shoulder



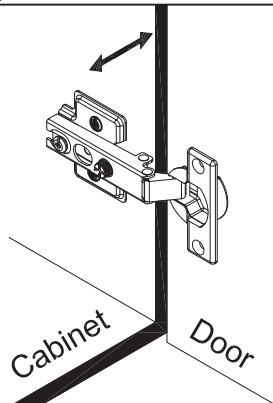
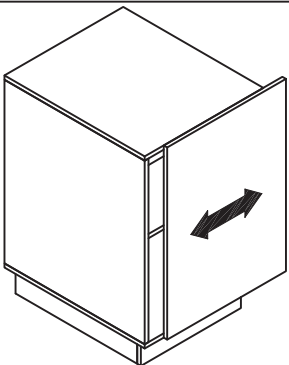
To adjust the vertical height.

Loosen the four screws "A" on both hinges. Two of them are usually in slotted holes which allows you to adjust up or down by a few mm. Then tighten back up.



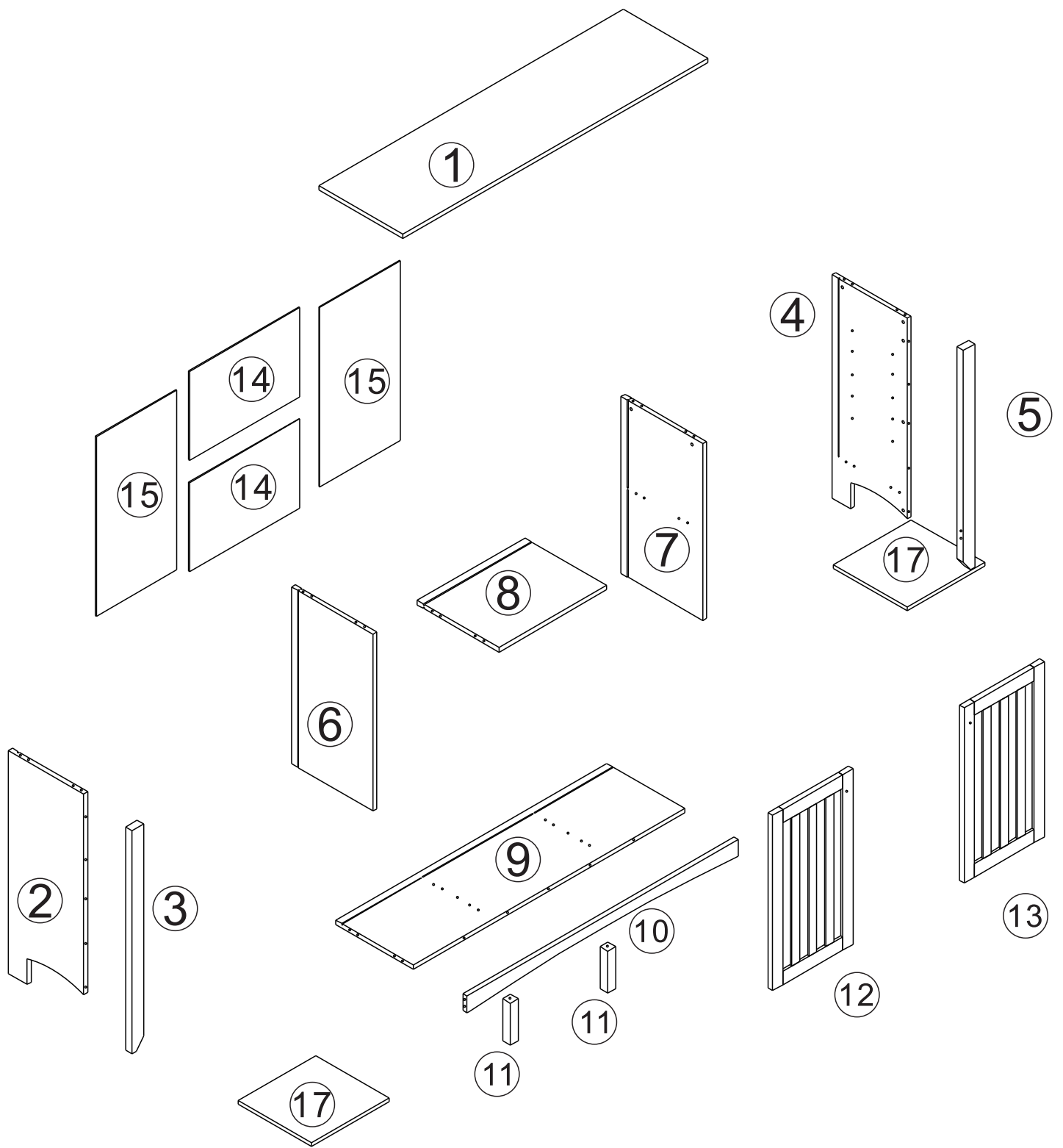
To adjust depth.

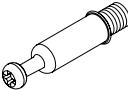

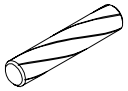
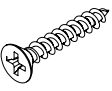

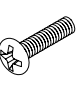


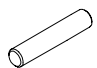

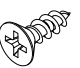
Loosen screw "B" and adjust door, if the door can not be adjusted, please loosen screw "C", then try again. Tighten screw "B" and "C".



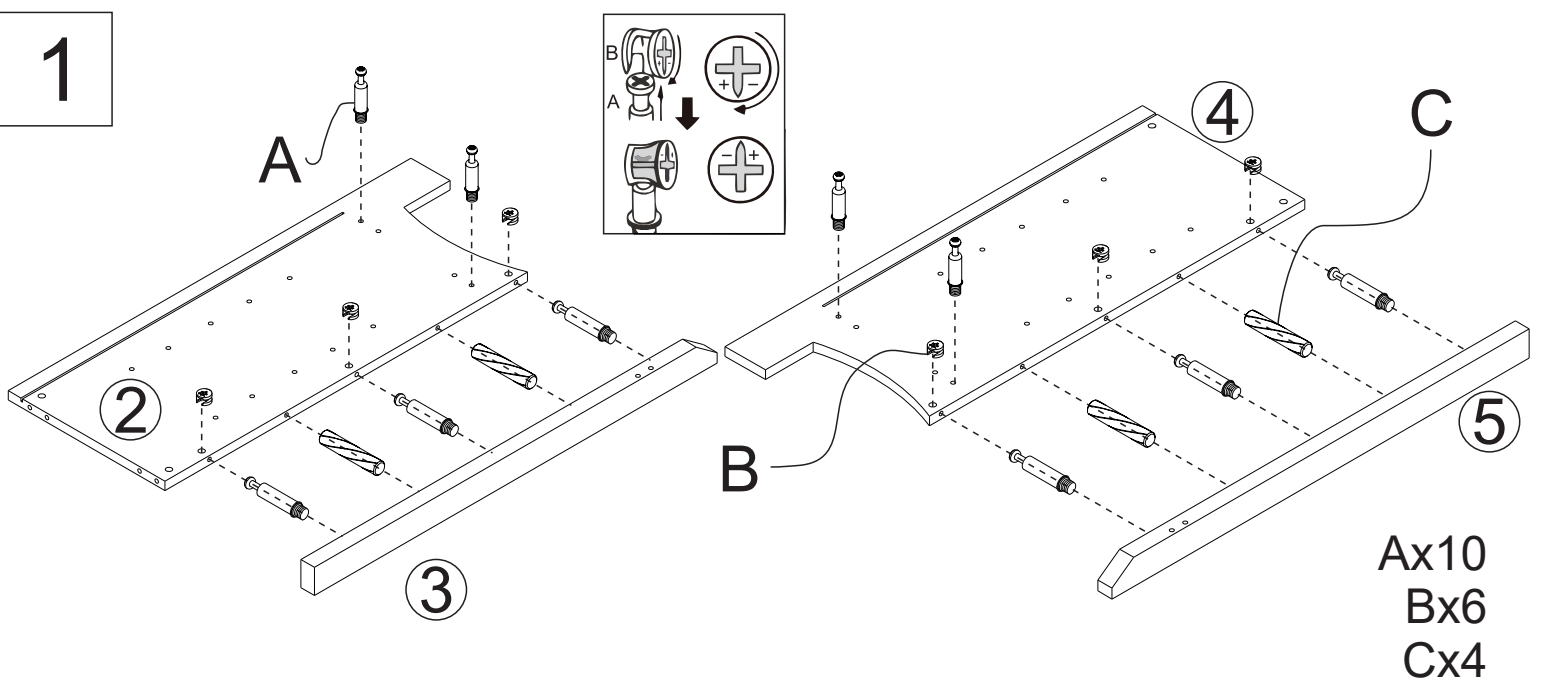
To adjust side ways.

Turning the screw "C" on BOTH hinges on each door.



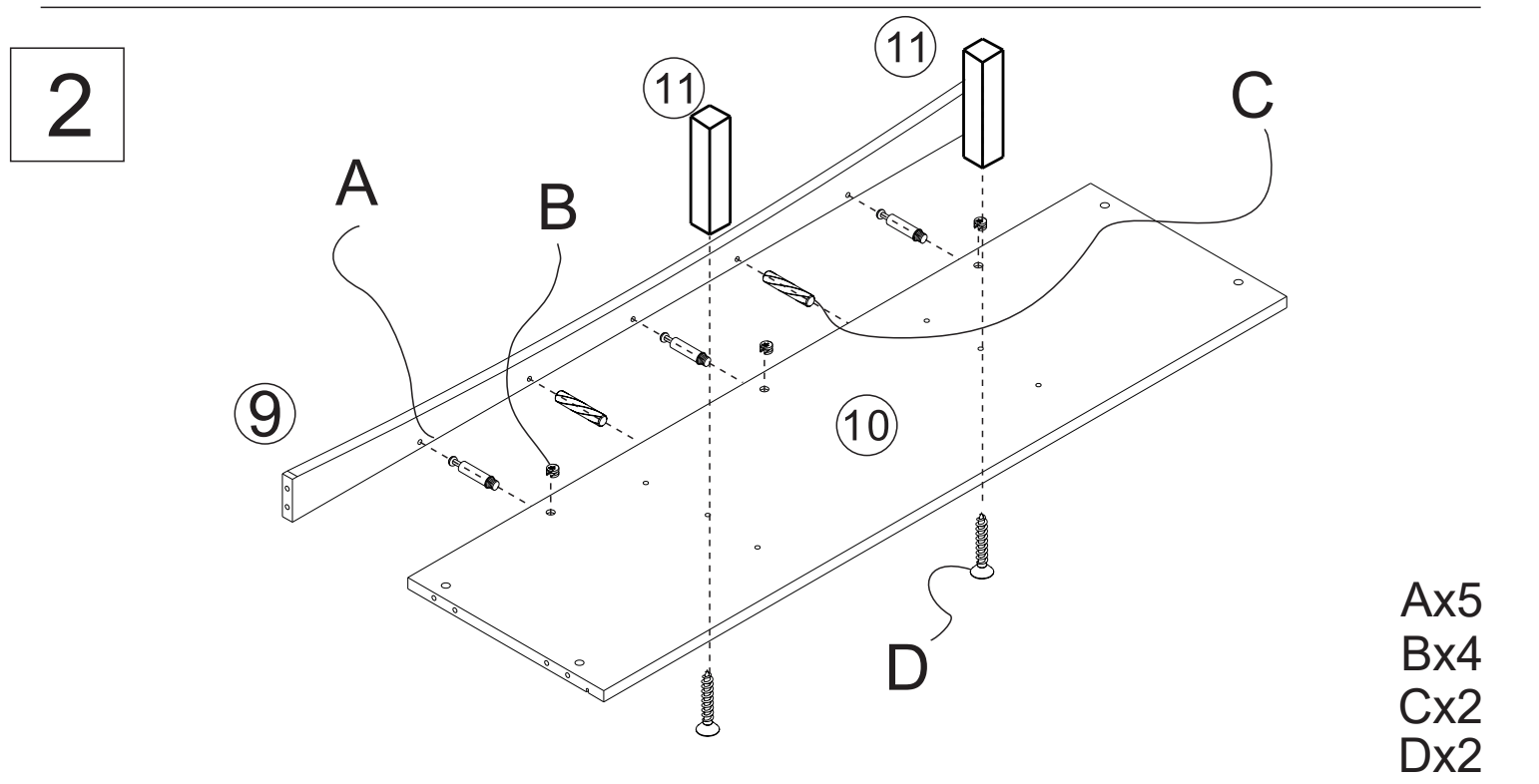
A 	B 	C 	D 	E 	F 
25 pcs	25 pcs	30 pcs	6 pcs	24 pcs	2 pcs
G 	H 	I 	J 	K 	
4 pcs	2 pcs	8 pcs	16 pcs	16 pcs	

1



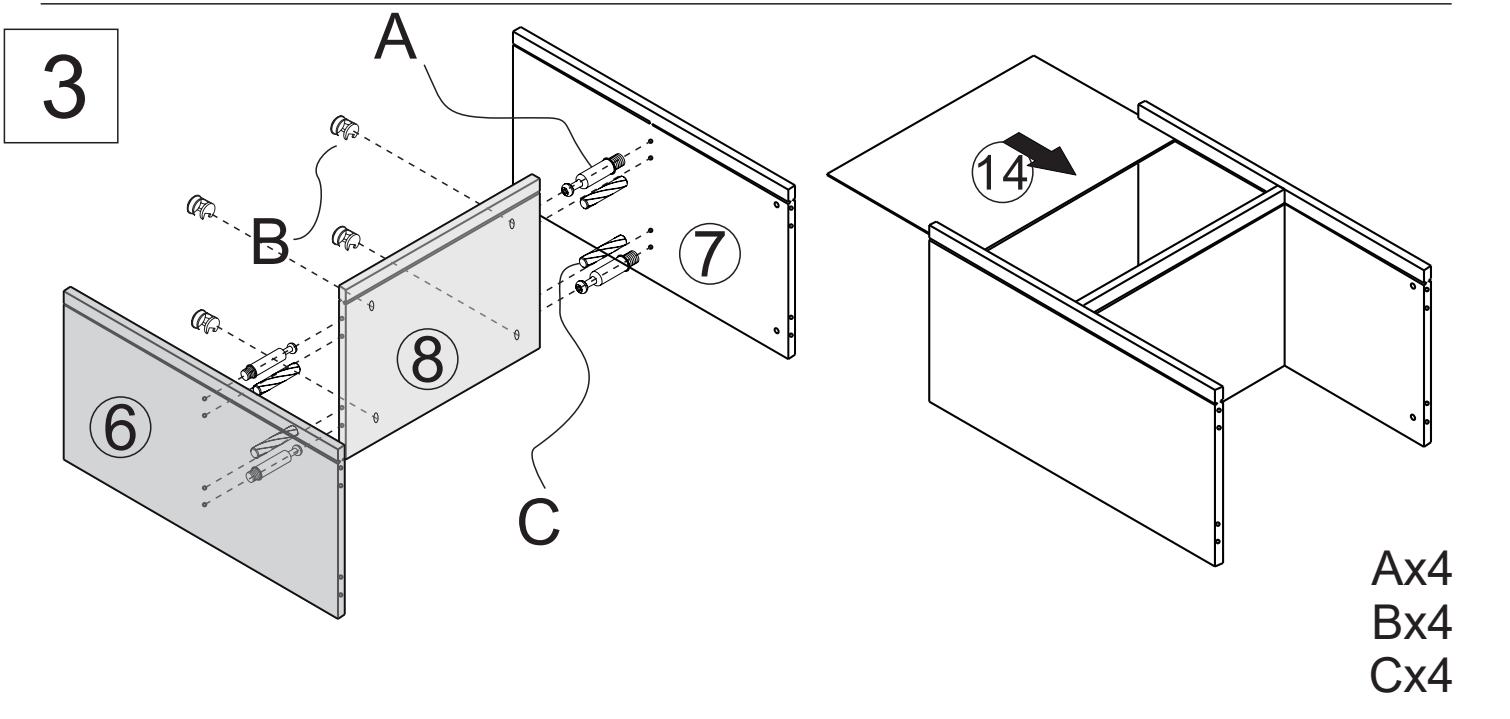
Ax10
Bx6
Cx4

2



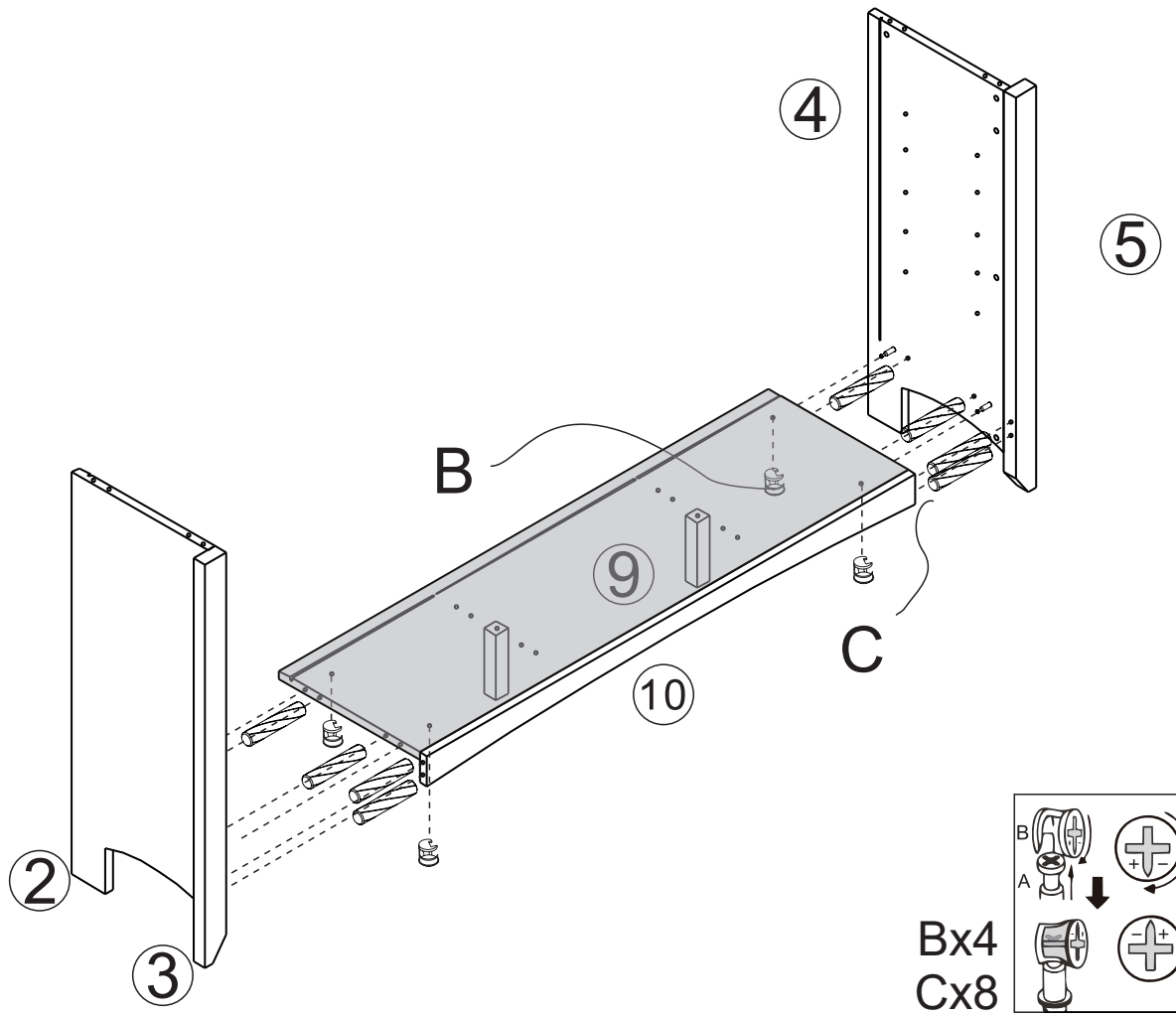
Ax5
Bx4
Cx2
Dx2

3

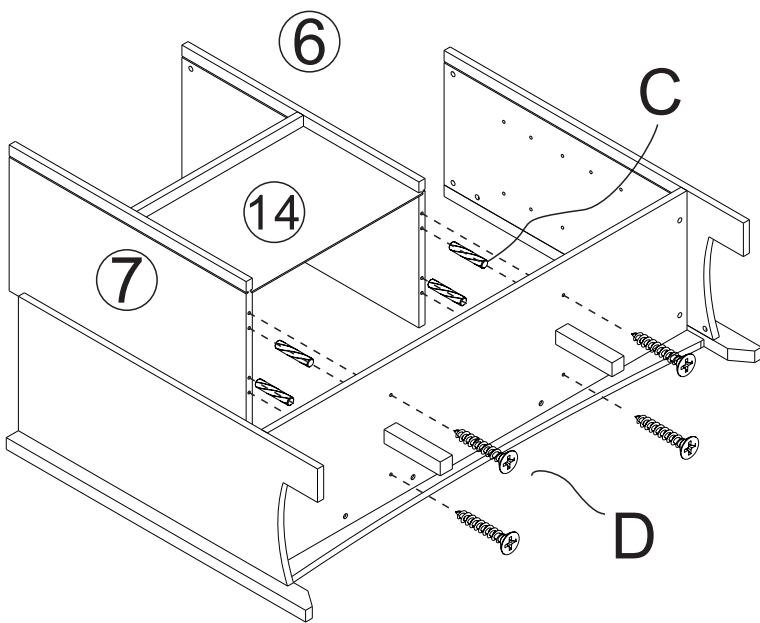


Ax4
Bx4
Cx4

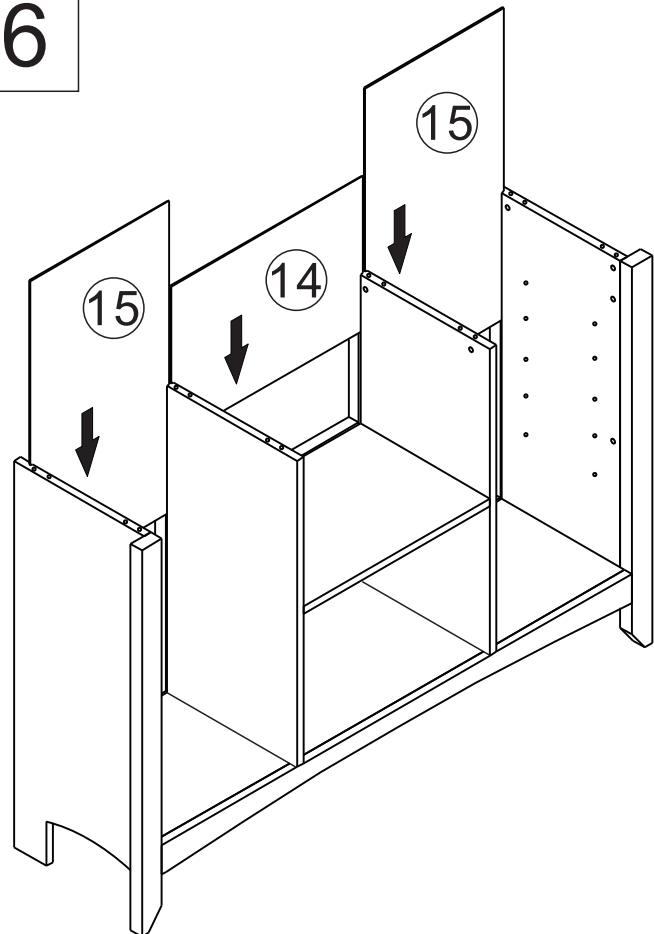
4



5

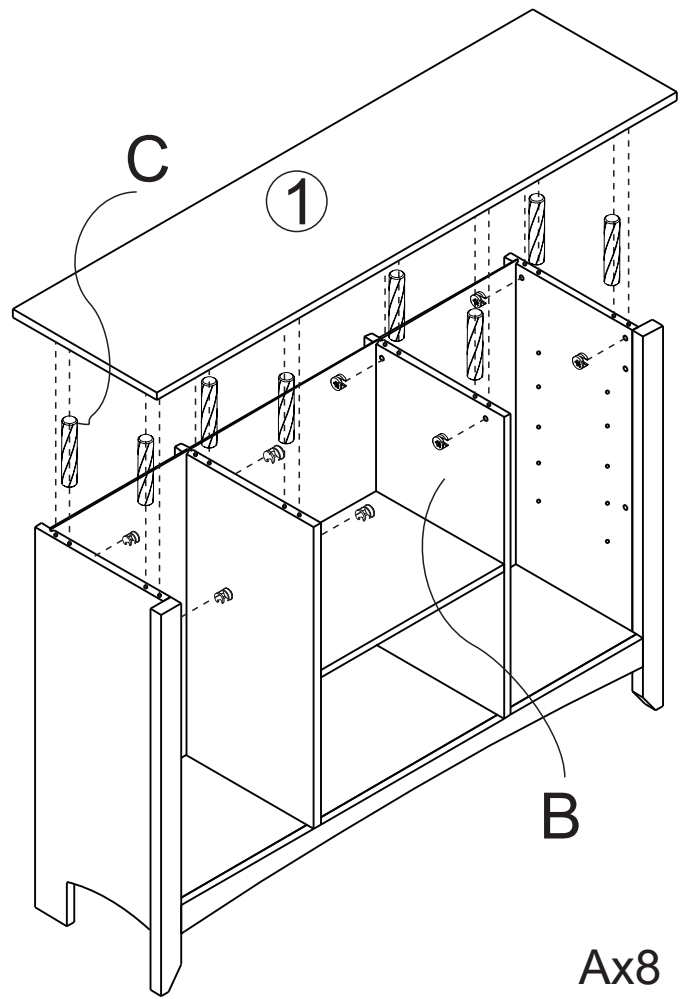
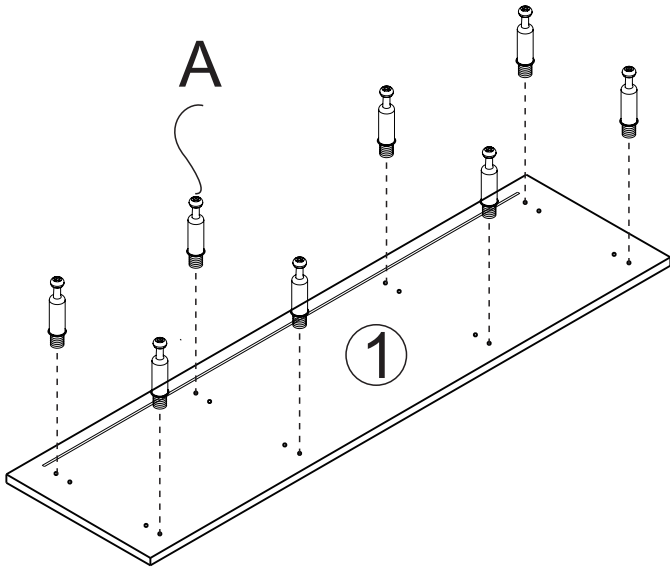


6



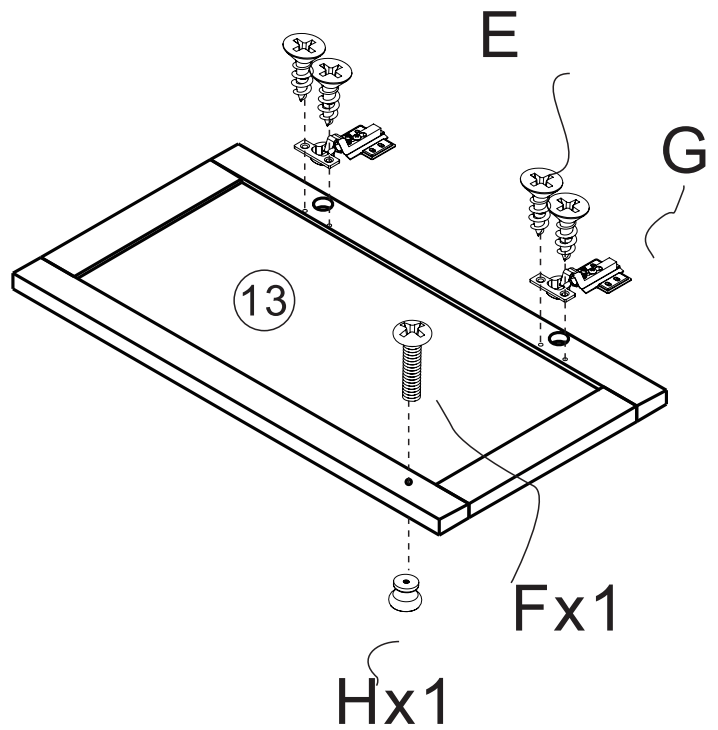
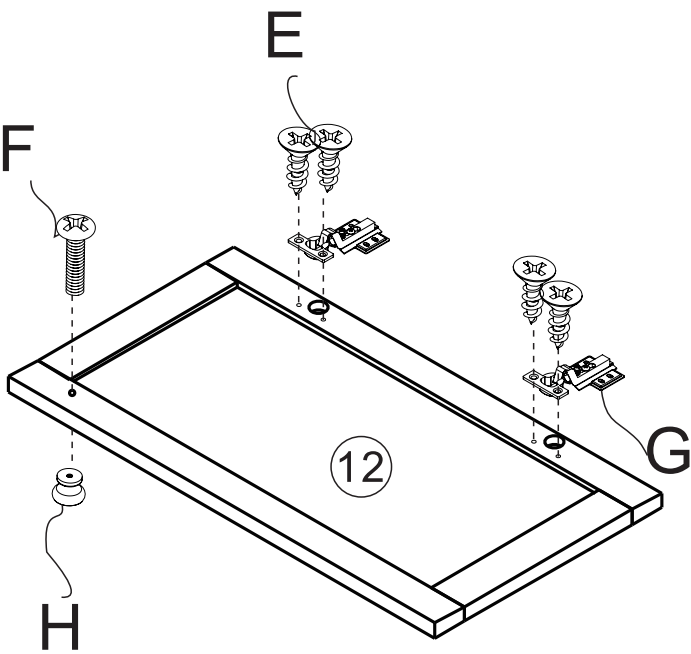
Cx4
Dx4

7



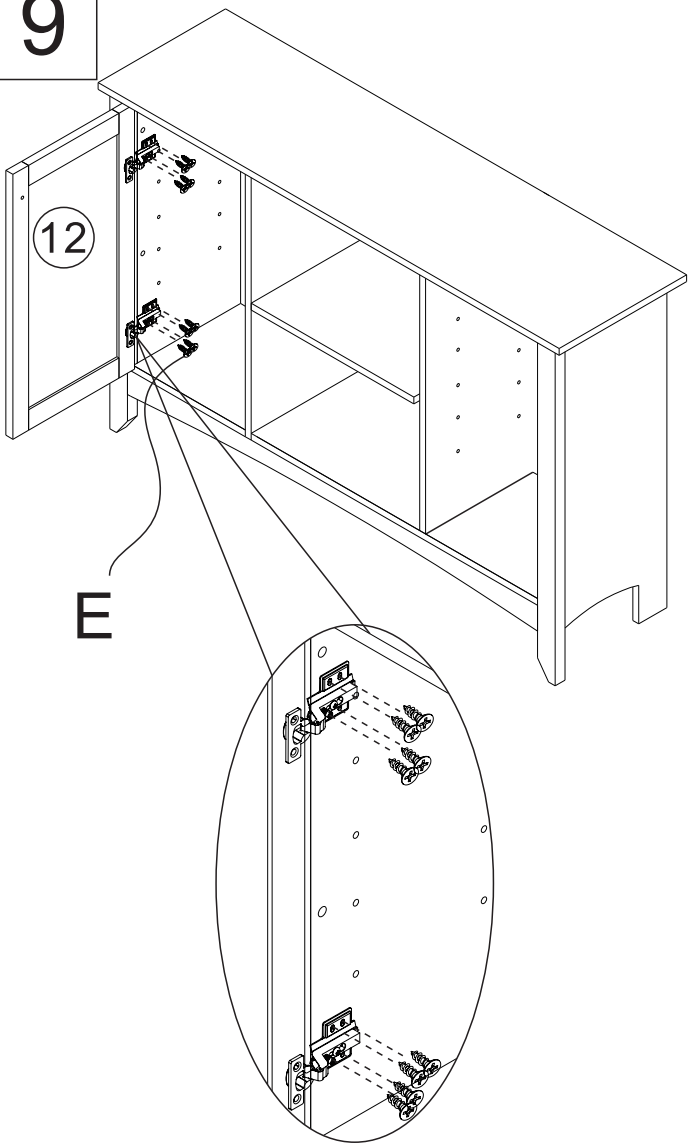
Ax8
Bx8
Cx8

8

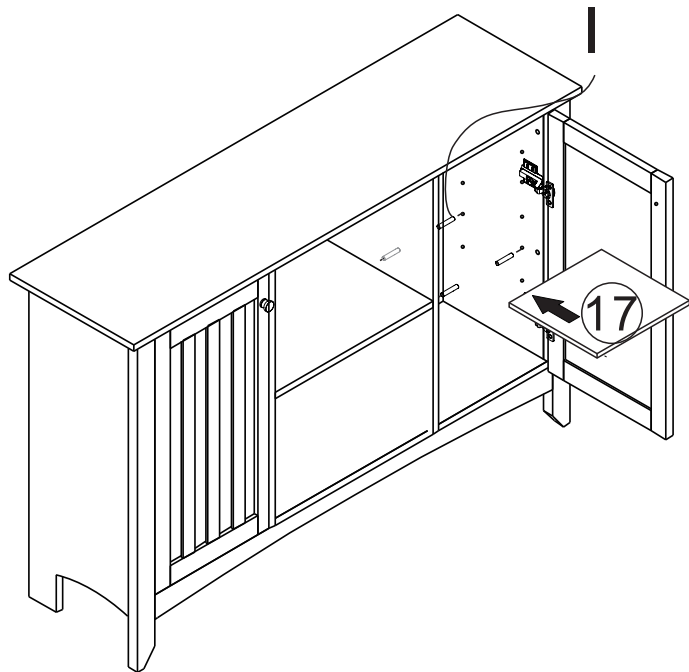
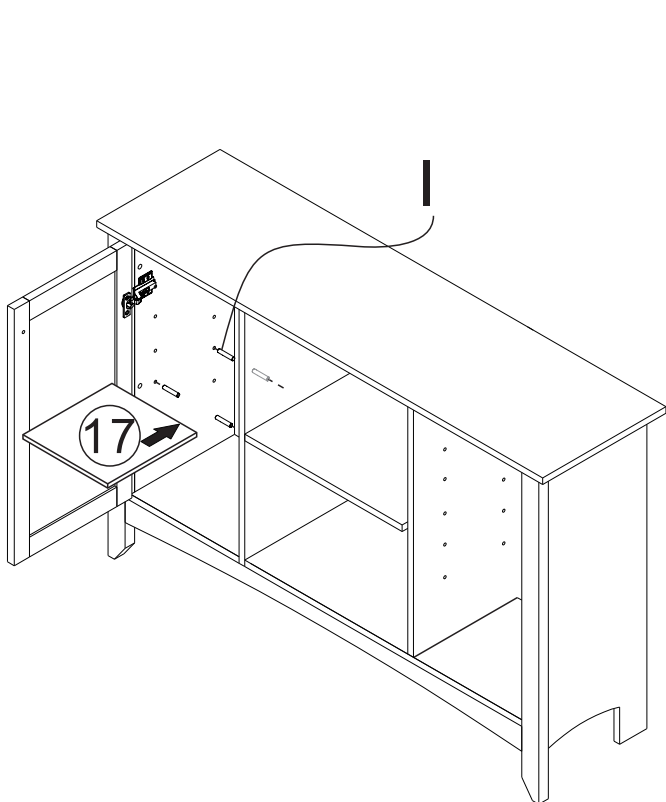
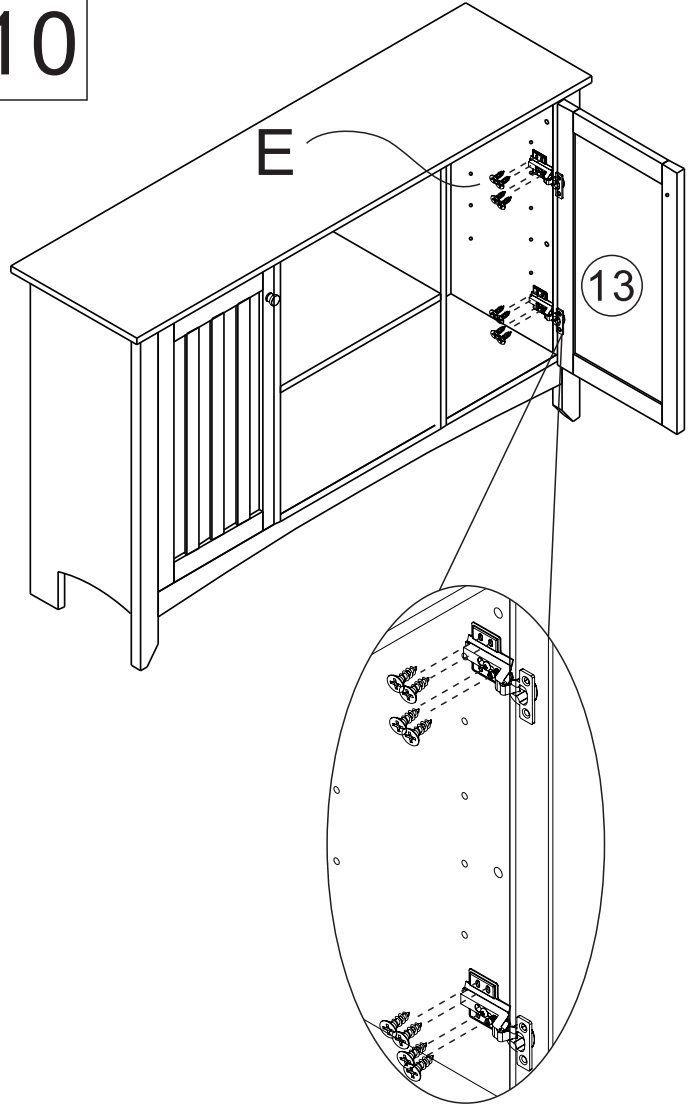


Ex8 Fx2
Hx2 Gx4

9

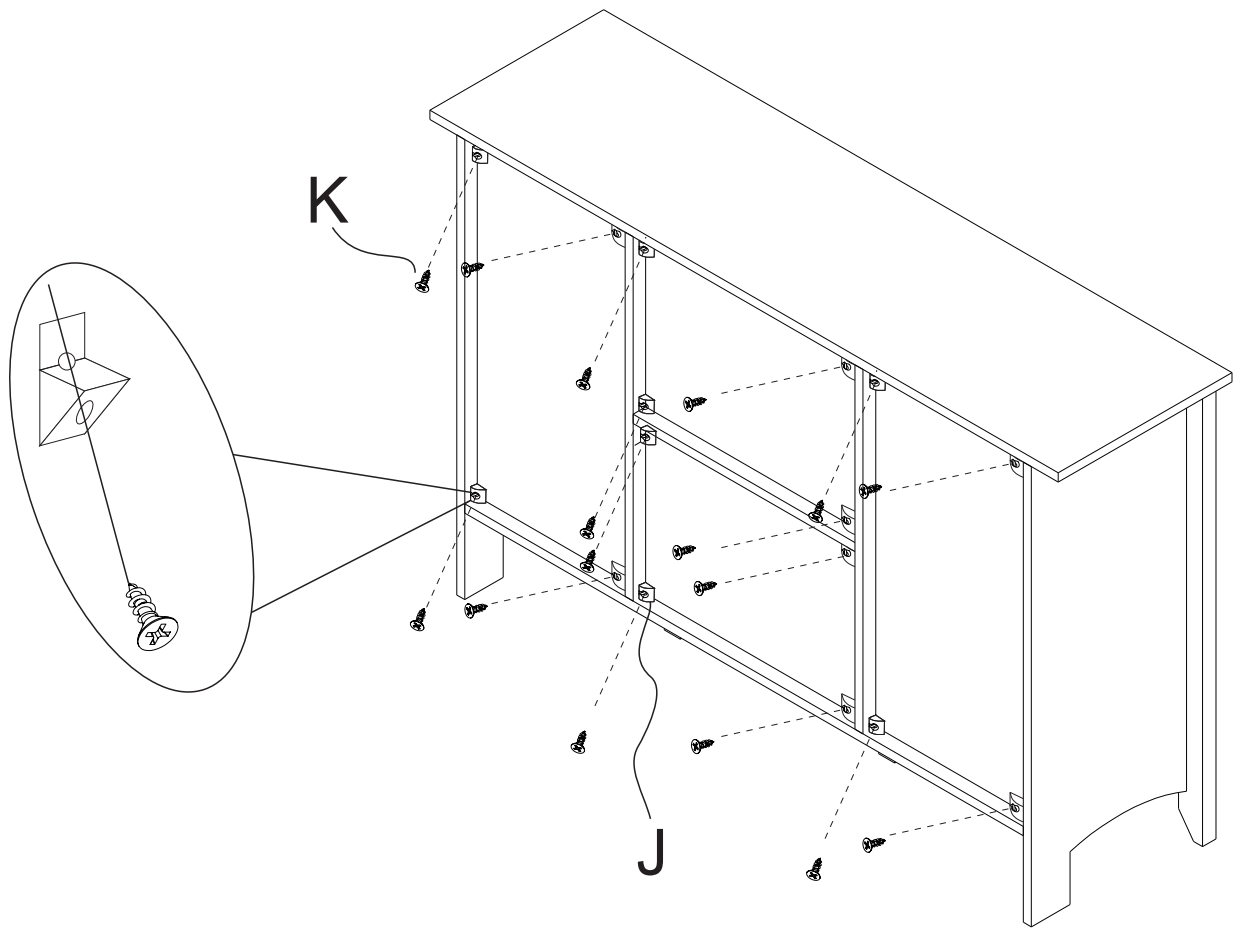


10



Ex8
Ix4

Ex8
Ix4



Kx16
Jx16

