

ASSEMBLY INSTRUCTION

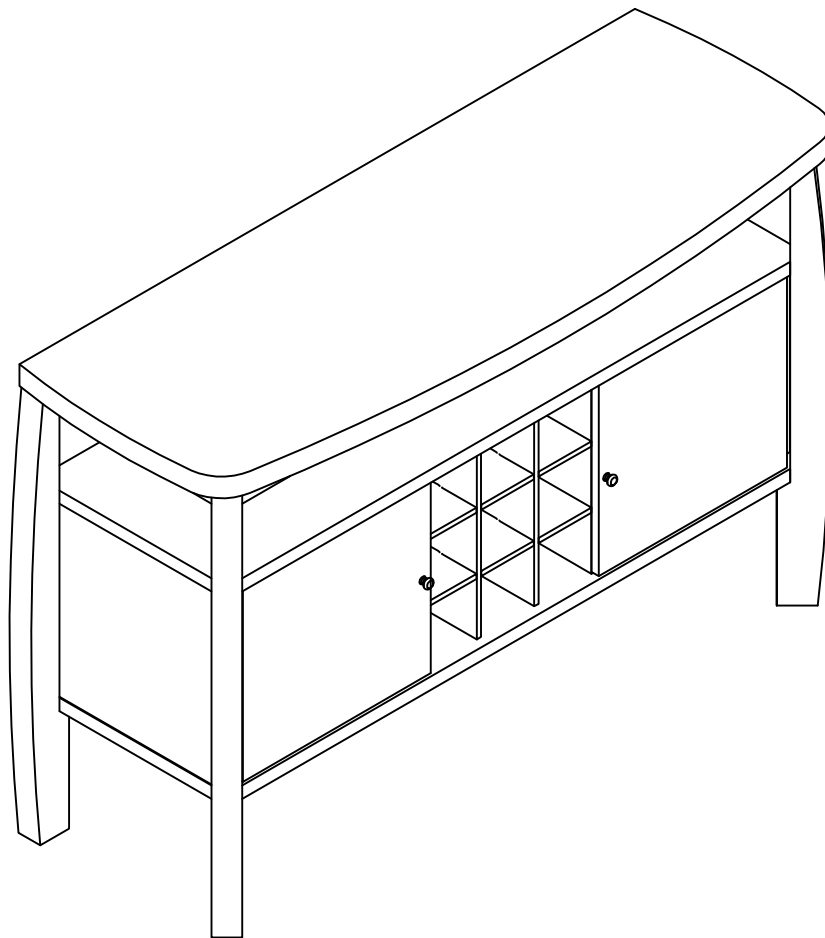
PLEASE READ BEFORE ASSEMBLING!

Tip #1: Make sure you've taken all the pieces and hardware out of its packaging before discarding the box.

Tip #2: Using page 2 and/or page 3 of instruction manual make sure all pieces and hardware are accounted for.

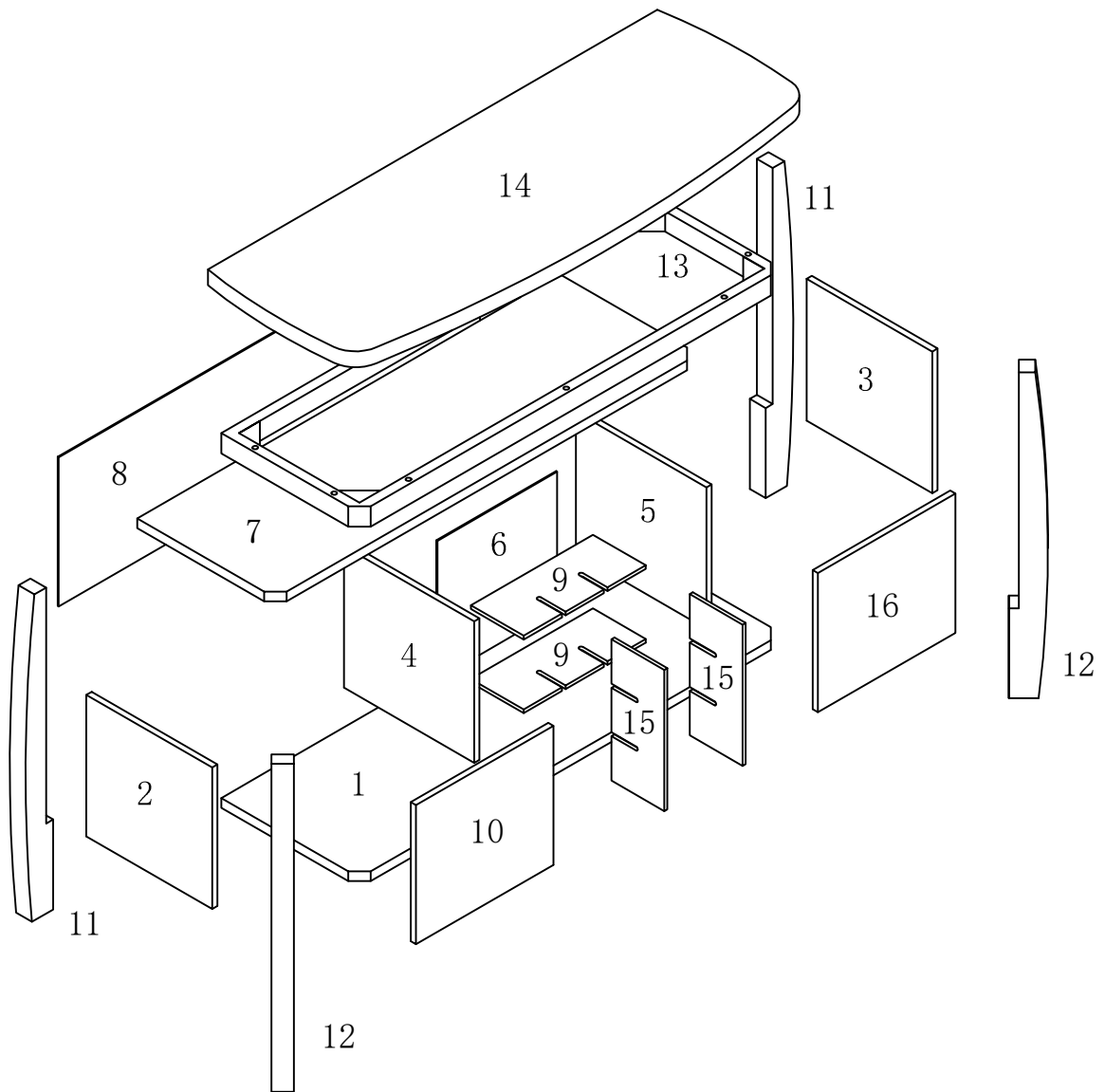
Tip #3: Read manual before assembling, it helps!

ITEM#: 11462



PARTS IDENTIFICATION

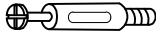


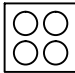
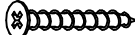

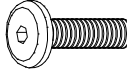





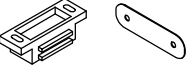





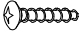

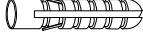


ITEM#: 11462



(1)	1pc	(6)	1pc	(11)	2pcs	(16)	1pc
(2)	1pc	(7)	1pc	(12)	2pcs		
(3)	1pc	(8)	1pc	(13)	1pc		
(4)	1pc	(9)	2pcs	(14)	1pc		
(5)	1pc	(10)	1pc	(15)	2pcs		

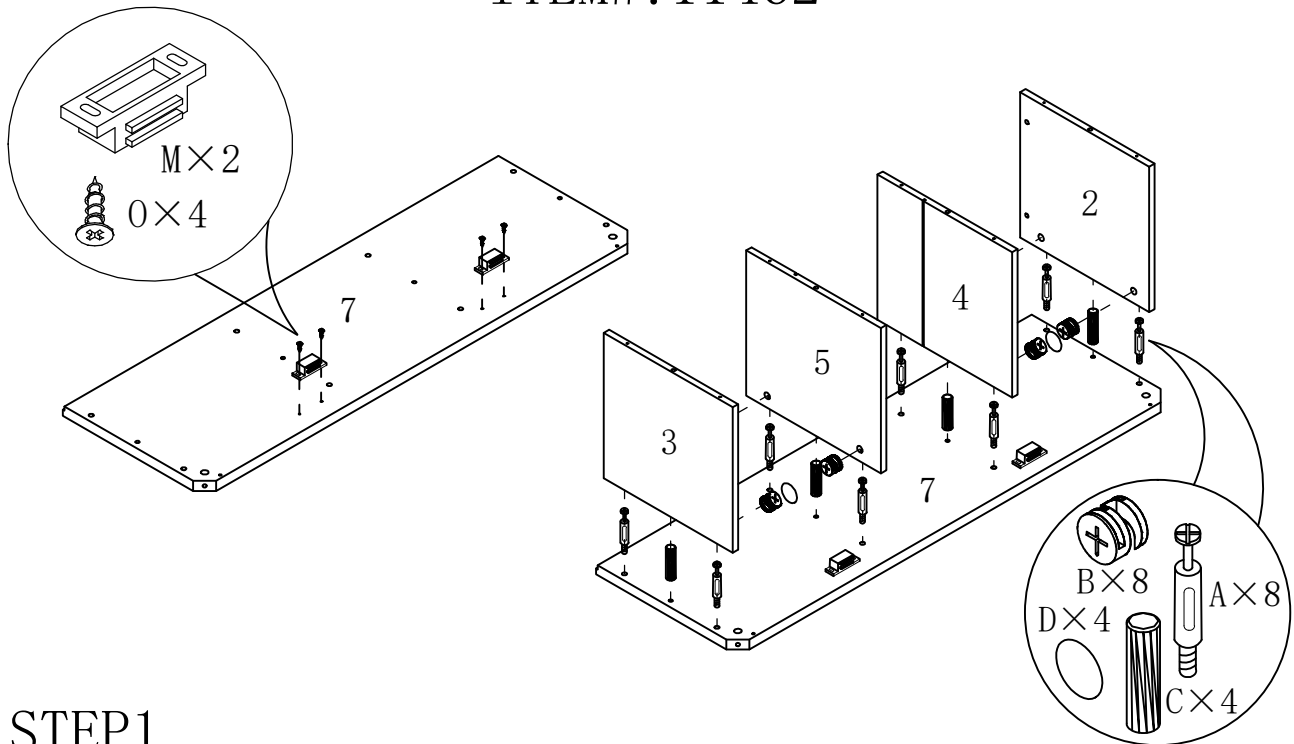
HARDWARE IDENTIFICATION

ITEM#: 11462

A		L29	16pcs
B		$\phi 15$	16pcs
C		$\phi 8 \times 25$	10pcs
D		$\phi 18$	4pcs
E		$\phi 4 \times 40$	18pcs
F		Z1016	32pcs
G		M8 \times 75	2pcs
H		$\phi 8$	2pcs
I		M5	1pc
J			2sets
K		$\phi 30$	2pcs
L		M4 \times 22	2sets
M			2sets
N		3 \times 14	4pcs
O		3 \times 16	4pcs
P		16	4pcs
Q		$\phi 8 \times 25$ (BK)	4pcs
R		197 \times 5 \times 1	1pc
S		4 \times 25	1pc
T		5 \times 40	1pc
U		8 \times 40	1pc
V		12 \times 12 \times 1	2pcs
W		Glue: For securing please apply to wood dowel first before inserting into panel	1pc

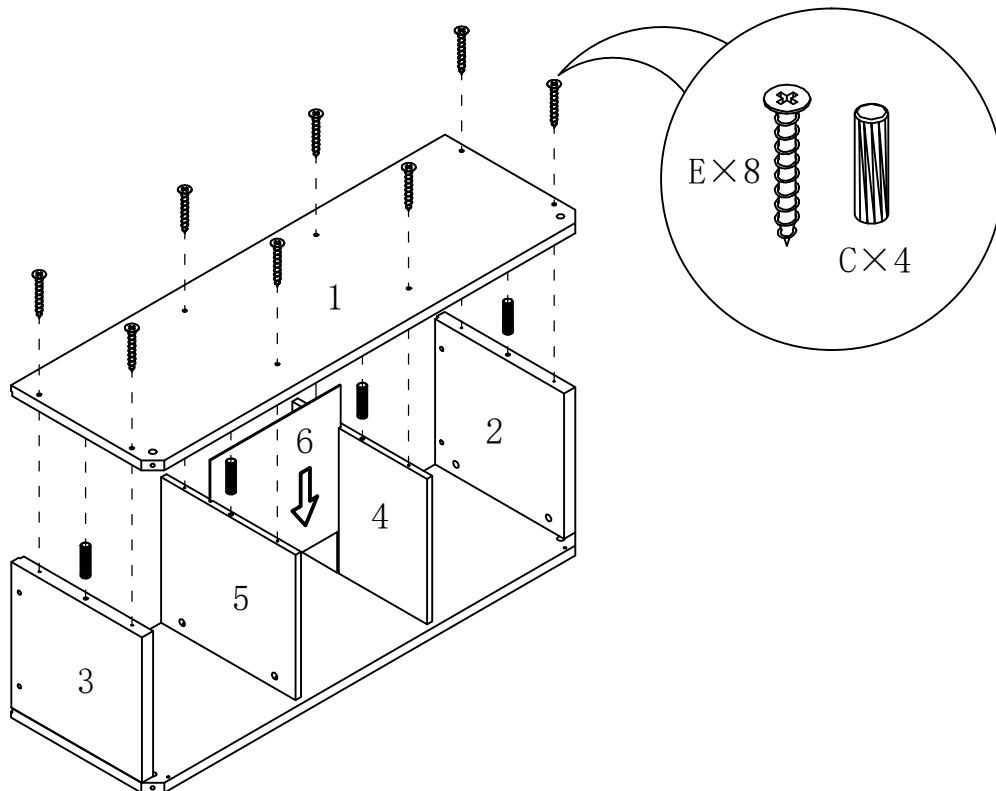
ASSEMBLY INSTRUCTION

ITEM#: 11462



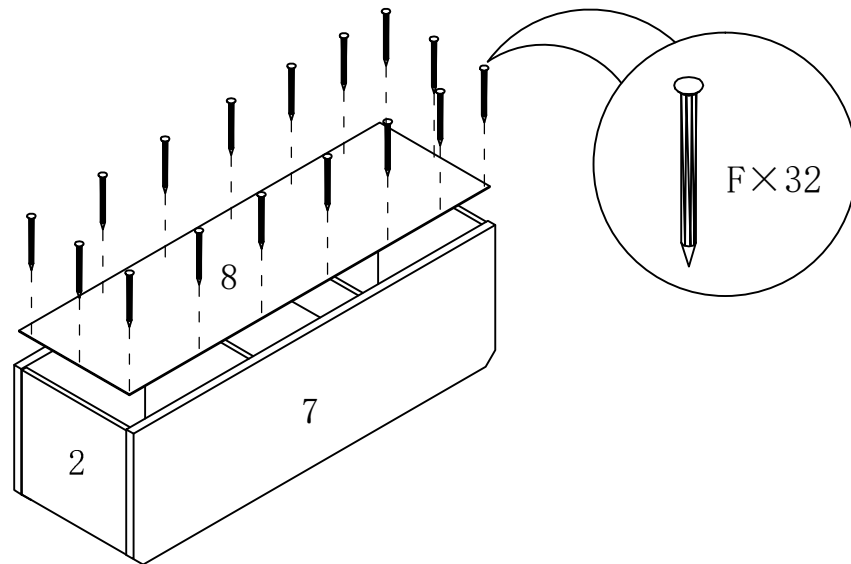
STEP 1

STEP 2



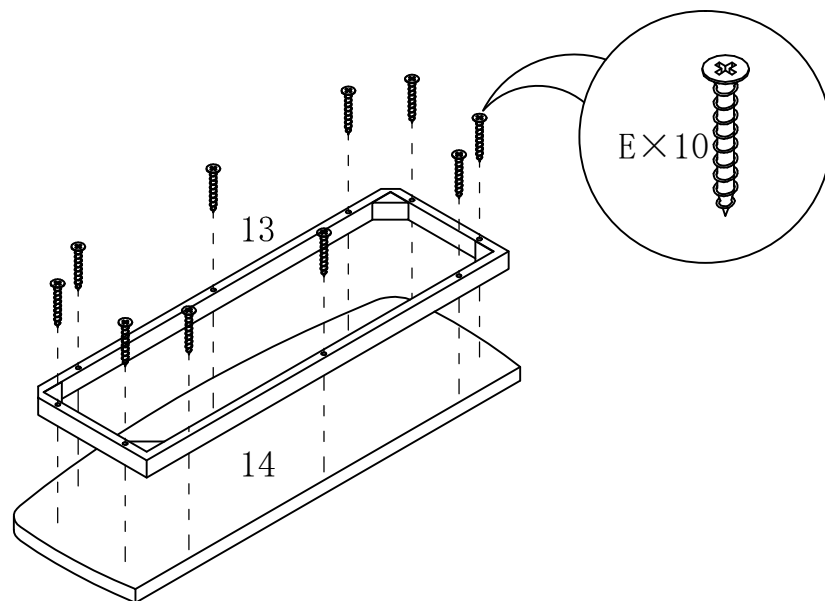
ASSEMBLY INSTRUCTION

ITEM#: 11462



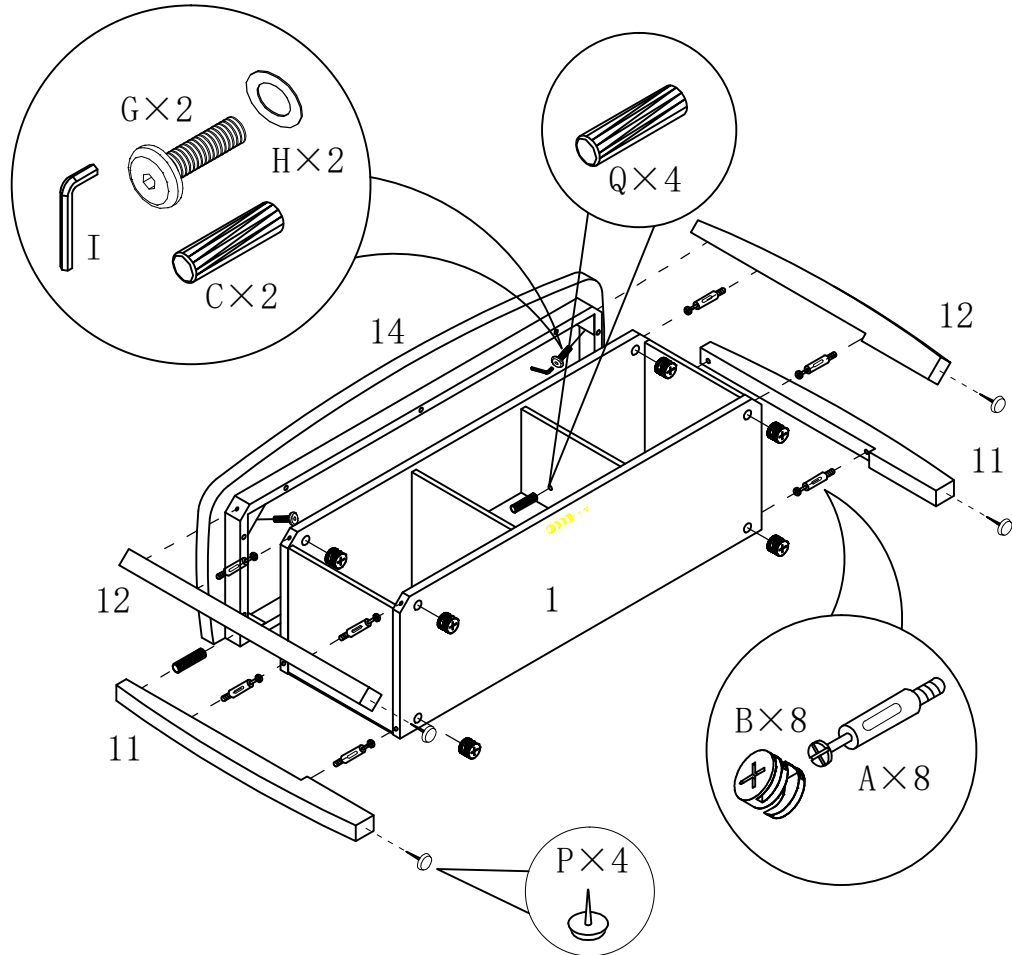
STEP3

STEP4



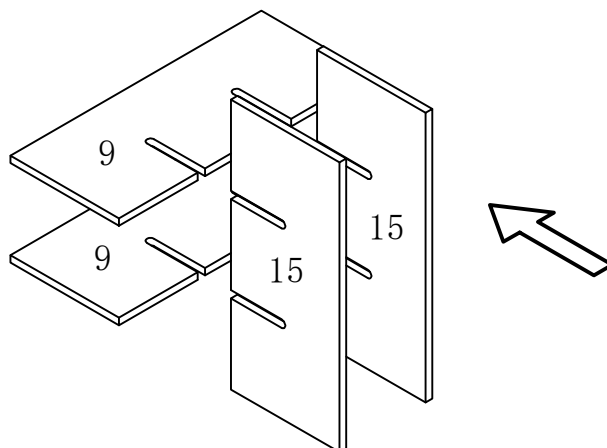
ASSEMBLY INSTRUCTION

ITEM#: 11462



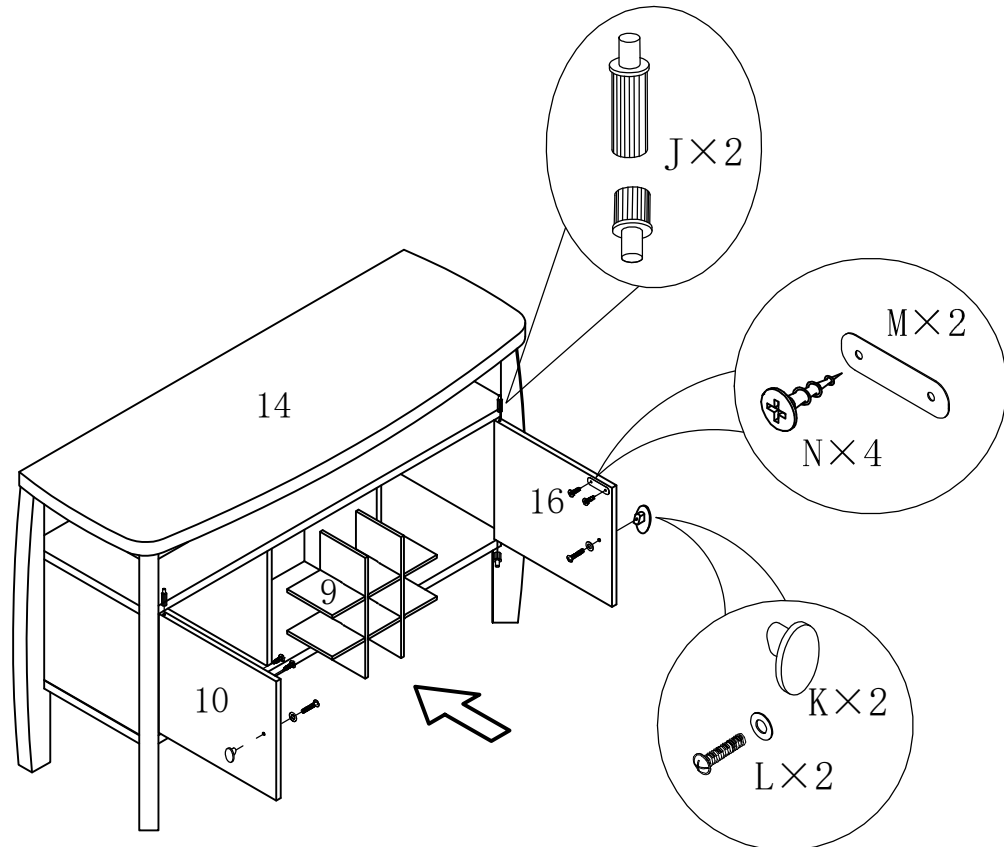
STEP5

STEP6



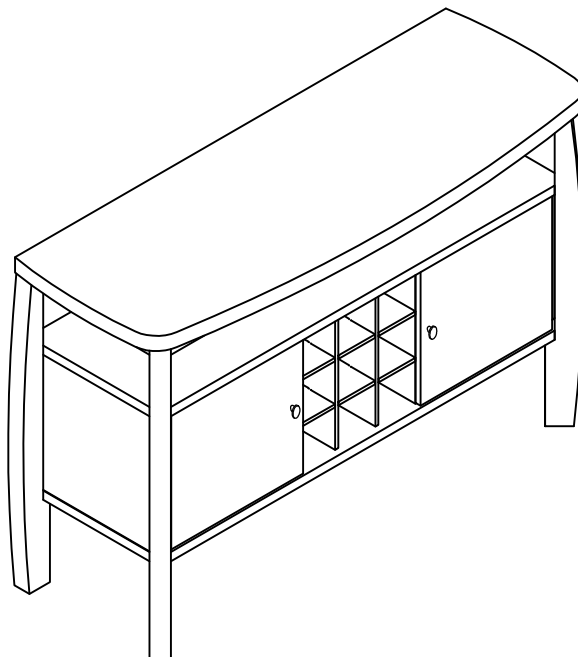
ASSEMBLY INSTRUCTION

ITEM#: 11462



STEP 7

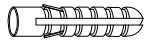
STEP 8



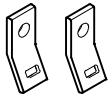
PAGE: 7 OF 7

ANTI-TIPPING STRAP INSTRUCTION

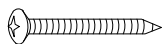
HARDWARE (INCLUDED) :



DRYWALL ANCHOR $\phi 8 \times 40$ X 1PC



METAL BRACKETS $12 \times 12 \times 1$ X 2PCS



DRYWALL SCREW $\phi 5 \times 40$ X 1PC

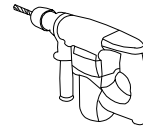


STRAP $197 \times 5 \times 1$ X 1PC



FLATHEAD SCREW $\phi 4 \times 25$ X 1PC

TOOLS NEEDED (NOT INCLUDED)



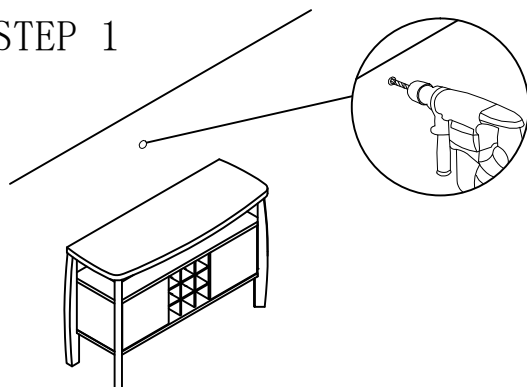
DRILL & DRILL BIT



LIGHT HAMMER

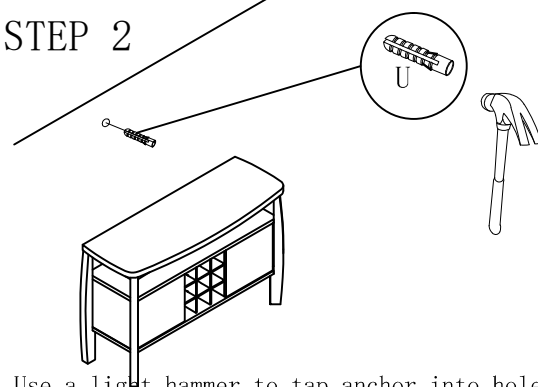
Note: Hardware included only compatible with standard drywalls.

STEP 1



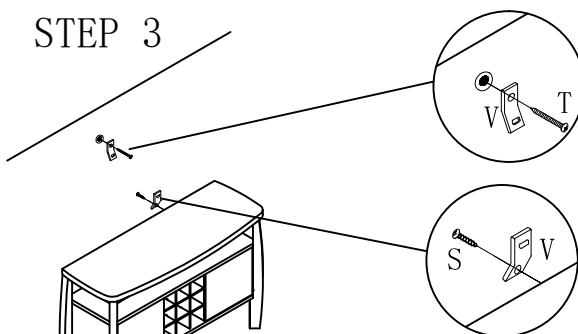
1. Find spot on wall 1" below top of item.
2. Using a drill bit slightly thinner than anchor, drill hole into drywall.

STEP 2



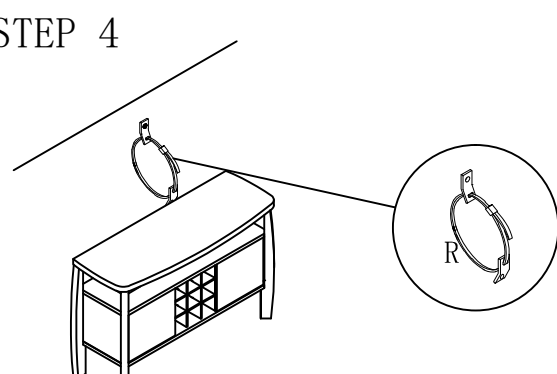
1. Use a light hammer to tap anchor into hole.
2. Anchor should fit snugly. If hole is too small, drill again to increase hole size. Do not force anchor into wall.

STEP 3



1. Insert drywall screw into metal bracket and into drywall anchor.
2. Insert flathead screw into second metal bracket and into back of item along top edge.

STEP 4



1. Insert strap thru bracket attached to wall, then thru bracket on item, and into head of strap.
 2. pull lightly til strap stops.
- Assembly is complete.