

ASSEMBLY INSTRUCTION

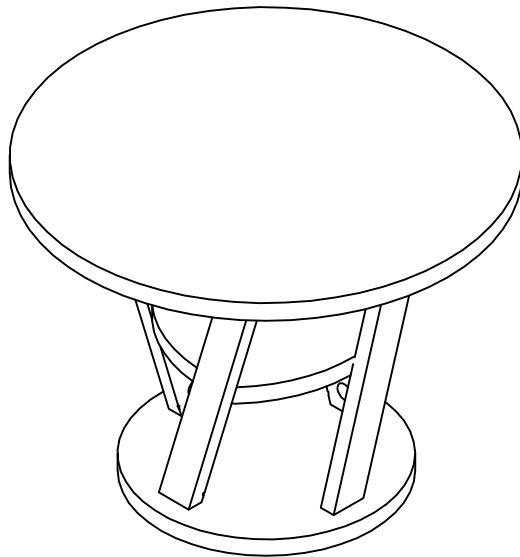
PLEASE READ BEFORE ASSEMBLING!

Tip #1: Make sure you've taken all the pieces and hardware out of its packaging before discarding the box.

Tip #2: Using page 2 and/or page 3 of instruction manual make sure all pieces and hardware are accounted for.

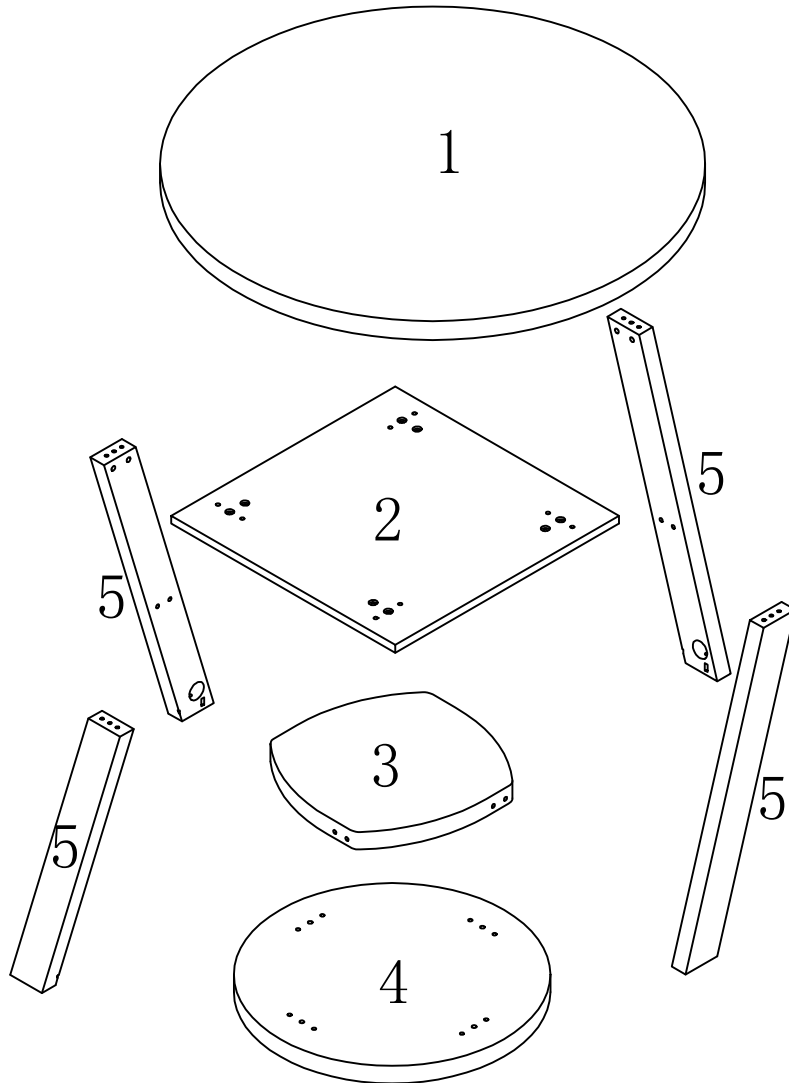
Tip #3: Read manual before assembling, it helps!

ITEM: DT14006



PARTS IDENTIFICATION


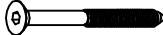












ITEM:DT14006



- | | |
|-----|------|
| (1) | 1pc |
| (2) | 1pc |
| (3) | 1pc |
| (4) | 1pc |
| (5) | 4pcs |

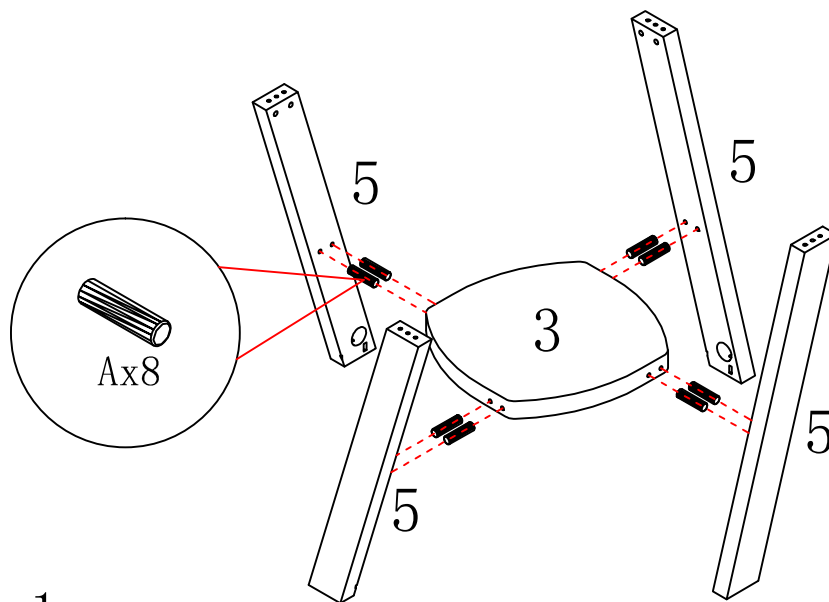
HARDWARE IDENTIFICATION

ITEM: DT14006

A		$\phi 8 \times 25$	20pcs
B		M6 x 55	8pcs
C		$\phi 8$	12pcs
D		M4	1pc
E		$\phi 10 \times 15$	8pcs
F		$\phi 13$	8pcs
G		M8 x 80	4pcs
H		M5	1pc
I		M8	4pcs
J		M8	4pcs
K		M13	1pc
L		$\phi 45$	4pcs
M		M6 x 30	8pcs
N		Glue: For securing please apply to wood dowel first before inserting into panel	1pc

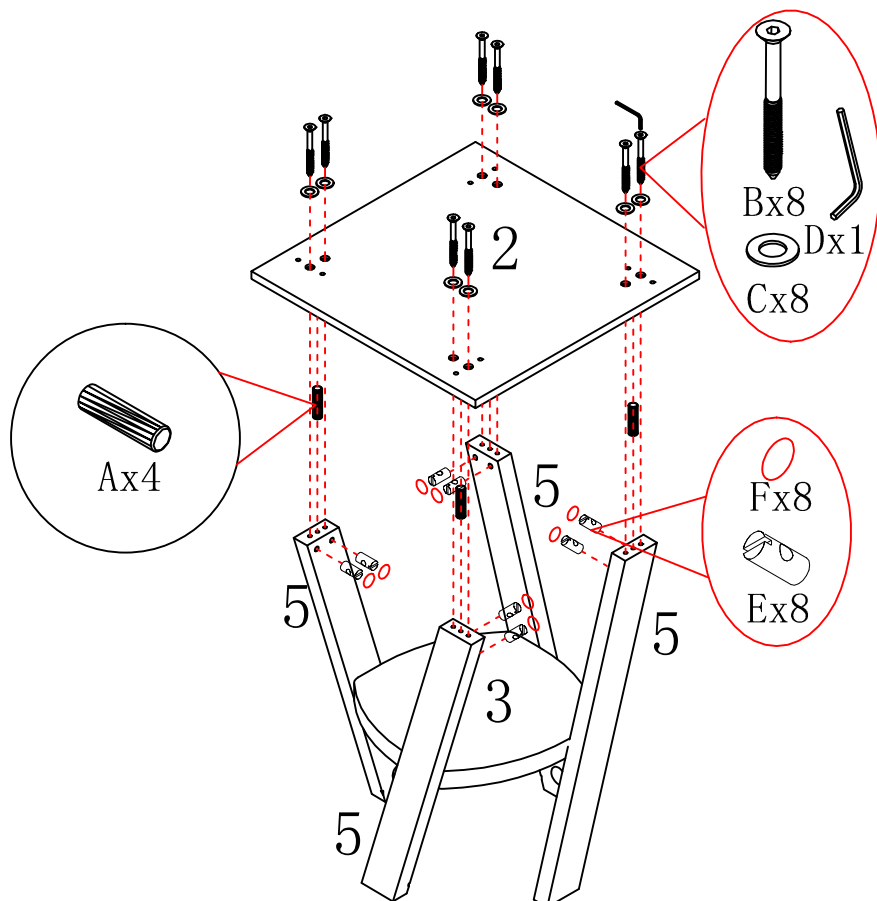
ASSEMBLY INSTRUCTION

ITEM:DT14006



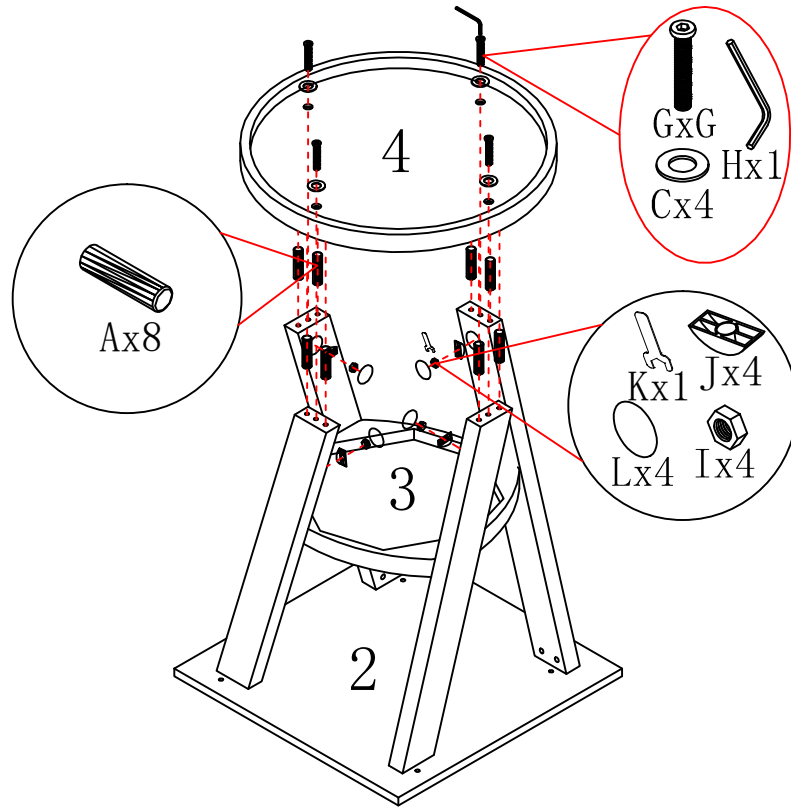
STEP 1

STEP 2



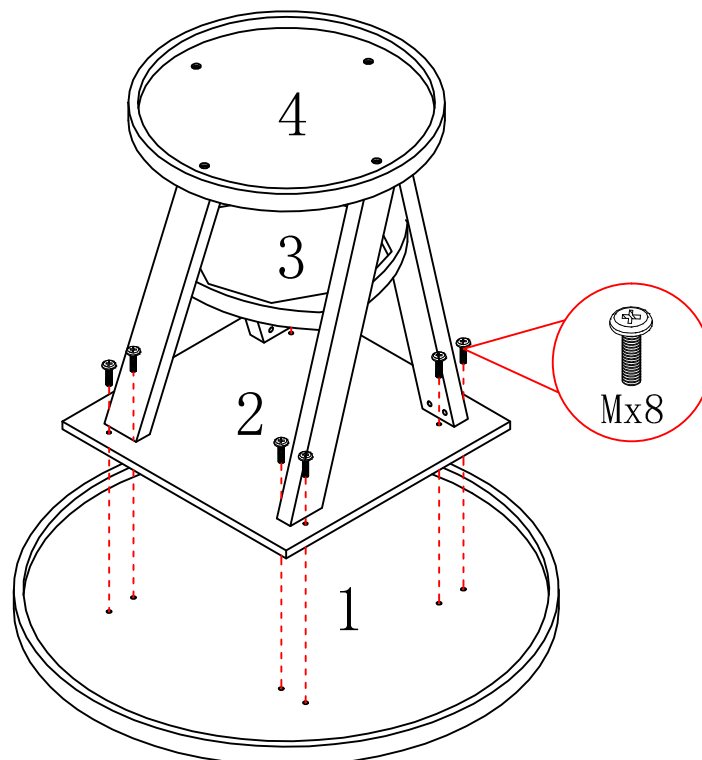
ASSEMBLY INSTRUCTION

ITEM:DT14006



STEP 3

STEP 4



ASSEMBLY INSTRUCTION

ITEM:DT14006

STEP 5

