

# ASSEMBLY INSTRUCTION

---

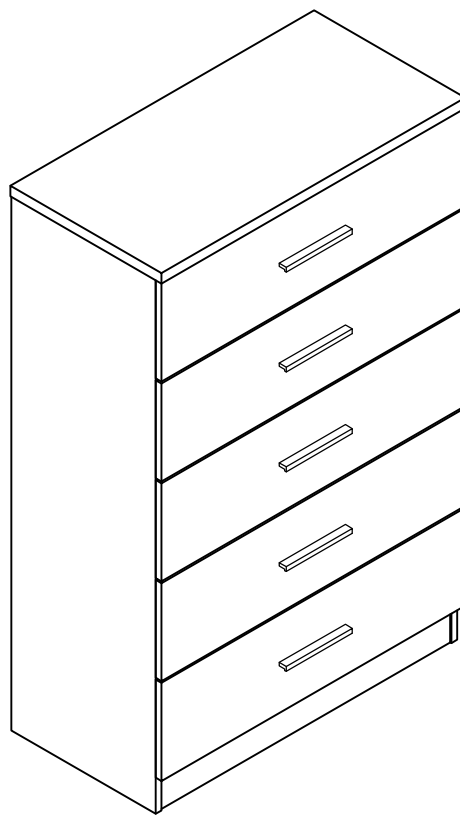
## **PLEASE READ BEFORE ASSEMBLING!**

Tip #1: Make sure you've taken all the pieces and hardware out of its packaging before discarding the box.

Tip #2: Using page 2 and/or page 3 of instruction manual make sure all pieces and hardware are accounted for.

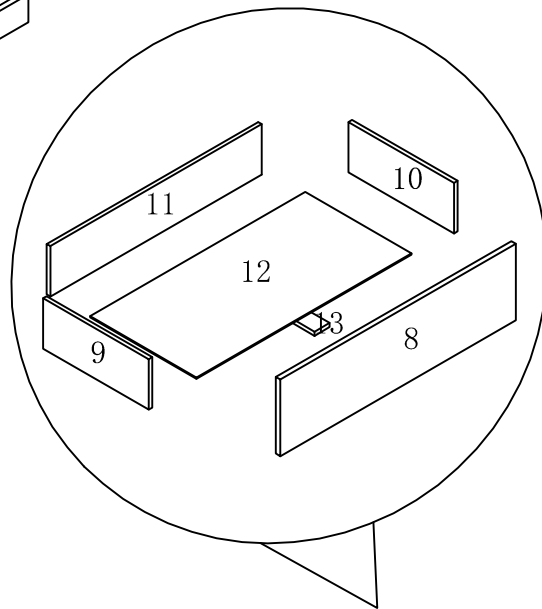
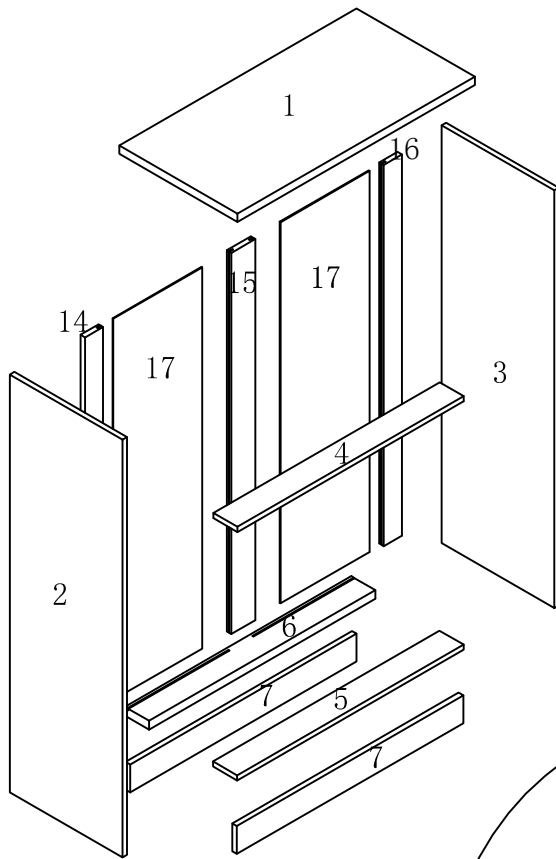
Tip #3: Read manual before assembling, it helps!

ITEM#: MB-9606



# PARTS IDENTIFICATION

ITEM#: MB-9606




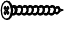
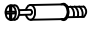


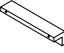


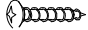
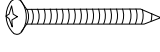
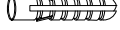



× 5

(1)	1pc	(10)	5pcs
(2)	1pc	(11)	5pcs
(3)	1pc	(12)	5pcs
(4)	1pc	(13)	5pcs
(5)	1pc	(14)	1pc
(6)	1pc	(15)	1pc
(7)	2pcs	(16)	1pc
(8)	5pcs	(17)	2pcs
(9)	5pcs		

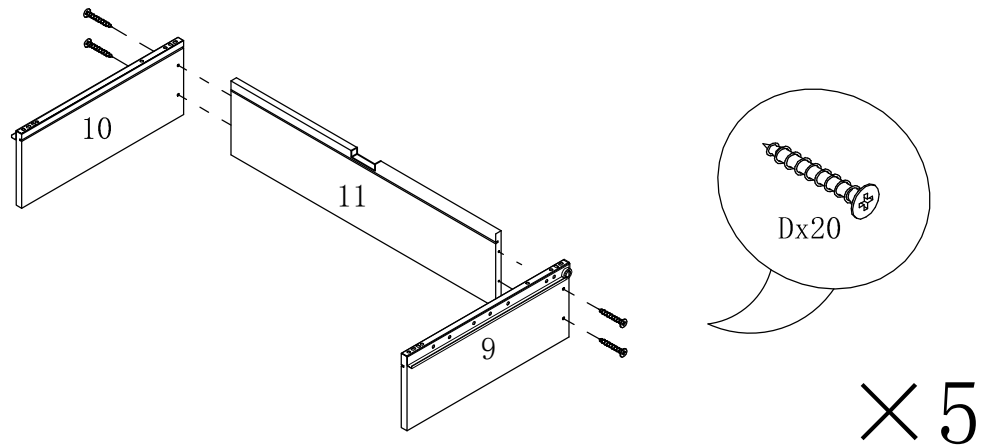
# HARDWARE IDENTIFICATION

ITEM#:MB-9606

A		L29	34pcs
B		φ15	34pcs
C		φ8× -25 -	16pcs
D		φ4× -30 -	30pcs
E		L20	20pcs
F		φ12	20pcs
G		φ6× -30 -	10pcs
H		#128	5pcs
I		M4× -20 -	10pcs
J		197×3×1	1pc
K		12×12×1	2pcs
L		φ4X25	1pc
M		φ5X40	1pc
N		φ8X40	1pc
O		Glue: For securing please apply to wood dowel first before inserting into panel	1pc

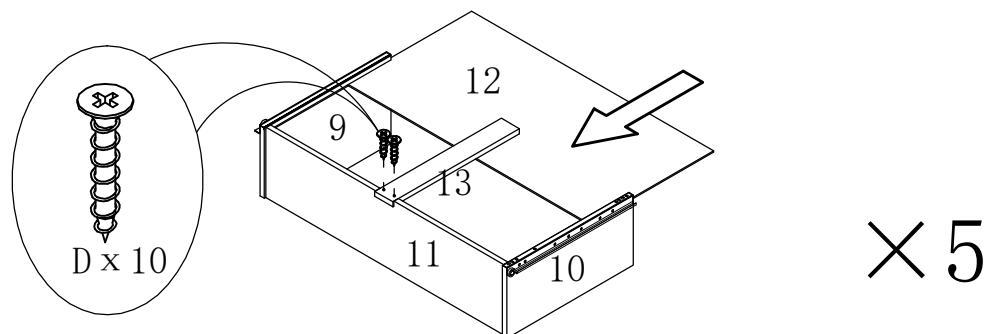
# ASSEMBLY INSTRUCTION

ITEM#: MB-9606

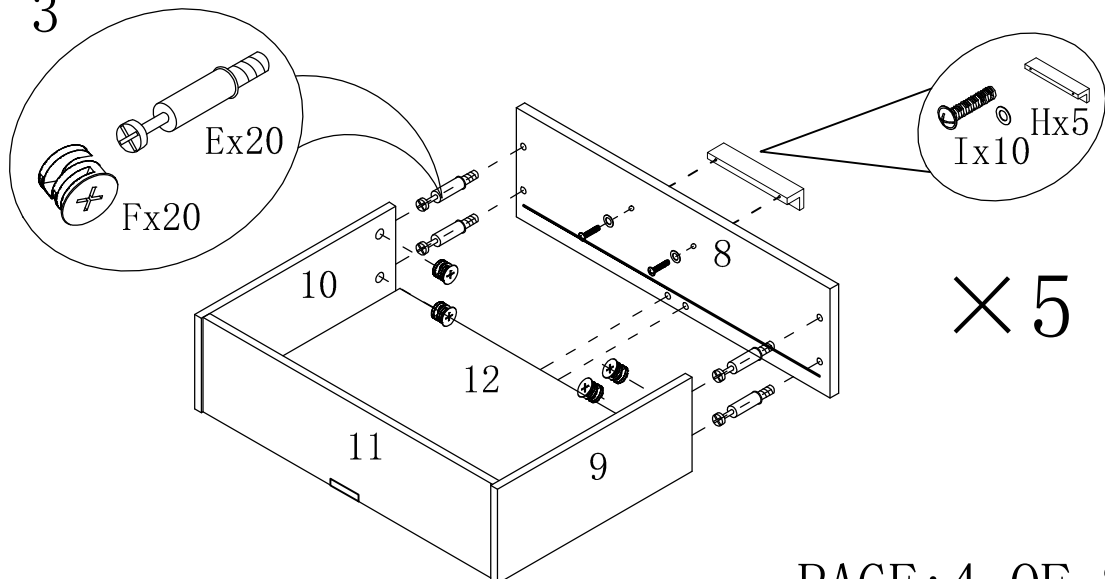


STEP 1

STEP 2



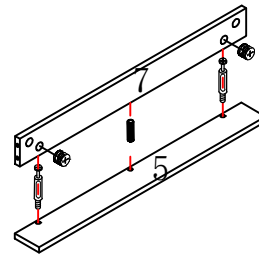
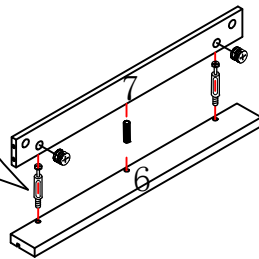
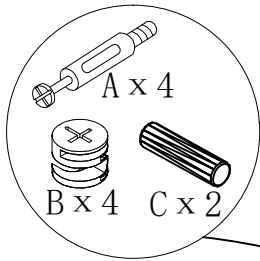
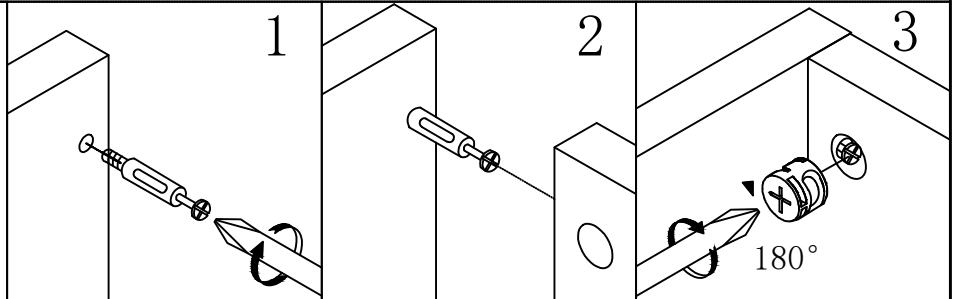
STEP 3



# ASSEMBLY INSTRUCTION

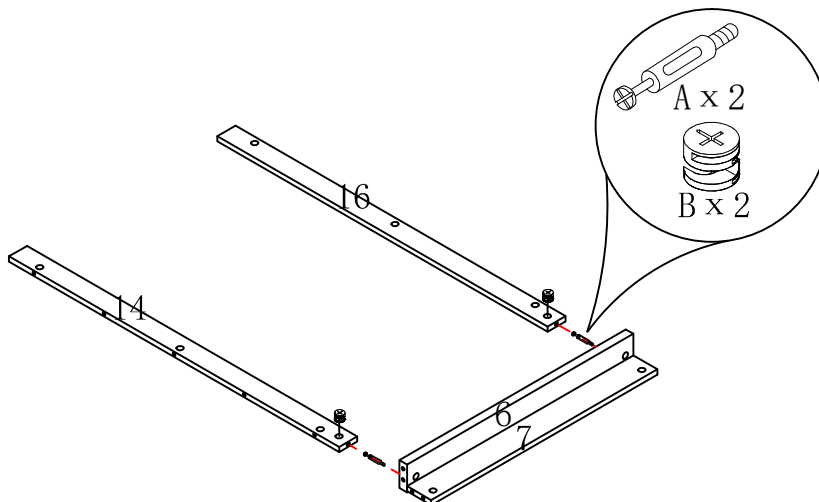
ITEM#: MB-9606

HOW TO



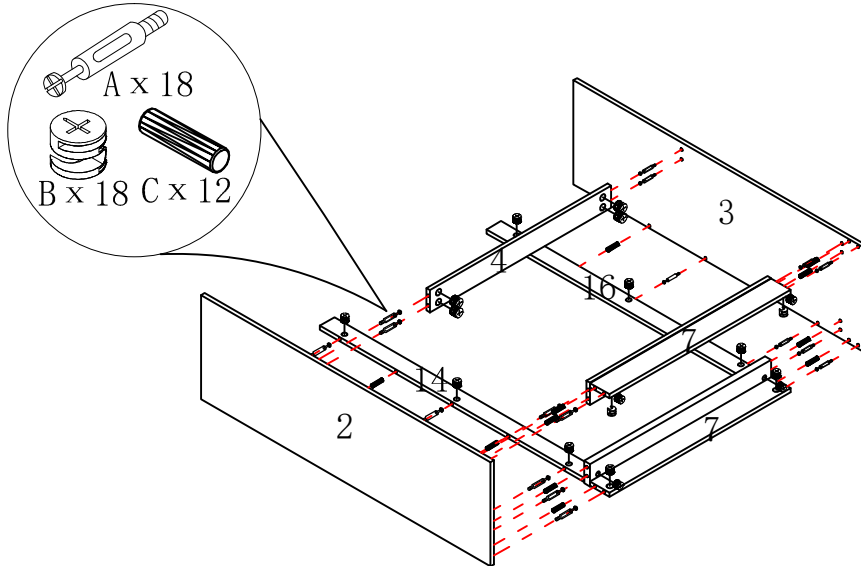
STEP 4

STEP 5



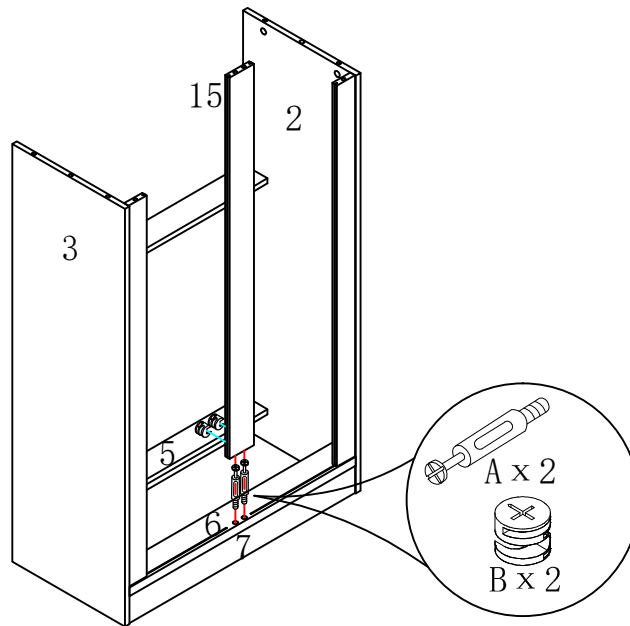
# ASSEMBLY INSTRUCTION

ITEM#: MB-9606



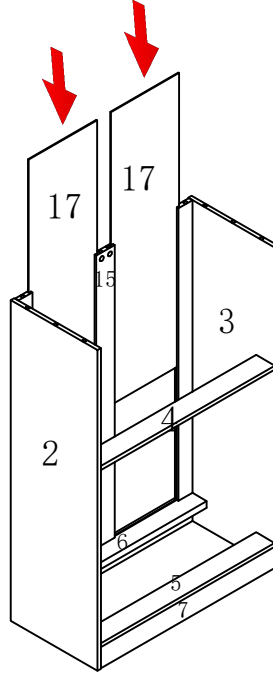
STEP 6

STEP 7



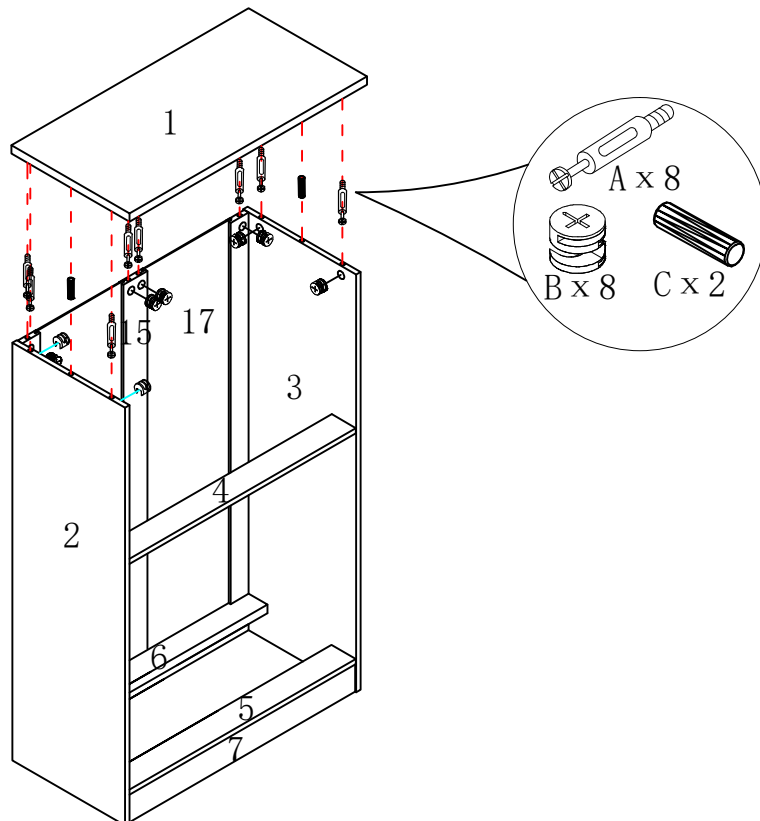
# ASSEMBLY INSTRUCTION

ITEM#: MB-9606



STEP 8

STEP 9



# ASSEMBLY INSTRUCTION

ITEM#: MB-9606

## STEP 10

