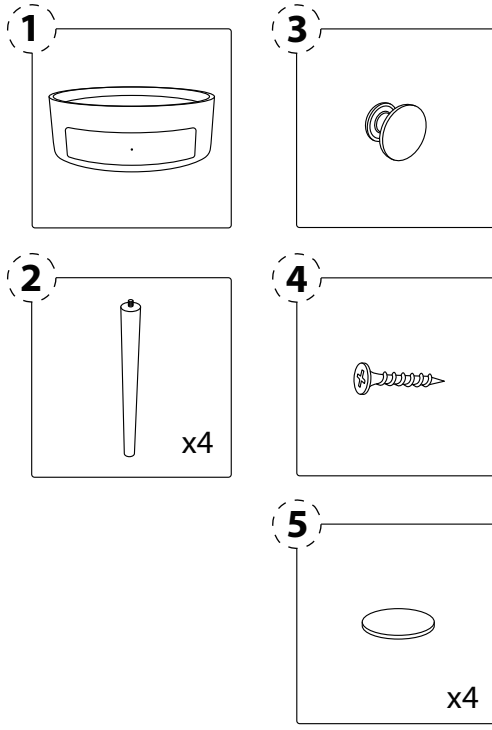


WHAT YOU HAVE

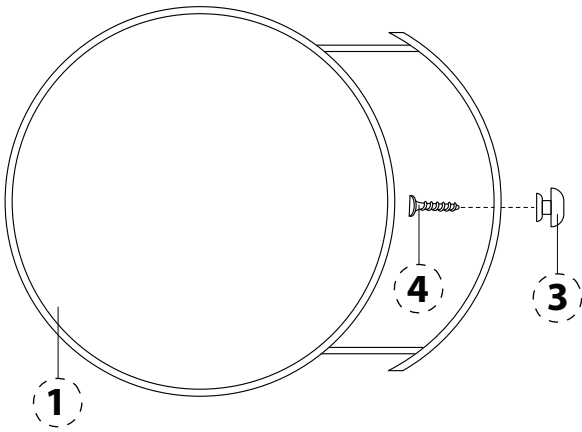


*You will need a Phillips screwdriver (not included)

2

*view from above

screw part 3 and 4 together

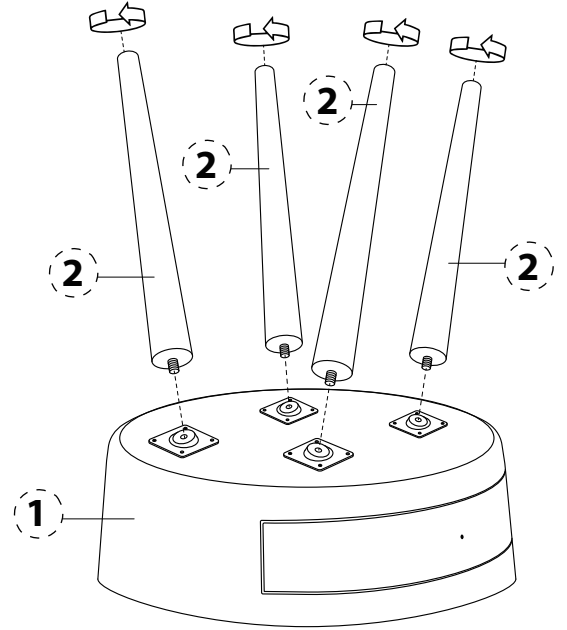


ENJOY YOUR TABLE!

LET'S MAKE IT WORK!

1

screw part 1 and 2 together



3

stick 5 to part 2

